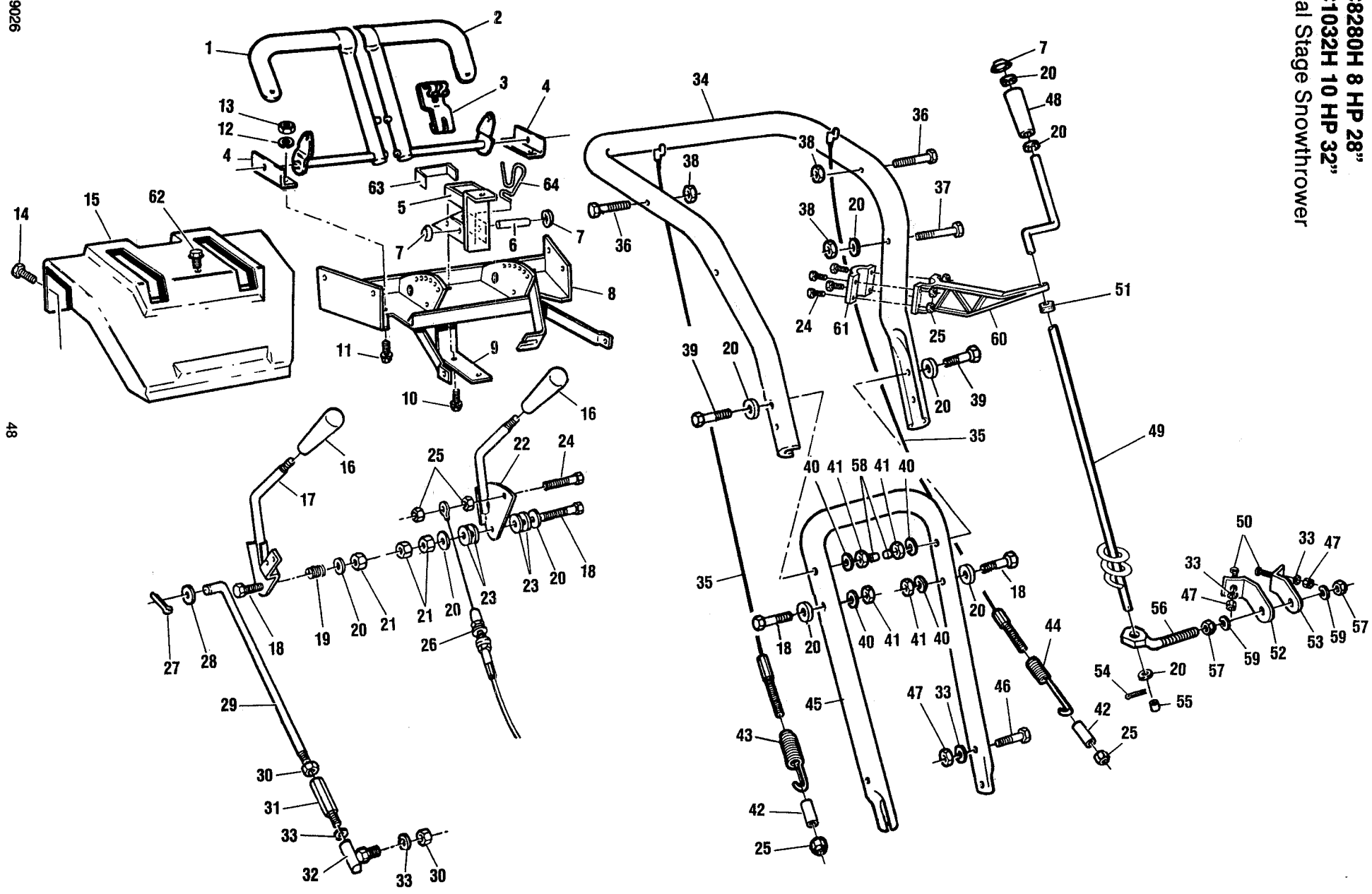


Upper Handle Assembly

SC8280H 8 HP 28"
SC1032H 10 HP 32"
Dual Stage Snowthrower

P/L 669026

48



Upper Handle Assembly

SC8280H 8 HP 28"
SC1032H 10 HP 32"
Dual Stage Snowthrower

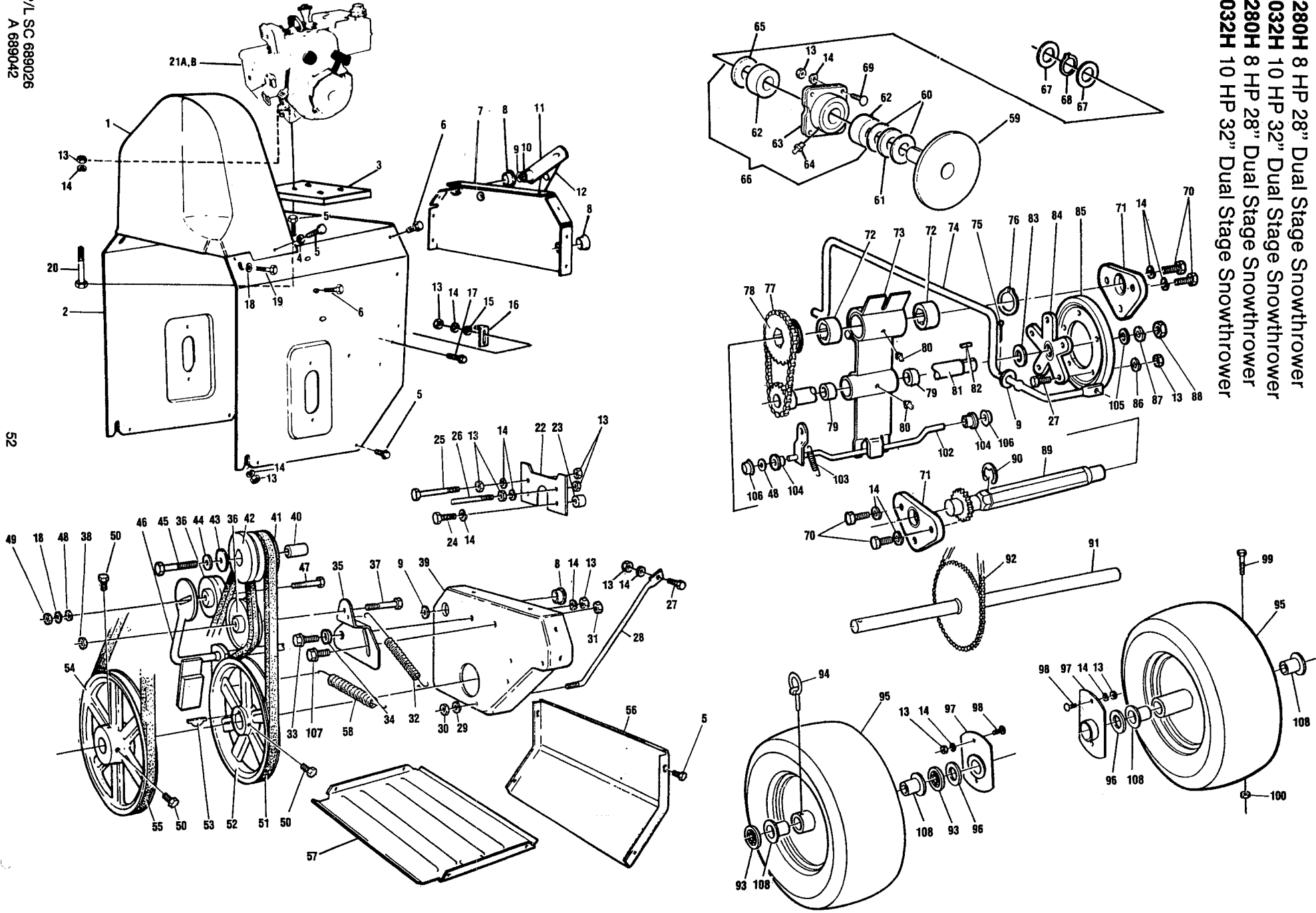
| Ref. No. | Part No. | Description | Ref. No. | Part No. | Description |
|----------|----------|----------------------------------|----------|----------|---|
| 1 | 664722 | Clutch handle R.H. | 34 | 697656 | Upper handle |
| 2 | 664730 | Clutch handle L.H. | 35 | 645655 | Clutch cable |
| 3 | 713180 | Cam lock | 36 | 150250 | 5/16-18 x 1-1/2 bolt |
| 4 | 657361 | Clutch handle bracket | 37 | 312280 | 5/16-18 x 1-3/4 bolt |
| 5 | 666644 | Bracket light | 38 | 715177 | 5/16-18 locknut |
| 6 | 657411 | Pin latch | 39 | 456780 | 3/8-16 x 3 bolt |
| 7 | 152926 | 3/8 cap retainer | 40 | 150185 | 3/8 lockwasher |
| 8 | 664755 | Console bracket remote | 41 | 715391 | 3/8-16 hex nut |
| 9 | 657312 | Bracket console support | 42 | 657270 | Spacer |
| 10 | 315085 | 5/16-18 x 1/2 self tapping screw | 43 | 645622 | Spring auger clutch |
| 11 | 715052 | 1/4-20 x 1/2 bolt | 44 | 707612 | Spring drive clutch |
| 12 | 715094 | 1/4 lockwasher | 45 | 657254 | Lower handle |
| 13 | 310052 | 1/4-20 hex nut | 46 | 312066 | 5/16-18 x 3/4 bolt |
| 14 | 153007 | 1/4-20 x 1/2 self tapping screw | 47 | 310045 | 5/16-18 hex nut |
| 15 | 673475 | Console Remote | 48 | 672253 | Handle crank |
| 16 | 744243 | Control knob | 49 | 663278 | Crank |
| 17 | 657288 | Speed control lever | 50 | 313510 | 5/16-18 x 3/4 carriage bolt |
| 18 | 312322 | 3/8-16 x 1-3/4 bolt | 51 | 672220 | Grommet |
| 19 | 645630 | Spring | 52 | 697664 | Bracket chute rotate L.H. |
| 20 | 715417 | 3/8 flat washer | 53 | 697672 | Bracket chute rotate R.H. |
| 21 | 451195 | 3/8-16 locknut | 54 | 151472 | 3/32 x 1 cotter pin |
| 22 | 657304 | Deflector lever remote | 55 | 672956 | Plastic cap |
| 23 | 645648 | Spring washer | 56 | 664771 | Rod chute control |
| 24 | 150169 | 1/4-20 x 1 bolt | 57 | 157339 | 1/2-20 jam nut |
| 25 | 150391 | 1/4 x 20 locknut | 58 | 672964 | Plastic stop |
| 26 | 645697 | Remote chute cable | 59 | 311035 | 1/2 lockwasher |
| 27 | 715029 | 3/32 x 3/4 cotter pin | 60 | 663252 | Bracket crank |
| 28 | 715185 | 5/16 flat washer | 61 | 663260 | Bracket clamp crank |
| 29 | 657296 | Rod speed control | 62 | 457523 | 5/16-18 x 3/4 self tapping screw |
| 30 | 152934 | 5/16-24 hex nut | 63 | 673483 | Rubber pad |
| 31 | 664763 | Adaptor | 64 | 666651 | Spring cam assist |
| 32 | 707372 | Ball joint | | 630160 | (Not shown) Light kit with out alternator |
| 33 | 311118 | 5/16 lockwasher | | 630137 | with alternator |

Motor Mount Assembly

C8280H 8 HP 28" Dual Stage Snowthrower
C1032H 10 HP 32" Dual Stage Snowthrower
A8280H 8 HP 28" Dual Stage Snowthrower
A1032H 10 HP 32" Dual Stage Snowthrower

P/L SC 689026
A 689042

52



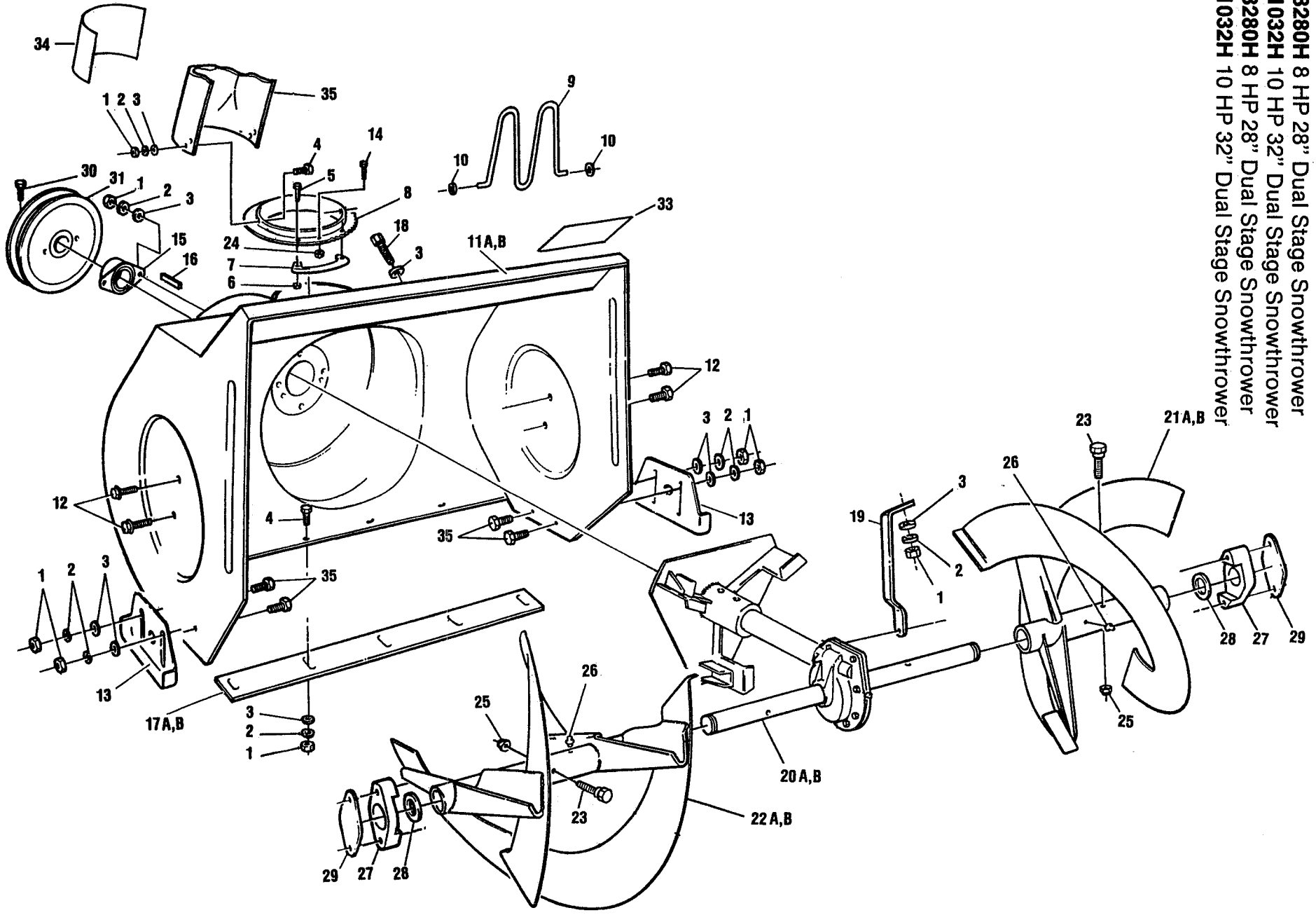
Motor Mount Assembly

C8280H 8 HP 28" Dual Stage Snowthrower
C1032H 10 HP 32" Dual Stage Snowthrower
A8280H 8 HP 28" Dual Stage Snowthrower
A1032H 10 HP 32" Dual Stage Snowthrower

| Ref. No. | Part No. | Description | Ref. No. | Part No. | Description |
|----------|----------|----------------------------------|----------|----------|--|
| 1 | 672246 | Belt cover (black) | 54 | 419713 | Auger pulley 8.4" |
| 2 | 697771 | Motor mount frame | 55 | 707687 | Belt auger drive |
| 3 | 662999 | Engine riser | 56 | 663245 | Rear panel |
| 4 | 715300 | 1/4 flat washer | 57 | 663054 | Bottom panel |
| 5 | 153007 | 1/4-20 x 1/2 self tapping screw | 58 | 664813 | Spring auger brake |
| 6 | 315085 | 5/16-18 x 1/2 self tapping screw | 59 | 729905 | Friction disc assembly |
| 7 | 697789 | End plate | 60 | 152959 | Race thrust |
| 8 | 672261 | Plastic bushing | 61 | 707562 | Needle bearing |
| 9 | 460824 | 1/2 flat washer | 62 | 423228 | Needle bearing |
| 10 | 153106 | 5/32 x 7/8 roll pin | 63 | 707711 | Spindle housing |
| 11 | 662973 | Lever auger clutch | 64 | 707729 | Grease fitting |
| 12 | 662981 | Lever clutch cable | 65 | 707760 | Seal |
| 13 | 310045 | 5/16-18 hex nut | 66 | 707570 | Spindle housing |
| 14 | 311118 | 5/16 lockwasher | 67 | 461830 | Race thrust |
| 15 | 715185 | 5/16 flat washer | 68 | 153296 | 3/4 ring retainer |
| 16 | 662916 | Bracket clutch adjustment | 69 | 313510 | 5/16-18 x 3/4 carriage bolt |
| 17 | 313510 | 5/16-18 x 3/4 carriage bolt | 70 | 312082 | 5/16-18 x 1/2 bolt |
| 18 | 150185 | 3/8 lockwasher | 71 | 707737 | Drive bushing |
| 19 | 157347 | 3/8-16 x 1 self tapping screw | 72 | 423475 | Drive shaft hex bearing |
| 20 | 157644 | 5/16-18 x 2-1/2 bolt GR 5 | 73 | 428425 | Clutch plate |
| 21A | | 8 HP Tecumseh engine | 74 | 763342 | Yoke speed |
| 21B | | 10 HP Tecumseh engine | 75 | 715029 | 3/32 x 3/4 cotter pin |
| 22 | 663005 | Belt guide plate | 76 | 790709 | Retainer |
| 23 | 153569 | Spacer | 77 | 707984 | Chain |
| 24 | 153064 | 5/16-24 x 1 bolt | 78 | 707976 | Drive sprocket |
| 25 | 154146 | 5/16-18 x 3 bolt | 79 | 664821 | Bearing clutch |
| 26 | 666669 | Belt guide | 80 | 415737 | Grease fitting |
| 27 | 312066 | 5/16-18 x 1-3/4 bolt | 81 | 664342 | Shaft gear assembly |
| 28 | 783845 | Rod spindle support | 82 | 446690 | 1/8 key |
| 29 | 715094 | 1/4 lockwasher | 83 | 461822 | Washer |
| 30 | 310052 | 1/4-20 hex nut | 84 | 707950 | Hub friction wheel |
| 31 | 715177 | 5/16-18 locknut | 85 | 707968 | Friction wheel |
| 32 | 707695 | Spring drive idler | 86 | 153510 | 5/16 external tooth lockwasher |
| 33 | 157362 | 5/16-18 x 3/4 shoulder bolt | 87 | 150185 | 3/8 lockwasher |
| 34 | 461996 | 7/16 flat washer | 88 | 310029 | 3/8-24 hex nut |
| 35 | 771246 | Idler bracket | 89 | 663369 | Hex shaft |
| 36 | 419762 | 3" idler pulley | 90 | 664839 | Retainer |
| 37 | 153015 | 3/8-16 x 1-1/4 bolt | 91 | 664326 | Axle |
| 38 | 715524 | 3/8-16 jam nut | 92 | 707802 | Chain |
| 39 | 664797 | Spindle plate | 93 | 663476 | Retainer |
| 40 | 664805 | Engine pulley spacer | 94 | 153619 | Click pin |
| 41 | 707745 | Pulley traction drive | 95 | 042515 | Wheel |
| 42 | 707752 | Pulley auger drive | 96 | 153239 | Washer |
| 43 | 153031 | Washer | 97 | 664334 | Axle bracket |
| 44 | 153023 | 3/8 lockwasher | 98 | 313510 | 5/16-18 x 3/4 carriage bolt |
| 45 | 157370 | 3/8-24 x 1-1/4 bolt | 99 | 312090 | 1/4-20 x 1-1/2 bolt GR 5 |
| 46 | 662965 | Auger clutch rod | 100 | 152967 | 1/4-20 locknut |
| 47 | 312272 | 3/8-16 x 1-1/2 bolt | 101 | 663286 | (Not shown) Tire chain kit (8280 & 1032) |
| 48 | 715417 | 3/8 flat washer | 102 | 763417 | Yoke drive |
| 49 | 715524 | 3/8-16 jam nut | 103 | 775684 | Spring clutch yoke return |
| 50 | 380048 | 5/16-18 x 5/8 bolt | 104 | 707638 | Bushing |
| 51 | 707596 | Belt traction drive | 105 | 645648 | Spring washer |
| 52 | 419648 | Traction pulley 7" | 106 | 657403 | 3/8 cap retainer |
| 53 | 153080 | 3/16 key | 107 | 630129 | (Not shown) Electric start |
| | | | | 457523 | 5/16-18 x 3/4 self tapping screw |
| | | | 108 | 708784 | Bushing wheel |

Auger Housing Assembly

C8280H 8 HP 28" Dual Stage Snowthrower
C1032H 10 HP 32" Dual Stage Snowthrower
A8280H 8 HP 28" Dual Stage Snowthrower
A1032H 10 HP 32" Dual Stage Snowthrower



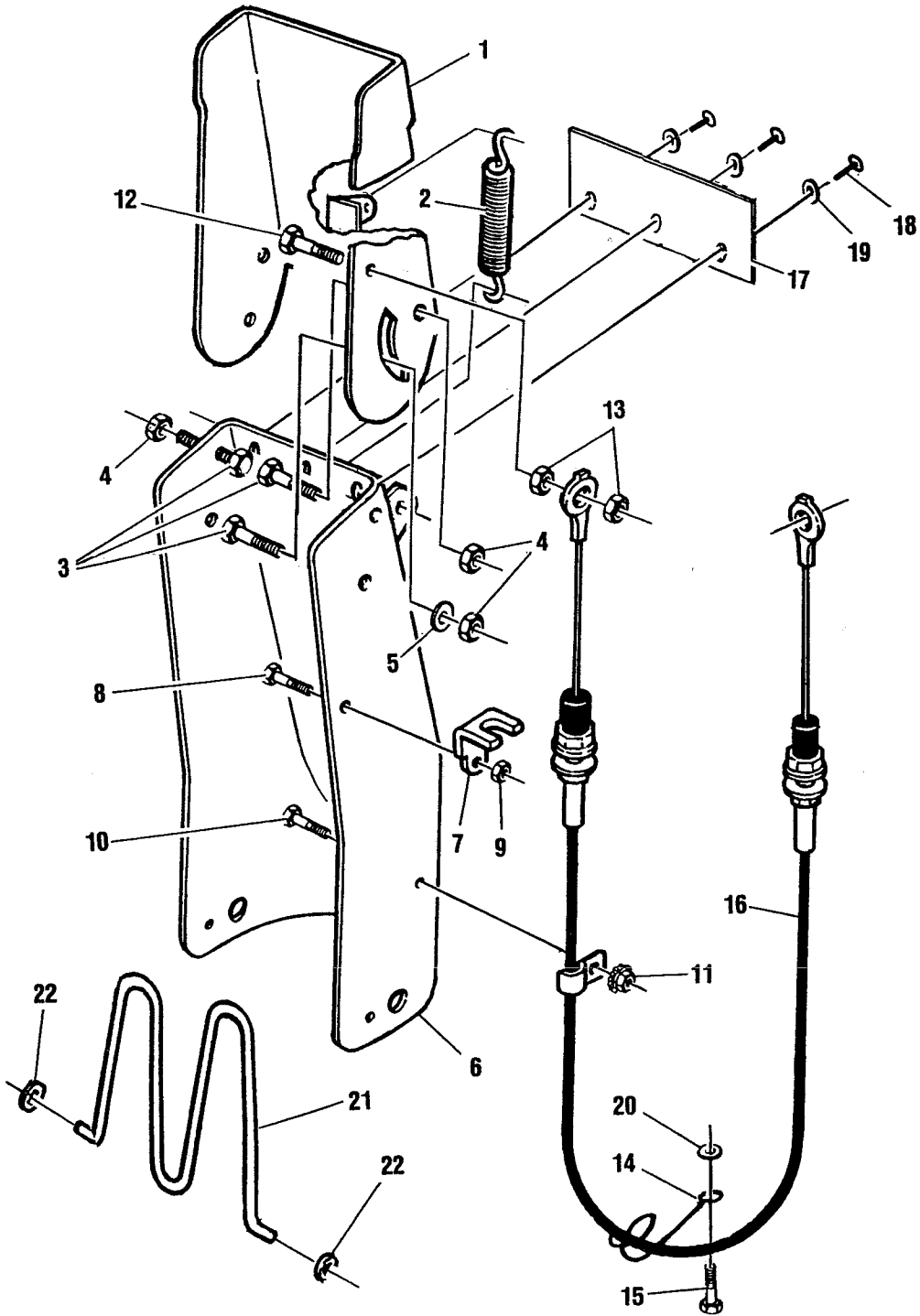
Auger Housing Assembly

C8280H 8 HP 28" Dual Stage Snowthrower
C1032H 10 HP 32" Dual Stage Snowthrower
A8280H 8 HP 28" Dual Stage Snowthrower
A1032H 10 HP 32" Dual Stage Snowthrower

| Reference No. | Part No. | Description |
|---------------|----------|---|
| 1 | 310045 | 5/16-18 hex nut |
| 2 | 311118 | 5/16 lockwasher |
| 3 | 715185 | 5/16 flatwasher |
| 4 | 313510 | 5/16-18 x 3/4 carriage bolt |
| 5 | 458232 | 8-32 x 1/2 bolt |
| 6 | 154096 | 8-32 locknut |
| 7 | 790659 | Retainer |
| 8 | 698381 | Flange |
| 11A | 697730 | Auger housing 28" |
| 11B | 607748 | Auger housing 32" |
| 12 | 457523 | 5/16-18 x 3/4 self tapping screw |
| 13 | 662569 | Height adjustor |
| 14 | 150169 | 1/4-20 x 1 bolt |
| 15 | 708222 | 7/8 bearing |
| 16 | 707943 | 3/16 key |
| 17A | 663096 | 28" scraper bar |
| 17B | 663088 | 32" scraper bar |
| 18 | 312058 | 5/16-18 x 1 bolt |
| 19 | 697763 | Gear box brace |
| 20A | 707653 | 28" gear box assembly |
| 20B | 707646 | 32" gear box assembly |
| 21A | 663120 | 28" serrated auger L.H. |
| 21B | 663112 | 32" serrated auger L.H. |
| 22A | 663146 | 28" serrated auger R.H. |
| 22B | 663138 | 32" serrated auger R.H. |
| 23 | 380055 | Shear bolt |
| 24 | 452615 | 1/4-20 locknut |
| 25 | 715177 | 5/16-18 locknut |
| 26 | 415687 | Grease fitting |
| 27 | 707661 | Bushing auger shaft |
| 28 | 153700 | Washer |
| 29 | 153718 | Spacer |
| 30 | 380048 | 5/16-18 x 5/8 bolt |
| 31 | 419713 | Auger pulley 8.4" |
| 33 | 677682 | Decal - Danger |
| 34 | 677690 | Decal - Danger |
| 35 | 698399 | Chute extension remote (See Remote Chute Assembly) |

C8280H 8 HP 28" Dual Stage Snowthrower
C1032H 10 HP 32" Dual Stage Snowthrower

Remote Chute Assembly

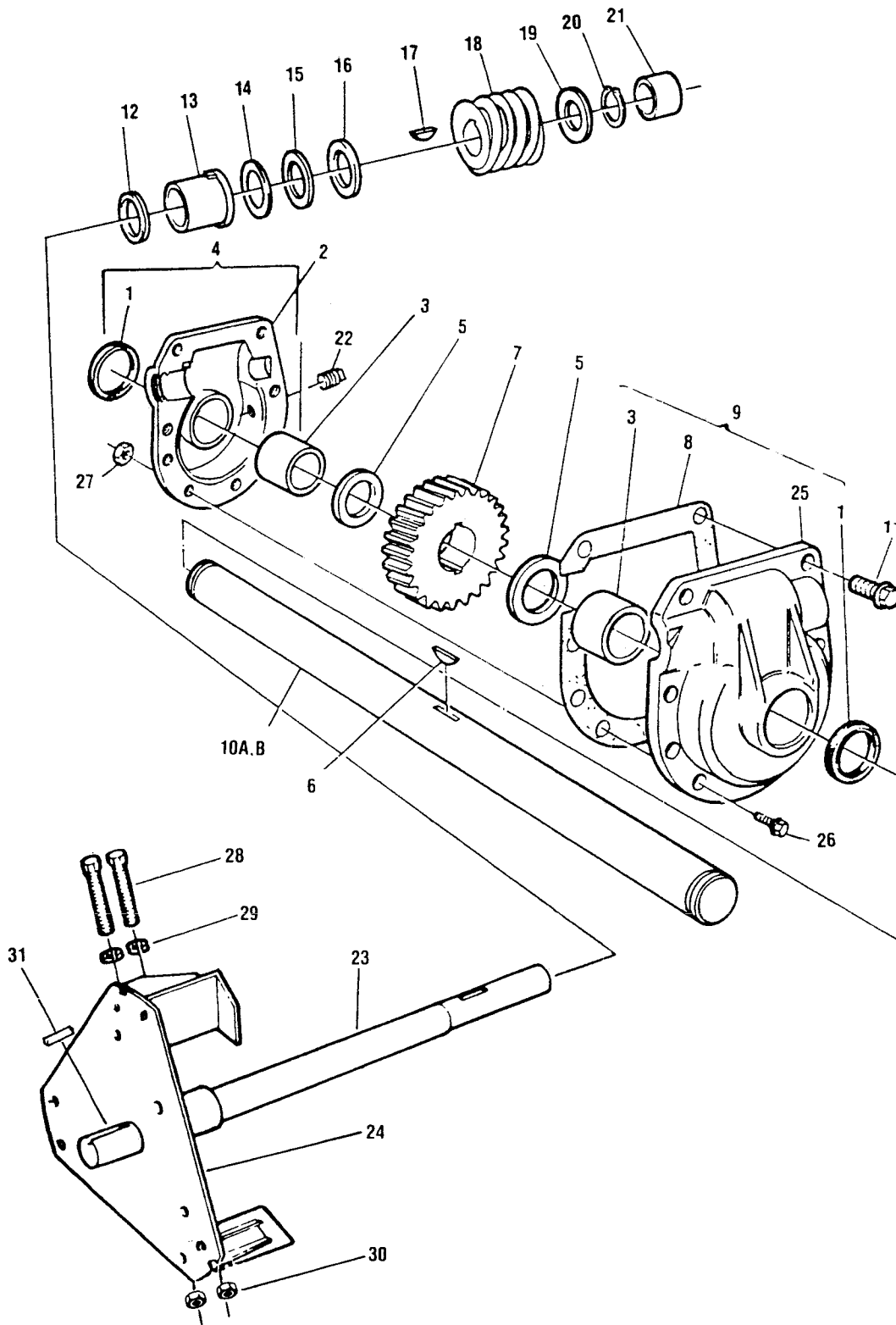


Remote Chute Assembly

| Reference No. | Part No. | Description |
|---------------|----------|-------------------------------------|
| 1 | 698407 | Chute deflector remote |
| 2 | 663518 | Spring |
| 3 | 157321 | 5/16-18 x 3/4 pan head slotted bolt |
| 4 | 310151 | 5/16-18 locknut |
| 5 | 672972 | Plastic washer |
| 6 | 698399 | Chute extension remote |
| 7 | 664706 | Bracket cable |
| 8 | 312082 | 5/16-18 x 1/2 bolt |
| 9 | 715177 | 5/16-18 locknut |
| 10 | 120048 | 10-24 x 3/8 bolt |
| 11 | 452318 | 10-24 locknut |
| 12 | 150169 | 1/4-20 x 1 bolt |
| 13 | 150391 | 1/4 x 20 locknut |
| 14 | 664714 | Remote wire form |
| 15 | 156463 | 5/16-18 x 3 bolt GR5 |
| 16 | 645697 | Remote cable |
| 17 | 707927 | Skirt snow chute |
| 18 | 707935 | 6/16 rivet |
| 19 | 462424 | #10 - flat washer |
| 20 | 715185 | 5/16 flat washer |
| 21 | 662692 | Hand guard |
| 22 | 715102 | Retainer - hand guard |

C8280H 8 HP 28" Dual Stage Snowthrower
C1032H 10 HP 32" Dual Stage Snowthrower
A8280H 8 HP 28" Dual Stage Snowthrower
A1032H 10 HP 32" Dual Stage Snowthrower

Gear Box Assembly



C8280H 8 HP 28" Dual Stage Snowthrower
C1032H 10 HP 32" Dual Stage Snowthrower
A8280H 8 HP 28" Dual Stage Snowthrower
A1032H 10 HP 32" Dual Stage Snowthrower

Gear Box Assembly

| Reference No. | Part No. | Description |
|---------------|----------|----------------------------------|
| 1 | 707471 | Seal |
| 2 | 707547 | Housing L.H. |
| 3 | 707463 | Bearing |
| 4 | 707455 | Housing assembly L.H. |
| 5 | 707430 | Race thrust |
| 6 | 153353 | Key Woodruff #91 |
| 7 | 707422 | Worm gear |
| 8 | 707448 | Gasket |
| 9 | 707489 | Housing assembly R.H. |
| 10A | 663328 | 28" auger shaft |
| 10B | 663336 | 32" auger shaft |
| 11 | 153486 | 5/16-24 x 1-3/4 bolt |
| 12 | 153346 | Ring quad |
| 13 | 153338 | Bearing impeller shaft |
| 14 | 153320 | Race thrust |
| 15 | 153312 | Bearing needle |
| 16 | 153304 | Race thrust |
| 17 | 153080 | Key 3/16" |
| 18 | 707513 | Worm |
| 19 | 152959 | Race thrust |
| 20 | 153296 | Ring retainer |
| 21 | 707505 | Bearing impeller shaft |
| 22 | 153288 | Grease plug |
| 23 | 663344 | Impeller shaft |
| 24 | 663104 | Impeller |
| 25 | 707539 | Housing R.H. |
| 26 | 153064 | 5/16-24 x 1 bolt |
| 27 | 153189 | 5/16-24 flange locknut |
| 28 | 153148 | 1/4-20 x 2-1/4 bolt |
| 29 | 715300 | 1/4 flat washer |
| 30 | 152967 | 1/4-20 locknut |
| 31 | 707943 | 3/16 key |
| | 707653 | 28" gear box assembly (complete) |
| | 707646 | 32" gear box assembly (complete) |