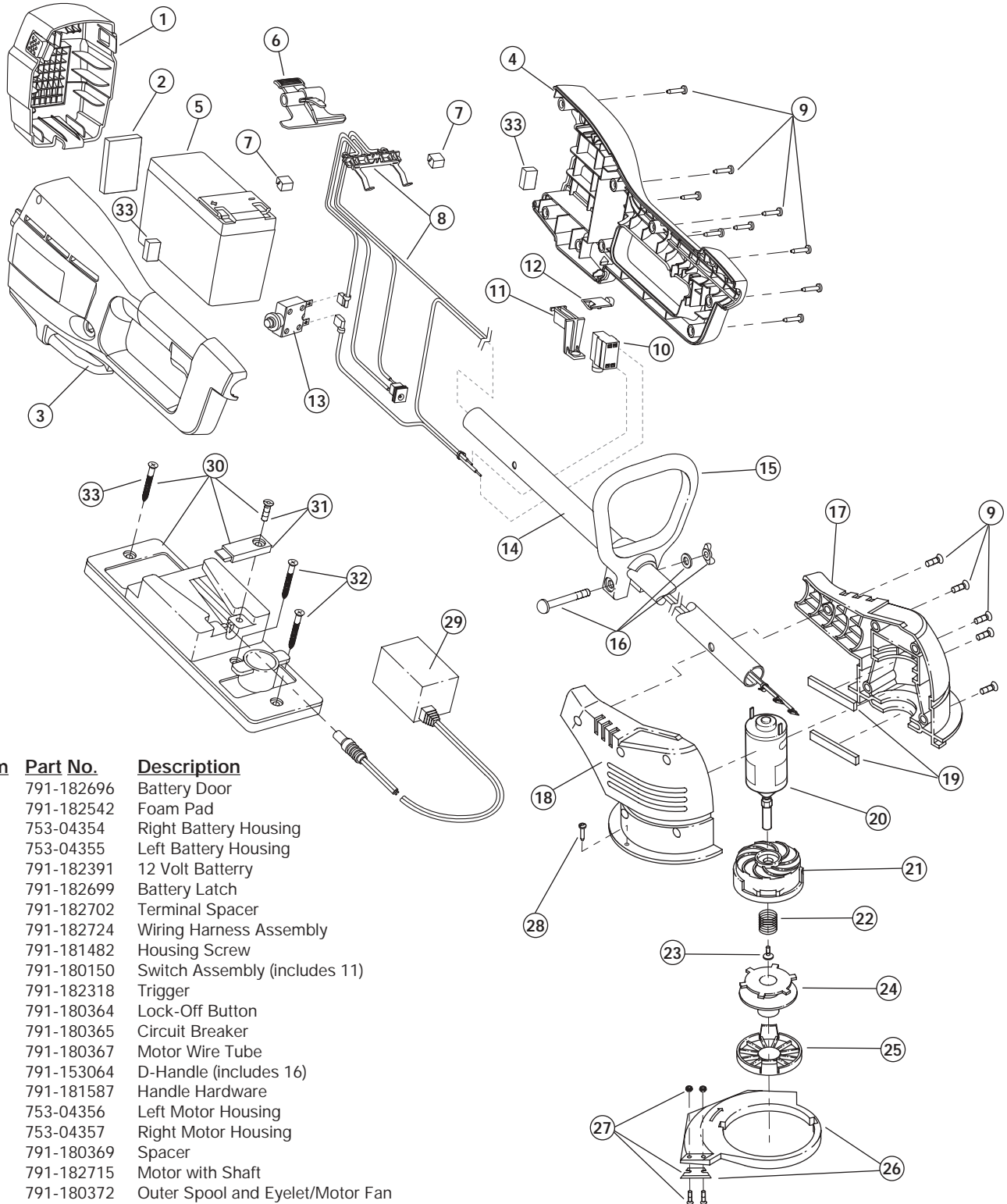


REPLACEMENT PARTS—MODEL TB55B 12 VOLT BATTERY TRIMMER

PPN 41AET55G063



Item	Part No.	Description
1	791-182696	Battery Door
2	791-182542	Foam Pad
3	753-04354	Right Battery Housing
4	753-04355	Left Battery Housing
5	791-182391	12 Volt Battery
6	791-182699	Battery Latch
7	791-182702	Terminal Spacer
8	791-182724	Wiring Harness Assembly
9	791-181482	Housing Screw
10	791-180150	Switch Assembly (includes 11)
11	791-182318	Trigger
12	791-180364	Lock-Off Button
13	791-180365	Circuit Breaker
14	791-180367	Motor Wire Tube
15	791-153064	D-Handle (includes 16)
16	791-181587	Handle Hardware
17	753-04356	Left Motor Housing
18	753-04357	Right Motor Housing
19	791-180369	Spacer
20	791-182715	Motor with Shaft
21	791-180372	Outer Spool and Eyelet/Motor Fan
22	791-180374	Spring
23	791-180375	Screw
24	791-180292	Inner Reel with .080" Line
25	791-180376	Reel Cover
26	791-180293	Guard and Blade Assembly
27	791-180377	Blade Assembly
28	791-182469	Guard Screw
29	791-182534	12 Volt Charger
30	791-180295	Charging Station Stand (includes 31 & 32)

Item	Part No.	Description
31	791-180378	Barrel Clamp with Screw
32	791-182709	Mounting Screw
33	753-04007	Front Battery Pads

Optional Accessories

- * 791-610375 Replacement Line (.080 Diameter)
- * 791-180327 Bump Head Assembly (includes 21-25)