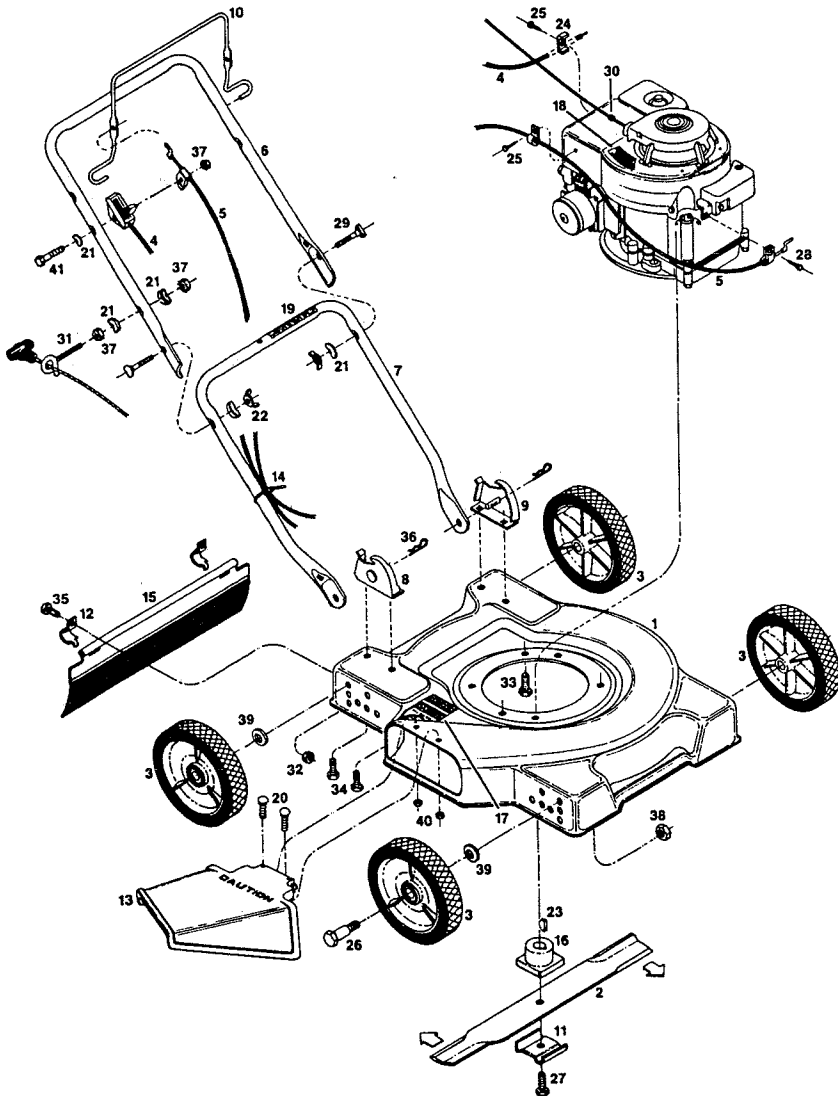


19" Rotary Mower
Models W19F
BL19F
C19F
CAW19F
FU19F
20-1901F
Grass Catcher GC-6A



INDEX NO.	PART NO.	DESCRIPTION
1	012955	Deck 19" Green
	013490	Deck 19" Red
2	030023	Blade—19" Flat
3	041012	Wheel—6" Plastic
	498618	Wheel—7" Plastic
	041046	Wheel—7" Steel
4	051219	Control—Throttle
5	051466	Cable—Engine/Blade Control*
6	071076	Handle—Upper
7	071563	Handle—Lower
8	107086	Handle Bracket—Right Hand
9	107094	Handle Bracket—Left Hand
10	104687	Bail—Engine/Blade Control*
11	106336	Washer—Blade Adapter
12	106914	Clip—Trailing Shield
13	110221	Chute Deflector Assembly*
14	110379	Cable Tie
15	111583	Trailing Shield*
16	133231	Blade Adapter
17	144063	Decal—C.P.S.C. Danger
18	001461	Decal—Blade Warning
19	144899	Decal—Starting Instructions
20	150011	Bolt—Carriage 1/4-20 x 5/8
21	150201	Washer—Curved 5/16
22	150235	Wingnut 5/16-18
23	150276	Woodruff Key #6
24	150318	Cable Clamp
25	150623	Self Tap Screw #10 x 5/8
26	150730	Shoulder Bolt—Wheel (6" Plastic & 7" Steel)
	156158	Bolt—Wheel (7" Plastic only)
27	150862	Bolt—Blade 3/8-24 x 1 1/4 Gr. 8
28	151613	Bolt—Hex Head #10-32 x 3/8 SEMS
29	151928	Bolt—Curved Head 5/16-18 x 1 1/4
30	152074	Rope Stop
31	151371	Rope Guide
32	452318	Nut #10-24 HX Nylon Insert
33	457168	Bolt—Hex Head Self Tap 3/8-16 x 7/8
34	457499	Bolt—Self Tap 1/4-20 x 5/8
35	458687	Bolt #10-24 x 1/2
36	715011	Hairpin Cotter
37	715037	Nut—Keps 1/4-20
38	451492	Locknut 3/8-16 Top
39	715607	Washer—Belleville
40	715508	Locknut 1/4-20 Top
41	153874	Bolt—1/4-20 x 2 1/4" HHCS

NOTE: Parts are right or left hand as viewed from operator position.

Approximate cutting heights 7/8" to 2 3/4"
 Specifications subject to change without prior notice.