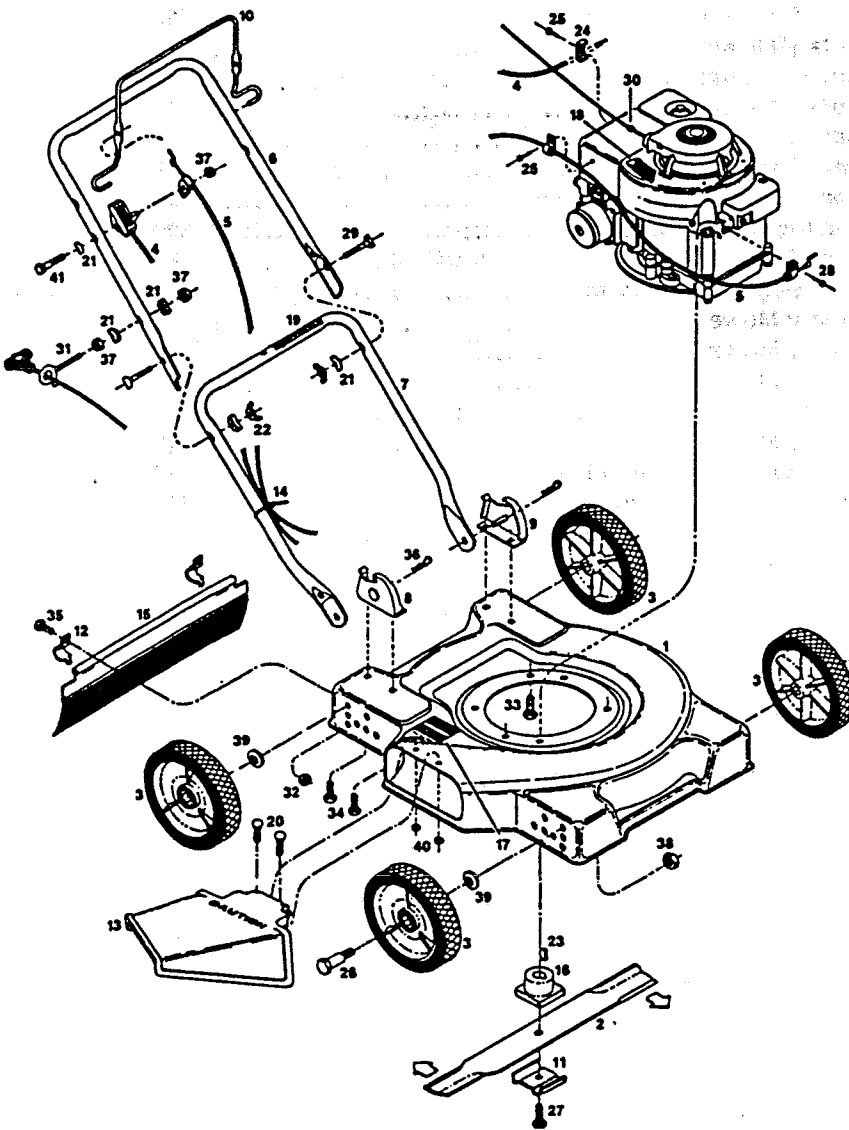


19" ROTARY MOWER
MODEL W19G - C19G - SM19G - FUB19G - HA19G
 Grass Catcher Model GC-6A
 P/N 160689
 P/N Repl. Bag 160457



INDEX NO.	PART NO.	DESCRIPTION
1	012955	Deck 19" Green
	013490	Deck 19" Red
2	030023	Blade—19" Flat
3	041012	Wheel—6" Plastic
	498618	Wheel—7" Steel
	041046	Wheel—7" Steel
4	051219	Control—Throttle
5	051466	Cable—Engine/Blade Control
6	071076	Handle—Upper
7	071563	Handle—Lower
8	107086	Handle Bracket—Right Hand
9	107094	Handle Bracket—Left Hand
10	104687	Bail—Engine/Blade Control
11	106336	Washer—Blade Adapter
12	106914	Clip—Trailing Shield
13	110221	Chute Deflector Assembly
14	110379	Cable Tie
15	111583	Trailing Shield
16	133231	Blade Adapter
17	144063	Decal—C.P.S.C. Danger
18	001461	Decal—Blade Warning
19	144899	Decal—Starting Instructions
20	150011	Bolt—Carriage 1/4-20 x 5/8
21	150201	Washer—Curved 5/16
22	150235	Wingnut 5/16-18
23	150276	Woodruff Key #6
24	150318	Cable Clamp
25	150623	Self Tap Screw #10 x 5/8
26	150730	Shoulder Bolt—Wheel (6" Plastic & 7" Steel)
	156158	Bolt—Wheel (7" Plastic only)
27	162024	Bolt—Blade 3/8-24 x 1 1/4 Gr. 8
28	151613	Bolt—Hex Head #10-32 x 3/8 SEMS
29	151928	Bolt—Curved Head 5/16-18 x 1 1/4
30	152074	Rope Stop
31	152371	Rope Guide
32	452318	Nut #10-24 HX Nylon Insert
33	457168	Bolt—Hex Head Self Tap 3/8-16 x 7/8
34	457499	Boit—Self Tap 1/4-20 x 5/8
35	458687	Bolt #10-24 x 1/2
36	715011	Hairpin Cotter
37	715037	Nut—Keps 1/4-20
38	451492	Locknut 3/8-16 Top
39	715607	Washer—Belleville
40	715508	Locknut 1/4-20 Top
41	153874	Bolt—1/4-20 x 2 1/4" HHCS

NOTE: Parts are right or left hand as viewed from operator position. Specifications subject to change without prior notice.