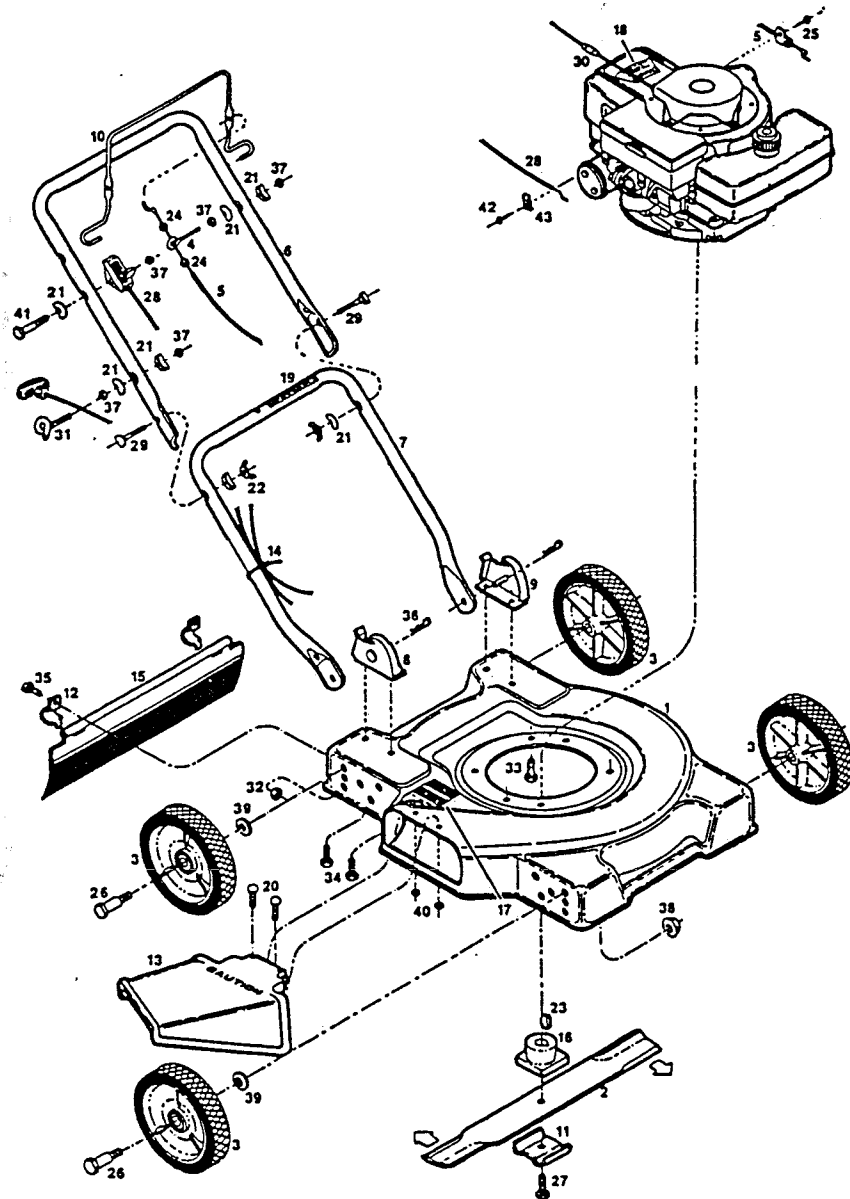


19" ROTARY MOWER
MODEL W19TG - C19TG - ME19TG
 Grass Catcher Model GC-6A
 P/N 160689
 P/N Repl. Bag 160457



- | | | |
|----|--------|---------------------------------------|
| 1 | 012955 | Deck - 19" |
| 2 | 030023 | Blade - 19" Flat |
| 3 | 041012 | Wheel - 6" Plastic-Diamond |
| | 041533 | Wheel - 6 1/2" Plastic-Diamond |
| | 498618 | Wheel - 7" Plastic-Diamond |
| 4 | 155234 | Eyebolt - Cable Mounting |
| 5 | 051474 | Cable - Engine/Blade Control |
| 6 | 071076 | Handle - Upper |
| 7 | 071583 | Handle - Lower |
| 8 | 107086 | Handle Bracket - Right Hand |
| 9 | 107094 | Handle Bracket - Left Hand |
| 10 | 104687 | Bail - Engine/Blade Control |
| 11 | 106336 | Washer - Blade Adapter |
| 12 | 106914 | Clip - Trailing Shield |
| 13 | 391706 | Chute Deflector Assembly |
| 14 | 110379 | Cable Tie |
| 15 | 111583 | Trailing Shield |
| 16 | 133231 | Blade Adapter |
| 17 | 144063 | Decal - C.P.S.C. Danger |
| 18 | 001461 | Decal - Blade Warning |
| 19 | 144899 | Decal - Starting Instructions |
| 20 | 150011 | Bolt - Carriage 1/4-20 X 5/8 |
| 21 | 150201 | Washer - Curved 5/16 |
| 22 | 150235 | Wingnut 5/16-18 |
| 23 | 150276 | Woodruff Key #6 |
| 24 | 152223 | Nut - Jam Hex 5/16-24 |
| 25 | 151613 | Bolt - Hex Head 10-32 X 1/4 |
| 26 | 150730 | Shoulder Bolt - Wheel |
| | 156158 | Shoulder Bolt - Wheel (7" wheel only) |
| 27 | 162024 | Bolt - Blade 3/8-24 X 1-1/4 Gr. 8 |
| 28 | 051219 | Throttle Control |
| 29 | 151928 | Bolt - Curved Head 5/16-18 X 1-3/4 |
| 30 | 152074 | Rope Stop |
| 31 | 152371 | Rope Guide |
| 32 | 452318 | Nut #10-24 HX Nylon Insert |
| 33 | 457168 | Bolt - Hex Head Self Tap 3/8-18 X 7/8 |
| 34 | 457499 | Bolt - Self Tap 1/4-20 X 5/8 |
| 35 | 458687 | Bolt #24 X 1/2 |
| 36 | 715011 | Hairpin Cotter |
| 37 | 715037 | Nut - Keps 1/4-20 |
| 38 | 451492 | Nut - 3/8-16 Toplock |
| 39 | 715807 | Washer - Belleville |
| 40 | 715508 | Locknut 1/4-20 Top |
| 41 | 450739 | Bolt - 1/4-20 X 1 3/4 Hex |
| 42 | 156869 | Screw - #10-32 X 3/8 Hex |
| 43 | 150318 | Clamp - Throttle Cable |

NOTE: Parts are right or left hand as viewed from operator position.
 Specifications subject to change without prior notice.