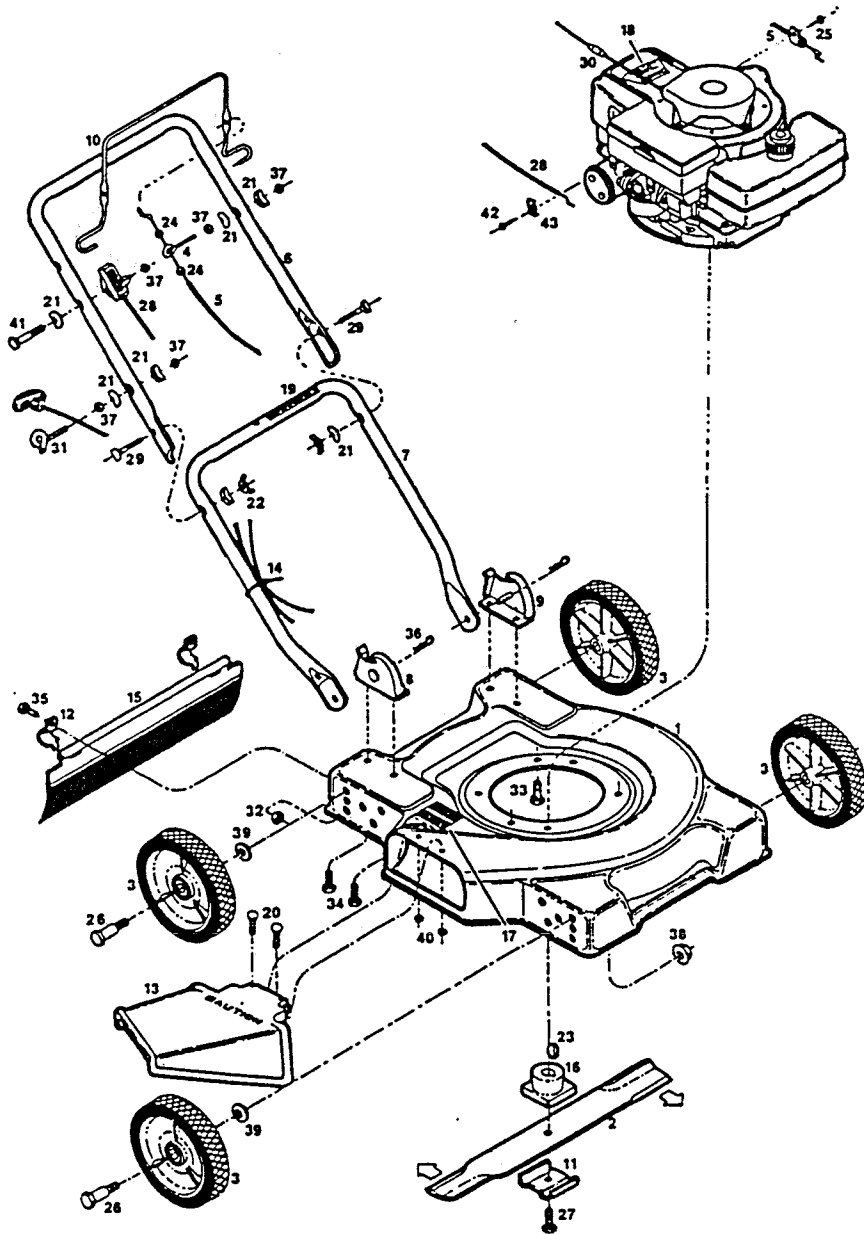


**19" SIDE DISCHARGE ROTARY MOWER**  
**MODEL: W19TH**  
 Grass Catcher Model: GC 6AA - P/N 161018  
 Repl. Bag: P/N 160457



- |    |        |                                       |
|----|--------|---------------------------------------|
| 1  | 012955 | Deck 19"                              |
| 2  | 030023 | Blade - 19" Flat                      |
| 3  | 041012 | Wheel - 6" Plastic-Diamond            |
|    | 041533 | Wheel - 6 1/2" Plastic-Diamond        |
|    | 498618 | Wheel - 7" Plastic-Diamond            |
| 4  | 155234 | Eyebolt - Cable Mounting              |
| 5  | 051474 | Cable - Engine/Blade Control          |
| 6  | 071076 | Handle - Upper                        |
| 7  | 071563 | Handle - Lower                        |
| 8  | 107066 | Handle Bracket - Right Hand           |
| 9  | 107094 | Handle Bracket - Left Hand            |
| 10 | 104687 | Ball - Engine/Blade Control           |
| 11 | 106336 | Washer - Blade Adapter                |
| 12 | 106914 | Clip - Trailing Shield                |
| 13 | 391706 | Chute Deflector Assembly              |
| 14 | 110379 | Cable Tie                             |
| 15 | 111583 | Trailing Shield                       |
| 16 | 133231 | Blade Adapter                         |
| 17 | 144063 | Decal - C.P.S.C. Danger               |
| 18 | 001461 | Decal - Blade Warning                 |
| 19 | 144899 | Decal - Starting Instructions         |
| 20 | 150011 | Bolt - Carriage 1/4-20 X 5/8          |
| 21 | 150201 | Washer - Curved 5/16                  |
| 22 | 150235 | Wingnut 5/16-18                       |
| 23 | 150276 | Woodruff Key #6                       |
| 24 | 152223 | Nut - Jam Hex 5/16-24                 |
| 25 | 151613 | Bolt - Hex Head 10-32 X 1/4           |
| 26 | 150730 | Shoulder Bolt - Wheel                 |
|    | 156158 | Shoulder Bolt - Wheel (7" wheel only) |
| 27 | 162024 | Bolt - Blade 3/8-24 X 1-1/4 Gr. 8     |
| 28 | 051219 | Throttle Control                      |
| 29 | 151928 | Bolt - Curved Head 5/16-18 X 1-3/4    |
| 30 | 152074 | Rope Stop                             |
| 31 | 152371 | Rope Guide                            |
| 32 | 452318 | Nut #10-24 HX Nylon Insert            |
| 33 | 457168 | Bolt - Hex Head Self Tap 3/8-16 X 7/8 |
| 34 | 457499 | Bolt - Self Tap 1/4-20 X 5/8          |
| 35 | 458687 | Bolt #24 X 1/2                        |
| 36 | 715011 | Hairpin Cotter                        |
| 37 | 715037 | Nut - Keps 1/4-20                     |
| 38 | 451492 | Nut - 3/8-16 Toplock                  |
| 39 | 715607 | Washer - Belleville                   |
| 40 | 715508 | Locknut 1/4-20 Top                    |
| 41 | 450739 | Bolt - 1/4-20 X 1 3/4 Hex             |
| 42 | 156869 | Screw - #10-32 X 3/8 Hex              |
| 43 | 150318 | Clamp - Throttle Cable                |

**NOTE:** Parts are right or left hand as viewed from operator position.

Specifications subject to change without prior notice.

**NOTE:** This parts list covers several different mower models. Not all of the Parts listed may be used on your particular mower.  
 When servicing use only genuine factory replacement parts that are specifically for your particular model.