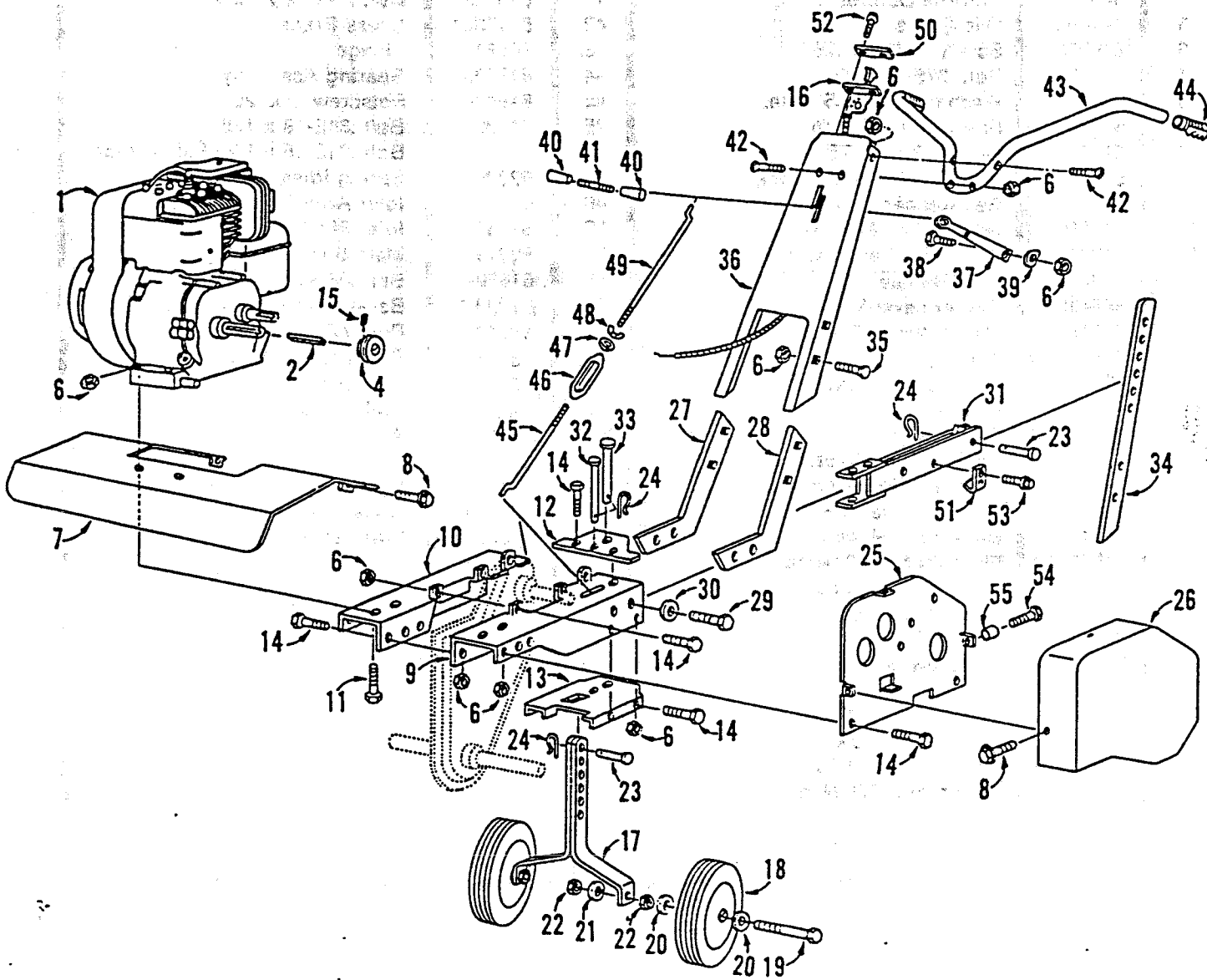


# 5HP Chain Drive Tiller W24 N5

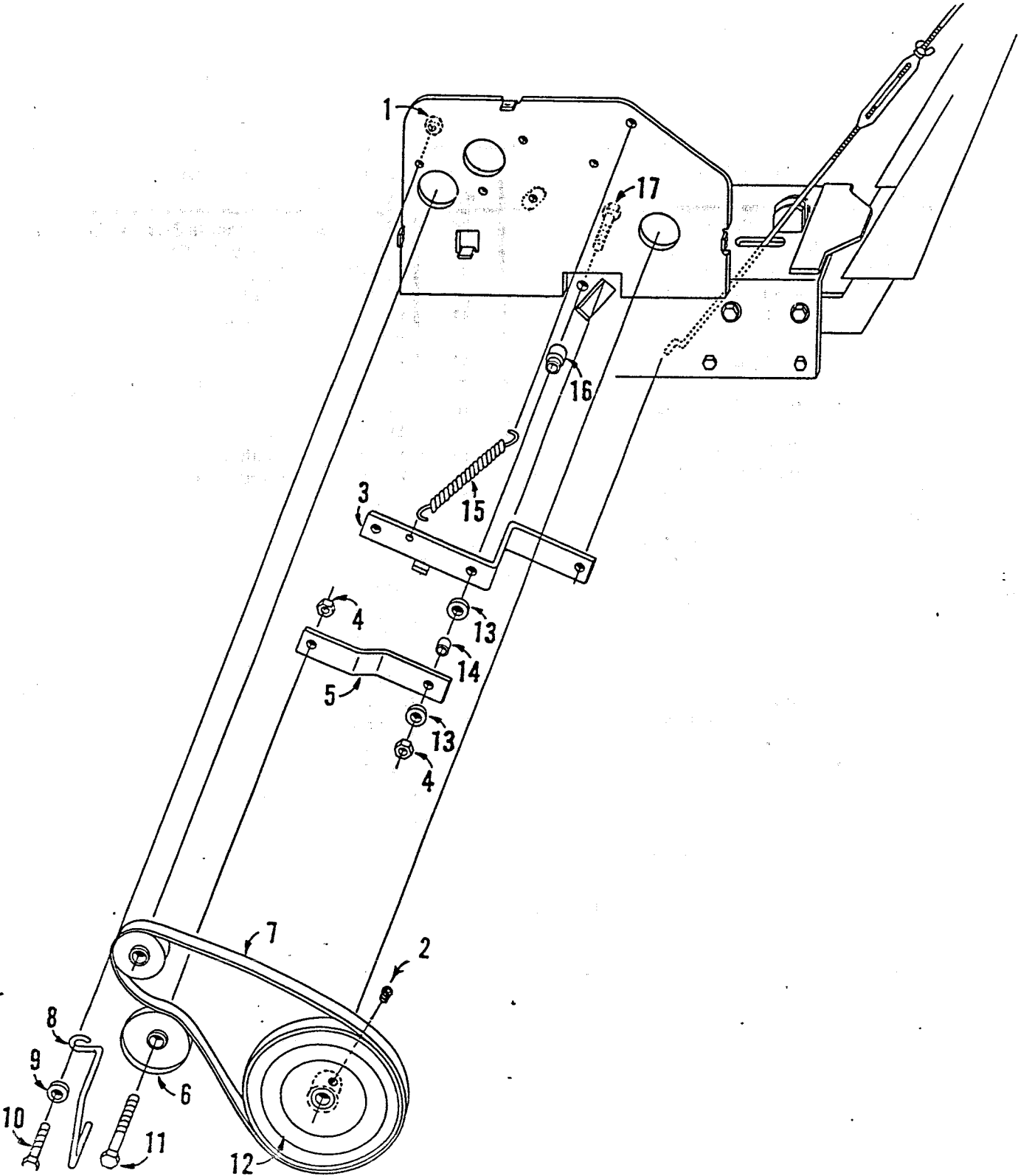


# 5HP Chain Drive Tiller

## W24 N5

KEY NO.	PART NO.	DESCRIPTION	KEY NO.	PART NO.	DESCRIPTION
1		Engine Briggs & Stratton	28	572636	L.H. Handle Bracket Weldment
2	616839	Key-Forward-Square	29	616128	*Hex Bolt .375-16 x .75
4	618744	Pulley-Forward	30	615666	*Lock Washer - .375
6	616342	*Hex Locknut .312-18	31	618074	Stabilizer
7	572685	Dirt Shield	32	618041	Lock Pin
8	624932	Screw	33	618033	Pivot Pin
9	572602	L.H. Chassis	34	572677	Stake
10	572594	R.H. Chassis	35	615997	*Carriage Bolt .312-18 x .625
11	616102	*Hex Bolt .312-18 x 1.50	36	572750	Handle Panel Weldment
12	572297	Tail Plate Up	37	555177	Shift Lever
13	572305	Tail Plate Low	38	617100	Shoulder Bolt
14	312066	*Hex Bolt .312-18 x .75	39	617118	Spring Washer .312
15	615492	Set Screw .312 - 18x.25	40	628651	Knob
16	618561	Throttle Control	41	615559	Stud
17	572743	Wheel Yoke Weldment	42	616037	*Screw .312-18 x 1.25
18	622746	Wheel (Plastic) 10 Inch	43	572768	Handle Bar
19	616516	Hex Bolt .500-13	44	616748	Handle Grip
20	615724	*Flat Washer .500	45	616888	Lower Control Rod
21	615674	*Lock Washer .500	46	616847	Turn Buckle
22	615625	*Hex Nut .500-13	47	615658	*Lockwasher - .250
23	616532	Clevis Pin	48	615989	*Wingnut - .250-20
24	616227	Hair Pin	49	618173	Upper Control Rod
25	572669	Side Plate Weldment	50	618579	Throttle Control Plate
26	572693	Sheave Cover	51	617654	Stake Spring
27	572644	R.H. Handle Bracket Weldment	52	624916	Screw
			53	617514	Screw
			54	616169	Screw
			55	617159	Spacer

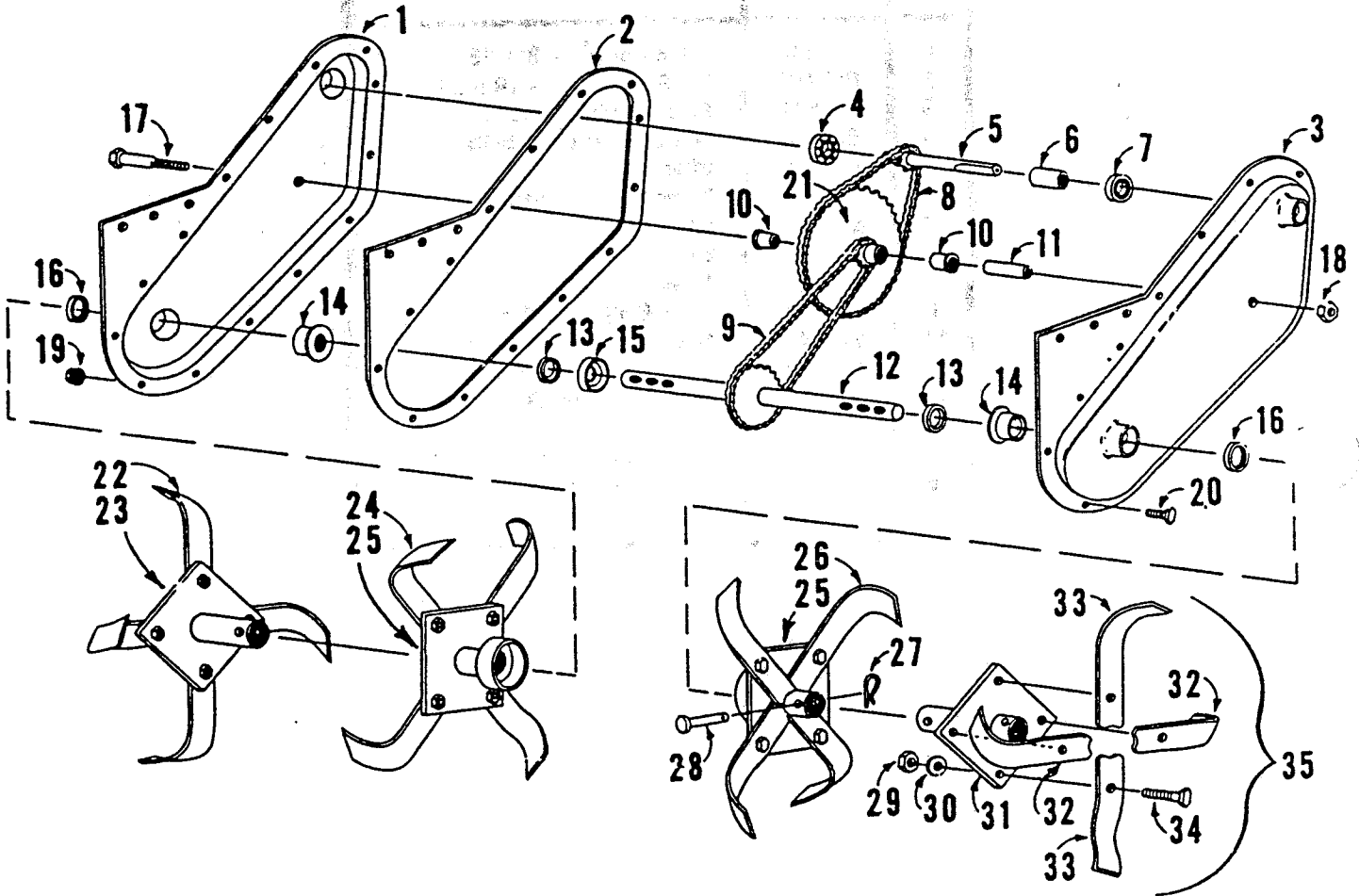
5HP Chain Drive Tiller  
W24 N5



**5HP Chain Drive Tiller**  
**W24 N5**

KEY NO.	PART NO.	DESCRIPTION
1.	616342	*Hex Locknut .312-18
2.	615492	Set Screw .312 - 18 x .25
3.	555672	Pivot Bar Weldment
4.	624908	*Hex Locknut .375-16
5.	555680	Idler Arm
6.	170621	Forward Idler Pulley
7.	619106	Forward Belt
8.	619148	Belt Keeper
9.	615708	*Washer .312
10.	615583	*Hex Bolt .312-18 x .625
11.	312355	*Hex Bolt .375-16 x 2.00
12.	619098	Driven Pulley - Fwd.
13.	615716	*Plain Washer .375
14.	617886	Bushing
15.	617928	Forward Spring
16.	617878	Special Bushing
17.	616003	*Hex Bolt .375-16 x 2.38

5HP Chain Drive Tiller  
W24 N5



## 5HP Chain Drive Tiller W24 N5

KEY NO.	PART NO.	DESCRIPTION	KEY NO.	PART NO.	DESCRIPTION
1	572719	Chain Case R.H.	19	616151	Nut .250-20 Lock
2	618231	Gasket - Chain Case	20	615526	Bolt .250-20 x .625
3	572701	Chain Case L.H.	21	618991	Sprocket Weldment
4	619049	Bearing .500 I.D.	22	572917	Tine Assembly R.H. Ext.
5	619031	Input Shaft	23	617373	Tube & Plate Weldment
6	619064	Spacer Input Shaft	24	573113	Tine Assembly R.H. Basic
7	619056	Bearing .625 I.D.	25	619460	Tube & Plate Weldment
8	619023	Chain No. 40-42	26	573121	Tine Assembly L.H. Basic
9	619015	Chain No. 50-42	27	616227	Hair Pin
10	617597	Bushing	28	616532	Tine Pin
11	618025	Spindle	29	615633	Nut .375-24
12	618116	Axle Weldment	30	615666	Lockwasher
13	619007	Spacer-Axle	31	617365	Tube & Plate Weldment
14	618975	Bushing-Axle	32	617209	Tine Blade R.H.
15	618066	Spacer-Axle - (Cup)	33	617217	Tine Blade L.H.
16	616565	Seal-Axle	34	624940	Bolt .375-24 x 1.00
17	616003	Bolt .375-16 x 2.375	35	572909	Tine Assembly L.H. Ext.
18	624908	Nut .375-16 Lock			