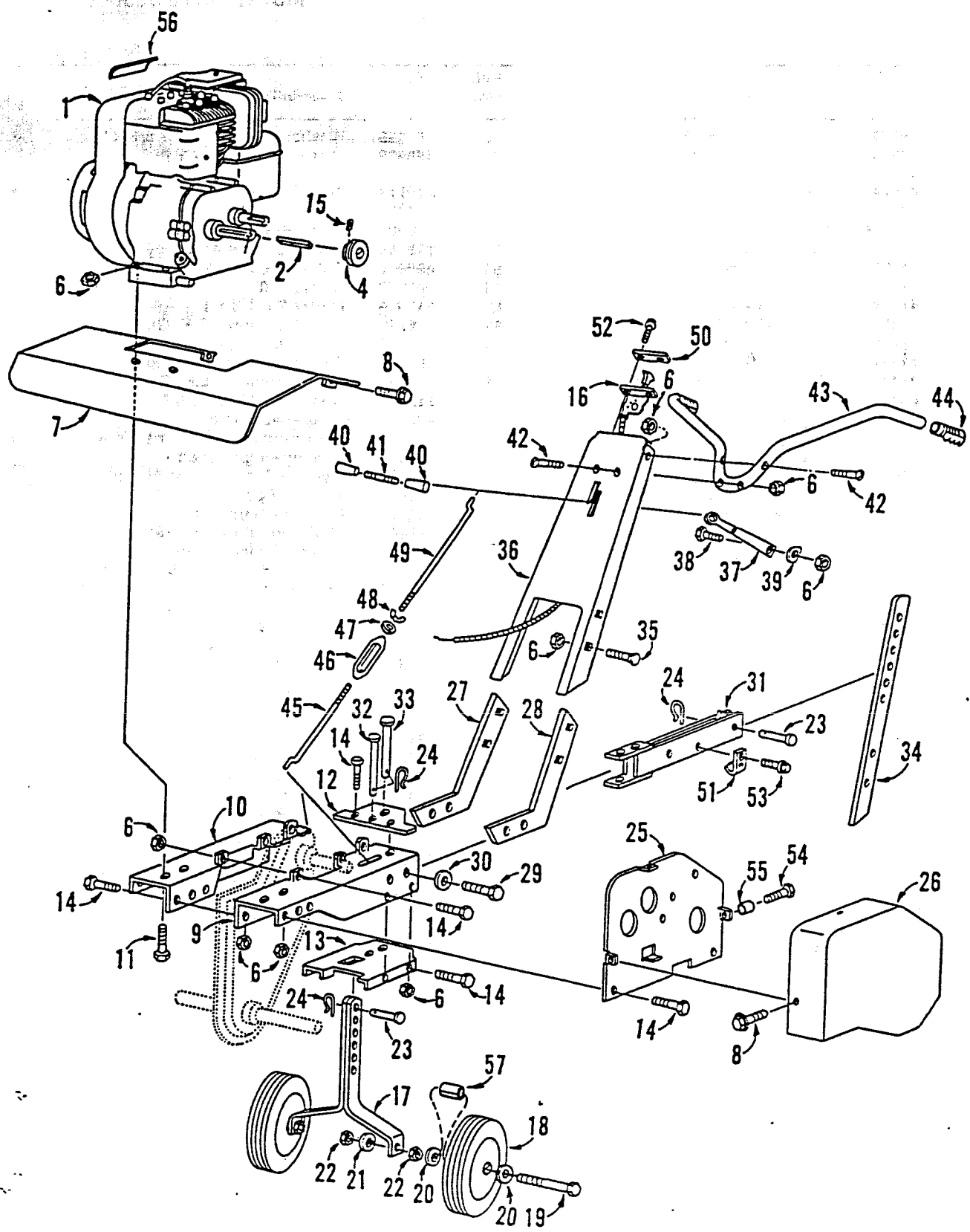


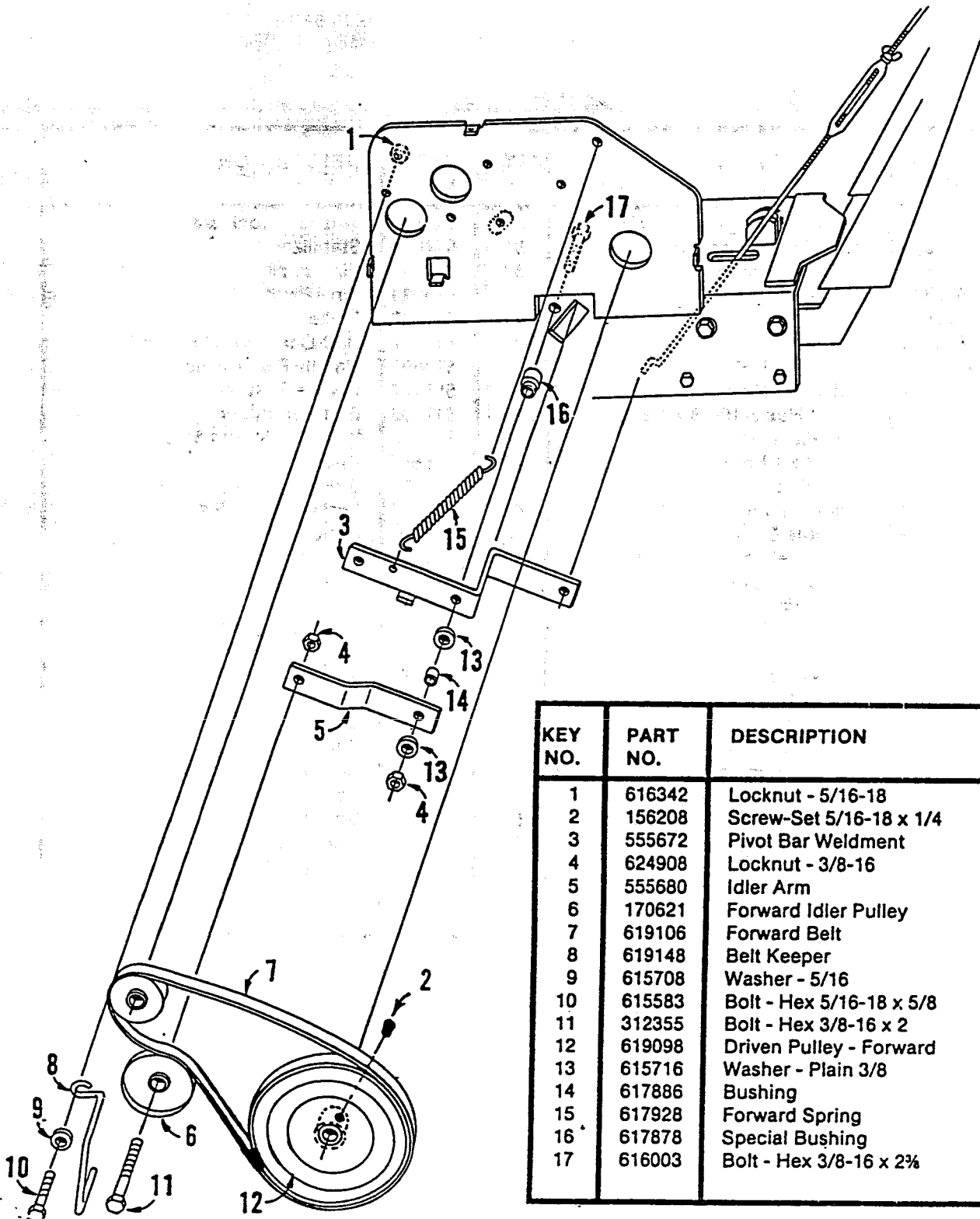
5 Hp Chain Drive Tiller  
Model: W24N5-E



5 Hp Chain Drive Tiller  
Model: W24N5-E

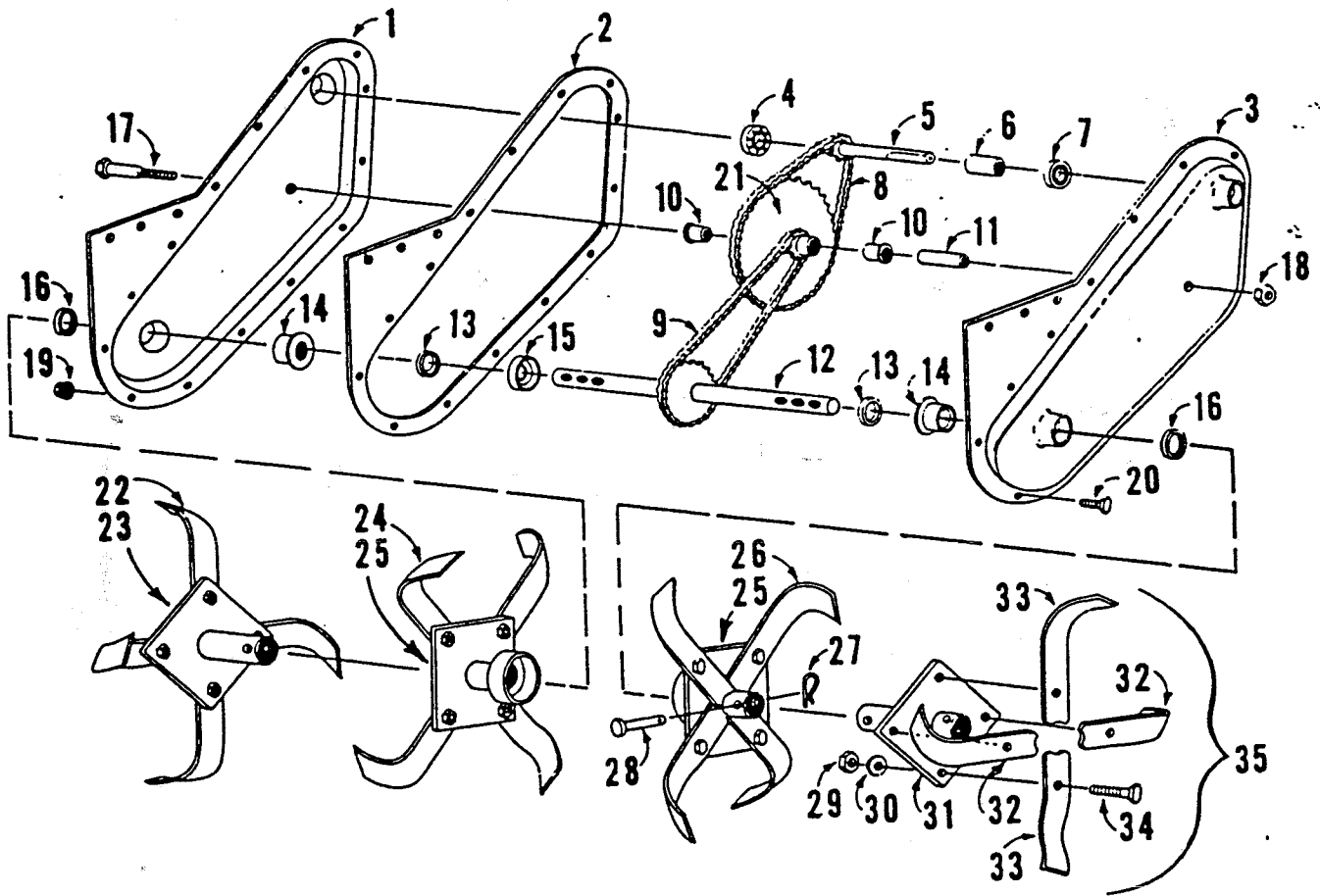
KEY NO.	PART NO.	DESCRIPTION	KEY NO.	PART NO.	DESCRIPTION
1		Engine-Briggs & Stratton	30	615666	Washer - Lock 3/8
2	616839	Key-Square Forward	31	618074	Stabilizer
4	618744	Pulley-Forward	32	618041	Pin - Lock
6	616342	Locknut	33	618033	Pin - Pivot
7	573600	Shield-Dirt	34	572362	Stake
8	624932	Screw	35	615997	Bolt-Carriage 5/16-18 x 5/8
9	572602	Chassis - L.H.	36	573899	Handle Panel Weldment
10	572594	Chassis - R.H.	37	555177	Lever - Shift
11	616102	Bolt - Hex 5/16-18 x 1 1/2	38	617100	Bolt - Shoulder
12	573543	Tail Plate Upper	39	617118	Washer - Spring 5/16
13	573550	Tail Plate Lower	40	628651	Knob
14	312066	Bolt-Hex 5/16-18 x 3/4	41	615559	Stud
15	156208	Screw-Set 5/16-18 x 1/4	42	616037	Screw - 5/16-18 x 1/4
16	618561	Throttle Control	43	572768	Handle Bar
17	572743	Yoke Weldment - Wheel	44	616748	Handle Grip
18	498808	Wheel - Plastic 10"	45	616888	Lower Control Rod
19	616516	Bolt - Hex 1/2-13	46	616847	Turn Buckle
20	615724	Washer - Flat 1/2	47	715094	Lockwasher - 1/4
21	615674	Washer - Lock 1/2	48	152330	Wingnut - 1/4-20
22	615625	Nut - Hex 1/2	49	618173	Upper Control Rod
23	616532	Pin - Clevis	50	618579	Throttle Control Plate
24	616227	Pin - Hair	51	617654	Lock - Stake Spring
25	573592	Side Plate Weldment	52	624916	Screw
26	573618	Cover - Sheave	53	617514	Screw
27	573576	Handle Bracket Weld.-R.H.	54	616169	Screw
28	573568	Handle Bracket Weld.-L.H.	55	617159	Spacer
29	616128	Bolt - Hex 3/8-16 x 3/4	56	754028	Decal - Caution
			57	156828	Spacer - Split

5 Hp Chain Drive Tiller  
Model: W24N5-E



KEY NO.	PART NO.	DESCRIPTION
1	616342	Locknut - 5/16-18
2	156208	Screw-Set 5/16-18 x 1/4
3	555672	Pivot Bar Weldment
4	624908	Locknut - 3/8-16
5	555680	Idler Arm
6	170621	Forward Idler Pulley
7	619106	Forward Belt
8	619148	Belt Keeper
9	615708	Washer - 5/16
10	615583	Bolt - Hex 5/16-18 x 5/8
11	312355	Bolt - Hex 3/8-16 x 2
12	619098	Driven Pulley - Forward
13	615716	Washer - Plain 3/8
14	617886	Bushing
15	617928	Forward Spring
16	617878	Special Bushing
17	616003	Bolt - Hex 3/8-16 x 2 3/4

5 Hp Chain Drive Tiller  
Model: W24N5-E



KEY NO.	PART NO.	DESCRIPTION	KEY NO.	PART NO.	DESCRIPTION
1	572719	Chain Case - RH	19	616151	Nut - Lock 1/4-20
2	618231	Gasket - Chain Case	20	615526	Bolt -1/4-20 x 5/8
3	572701	Chain Case - LH	21	618991	Sprocket Weldment
4	619049	Bearing - 1/2 ID	22	572917	Tine Assembly-RH Ext.
5	619031	Shaft - Input	23	617373	Tube & Plate Weldment
6	619064	Spacer - Input Shaft	24	573113	Tine Assembly-RH Basic
7	619056	Bearing - 5/8 ID	25	619460	Tube & Plate Weldment
8	619023	Chain-No. 40-42	26	573121	Tine Assembly-LH Basic
9	619015	Chain-No. 50-42	27	616227	Pin - Hair
10	617597	Bushing	28	616532	Pin - Tine
11	618025	Spindle	29	615633	Nut - 3/8-24
12	618116	Axle Weldment	30	615666	Washer - Locks
13	619007	Spacer-Axle	31	617365	Tube & Plate Weldment
14	618975	Bushing-Axle	32	617209	Tine Blade-RH
15	618066	Spacer-Axle Cup	33	617217	Tine Blade-LH
16	616565	Seal-Axle	34	624940	Bolt - 3/8-24 x 1
17	616003	Bolt - 3/8-16 x 2 1/2	35	572909	Tine Assembly-LH Ext.
18	624908	Nut - Lock 3/8-16			