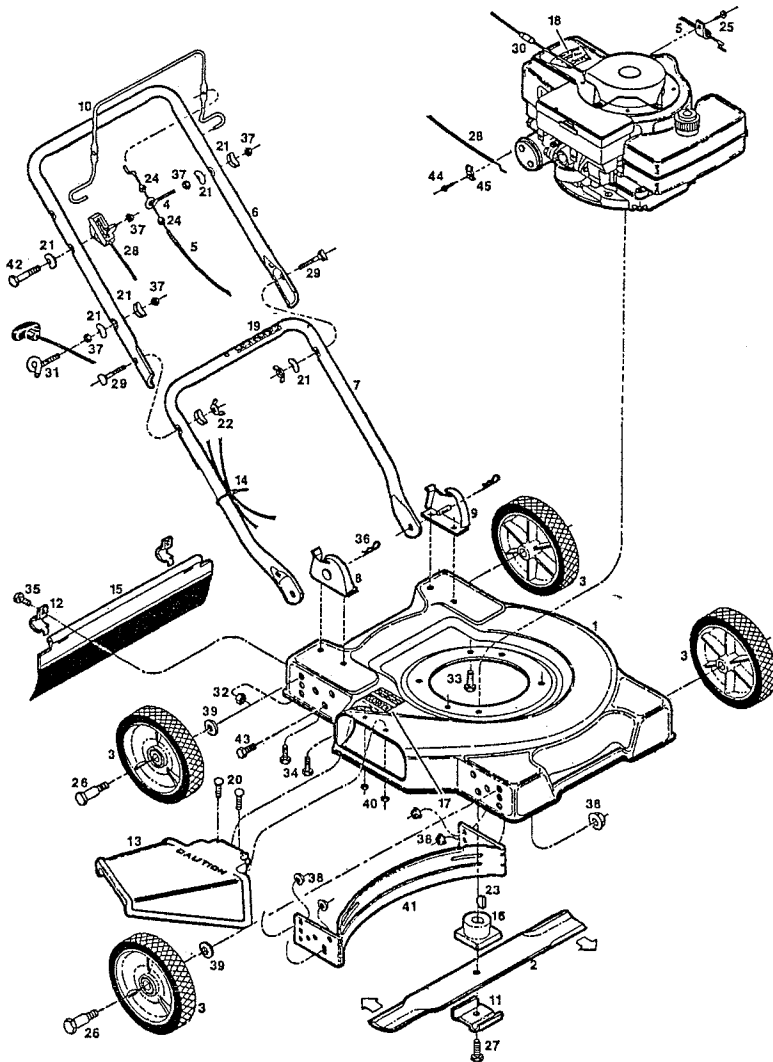


**20" Rotary Mower
Model WB20TF Wheeler
WE20TF Wheeler
C20TF
Grass Catcher GC-6A**



INDEX NO.	PART NO.	DESCRIPTION
1	012963	Deck 20"
2	030031	Blade 20" Flat
3	041525	Wheel-7" Plastic-Diamond
4	155234	Eyebolt-Cable Mounting
5	051474	Cable-Engine/Blade Control
6	071076	Handle-Upper
7	071563	Handle-Lower
8	107086	Handle Bracket-Right Hand
9	107094	Handle Bracket-Left Hand
10	104687	Bail-Engine/Blade Control
11	106336	Washer-Blade Adapter
12	106914	Clip-Trailing Shield
13	110221	Chute Deflector Assembly
14	110379	Cable Tie
15	111609	Trailing Shield
16	133231	Blade Adapter
17	144063	Decal-C.P.S.C. Danger
18	001461	Decal-Blade Warning
19	144899	Decal-Starting Instructions
20	150011	Bolt-Carriage 1/4-20 x 5/8
21	150201	Washer-Curved 5/16
22	150235	Wingnut 5/16-18
23	150276	Woodruff Key #6
24	152223	Nut-Jam Hex 5/16-24
25	156869	Bolt-Hex Head 10-32 x 3/8
26	150730	Shoulder Bolt-Wheel
27	150862	Bolt-Blade 3/8-24 x 1-1/4 Gr. 8
28	051219	Throttle Control
29	151928	Bolt-Curved Head 5/16-18 x 1-3/4
30	152074	Rope Stop
31	152371	Rope Guide
32	452318	Nut #10-24 HX Nylon Insert
33	457168	Bolt-Hex Head Self Tap 3/8-16 x 7/8
34	457499	Bolt-Self Tap 1/4-20 x 5/8
35	458687	Bolt #10-24 x 1/2
36	715011	Hairpin Cotter
37	715037	Nut-Keps 1/4-20
38	451492	Nut-3/8-16 Top Lock
39	715607	Washer-Belleville
40	715508	Locknut 1/4-20 Top
41	101519	Baffle
42	450379	Bolt 1/4-20 x 1 3/4
43	715201	Bolt 3/8-16 x 3/4
44	156869	Screw #10-32 x 3/8 Hex
45	150318	Clamp-Throttle Cable

NOTE: Parts are right or left hand as viewed from operator position.

Approximate cutting heights 7/8" to 2-3/8"
Specifications subject to change without prior notice.