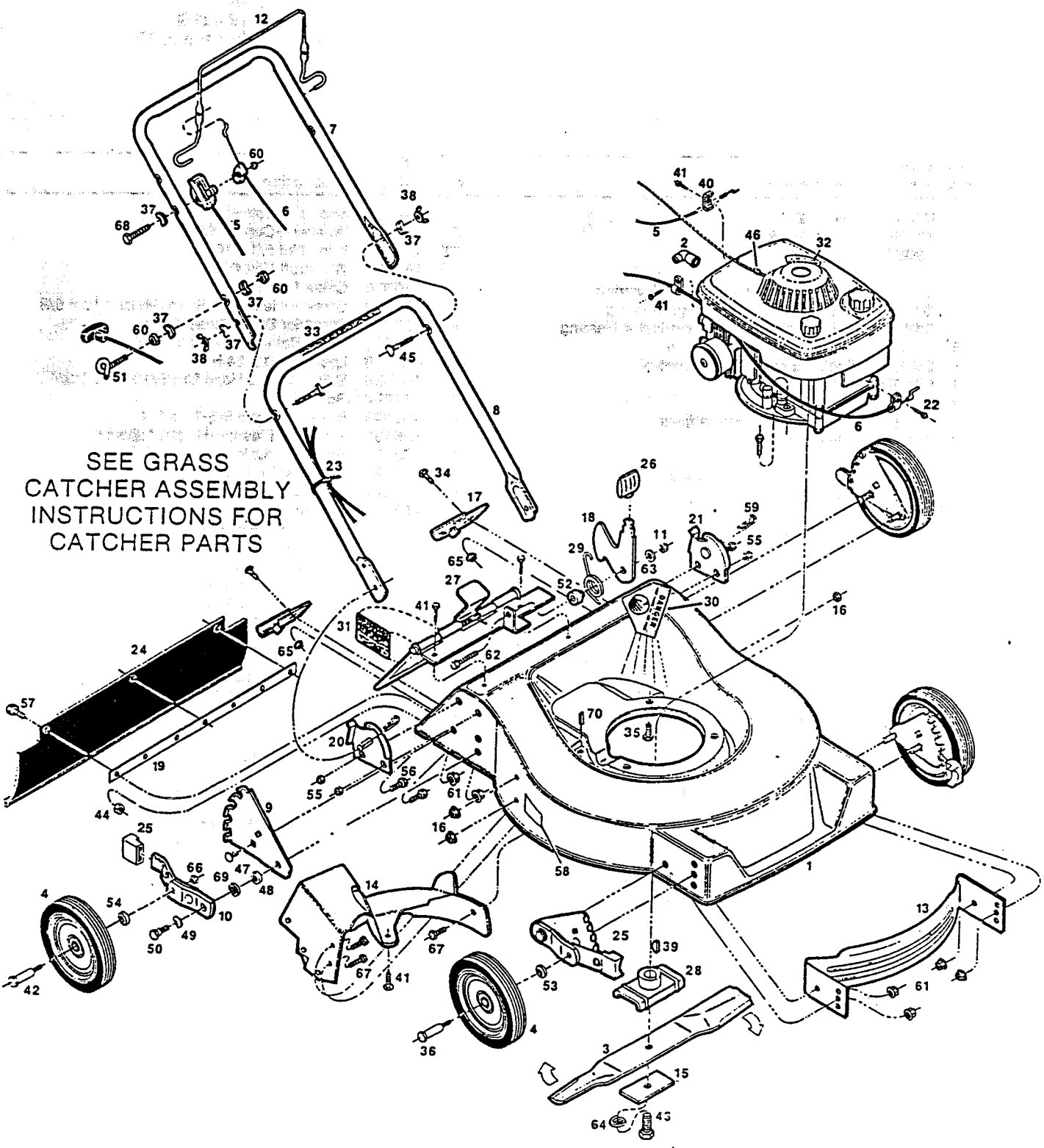


21" REAR BAGGING ROTARY MOWER
MODEL WBBM21G
 Grass Catcher see p. 62



SEE GRASS
 CATCHER ASSEMBLY
 INSTRUCTIONS FOR
 CATCHER PARTS

8HP COUNTER ROTATING REAR TINE TILLER
MODEL: WT48H

Index No.	Part No.	Description
1	592378	Case - transmission w/bmgs & seals (Includes one each of 4, 5, 8, 9 and 29)
2	159020	Bolt - hex 3/8-16 x 1-1/2
3	715086	Nut - hex lock 3/8-16
4	616383	Seal - oil, worm shaft
5	616524	Bearing - needle worm shaft
6	617019	Bolt - hex 5/16-18 x 7/8
7	311118	Washer - split lock 5/16
8	616391	Seal - oil, axle
9	617241	Bearing - needle, axle
10	592386	Cover - side w/bmg & seals (Includes one each of 8, 9 and 29)
11	617035	Gasket - cover
12	616417	Washer - thrust
13	616466	Pin - worm gear
14	624452	Gear - worm
15	623744	Axle - tine
16	545582	Bearing - worm shaft
17	617084	Shaft - worm
18	615500	Plug - pipe
	616912	Plug - breather
19	155515	Pin - roll 1/4 x 1-1/8
20	624429	Worm - drive
21	621334	Shim .003 (as required)
22	621342	Shim .005 (as required)
23	622506	Shim .020 (as required)
24	616433	Plug - seal
25	616441	O-ring
26	616425	Ring-retainer
27	592022	Transmission assembly
28	623504	Collar - worm
29	762245	Cover - hub seal

517037 SHIM KIT - Consists of (5) .005 thick shims, (1) .003 thick shim and (1) .020 thick shim. Worm shaft to be shimmed to 0 to .005 end play.