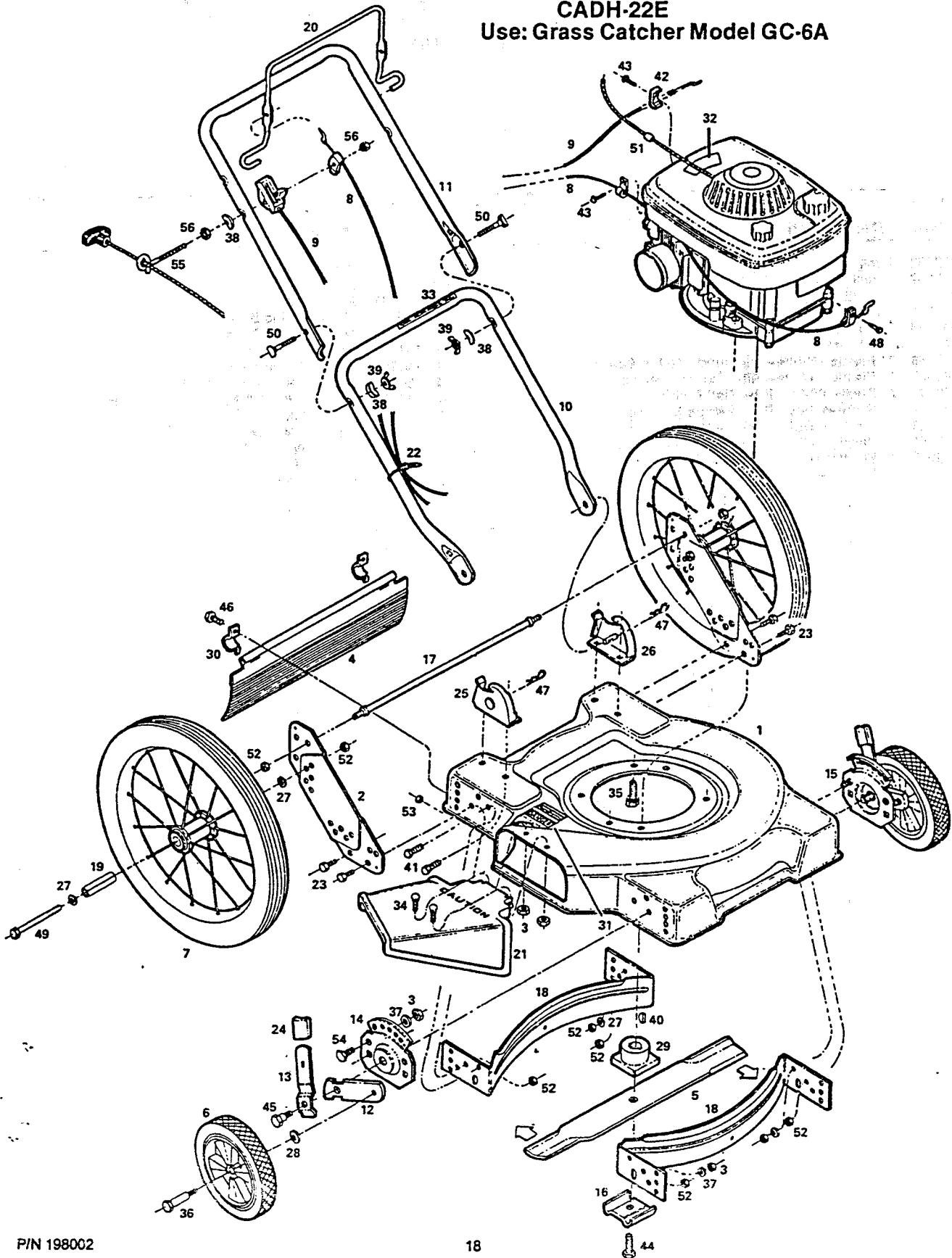


22" Side Discharge High Wheel Rotary Mower
Model: WDH-22E
CHDH-22E
CADH-22E
Use: Grass Catcher Model GC-6A



22" Side Discharge High Wheel Rotary Mower
Model: WDH-22E
CHDH-22E
CADH-22E
Use: Grass Catcher Model GC-6A

Index No.	Part No.	Description	Index No.	Part No.	Description
1	028738	Deck 22" Green	21	110221	Chute Deflector Assembly*
	028720	Deck 22" Red	22	110379	Cable Tie
	029686	Deck 22" Orange	23	715201	Hex Head Bolt 3/8-16 x 3/4
2	012674	Wheel Bracket	24	111559	Plastic Tip—Setting Lever*
3	715508	Hex Locknut 1/4-20	25	107086	Handle Bracket RH
4	111617	Trailing Shield Plastic*	26	107094	Handle Bracket LH
5	030049	Blade 22" Flat	27	715417	Washer Flat 3/8 SAE*
6		Wheel Assemblies*	28	715607	Washer 3/8 Belleville
	040246	7" Plastic—White—Diamond—Nylon Bearing	29	133231	Blade Adapter
	040022	7" Plastic—White—Rib—Roller Bearing	30	106914	Clip—Trailing Shield*
	040386	7" Steel—White—Rib—Ball Bearing	31	144063	Decal—C.P.S.C. Danger
	041046	7" Steel—White—Rib—Flange Bearing	32	001467	Decal—Blade Warning
	040733	8" Plastic—White—Slick—Nylon Bearing	33	144899	Decal—Starting Instructions
	040741	8" Plastic—White—Cog—Nylon Bearing	34	150011	Carriage Bolt 1/4-20 x 5/8
	040030	8" Plastic—White—Rib—Roller Bearing	35	457168	Bolt 3/8-16 x 7/8 Hex HD THD Form
	040303	8" Plastic—White—Cog—Roller Bearing	36	150730	Wheel Bolt Front
	040451	8" Steel—White—Rib—Ball Bearing	37	462093	Washer 1/4" Flat
	040634	8" Steel—White—Cog—Ball Bearing	38	150201	Curved Washer 5/16
	040857	8" Plastic—White—Diamond—Nylon Bearing	39	150235	Wingnut 5/16-18
	040865	8" Plastic—White—Diamond—Roller Bearing	40	150276	Woodruff Key #6
	041111	8" Steel—White—Rib—Flange Bearing	41	457499	Bolt 1/4-20 x 1/2 Hex HD THD Form
7	040410	Wheel 16 x 1.75	42	150318	Cable Clamp
8	051037	Cable—Engine/Blade Control*	43	150623	Self Tap Screw #10 x 5/8
9	051235	Control—Throttle w/Cable	44	150862	Blade Bolt
10	071563	Handle—Lower	45	153650	Shoulder Bolt—Height Adjuster*
11	071076	Handle—Upper	46	458687	Bolt—Hex HD #10-24 x 1/2
	071084	Handle—Upper with Cushion Grip*	47	715011	Hitch Pin #3
12	777862	Wheel Lever—Height Adjuster*	48	151613	Hex Head Bolt #10-32 x 3/8 SEMS
13	776500	Setting Lever—Height Adjuster*	49	151647	Hex Head Bolt 3/8-16 x 4
14	428664	Back Plate—Height Adjuster RH Front*	50	151928	Curved Head Bolt 5/16-18 x 1-3/4
15	428714	Back Plate—Height Adjuster LH Front*	51	152074	Rope Stop
16	106336	Blade Washer	52	715086	Locknut 3/8-16*
17	100396	Stabilizer Bar	53	452318	Nut—#10-24 Nylon Insert
18	101519	Baffle—Deck	54	715045	Hex Head Bolt 1/4-20 x 3/4
19	103424	Spacer—Wheel Sleeve	55	152629	Rope Guide
20	104687	Bail—Engine/Blade Control	56	715037	Keps Nut 1/4-20

NOTE: PARTS ARE RIGHT OR LEFT HAND AS VIEWED FROM THE OPERATOR POSITION.

* INDICATES OPTIONAL EQUIPMENT