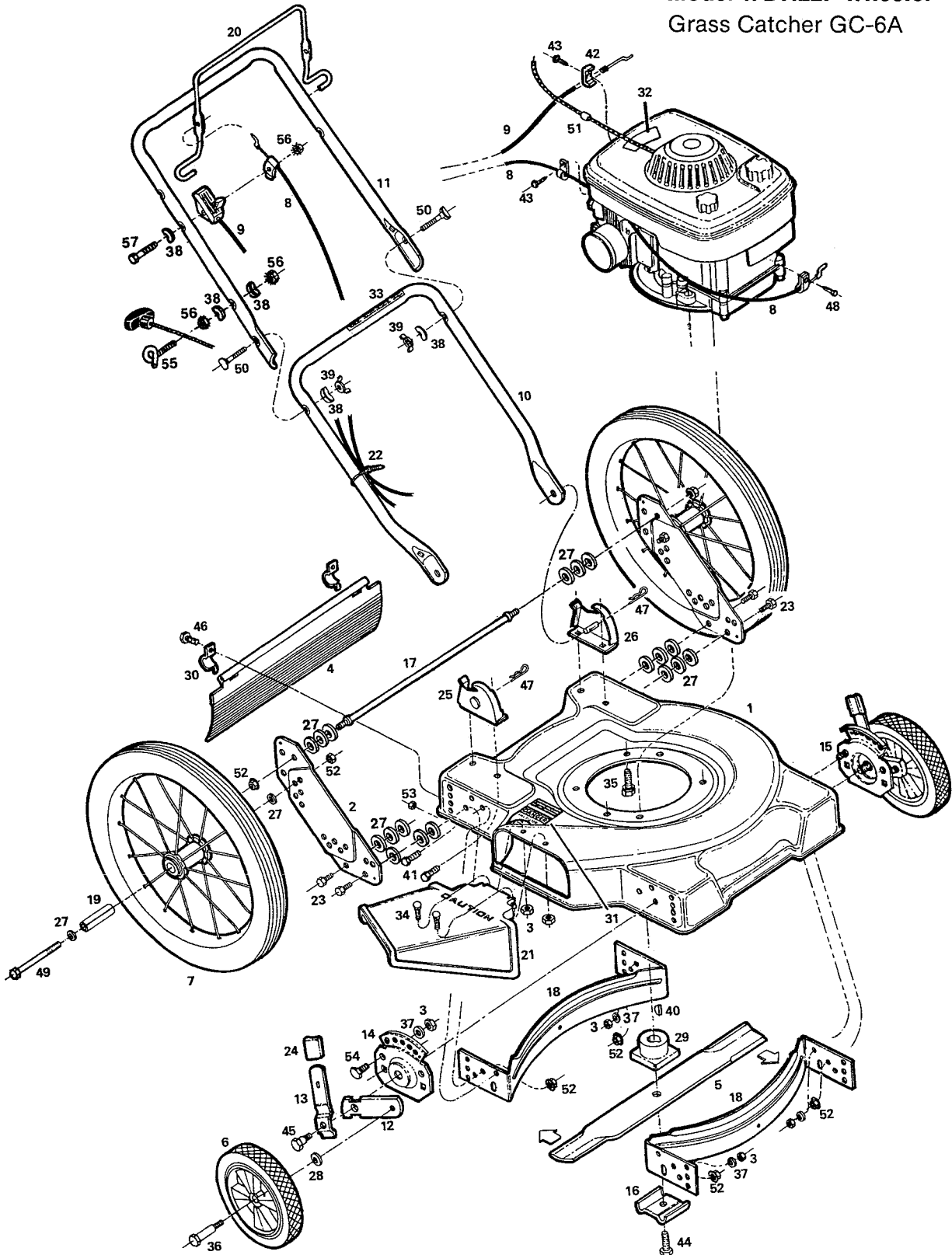


22" High Wheel Rotary Mower
Model WDH22F Wheeler
Grass Catcher GC-6A



**22" High Wheel Rotary Mower
Model WDH22F Wheeler
Grass Catcher GC-6A**

Index No.	Part No.	Description
1	013433	Deck 22" Green
2	012674	Bracket-Wheel
3	715508	Nut-1/4-20 Hx Lock
4	111617	Shield—Plastic Trailing*
5	030049	Blade-22" Flat
6		Wheel Assemblies•
	040246	7" Plastic—White—Diamond—Nylon Bearing
	040022	7" Plastic—White—Rib—Roller Bearing
	040386	7" Steel—White—Rib—Ball Bearing
	041046	7" Steel—White—Rib—Flange Bearing
	040733	8" Plastic—White—Slick—Nylon Bearing
	040741	8" Plastic—White—Cog—Nylon Bearing
	040030	8" Plastic—White—Rib—Roller Bearing
	040303	8" Plastic—White—Cog—Roller Bearing
	040451	8" Steel—White—Rib—Ball Bearing
	040634	8" Steel—White—Cog—Ball Bearing
	040857	8" Plastic—White—Diamond—Nylon Bearing
	040865	8" Plastic—White—Diamond—Roller Bearing
	041111	8" Steel—White—Rib—Flange Bearing
7	040410	Wheel-16 x 1.75
8	051466	Cable—Engine/Blade Control*
9	051235	Control—Throttle w/Cable
10	071563	Handle—Lower
11	071076	Handle—Upper
	071084	Handle—Upper with Cushion Grip•
12	777862	Wheel Lever—Height Adjuster•
13	776500	Setting Lever—Height Adjuster•
14	428664	Back Plate—Height Adjuster RH Front•
15	428714	Back Plate—Height Adjuster LH Front•
16	106336	Washer-Blade
17	100396	Bar-Stabilizer
18	101519	Baffle-Deck
19	103424	Spacer—Wheel Sleeve
20	104687	Bail—Engine/Blade Control
21	110221	Chute Deflector Assembly*
22	110379	Tie—Cable

Index No.	Part No.	Description
23	715326	Bolt—3/8-16 x 1 Hx Hd
24	111559	Plastic Tip—Setting Lever•
25	107086	Bracket-RH Handle
26	107094	Bracket-LH Handle
27	715417	Washer-3/8 SAE Flat•
28	715607	Washer-3/8 Belleville
29	133231	Adapter-Blade
30	106914	Clip—Trailing Shield*
31	144063	Decal—C.P.S.C. Danger
32	001206	Decal—Blade Warning
33	144899	Decal—Starting Instructions
34	150011	Bolt-1/4-20 x 5/8 Carriage
35	457168	Bolt-3/8-16 x 7/8 Hx Hd Thd Forming
36	150060	Bolt-Front Wheel
37	462093	Washer-1/4" Flat
38	150201	Washer-5/16 Curved
39	150235	Wingnut-5/16-18
40	150276	Key-#6 Woodruff
41	457499	Bolt-1/4-20 x 1/2 Hx Hd Thd Forming
42	150318	Clamp—Cable
43	150623	Screw-#10 x 5/8 Self-Tap
44	150862	Bolt-Blade
45	153650	Bolt-Shoulder Height Adjuster•
46	458687	Bolt-#10-24 x 1/2 Hx Hd
47	715011	Pin-#3 Hitch
48	151613	Bolt-#10-32 x 3/8 Hx Hd SEMS
49	151647	Bolt-3/8-16 x 4 Hx Hd
50	151928	Bolt 5/16-18 x 1-3/4 Curved Hd
51	152074	Stop-Rope
52	451492	Nut-3/8-16 TopLock Flange
53	452318	Nut-#10-24 Nylon Insert
54	715045	Bolt-1/4-20 x 3/4 Hx Hd
55	152371	Guide-Rope
56	715037	Nut-1/4-20 Keps
57	153874	Bolt-1/4-20 x 2-1/4 Hx Hd Gr 2

**NOTE: PARTS ARE RIGHT OR LEFT HAND AS VIEWED FROM THE OPERATOR POSITION.
SPECIFICATIONS SUBJECT TO CHANGE WITHOUT PRIOR NOTICE
•INDICATES OPTIONAL EQUIPMENT**