

IF YOUR UNIT DOES NOT HAVE REVERSE PLEASE DISREGARD REVERSE DRIVE PARTS

5 Hp Chain Drive Tiller
Model: WDTW5-E

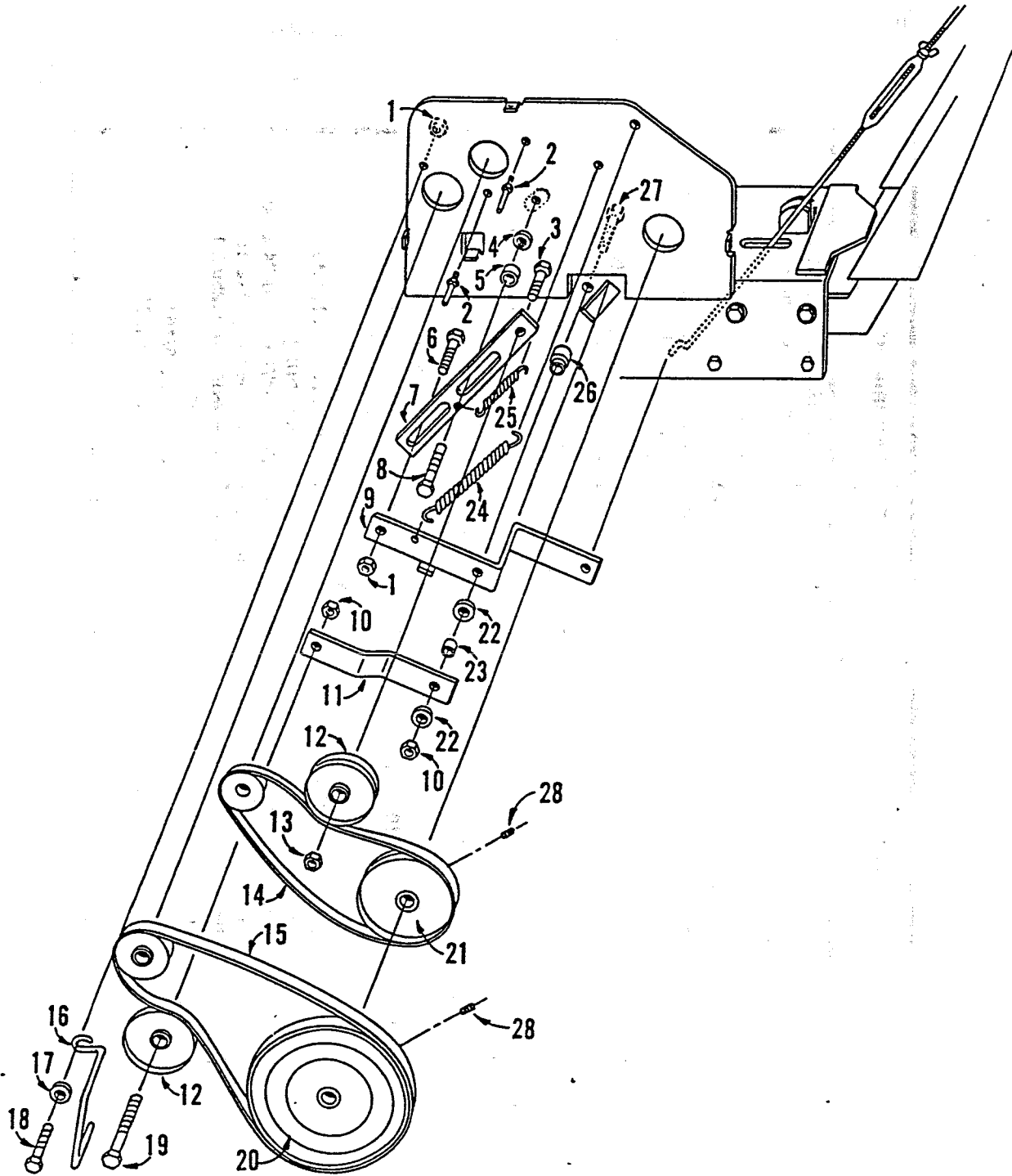
KEY NO.	PART NO.	DESCRIPTION	KEY NO.	PART NO.	DESCRIPTION
1		Engine Briggs & Stratton	30	615666	Lock Washer-.375 Nom.
2	616839	Key-.188 Square	31	618074	Stabilizer Weldment
3	446773	Key-Woodruff	32	618041	Lock Pin
4	618744	Pulley-2.00 O.D.	33	618033	Pivot Pin
5	619122	Pulley-Reverse Engine	34	572362	Stake
6	616342	Hex Locknut-.312-18	35	615997	Carriage Bolt-.312-18 x .625
7	573600	Dirt Shield	36	573899	Handle Panel
8	624932	Screw-.250-20 x .500	37	555177	Shift Lever
9	572602	L.H. Chassis	38	617100	Shoulder Bolt-.312-18 x .875
10	572594	R.H. Chassis	39	617118	Spring Washer-.312
11	616102	Hex Bolt-.312-18 x 1.50	40	628651	Knob-Threaded
12	573543	Top Plate	41	615559	Stud
13	573550	Bottom Plate	42	616037	Screw-.312-18 x 1.50
14	312066	Hex Bolt-.312-18 x .75	43	572768	Handle Bar
15	615583	Hex Bolt-.312-18 x .62	44	616748	Handle Grip
16	618561	Throttle Control	45	616888	Connecting Rod
17	572743	Wheel Yoke Weldment	46	616847	Turn Buckle
18	498808	Wheel (Plastic) 10 inch	47	715094	Lockwasher-.250 Nom.
	510915	Wheel (Steel) 10 inch	48	152330	Wingnut-.250-20
19	616516	Hex Bolt-.500-13 x 3.00	49	618173	Linkage Rod
20	151241	Flat Washer-.500 Nom.	50	618579	Throttle Control Plate
21	615674	Lock Washer-.500 Nom.	51	617654	Stake Spring
22	615625	Hex Nut-.500-13	52	624916	Screw-HWH TS 10-24 x .50
23	616532	Clevis Pin	53	617514	Screw-Self Tap .312-18
24	616227	Hair Pin	54	616169	Screw-Self Tap .250 x 1
25	573592	Side Plate	55	617159	Spacer
26	573618	Sheave Cover	56	156208	Screw-Set 5/16"
27	573576	R.H. Handle Bracket	57	156828	Spacer-Split 1/2"
28	573568	L.H. Handle Bracket	58	754028	Decal - Caution
29	616128	Hex Bolt-.375-16 x .75	59	616011	Screw-Set #10

IF YOUR UNIT DOES NOT HAVE REVERSE PLEASE DISREGARD REVERSE DRIVE PARTS

5 Hp Chain Drive Tiller
Model: WDTW5-E

5 Hp Chain Drive Tiller
Model: WDTW5-E

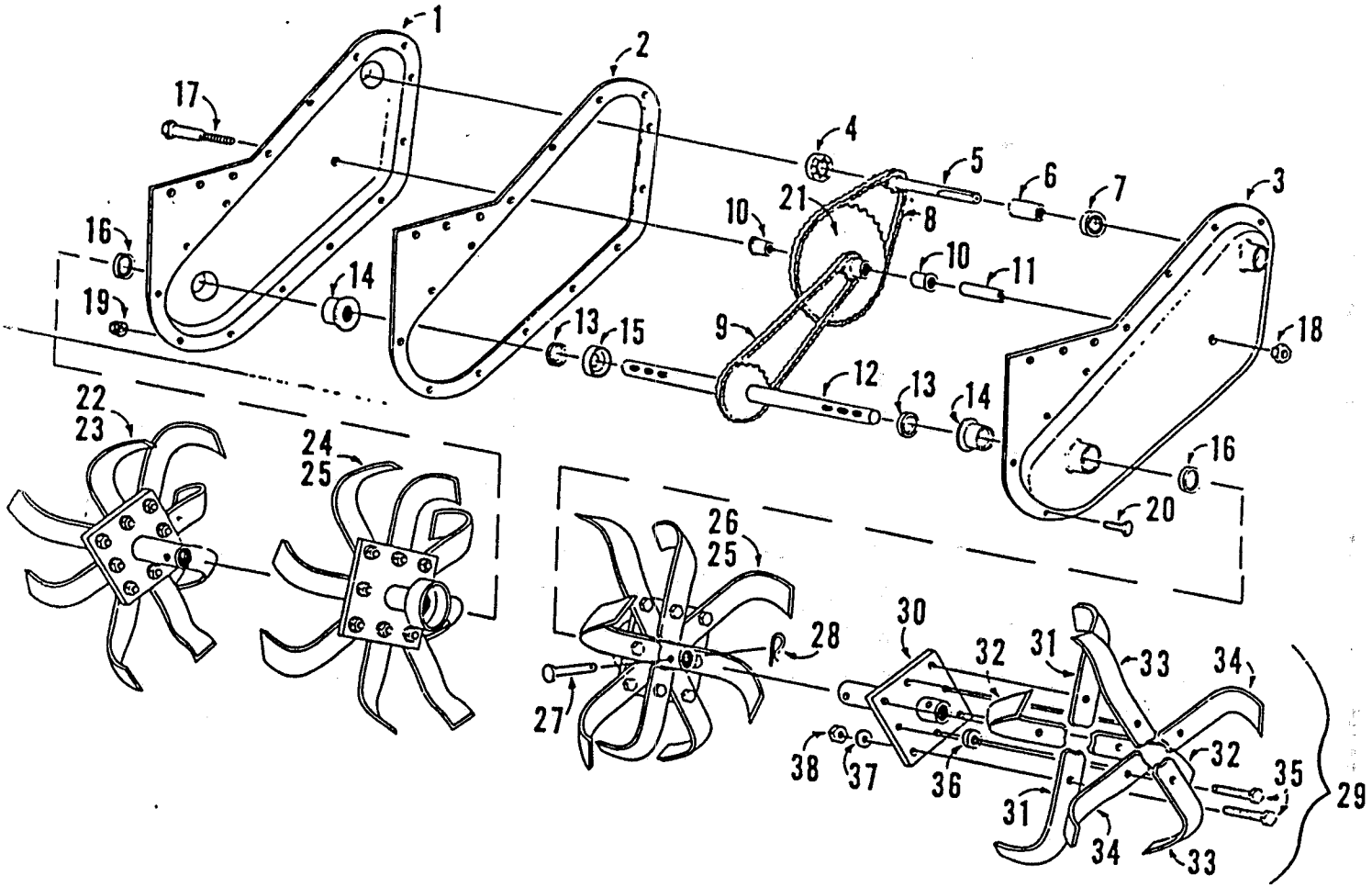
IF YOUR UNIT DOES NOT HAVE REVERSE PLEASE DISREGARD REVERSE DRIVE PARTS



**5 Hp Chain Drive Tiller
Model: WDTW5-E**

IF YOUR UNIT DOES NOT HAVE REVERSE PLEASE DISREGARD REVERSE DRIVE PARTS

KEY NO.	PART NO.	DESCRIPTION
1	616342	Hex Locknut-.312-18
2	617852	Pin - Belt Keeper
3	457176	Hex Bolt-.375-16 x 1.25
4	311118	Lockwasher-.312 Nom.
5	617894	Spacer-Reverse Pull Bar
6	617399	Shoulder Bolt-.312-18 x 1.00
7	555664	Pull Bar
8	617100	Shoulder Bolt-.312-18 x .875
9	555672	Pivot Bar Weldment
10	624908	Hex Locknut-.375-16
11	555680	idler Arm
12	616367	Forward Idler Pulley
13	715524	Hex Jam Locknut-.375-16
14	619213	Belt-Reverse
15	619106	Belt-Forward
16	619148	Belt Keeper
17	615708	Washer-.312
18	615583	Hex Bolt-.312-18 x .625
19	312355	Hex Bolt-.375-16 x 2.00
20	615098	Driven Pulley - Fwd.
21	619114	Pulley Driven - Rev.
22	615716	Flat Washer-.375 Nom.
23	617886	Bushing-Idler
24	617928	Spring-Forward
25	617985	Spring-Reverse
26	617878	Special Bushing
27	616003	Hex Bolt-.375-16 x 1.75
28	156208	Screw-Set 5/16



IF YOUR UNIT HAS EIGHT BLADE TINE ASSEMBLIES, ORDER PARTS FROM THIS PAGE

5 Hp Chain Drive Tiller
Model: WDTW5-E

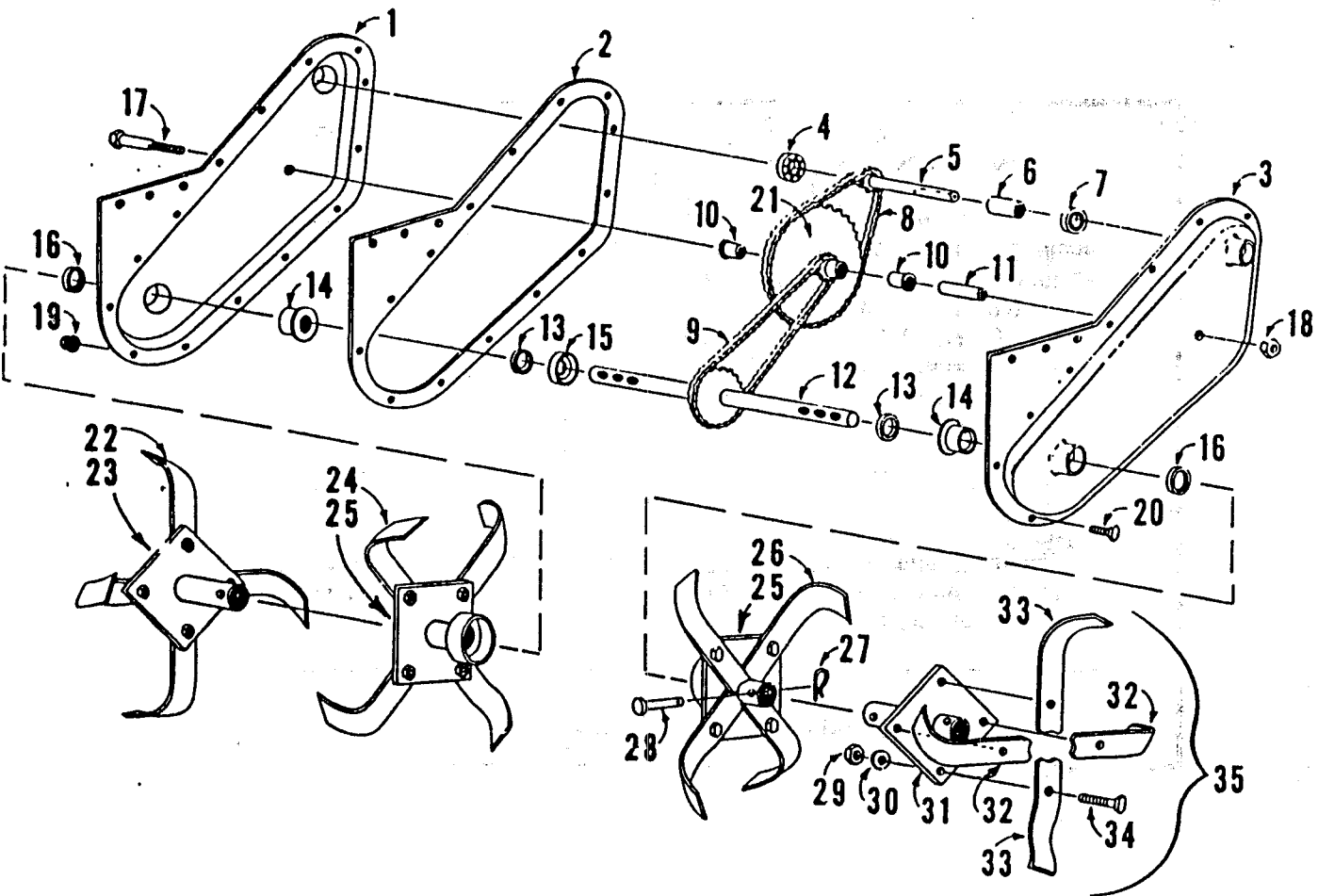
KEY NO.	PART NO.	DESCRIPTION	KEY NO.	PART NO.	DESCRIPTION
1	572719	Chain Case - R.H.	20	615526	Bolt-.250-20 x .625
2	618231	Gasket - Chain Case	21	618991	Sprocket Weldment
3	572701	Chain Case - L.H.	22	571513	Tine Assembly-R.H. Ext.
4	619049	Bearing-Ball .500 I.D.	23	617746	Tube & Plate Weldment
5	619031	Input Shaft	24	572727	Tine Assembly-R.H. Basic
6	619064	Spacer-Input Shaft	25	619502	Tube & Plate Weldment
7	619056	Bearing-Ball .625 I.D.	26	572735	Tine Assembly-L.H. Basic
8	619023	Chain-No. 40-42 Pitch	27	616532	Tine Pin
9	619015	Chain-No. 50-42 Pitch	28	616227	Hair Pin
10	617597	Bearing-Oilite Input Set	29	571521	Tine Assembly L.H. Ext.
11	618025	Spindle	30	617738	Tube & Plate Weldment
12	618116	Axle Weldment	31	617209	Tine Blade R.H. 13.0 Slicer
13	619007	Spacer-Axle	32	617217	Tine Blade L.H. 13.0 Slicer
14	618975	Bearing-Axle	33	616656	Tine Blade R.H. 11.0 Slicer
15	619066	Spacer-Axle (Cup)	34	616649	Tine Blade L.H. 11.0 Slicer
16	616565	Seal-Axle Shaft	35	624957	Bolt-.375-24 x 1.25 Gr. 5
17	616003	Bolt-.375-16 x 2.375	36	617787	Spacer
18	624908	Nut-.375-16 Lock	37	615666	Lockwasher-.375 Nom.
9	616151	Nut-.250-20 Lock	38	615633	Nut .375-24

IF YOUR UNIT HAS EIGHT BLADE TINE ASSEMBLIES, ORDER PARTS FROM THIS PAGE

5 Hp Chain Drive Tiller
Model: WDTW5-E

5 Hp Chain Drive Tiller
 Model: WDTW5-E

IF YOUR UNIT HAS FOUR BLADE TINE ASSEMBLIES, ORDER PARTS FROM THIS PAGE



KEY NO.	PART NO.	DESCRIPTION	KEY NO.	PART NO.	DESCRIPTION
1	572719	Chain Case - R.H.	19	616151	Locknut .250-20
2	618231	Gasket - Chain Case	20	615526	Bolt-.250-20 x .625
3	572701	Chain Case - L.H.	21	618983	Sprocket Weldment
4	619049	Bearing-Ball .500 I.D.	22	617332	Tine Assembly-R.H. Ext.
5	619031	Input Shaft	23	617373	Tube & Plate Weldment
6	619064	Spacer Input Shaft	24	619478	Tine Assembly-R.H. Basic
7	619056	Bearing-Ball .625 I.D.	25	619460	Tube & Plate Weldment
8	619023	Chain No. 40-42	26	619486	Tine Assembly-L.H. Basic
9	619015	Chain No. 50-42	27	616227	Hair Pin
10	617597	Bearing-Oilite Input Set	28	616532	Tine Pin
11	618025	Spindle	29	615633	Hex Nut-.375-24
12	618116	Axle Weldment	30	615666	Lockwasher-.375 Nom.
13	619007	Spacer-Axle	31	617365	Tube & Plate Weldment
14	618975	Bearing-Axle	32	617209	Tine Blade-R.H. 13.0 Slicer
15	618066	Spacer-Axle (Cup)	33	617217	Tine Blade-L.H. 13.0 Slicer
16	616565	Seal-Axle	34	624940	Bolt-.375-24 x 1.00
17	616003	Bolt-.375-16 x 2.375	35	617324	Tine Assembly L.H. Ext.
18	624908	Lock Nut .375-16			

IF YOUR UNIT HAS FOUR BLADE TINE ASSEMBLIES, ORDER PARTS FROM THIS PAGE

5 Hp Chain Drive Tiller
Model: WDTW5-E