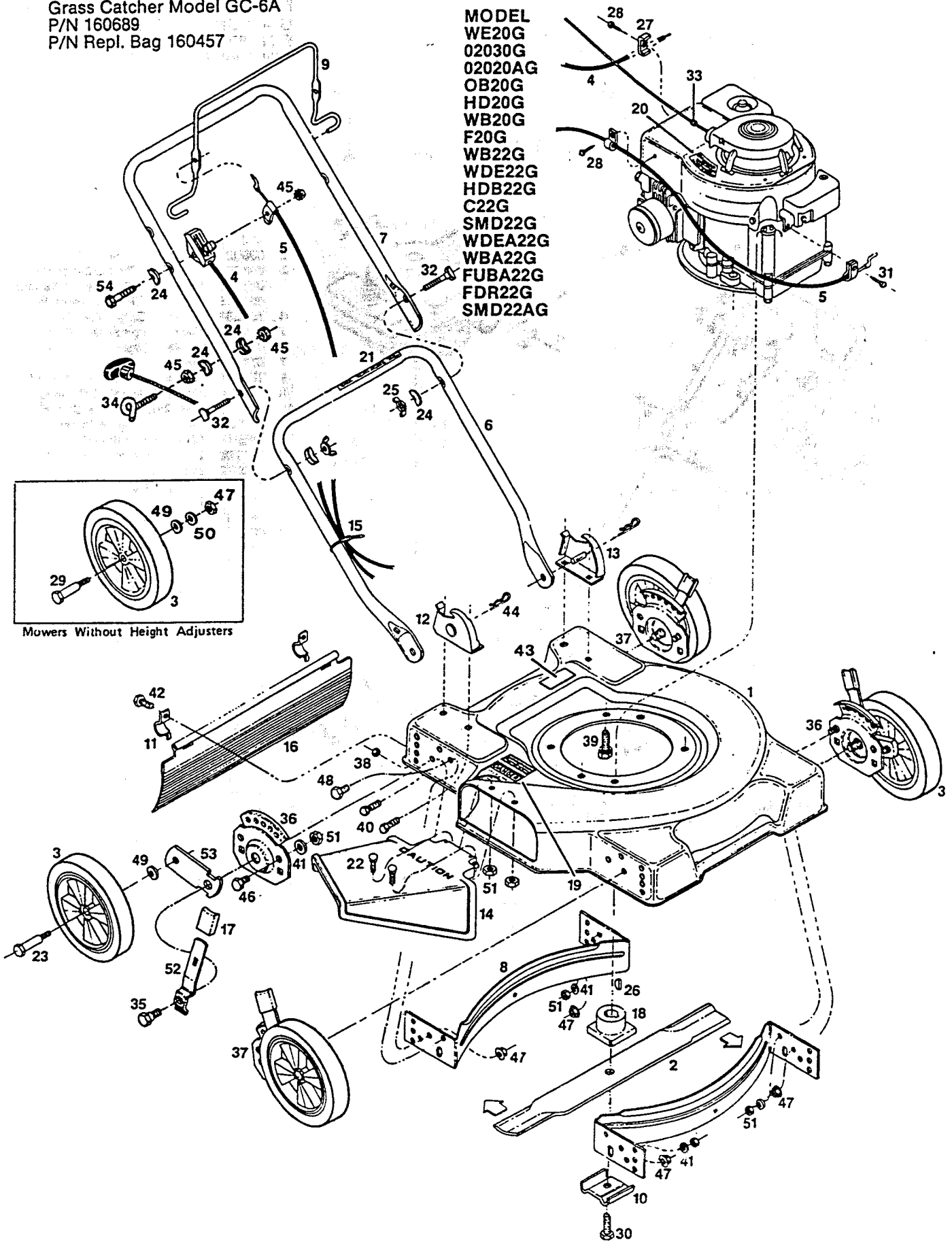


20"/22" ROTARY MOWER
 Grass Catcher Model GC-6A
 P/N 160689
 P/N Repl. Bag 160457

MODEL
 WE20G
 02030G
 02020AG
 OB20G
 HD20G
 WB20G
 F20G
 WB22G
 WDE22G
 HDB22G
 C22G
 SMD22G
 WDEA22G
 WBA22G
 FUBA22G
 FDR22G
 SMD22AG



Mowers Without Height Adjusters

MODEL
WE20G
02030G
02020AG
OB20G
HD20G
WB20G
F20G
WB22G

WDE22G
HDB22G
C22G
SMD22G
WDEA22G
WBA22G
FUBA22G
FDR22G
SMD22AG

20"/22" ROTARY MOWER
Grass Catcher Model GC-6A
P/N 160689
P/N Repl. Bag 160457

| Index No. | Part No. | Description | Index No. | Part No. | Description |
|-----------|----------|---|-----------|----------|--|
| 1 | 013425 | Deck 20" | 21 | 144899 | Decal-Starting Instructions |
| | 013433 | Deck 22" | 22 | 150011 | Bolt-Carriage 1/4-20 x 5/8 |
| 2 | 030031 | Blade-20" Flat | 23 | 150060 | Wheel Bolt w/Hgt. Adj.* |
| | 030049 | Blade-22" Flat | 24 | 150201 | Washer-Curved 5/16 |
| 3 | | Wheel Assembly* | 25 | 150235 | Wingnut 5/16-18 |
| | 041012 | 6" Plastic - White - Diamond | 26 | 150276 | Woodruff Key #6 |
| | 041533 | 6½" Plastic - White - Diamond | 27 | 150318 | Cable Clamp |
| | 040246 | 7" Plastic-White-Diamond (as illustrated) | 28 | 150623 | Screw-Sheet Metal #10 x 5/8 |
| | 041525 | 7" Plastic-White-Diamond | 29 | 150730 | Wheel Bolt w/o Hgt. Adj.* |
| | 041046 | 7" Steel - White-Rib-Flange Bearing | 30 | 162024 | Bolt-Blade |
| | 040857 | 8" Plastic-White-Diamond | 31 | 151613 | Bolt-Hex Head #10-32 x 3/8 Sems |
| | 040865 | 8" Plastic-White-Diamond-Roller Bearing | 32 | 151928 | Bolt-Curved Head 5/16-18 x 1 3/4 |
| | 041111 | 8" Steel-White-Rib-Flange Bearing | 33 | 152074 | Rope Stop |
| 4 | 051219 | Control-Throttle w/Cable | 34 | 152371 | Rope Guide |
| 5 | 051466 | Cable-Engine Blade Control | 35 | 153650 | Shoulder Bolt-Hgt. Adj.* |
| 6 | 071563 | Handle-Lower | 36 | 428664 | Back Plate-Height Adjuster L.H. Front R.H. Rear* |
| 7 | 071076 | Handle-Upper | 37 | 428714 | Back Plate-Height Adjuster R.H. Front L.H. Rear* |
| | 071084 | Handle-Upper Vinyl Grip | 38 | 452318 | Nut-#10-24 HX Nylon Insert |
| | 072181 | Handle-Upper Cushion Grip | 39 | 457168 | Bolt-3/8-16 x 7/8 Thread Forming |
| 8 | 101519 | Baffle 20/22" Rear or Front* | 40 | 457499 | Bolt-1/4-20 x 1/2 Thread Forming |
| 9 | 104687 | Bail-Engine/Blade Control | 41 | 462093 | Washer-Flat 1/4" |
| | 109470 | Bail-Engine/Blade Control Vinyl Grip | 42 | 458687 | Bolt-Hex Head #10-24 x 1/2 |
| 10 | 106336 | Washer-Blade Adapter | 43 | 714170 | Decal-Model Number |
| 11 | 106914 | Clip-Trailing Shield | 44 | 715011 | Hairpin Cotter |
| 12 | 107086 | Handle Bracket-Right Hand | 45 | 715037 | Nut-Keps 1/4-20 |
| 13 | 107094 | Handle Bracket-Left Hand | 46 | 715045 | Bolt-Hex Head 1/4-20 x 3/4* |
| 14 | 391706 | Chute Deflector Assembly | 47 | 451492 | Locknut 3/8-16 Top TopLock Flange |
| 15 | 110379 | Cable Tie | 48 | 715201 | Bolt-Hex 3/8-16 x 3/4 w/o Hgt. Adj. |
| 16 | 111609 | Trailing Shield-20/22" w/o Hgt. Adj. | 49 | 715607 | Washer-Belleville* |
| | 111617 | Trailing Shield-20/22" w/Hgt. Adj. | 50 | 715417 | Washer 3/8 SAE* |
| 17 | 111559 | Plastic Tip-Setting Lever* | 51 | 715508 | Locknut 1/4-20 Top |
| 18 | 133231 | Blade Adapter | 52 | 776500 | Setting Lever-Height Adjuster* |
| 19 | 144063 | Decal-Danger | 53 | 777862 | Wheel Lever-Height Adjuster* |
| 20 | 001461 | Decal-Blade Warning | 54 | 153874 | Bolt-1/4-20 x 2 1/4 Hex Head |

• INDICATES OPTIONAL EQUIPMENT

• INDICATES OPTIONAL EQUIPMENT

NOTE: Parts are right or left hand as viewed from operator position.
 Specifications subject to change without prior notice.