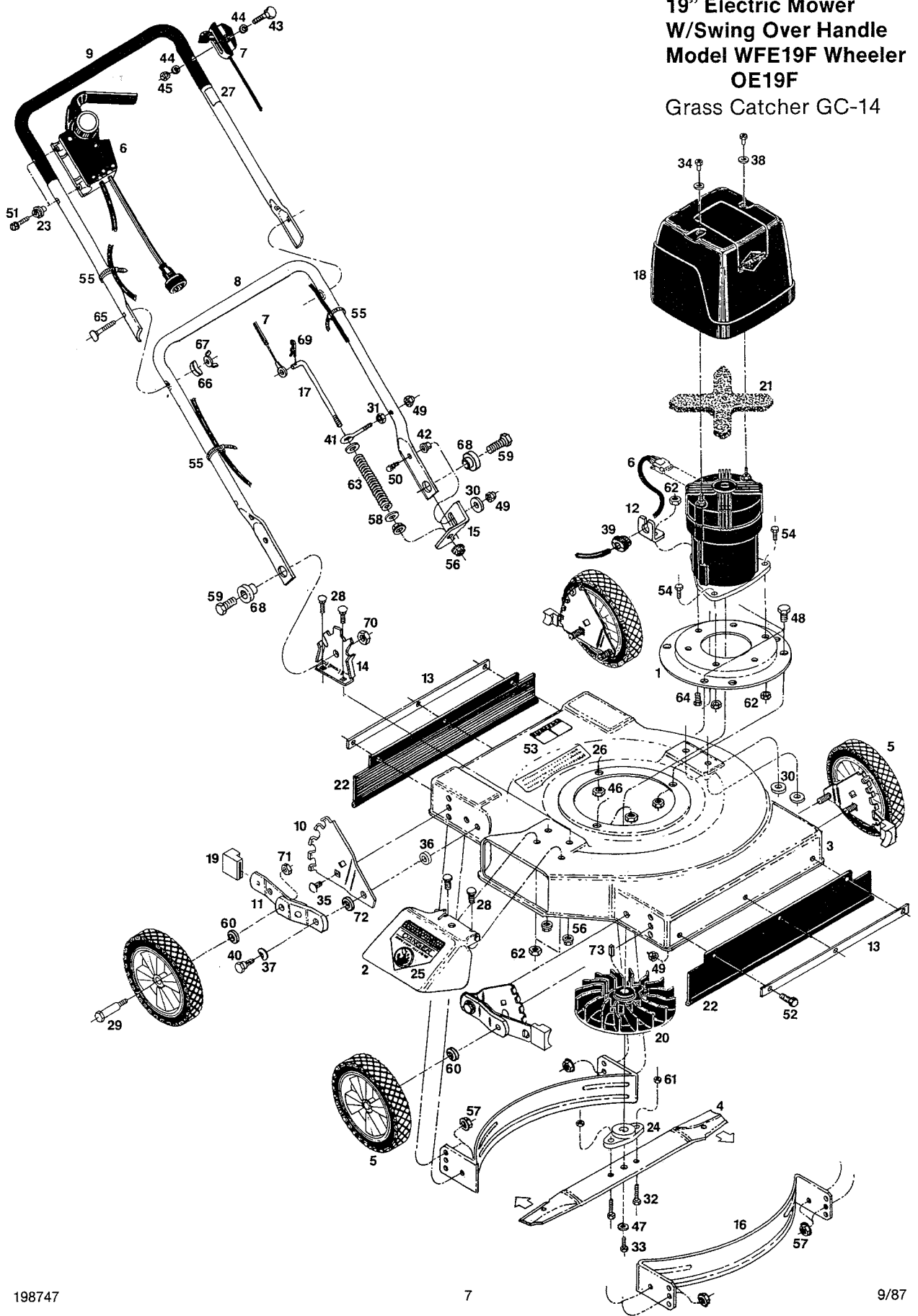


19" Electric Mower
 W/Swing Over Handle
 Model WFE19F Wheeler
 OE19F
 Grass Catcher GC-14



**19" Electric Mower
W/Swing Over Handle
Model WFE19F Wheeler
OE19F
Grass Catcher GC-14**

Index No.	Part No.	Description
1	029868	Plate-Motor
2	013565	Chute Deflector*
3	013409	Deck-19"
4	030460	Blade 19"
5	498618	Wheel-7 x 1.50
6	050690	Control-Electric Motor*
7	050708	Control-Handle Release
8	071662	Handle-Lower
9	071696	Handle-Upper
10	090589	Back Plate-Ht. Adj.
11	091033	Wheel Arm Assy.
12	664144	BRKT-Cord
13	109496	Backing Strip-Trailing Shield
14	107318	Handle Bracket
15	107342	Lock Plate
16	107458	Baffle-Deck
17	107805	Rod-Handle Lock
18	111146	Shroud-Electric Motor*
19	112540	Tip-Adjuster Lever
20	112748	Fan-Electric Motor*
21	111427	Filter-Electric Motor*
22	111625	Shield-Trailing
23	111732	Insulator-Electric Control
24	132886	Adapter-Blade
25	144063	Decal-Danger*
26	145607	Decal-U.L. Rating
27	147421	Decal-Handle Control
28	150011	Carriage Bolt 1/4-20 x 5/8
29	157420	Wheel Bolt
30	151555	Washer .25 ID x 1.0 OD
31	151985	Nut Hex #10-24
32	152108	Bolt HH 5/16-18 x 1 Grade 5
33	152116	Bolt HH 5/16-24 x .75 Grade 8
34	152173	Hex Nut-Motor Shroud
35	152405	Carriage Bolt 3/8 x 3/4
36	156182	Washer-Plastic, Ht. Adj.

Index No.	Part No.	Description
37	152421	Spring Washer-Ht. Adj.
38	152728	Washer-Shroud Retaining Nut
39	447771	Strain Relief-Electric Cord
40	156125	Shoulder Bolt-Ht. Adj.
41	153890	Eyebolt #10-24 x 2.00
42	154047	Spacer-Lock Plate
43	154112	Bolt-Plastic, Handle Control
44	154120	Washer-Plastic, Handle Control
45	154138	Nut-Plastic, Handle Control
46	310151	Nut - 5/16-18 Nylok
47	311118	Washer-5/16 Split Lock
48	312066	Bolt 5/16-18 x 3/4 Hex
49	452318	Nut#10-24 Nylok
50	459388	Screw #10-24 x 3/4 Hx HD
51	459446	Screw #10-24 x 1-1/2 Hx WHD
52	458687	Screw #10-24 x 1/2 Hx HD
53	714170	Decal-Model Number
54	715045	Bolt 1/4-20 x 3/4 Hx HD
55	110379	Cable Tie
56	715078	Nut 1/4-20 Flange Whiz
57	451492	Nut 3/8-16 Top Lock Flange
58	715300	Washer .25 Flat
59	715326	Bolt 3/8-16 x 1.0
60	715607	Washer-3/8 Belleville
61	715490	Nut 5/16-18 Top Lock
62	715508	Nut 1/4-20 Top Lock
63	775825	Spring-Handle Latch
64	715292	Bolt 1/4-20 x 1" Hx HD
65	151928	Bolt 5/16-18 x 1.75
66	150201	Curved Washer
67	151795	Wingnut 5/16-18
68	097782	Pivot Bushing
69	715011	Hairpin-Cotter
70	715086	Nut 3/8-16 Lock
71	715524	Locknut-3/8-16 Jam
72	156877	Washer-3/8 Hardened
73	159103	Key

NOTE: PARTS ARE RIGHT OR LEFT HAND AS VIEWED FROM THE OPERATOR POSITION.
SPECIFICATIONS SUBJECT TO CHANGE WITHOUT PRIOR NOTICE.