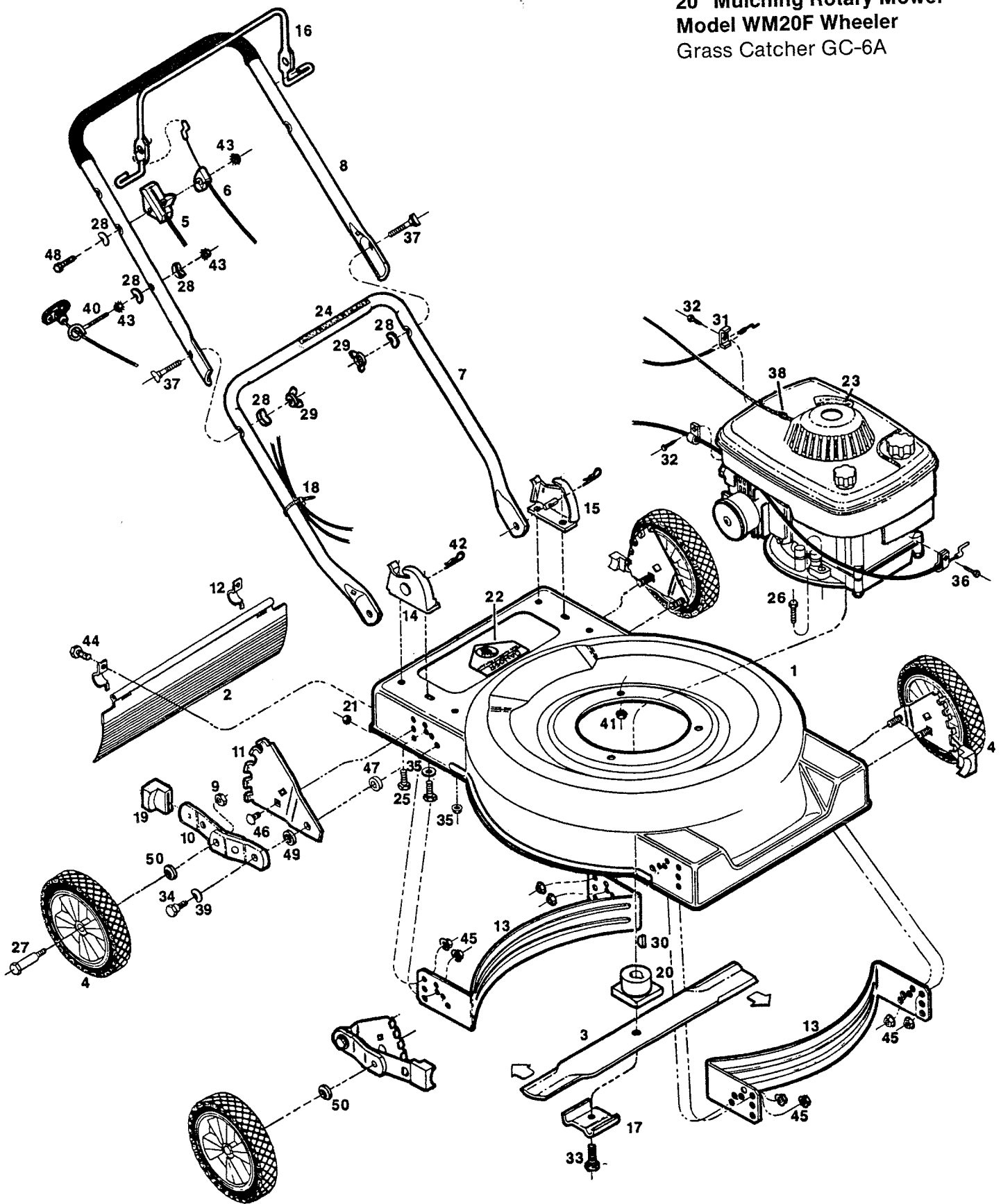


**20" Mulching Rotary Mower
Model WM20F Wheeler
Grass Catcher GC-6A**



**20" Mulching Rotary Mower
Model WM20F Wheeler
Grass Catcher GC-6A**

Index No.	Part No.	Description	Index No.	Part No.	Description
1	024562	Deck 20" Mulcher	21	452318	Nut #10-24 Hex Nylon Insert
2	111591	Trailing Shield Assembly*	22	143115	Decal - C.P.S.C. Danger
3	030189	Blade - 20" Mulcher	23	001206	Decal - Blade Warning
4		Wheel Assembly•	24	144899	Decal - Starting Instructions
	040246	7" Plastic - White - Diamond - Nylon Bearing	25	457499	Bolt - 1/4-20 x 1/2
	040022	7" Plastic - White - Rib - Roller Bearing	26	150045	Hex Head Bolt 5/16-18 x 1-1/4
	040386	7" Steel - White - Rib - Ball Bearing	27	150060	Wheel Bolt
	041046	7" Steel - White - Rib - Flange Bearing	28	150201	Curved Washer 5/16
	040030	8" Plastic - White - Rib - Roller Bearing	29	150235	Wingnut 5/16-18
	040451	8" Steel - White - Rib - Ball Bearing	30	150276	Woodruff Key #6
	040857	8" Plastic - White - Diamond - Nylon Bearing	31	150318	Cable Clamp
	040865	8" Plastic - White - Diamond - Roller Bearing	32	150623	Self Tap Screw #10 x 5/8
	041111	8" Steel - White - Rib - Flange Bearing	33	150862	Blade Bolt
5	051235	Control - Throttle	34	156125	Shoulder Bolt - Height Adjuster
6	051466	Control - Engine/Blade*	35	151555	Washer .25
7	071563	Handle - Lower	36	151613	Hex Head Bolt #10-32 x 3/8 SEMS
8	071084	Handle - Upper with Cushion Grip	37	151928	Curved Head Bolt 5/16-18 x 1-3/4
9	715524	Locknut - 3/8-16 JAM	38	152074	Rope Stop
10	091033	Wheel Arm Assy	39	152421	Washer - Spring
11	090589	Back Plate - Height Adjuster	40	152371	Rope Guide
12	106914	Clip Trailing Shield	41	310151	Locknut 5/16-18
13	108811	Baffle 20" Mulcher Front & Rear	42	715011	Hitch Pin #3
14	107086	Handle Bracket - Right Hand	43	715037	Keps Nut 1/4-20
15	107094	Handle Bracket - Left Hand	44	458687	Hex Head Bolt 10-24 x 1/2
16	104687	Control - Engine/Blade Crossbar*	45	451492	Nut - 3/8-16 Toplock Flange
17	106336	Washer - Blade Adapter	46	152405	Carriage Bolt 3/8 x 3/4
18	110379	Cable Tie	47	156182	Washer - Plastic - Height Adjuster
19	110510	Plastic Tip - Setting Lever	48	153874	Bolt - 1/4-20 x 2 1/4 Hex Head
20	133231	Blade Adapter	49	156877	Washer - 3/8 Hardened
			50	715607	Washer - 3/8 Belleville

**NOTE: PARTS ARE RIGHT OR LEFT HAND AS VIEWED FROM THE OPERATOR POSITION.
SPECIFICATIONS SUBJECT TO CHANGE WITHOUT PRIOR NOTICE
•INDICATES OPTIONAL EQUIPMENT**