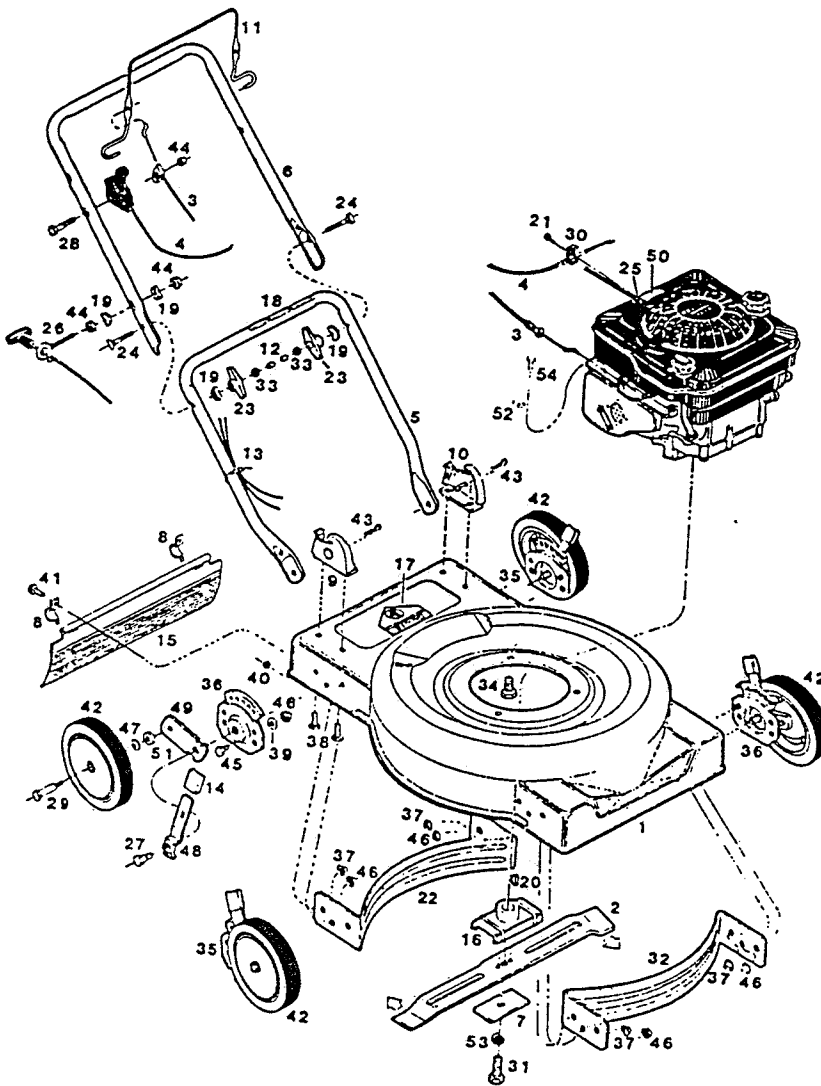


**MODEL: WM5L
20" CUT MULCHING ROTARY MOWER**



| INDEX NO. | PART NO. | DESCRIPTION |
|-----------|----------|--|
| 1 | 023309 | Deck - 20" Mulcher-Red |
| 2 | 030189 | Blade - 20" Mulcher |
| 3 | 052209 | Cable - Engine/Blade Control |
| 4 | 052779 | Control - Throttle |
| 5 | 071563 | Handle - Lower |
| 6 | 071084 | Handle - Upper Coated |
| 7 | 106005 | Washer - Blade Adapter |
| 8 | 106914 | Clip - Trailing Shield |
| 9 | 092601 | Handle Bracket - R.H. |
| 10 | 092619 | Handle Bracket - L.H. |
| 11 | 104687 | Bail - Engine/Blade Control |
| 12 | 110064 | Bolt Cap - Plastic |
| 13 | 110379 | Cable Tie |
| 14 | 114462 | Plastic Tip - Setting Lever |
| 15 | 114397 | Trailing Shield - Plastic |
| 16 | 126466 | Blade Adapter |
| 17 | 143115 | Decal - Danger |
| 18 | 715557 | Decal - Starting Instructions |
| 19 | 150201 | Washer - Curved 5/16" |
| 20 | 150276 | Woodruff Key No. 6 |
| 21 | 150623 | Screw - Self Tap #10 x 5/8 |
| 22 | 089128 | Baffle-Rear |
| 23 | 113589 | Wing Nut 5/16-18 |
| 24 | 151936 | Bolt - Curved Head 5/16-18 x 2-1/4 |
| 25 | 152074 | Rope Stop |
| 26 | 152371 | Rope Guide |
| 27 | 153650 | Shoulder Bolt - Height Adjuster |
| 28 | 153874 | Bolt - 1/4-20 x 2-1/4 Hex |
| 29 | 157420 | Wheel Bolt - Plastic Wheel |
| 30 | 157552 | Clamp - Cable |
| 31 | 157255 | Bolt - Blade 3/8-24 x 1-1/4 Gr. 8 |
| 32 | 085878 | Baffle - Front |
| 33 | 310045 | Nut 5/16-18 |
| 34 | 457168 | Bolt - 3/8-16 x 7/8 TDFM |
| 35 | 092650 | Back Plate - Height Adjuster R.H. Front L.H. Rear |
| 36 | 092643 | Back Plate - Height Adjuster L.H. Front R.H. Rear |
| 37 | 156406 | Nut - 3/8-16 Flange Lock |
| 38 | 457499 | Bolt - 1/4-20 x 1/2 Thread Forming |
| 39 | 462093 | Washer - 1/4 |
| 40 | 452318 | Nut #10-24 Hex Nylon Insert |
| 41 | 458687 | Bolt - #10-24 x 1/2 |
| 42 | 043018 | Wheel - 8 x 1.75 plastic |
| 43 | 715011 | Hairpin Cotter |
| 44 | 715037 | Nut - 1/4-20 Keps |
| 45 | 715045 | Bolt - 1/4-20 x 3/4 |
| 46 | 715508 | Locknut 1/4-20 |
| 47 | 715607 | Washer - Belleville |
| 48 | 776500 | Setting Lever - Height Adjuster |
| 49 | 092668 | Wheel Lever - Height Adjuster |
| 50 | 001206 | Decal - Blade Warning |
| 51 | 158469 | Washer - Flat |
| 52 | 164442 | Clip J-1/4 |
| 53 | 156919 | Washer - Lock H.D. |
| 54 | 164434 | Hex HD. - #10-16 x 1/2 |

- When servicing this unit use only genuine Genie or Power OEM replacement parts that are specifically designed and engineered for this particular model.
- Do not operate unit unless all parts are properly attached and in good working order.
- Parts are right or left hand as viewed from the operator's position.
- Specifications are subject to change without notice.