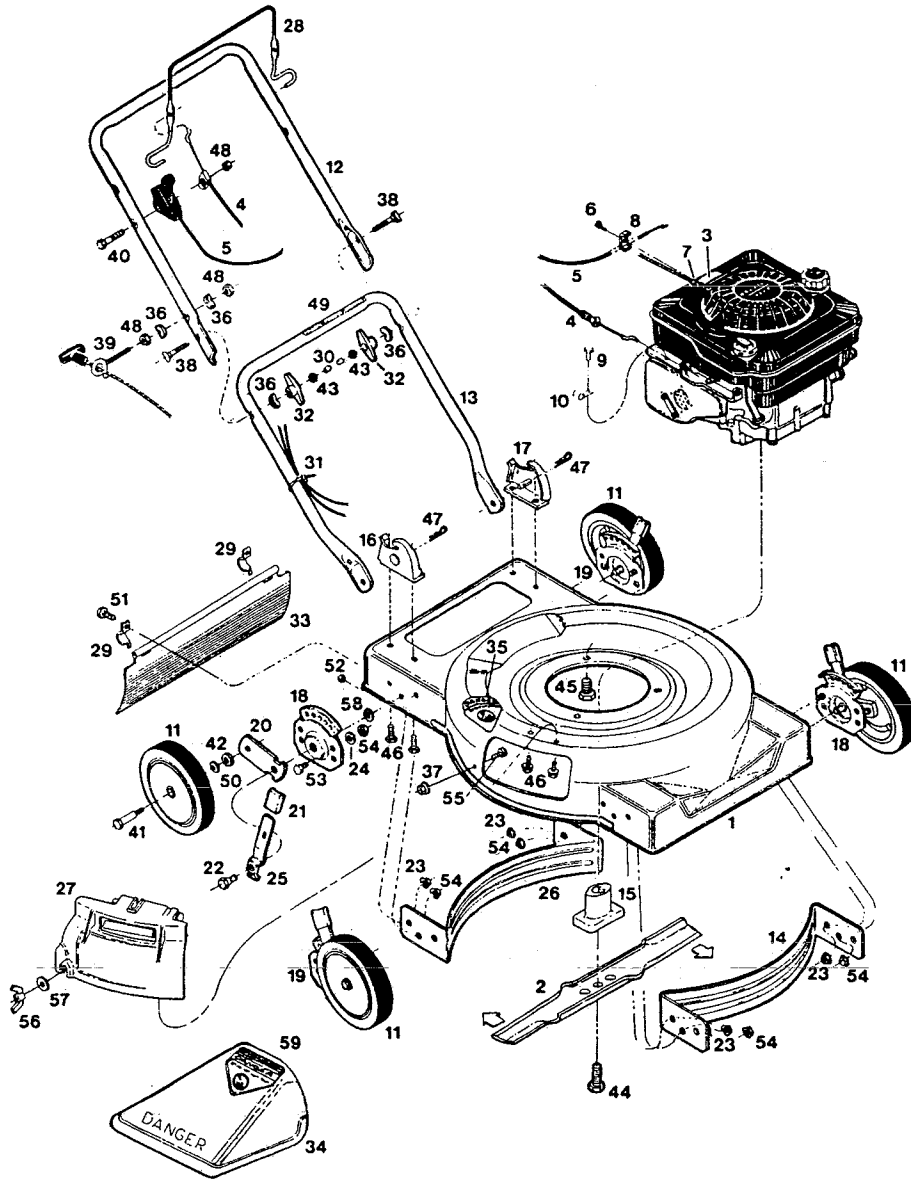


**MODEL: WMC5M - A2551M**  
**5 hp 20" CUT CONVERTIBLE MULCHING MOWER**  
 Grass Catcher Model: GC9  
 Grass Catcher: P/N 161240  
 Repl. Bag: P/N 161275



Parts listed are for mower excluding the engine.  
 For engine information refer to Engine manual enclosed in literature bag.

**MODEL: WMC5M - A2551M**  
**5 hp 20" CUT CONVERTIBLE MULCHING MOWER**  
 Grass Catcher Model: GC9  
 Grass Catcher: P/N 161240  
 Repl. Bag: P/N 161275

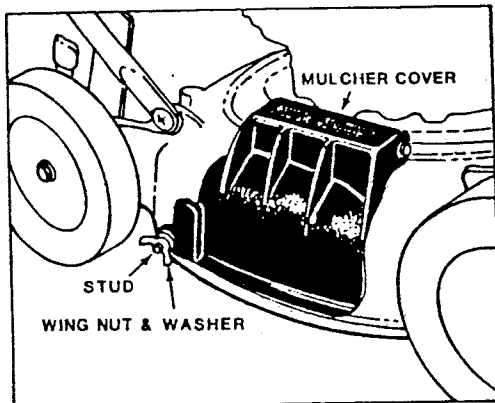
Index No.	Part No.	Description
1	023684	Deck - 20" S.D. Mulch
2	031401	Blade - 20" Mulcher
3	001206	Decal - Blade Warning
4	052209	Cable - Engine/Blade Control
5	053075	Control - Throttle
6	166640	Screw - Self Tap #10 x 5/8
7	152074	Rope Stop
8	157552	Clamp - Cable
9	164434	Screw - #10-16 x 1/2 Hex Hd.
10	164442	Clip - J 1/4"
11	043018	Wheel - 8 x 1.75 Plastic
12	073007	Handle - Upper Coated
13	072991	Handle - Lower
14	092965	Baffle - Front
15	089896	Blade - Adapter
16	092601	Handle Bracket - R.H.
17	092619	Handle Bracket L.H.
18	092643	Back Plate - Height Adjuster L.H. Front R.H. Rear
19	092650	Back Plate - Height Adjuster R.H. Front L.H. Rear
20	092668	Wheel Arm - Height Adjuster
21	114462	Plastic Tip - Setting Lever
22	153650	Shoulder Bolt - Height Adjuster
23	156406	Nut - 3/8-16 x 7/8 TDFM
24	462093	Washer - 1/4
25	776500	Setting Lever - Height Adjuster
26	092973	Baffle - Rear
27	093922	Mulch Cover Assembly
28	104687	Bail - Engine Blade Control
29	106914	Clip - Trailing Shield
30	110064	Bolt Cap - Plastic
31	110379	Cable Tie
32	113589	Wing Nut 5/16 x 18
33	114397	Trailing Shield - Plastic
34	115295	Chute Deflector Assembly
35	114063	Decal - Danger
36	150201	Washer - Curved 5/16
37	715078	Nut - 1/4-20 Flange Lock
38	151936	Bolt - Curved Head 5/16-18 x 2-1/4
39	152371	Rope - Guide
40	153874	Bolt - 1/4-20 x 2-1/4 Hex
41	157420	Shoulder Bolt - Wheel
42	158469	Washer - Flat
43	310045	Nut - 5/16-18
44	380568	Blade Bolt - 3/8-24 x 1-5/8 Gr. 8
45	164999	Bolt - 3/8-16 x 7/8 TDFM
46	164998	Bolt - 1/4-20 x 1/2 Thread Forming
47	715011	Hairpin Cotter
48	715037	Nut - 1/4-20 Keps
49	799599	Decal - Starting Instructions
50	715607	Washer - Belleville
51	458687	Bolt - #10-24 x 1/2
52	452318	Nut #10-24 Hex Nylon Insert
53	715045	Bolt - 1/4-20 x 3/4
54	715508	Locknut 1/4-20
55	155341	Stud - 1/4-20 x 7/8
56	587998	Wing Nut
57	615690	Washer - 1/4 Flat
58	311340	Washer
59	143115	Decal - Danger

**ATTACHING SIDE DISCHARGE CHUTE DEFLECTOR**

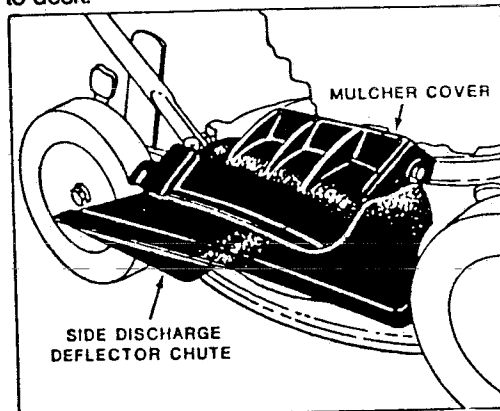
**⚠ WARNING**  
 Do not attempt to attach or remove grass catcher or side discharge chute while engine/blade is turning.

**⚠ WARNING**  
 Do not operate the mower unless mulcher cover or attachments are secured in place.

The side discharge deflector chute supplied with the mower enables you to convert from the mulching mode to side discharge operation for some grass conditions.



Remove wing nut and washer holding mulcher cover to deck.



Lift the mulcher cover and hook the discharge deflector chute to the bracket. Be sure hook is firmly seated in bracket. Install wing nut and washer on stud to retain for future re-use.

Release the mulcher cover so it rests against the discharge chute.

If the side discharge deflector chute is removed, be sure the mulcher cover is secured to the deck with the wing nut and washer.

The side discharge deflector chute has a spring clip for hanging chute on lower handle when it is not being used.

S/N 239877 - 239887  
 P/L 082638  
 O/M 082566  
 E/M 082690