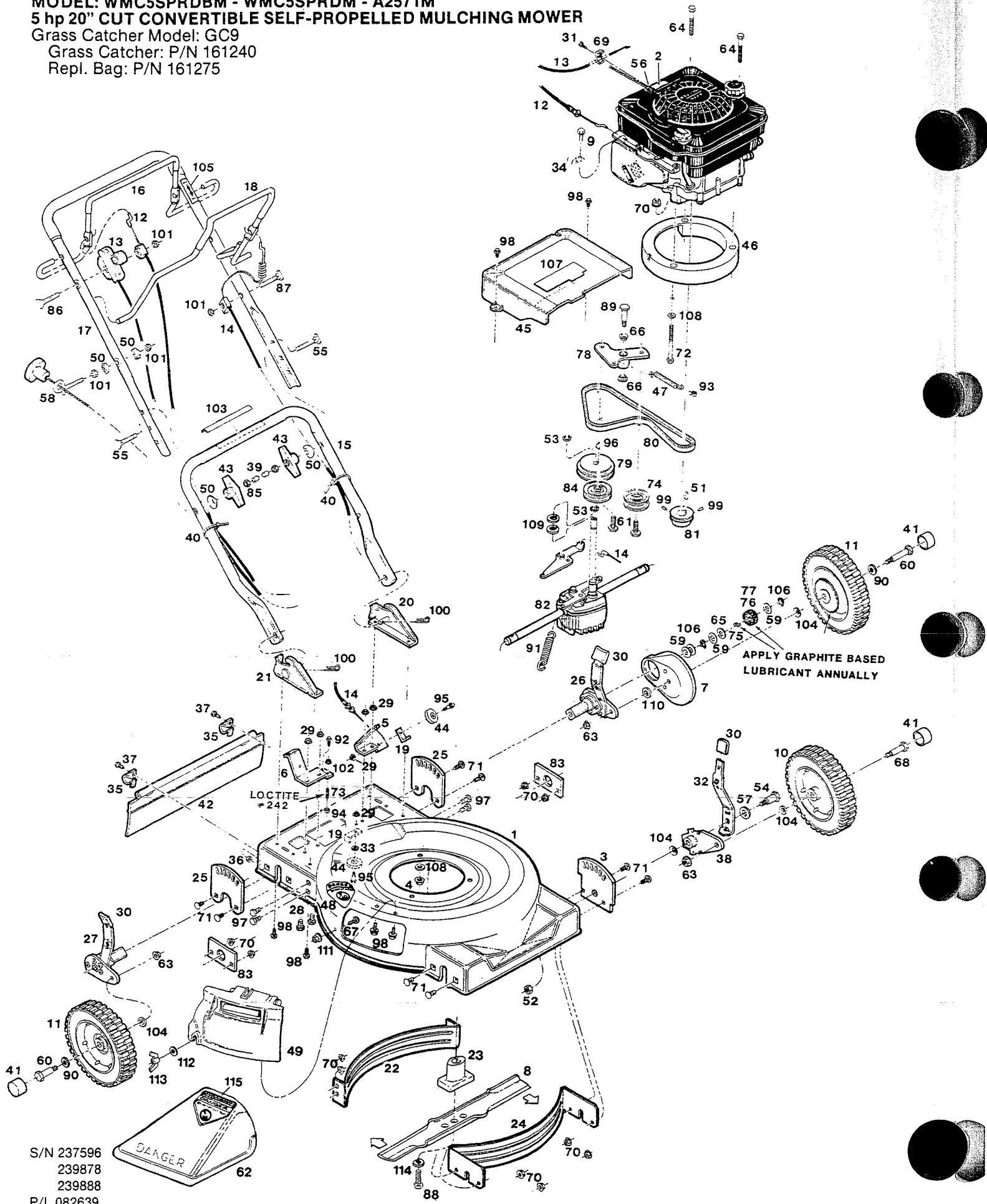


MODEL: WMC5SPRDBM - WMC5SPRDM - A2571M
5 hp 20" CUT CONVERTIBLE SELF-PROPELLED MULCHING MOWER

Grass Catcher Model: GC9
 Grass Catcher: P/N 161240
 Repl. Bag: P/N 161275



S/N 237596
 239878
 239888
 P/L 082639
 O/M 082620
 E/M 082690

MODEL: WMC5SPRDBM - WMC5SPRDM - A2571M
5 hp 20" CUT CONVERTIBLE SELF-PROPELLED MULCHING MOWER
 Grass Catcher Model: GC9
 Grass Catcher: P/N 161240
 Repl. Bag: P/N 161275

Index No.	Part No.	Description	Index No.	Part No.	Description
1	023685	Deck 20" Mulcher	59	152553	Washer-Thrust 1/2
2	001206	Decal - Warning Blade Rotation	60	166625	Bolt - Wheel, Rear
3	093146	Plate - Height Adjuster - Front	61	154369	Bolt - 3/8-16 x 1 1/4 Shaved Head
4	616342	Nut - 5/16-18 Center Lock	62	115295	Chute Deflector Assembly
5	088674	Bracket - Pulley Mounting	63	156406	Nut - Hex 3/8-16 Flange
6	088658	Bracket - Trans Pulley	64	156463	Bolt - Hex 5/16-18 x 2-3/4 Gr. 5
7	022236	Cover - Drive Wheel	65	156638	Washer - Flat 1/2
8	031401	Blade - 20" Mulcher	66	156653	Bearing - Flange Nylon
9	164434	Screw - #10 - 16 x 1/2 Hex Hd.	67	155341	Stud - 1/4-20 x 7/8
10	041426	Wheel - Front 8"	68	166620	Bolt - Wheel, Front
11	041442	Wheel - Rear 8" w/Gear	69	157552	Clamp - Cable
12	052209	Cable - Engine/Blade Control	70	157610	Locknut - Flange 5/16-18
13	053075	Cable - Throttle Control	71	158907	Bolt - Carriage 5/16-18 x 5/8
14	052522	Cable - Drive Engagement	72	163964	Bolt - 5/16-18 x 4 Gr. 5
15	072991	Handle - Lower	73	163840	Stud - Short
16	104687	Bail - Engine/Blade Control	74	170621	Pulley - Idler, Flat
17	073197	Handle - Upper	75	171041	Dog - Drive
18	089615	Bail - Ground Drive	76	171058	Gear - Drive RH
19	096305	Bracket Cable Retainer	77	171066	Gear - Drive LH
20	093161	Bracket - Handle LH	78	171496	Arm - Idler
21	093153	Bracket - Handle RH	79	171819	Pulley - 2 Speed
22	087080	Baffle - Rear	80	171652	V-Belt
23	093443	Blade Adapter	81	171660	Sheave - Engine
24	087288	Baffle - Front	82	171751	Transmission Assembly
25	093120	Plate - Height Adjuster - Rear	83	179176	Support - Wheel Hub
26	089987	Wheel Arm Assembly L.H. Rear	84	305367	Pulley - Idler V-Groove
27	089979	Wheel Arm Assembly R.H. Rear	85	310045	Nut - 5/16-18
28	457044	Bolt - 1/4-20 x 1/2	86	380550	Bolt - Curved Head 1/4-20 x 2 1/4
29	715078	Nut - 1/4-20 Flange Lock	87	150029	Bolt - Curved Head 1/4 x 1 1/2
30	114462	Tip - Plastic	88	164533	Bolt - Blade 3/8-24 x 2 1/2 Gr. 8
31	150623	Screw - Hex Slotted #10 x 5/8	89	381665	Bolt - Shoulder
32	092817	Lever Height Adjuster - Front	90	156620	Washer 1/2 x 1
33	158956	Washer - 1/4	91	381780	Spring - Transmission Return
34	164442	Clip-J 1/4	92	150326	Screw #10-24 x 1/2 Hex Slot Head
35	106914	Clip-Trailing Shield	93	381889	Clip - "U" Tinnerman
36	452318	Nut #10-24 Hex Nylon Insert	94	382150	Spacer
37	458687	Bolt #10-24 x 1/2	95	158683	Bolt - Shoulder 1/4-20
38	091819	Wheel Arm - Front	96	446450	Key - Woodruff
39	110064	Cap - Plastic Bolt	97	159780	Bolt - Hex 5/16-18 x 5/8 Flange
40	110379	Cable Tie	98	164998	Bolt - 1/4-20 x 1/2 Thread Forming
41	112045	Cap-Hub	99	315093	Screw Set 5/16-18 x 1/4
42	114421	Trailing Shield - Plastic	100	715011	Hairpin Cotter
43	113589	Knob - Handle	101	715037	Nut - 1/4-20 Keps
44	112177	Pulley - Drive Cable	102	715334	Nut #10-24 Keps
45	115429	Cover - Transmission	103	715557	Decal - Starting Instructions
46	115436	Spacer - Engine	104	715607	Washer - Belleville
47	135665	Spring - Extension	105	794412	Decal - Drive Control
48	144063	Decal - Warning CPSC	106	153940	Ring - Transmission - Axle
49	093922	Mulch Cover Assembly	107	794974	Decal - Heat Reflector
50	150201	Washer - Curved 5/16	108	158212	Washer - 5/16
51	150276	Woodruff Key #6	109	162289	Spacer - Notched
52	715441	Nut 3/8-16 Twin Whiz	110	158469	Washer - 3/8 flat
53	151282	Ring - Transmission - Top	111	715078	Nut - 1/4 - 20 Flange Lock
54	164897	Bolt - Shoulder	112	615690	Washer - 1/4 Flat
55	151936	Bolt - Curved Head 5/16-18 x 2 1/4	113	587998	Wing Nut
56	152074	Rope Stop	114	156919	Lockwasher 3/8 H.D.
57	164020	Washer - Hardened	115	143115	Decal - Danger
58	152371	Rope Guide			

S/N 237596
 239878
 239888
 P/L 082639
 O/M 082620
 E/M 082690