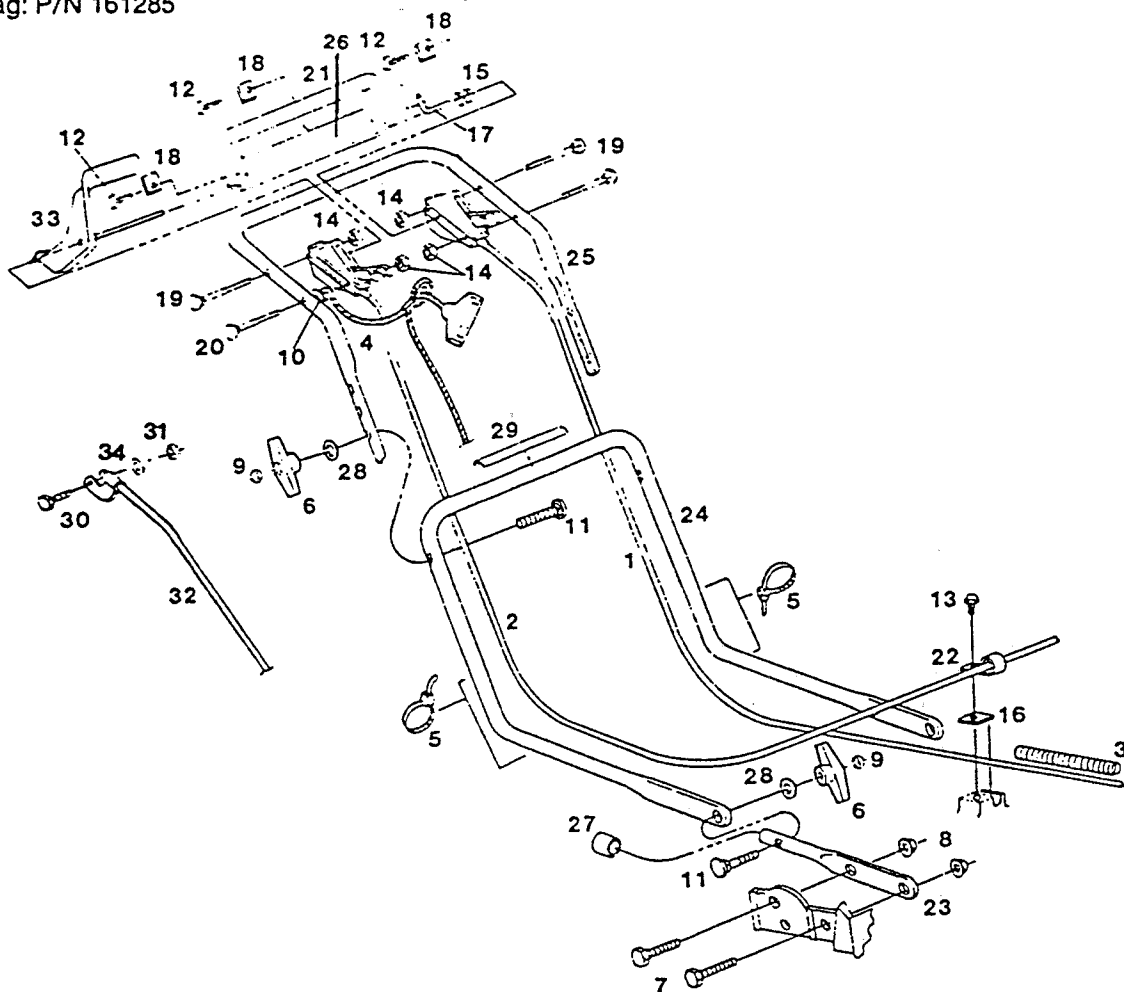


**MODEL: WPSB21P/5L
21" CUT SUPER-BAGGER SELF-PROPELLED
ROTARY MOWER**

Use Grass Catcher Model APMRB-SDC

Grass Catcher: P/N 161288

Repl. Bag: P/N 161285



INDEX PART

NO.	NO.	DESCRIPTION
1	589498	Control - Throttle w/Cable
2	589461	Control - Engine/Blade
3	589494	Cover - Cable
4	589661	Grip Restraint
5	110379	Cable Tie
6	113589	Wing Nut
7	152108	Bolt - 5/16-18 x 1 HHCS Gr. 8
8	159236	Nut - 5/16-18 Fig. Lock
9	310045	Nut - 5/16-18 Hex
10	580335	Washer - Curved 1/4
11	581463	Bolt - 5/16-18 x 2 Carriage
12	533024	Screw - 1/4-10 x 5/8 Phillips Tap
13	158089	Screw - 1/4-20 x 1/2 Hex Tap
14	583166	Nut - 1/4-20 Hex Lock
15	586090	Spring - Compression
16	586626	Clamp - Throttle Cable
17	587708	Pivot - Shaft

INDEX PART

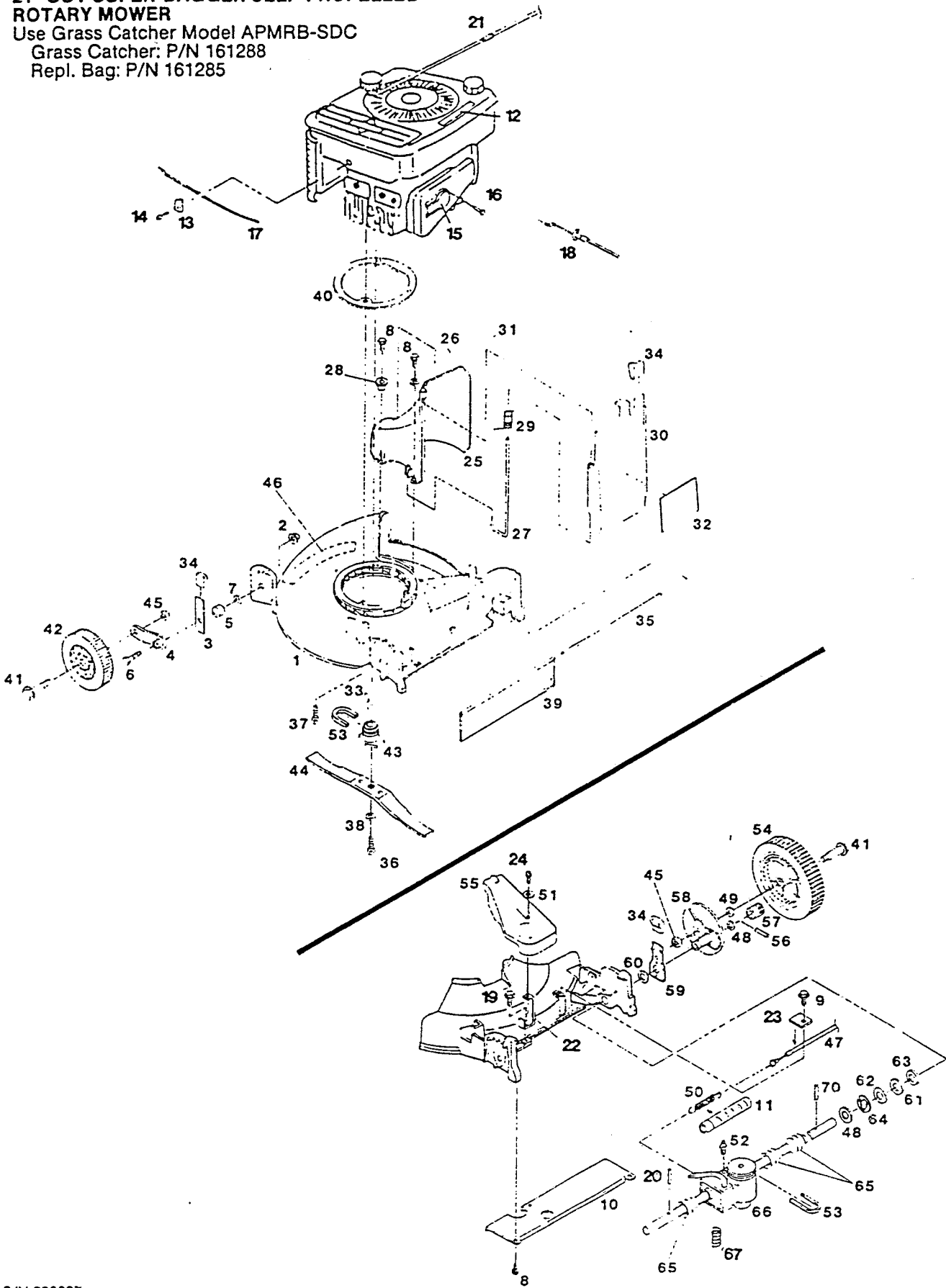
NO.	NO.	DESCRIPTION
18	587716	Clamp - Pivot Shaft
19	587955	Bolt - 1/4-20 x 2 Carriage
20	587965	Bolt - 1/4-20 x 2-1/4 Carriage
21	588154	Bail - Engine/Blade Control
22	588983	Clamp - Engine Control Cable
23	589362	Stub - Handle Mounting
24	589364	Handle - Lower
25	589398	Handle - Upper
26	799610	Decal - Cyclo Action
27	589412	Cap - Plug
28	715185	Washer - Flat 5/16
29	715557	Decal - Starting Instructions
30	582847	Bolt - 1/4-20 x 1-1/2 HHCS
31	310052	Nut - 1/4-20 Hex
32	586633	Cable - Drive Control
33	589672	Lever - Ground Drive Control
34	583240	Washer - Split Lock 1/4

- When servicing this unit use only genuine General Power OEM replacement parts that are specifically designed and engineered for this particular model.
- Do not operate unit unless all parts are properly attached and in good working order.
- Parts are right or left hand as viewed from the operator's position.
- Specifications are subject to change without notice.

S/N 239837
P/L 082533
O/M 082532
E/M 589430

MODEL: WPSB21P/5L
21" CUT SUPER-BAGGER SELF-PROPELLED
ROTARY MOWER

Use Grass Catcher Model APMRB-SDC
 Grass Catcher: P/N 161288
 Repl. Bag: P/N 161285



S/N 239637
 P/L 082533
 O/M 082532
 E/M 589430

**MODEL: WPSB21P/5L
21" CUT SUPER-BAGGER SELF-PROPELLED
ROTARY MOWER**

Use Grass Catcher Model APMRB-SDC
Grass Catcher: P/N 161288
Repl. Bag: P/N 161285

INDEX PART			INDEX PART		
NO.	NO.	DESCRIPTION	NO.	NO.	DESCRIPTION
1	589492	Deck - 21" Red	35	581486	Rod - Trailing Shield
2	159236	Nut - 5/16 Fig. Lock	36	582964	Bolt - 3/8-24 x 1-1/4 HHCS Gr. 8
3	586051	Setting Lever Assembly	37	583026	Bolt - 3/8-16 x 2-1/4 HHCS Gr. 5
4	585794	Wheel Arm	38	156919	Washer - 3/8 Lock H.D.
5	581274	Spacer - Wheel	39	581515	Trailing Shield - Plastic
6	581490	Bolt - Height Adjuster	40	587233	Engine Ring
7	715185	Washer - Flat 5/16	41	382879	Wheel Bolt
8	583021	Screw - 1/4-20 x 3/4 Hex Tap	42	588697	Wheel - 8" Front
9	158089	Screw - 1/4-20 x 1/2 Hex Tap	43	589387	Adapter - Blade
10	116776	Cover - Rear	44	589413	Blade - 21"
11	581526	Spring Cover	45	715524	Nut - 3/8-16 Lock
12	799503	Decal - Blade Warning	46	799563	Decal - Logo
13	157552	Clamp - Cable	47	586633	Cable - Drive Control
14	150623	Screw - #10-16 x 5/8" Tap	48	580632	Washer - Flat
15	581514	Deflector - Muffler	49	581584	Washer - Flat
16	583023	Screw - #8-32 x 3/8 Tap	50	581933	Spring - Extension
17	589498	Control - Throttle w/cable	51	151555	Washer - Plain
18	589461	Control - Engine/Blade	52	586247	Vent
19	583044	Screw - #10-16 x 1/2 Hex Hd. Tap	53	588705	V-Belt
20	583400	Roll Pin - 1/8 x 7/8	54	588709	Wheel - 8" Power Propelled
21	152074	Rope Stop	55	589349	Cover - Drive
22	116772	Bracket - Belt Cover Blk	56	589363	Drive Pin
23	586626	Clamp - Drive Control Cable	57	589417	Pinion R.H.
24	583022	Screw - 1/4-20 x 3/4 Phillips Tap		589418	Pinion L.H.
25	589594	Discharge Chute	58	586041	Drive Wheel Support Ass'y - Blk
26	587522	Decal - CPSC Danger	59	586795	Setting Lever Ass'y - Blk
27	581483	Hinge Pin	60	581477	Spacer - Rear Hgt. Adj.
28	583531	Eyelet	61	579094	Washer - Shim
29	587976	Spring - Door Chute	62	581005	Washer - Flat
30	589489	Door Chute	63	583308	Washer - Wave
31	615690	Washer - Flat 1/4	64	583355	E-Ring
32	588798	Decal - Door Warning	65	585871	Dust Shield - Plastic
33	162636	Key - Woodruff #61	66	589406	Gear Reducer
34	579717	Plastic Tip - Height Adjuster	67	589468	Spring - Compression

- When servicing this unit use only genuine General Power OEM replacement parts that are specifically designed and engineered for this particular model.
- Do not operate unit unless all parts are properly attached and in good working order.
- Parts are right or left hand as viewed from the operator's position.
- Specifications are subject to change without notice.