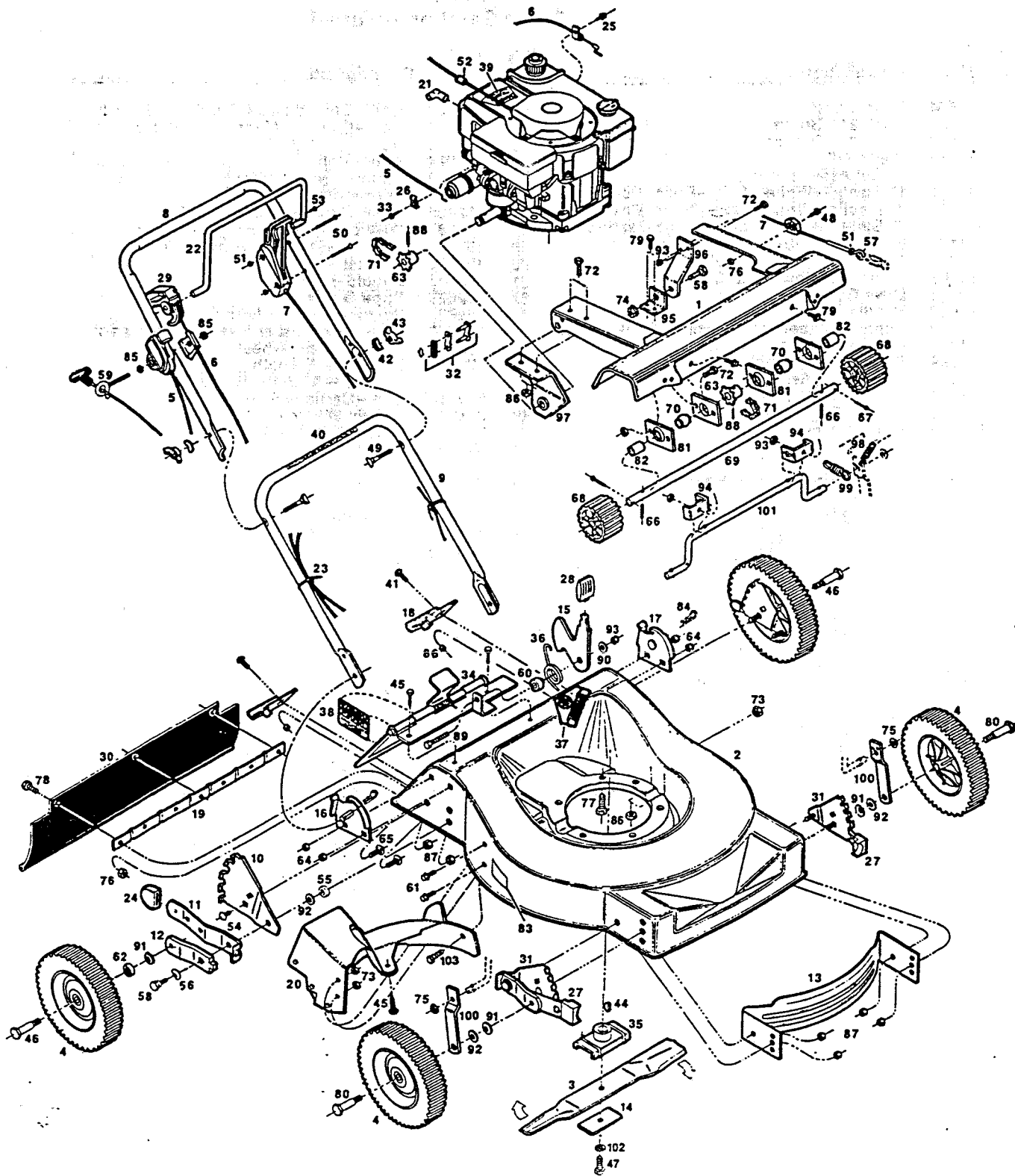


21" Rear Bagging Self-Propelled Rotary Mower
Model: WRBH5SP-21E
CR-C5E Central Park
Grass Catcher Included



**21" Rear Bagging Self-Propelled Rotary Mower
Model: WRBH5SP-21E
CR-C5E Central Park
Grass Catcher Included**

Index No.	Part No.	Description	Index No.	Part No.	Description
1	024521	Drive Cover	51	151985	Nut—Hex, #10-24
2	029835	Deck-21" Met. Green	52	152074	Rope Stop
3	030338	Blade 21"	53	152181	Screw—Bail Retaining
4	Wheel Assemblies*		54	152405	Bolt—Carriage 3/8-16 x 3/4
	040741	8" Plastic—White—Cog—Nylon Bearing	55	152413	Washer—Plastic—Height Adjuster
	041095	8" Steel—White—Cog—Flange Bearing	56	152421	Washer—Spring—Height Adjuster
5	051227	Control—Throttle w/Cable	57	153890	Eyebolt—10-24 x 2
6	051003	Cable—Engine/Blade Control*	58	153643	Shoulder Bolt
7	050807	Drive Control	59	152629	Rope Guide
8	071092	Handle—Upper	60	152637	Spacer—Catcher Latch
	071100	Handle—Upper with Cushion Grip*	61	152660	Bolt—Hex Washer Head—1/4-20 x 1/2
9	071449	Handle—Lower	62	152686	Spacer—Rear Wheel
10	090589	Back Plate—Height Adjuster	63	170142	Sprocket—8 Tooth
11	090613	Setting Lever—Height Adjuster	64	310151	Locknut—5/16-18 Nylock
12	090977	Wheel Lever—Height Adjuster	65	313510	Bolt—Carriage 5/16-18 x 3/4
13	105825	Baffle—Front	66	314096	Rollpin 3/16 x 1-1/4
14	106005	Blade Washer	67	317016	Cotter Pin 1/8 x 1
15	108324	Catcher Latch	68	416693	Pinion
16	106807	Handle Bracket—Right Hand	69	417741	Shaft
17	106815	Handle Bracket—Left Hand	70	423319	Bearing
18	109546	Catcher Frame Bracket	71	128900	Chain Assembly #48
19	109496	Backing Strip—Trailing Shield*	72	449587	Bolt—Hex, 1/4-20 x 5/8
20	127191	Baffle Assembly—Rear	73	451419	Locknut 1/4-20 Flanged Top
21	110833	Cover—Spark Plug	74	451492	Nut—3/8-16
22	107367	Bail—Engine/Blade Control*	75	452250	Push Nut—3/8
23	110379	Cable Tie	76	452318	Nut #10-24 Hex Nylon Insert
24	110510	Plastic Tip—Height Adjuster	77	457168	Bolt—3/8-16 x 7/8 Thread Forming
25	151613	Bolt—Hex Head #10-32-3/8	78	458687	Bolt—Hex Head 10-24 x 1/2
26	152231	Cable Clamp	79	459206	Bolt 1/4-20 x 5/8
27	111260	Plastic Tip—Height Adjuster Front	80	156166	Shoulder Bolt—Wheel Front
28	111724	Knob—Catcher Latch	81	463778	Bearing Plate
29	111526	Actuator—Engine Control	82	468397	Spacer
30	111625	Trailing Shield*	83	714170	Decal—Rating Plate
31	128686	Height Adjuster Assembly	84	715011	Hitch Pin #3
32	120295	Master Link	85	715037	Locknut 1/4-20 Keps
33	152249	Bolt—Hex Washer Head #10-32 x 3/8	86	715078	Nut 1/4-20 Flange Whiz
34	127167	Door Assembly*	87	715086	Locknut 3/8-16 Top
35	126466	Blade Adapter	88	715193	Rollpin 3/16 x 1
36	133371	Torsion Spring—Catcher Latch	89	715292	Bolt—Hex Head 1/4-20 x 1
37	143115	Decal—Danger*	90	715300	Washer 1/4"
38	144162	Decal—Door Caution*	91	715607	Washer—Belleville
39	001461	Decal—Blade Warning*	92	715417	Washer—3/8 SAE
40	144899	Decal—Starting Instructions	93	715508	Locknut 1/4-20 Top
41	150011	Bolt—Carriage 1/4-20 x 5/8 Gr. 5	94	771691	Bracket
42	150201	Washer—Curved 5/16	95	109017	Bracket—Deck
43	150235	Wing Nut 5/16-18	96	109058	Bracket—Pivot Arm
44	150276	Woodruff Key No. 6	97	109116	Bracket—R.H.
45	150623	Screw—Hex Head Sheet Metal #10 x 5/8	98	775817	Spring
46	150730	Shoulder Bolt—Wheel Rear	99	775858	Spring—Drive Control
47	150862	Bolt—Blade 3/8-24 x 1-1/4 Gr. 8*	100	778696	Arm—Actuator
48	151522	Bolt #10-24 x 3/4	101	783605	Rod—Engagement
49	151928	Bolt—Curved Head Crg 5/16-18 x 1-3/4	102	156919	Lockwasher-3/8 Split HD
50	151944	Bolt—Oval HD Mach., #10-24 x 2	103	156851	Bolt—1/4-20 x 3/8 Shaved Head

NOTE: PARTS ARE RIGHT OR LEFT HAND AS VIEWED FROM THE OPERATOR POSITION.

* INDICATES OPTIONAL EQUIPMENT