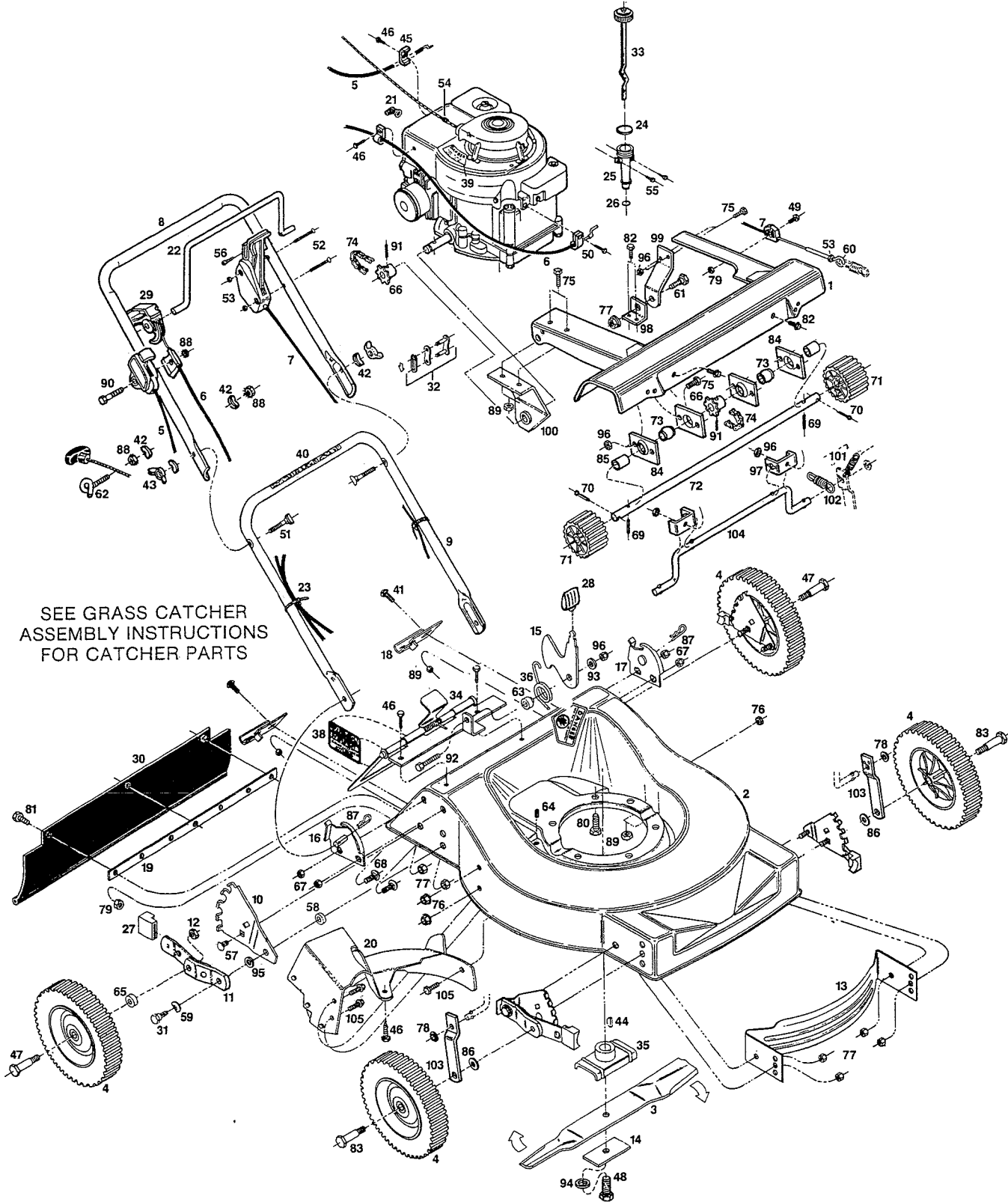


**21" Rear Bagging Self Propelled Cog Drive
Rotary Mower
With Grass Catcher
Model WRBSP21F Wheeler**



SEE GRASS CATCHER
ASSEMBLY INSTRUCTIONS
FOR CATCHER PARTS

**21" Rear Bagging Self Propelled Cog Drive
Rotary Mower
With Grass Catcher
Model WRBSP21F Wheeler**

Index No.	Part No.	Description	Index No.	Part No.	Description
1	012849	Drive Cover	51	151928	Bolt—Curved Head Crg 5/16-18 x 1-3/4
2	013974	Deck 21" Orange	52	151944	Bolt—Oval HD March., #10-24 x 2
3	030338	Blade 21"	53	151985	Nut—Hex #10-24
4		Wheel Assemblies•	54	152074	Rope Stop
	040741	8" Plastic—White—Cog—Nylon Bearing	55	152082	Screw—Oil Dip Stick•
	041095	8" Steel—White—Cog—Flange Bearing	56	152181	Screw—Bail Retaining
5	051227	Control—Throttle w/Cable	57	152405	Bolt—Carriage 3/8-16 x 3/4
6	051532	Cable—Engine/Blade Control*	58	156182	Washer—Plastic—Height Adjuster
7	051631	Drive Control	59	152421	Washer—Spring—Height Adjuster
8	071092	Handle—Upper	60	153890	Eyebolt—10-24 x 2
	071100	Handle—Upper with Cushion Grip•	61	153643	Shoulder Bolt
9	071449	Handle—Lower	62	152371	Rope Guide
10	090589	Back Plate—Height Adjuster	63	152637	Spacer—Catcher Latch
11	091033	Wheel Arm Assy	64	111856	Bolt Cap
12	715524	Locknut 3/8-16 Jam	65	152686	Spacer—Rear Wheel
13	105825	Baffle—Front	66	170142	Sprocket—8 Tooth
14	106005	Blade Washer	67	310151	Locknut—5/16-18 Nylock
15	108324	Catcher Latch	68	450346	Bolt—Hex 5/16-18 x 3/4
16	097162	Handle Bracket—Right Hand	69	314096	Rollpin 3/16 x 1-1/4
17	097170	Handle Bracket—Left Hand	70	317016	Cotter Pin 1/8 x 1
18	109546	Catcher Frame Bracket	71	416693	Pinion
19	109496	Backing Strip—Trailing Shield*	72	417741	Shaft
20	127191	Baffle Assembly—Rear	73	423319	Bearing
21	110833	Cover—Spark Plug	74	128900	Chain
22	097659	Bail—Engine/Blade Control*	75	449587	Bolt—Hex 1/4-20 x 5/8
23	110379	Cable Tie	76	451419	Locknut 1/4-20 Flanged Top
24	110494	'O'-Ring•	77	451492	Nut—3/8-16 Top Lock Flanged
25	111112	Oil Fill Tube•	78	452250	Push Nut—3/8
26	111120	'O'-Ring•	79	452318	Nut #10-24 Hex Nylon Insert
27	112540	Plastic Tip—Height Adjuster	80	457168	Bolt—3/8-16 x 7/8 Thread Forming
28	111724	Knob—Catcher Latch	81	458687	Bolt /Hex Head 10-24 x 1/2
29	111526	Actuator—Engine Control	82	459206	Bolt 1/4-20 x 5/8
30	111625	Trailing Shield*	83	156166	Shoulder Bolt—Wheel Front
31	156125	Shoulder Bolt	84	463778	Bearing Plate
32	120295	Master Link #65	85	468397	Spacer
33	125237	Oil Dip Stick and Cap•	86	715607	Washer—Belleville 3/8
34	127167	Door Assembly*	87	715011	Hitch Pin #3
35	126466	Blade Adapter	88	715037	Locknut 1/4-20 Keps
36	133371	Torsion Spring—Catcher Latch	89	715078	Nut 1/4-20 Flange Whiz
37	143115	Decal—Danger*	90	153874	Bolt—Hex Head 1/4-20 x 2 1/4
38	002451	Decal—Door Caution*	91	715193	Rollpin 3/16 x 1
39	001461	Decal—Blade Warning*	92	715292	Bolt—Hex Head 1/4-20 x 1
40	144899	Decal—Starting Instructions	93	715300	Washer 1/4"
41	150011	Bolt—Carriage 1/4-20 x 5/8 Gr. 5	94	156919	Lockwasher—3/8 HD Split
42	150201	Washer—Curved 5/16	95	156877	Washer—3/8 Hardened
43	150235	Wing Nut 5/16-18	96	715508	Locknut 1/4-20 Top
44	150276	Woodruff Key No. 6	97	771691	Bracket
45	150318	Cable Clamp	98	109058	Bracket—Pivot
46	150623	Screw—Hex Head Sheet Metal #10 x 5/8	99	109017	Bracket—Arm
47	156133	Shoulder Bolt—Wheel Rear	100	108951	Bracket—R.H.
48	157255	Bolt—Blade 3/8-24 x 1 1/4	101	775817	Spring
49	151522	Bolt #10-24 x 3/4	102	775858	Spring—Drive Control
50	151613	Bolt—Hex Head SEMS 10-32 x 3/8	103	778696	Arm—Acuator
			104	783605	Rod—Engagement
			105	156851	Bolt—1/4-20 x 3/8 SH HD

NOTE: PARTS ARE RIGHT OR LEFT HAND AS VIEWED FROM THE OPERATOR POSITION.
SPECIFICATIONS SUBJECT TO CHANGE WITHOUT PRIOR NOTICE
•INDICATES OPTIONAL EQUIPMENT