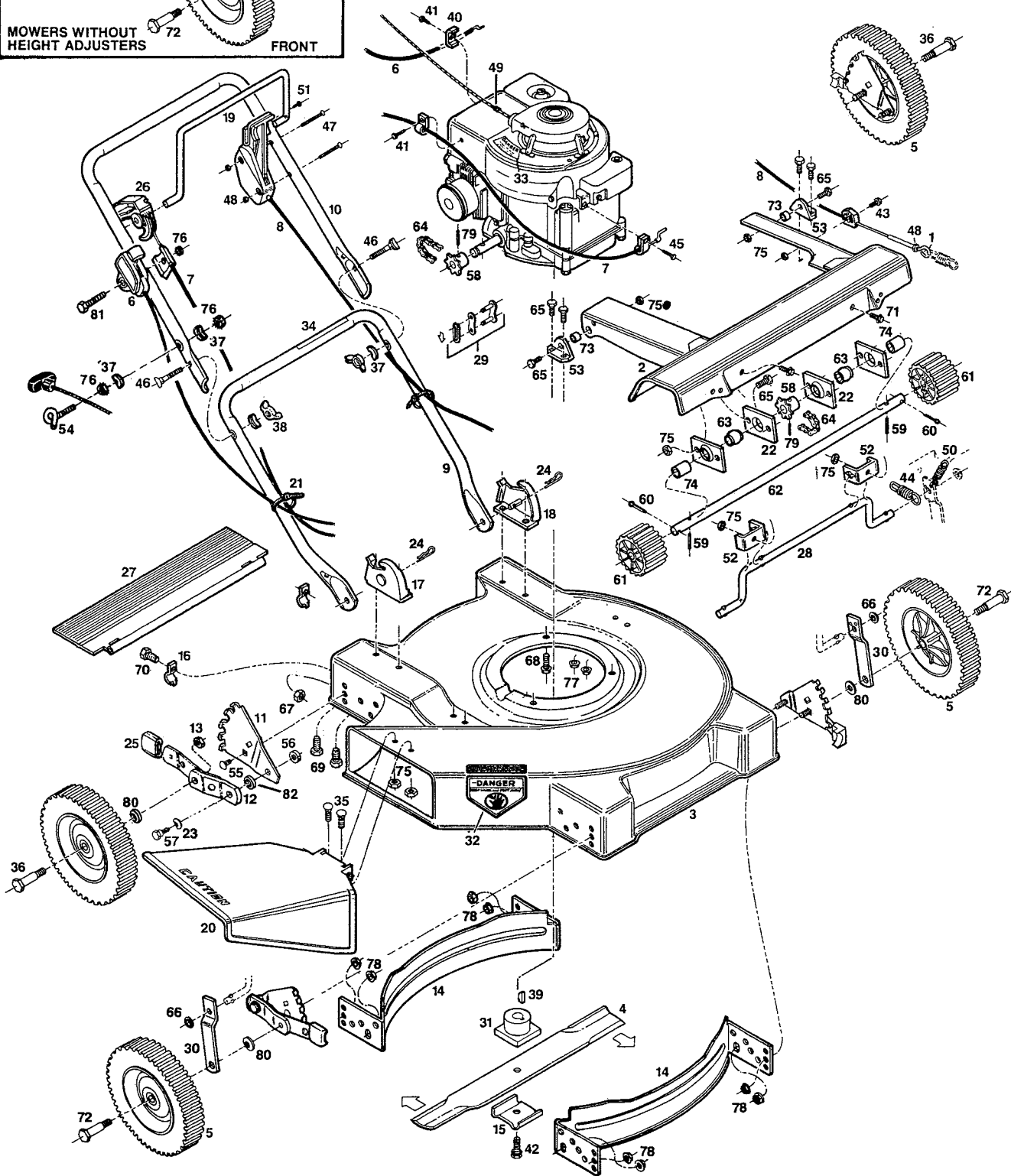
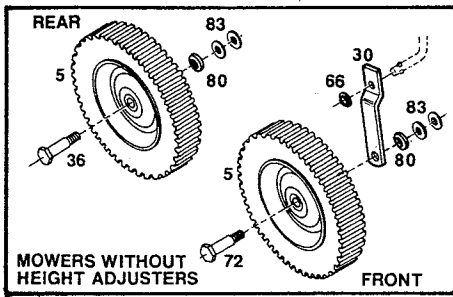


22" Self Propelled Front Cog Drive
 Rotary Mower
 Models WRSP22F
 CS22F
 FURSP22F



**22" Self Propelled Front Cog Drive
Rotary Mower
Models WRSP22F
CS22F
FURSP22F**

Rotary Mower

Accepts large, easy to empty
Grass Catcher Model GC-6A

Index No.	Part No.	Description	Index No.	Part No.	Description
1	153890	Eyebolt	39	150276	Woodruff Key #6
2	024497	Cover Assembly w/o Ht. Adj.	40	150318	Cable Clamp
	024489	Cover Assembly w/Ht. Adj.	41	150623	Screw Hex Head Sht. Metal #10 x 5/8
3	013458	Deck - 22" Green	42	150862	Bolt-Blade 3/8-24 x 3/4
4	030049	Blade 22" Flat	43	151522	Bolt #10-24 x 3/8
5		Wheel Assemblies•	44	775858	Spring - Drive Control
	040741	Wheel - 8" Plastic White Cog	45	151613	Bolt - Hex Head Sems
	040766	Wheel - 7" Plastic White Cog	46	151928	Bolt - Curved Head Square 5/16-18 x 1 3/4
6	051219	Control - Throttle w/Cable	47	151944	Bolt - Oval Head Machine, #10-24 x 2
7	051490	Cable - Engine/Blade Control	48	151985	Nut - Hex #10-24
8	051615	Control - Ground Drive	49	152074	Rope Stop
9	071563	Handle - Lower	50	775817	Spring - Pinion Assy.
10	071092	Handle - Upper	51	152181	Screw - Bail Retaining
	071100	Handle - Upper Cushioned•	52	771691	Bracket
11	090589	Back Plate - Ht. Adjuster•	53	769067	Bracket - Pinion Tube
12	091033	Wheel Arm Assy.	54	152371	Rope Guide
13	715524	Locknut 3/8-16 Jam	55	152405	Bolt - Carriage 3/8-16 x 3/4•
14	010519	Baffle - Rear Standard, Front•	56	156182	Washer - Plastic•
15	016336	Washer - Blade Adapter	57	156125	Shoulder Bolt - Ht. Adjuster•
16	106914	Clip - Trailing Shield*	58	170142	Sprocket - 8 Tooth
17	107086	Handle Bracket - R.H.	59	314096	Roll Pin 3/16 x 1-1/4
18	107094	Handle Bracket - L.H.	60	317016	Cotter Pin 1/8 x 1
19	107367	Bail - Engine/Blade Control*	61	416693	Pinion
20	110221	chute Deflector Assembly*	62	417741	Shaft w/o Ht. Adj.
21	110379	Cable Tie		417766	Shaft w/ Ht. Adj.
22	463778	Bearing Plate	63	423319	Bearing
23	152421	Spring Washer	64	425306	Chain
24	715011	Hitch Pin	65	449587	Bolt - Hex Head 1/4-20 x 5/8
25	112540	Plastic Tip - Ht. Adjuster•	66	452250	Push Nut
26	111526	Actuator-Engine Control	67	452318	Nut - Nylon Insert #10-24
27	111609	Trailing Shield - 22" w/o Ht. Adj.	68	457168	Bolt - Thread Form 3/8-16 x 7/8
	111617	Trailing Shield - 22" w/ Ht. Adj.*	69	457499	Bolt - Thread Form 1/4-20 x 1/2
28	128728	Rod - Engagement w/o Ht. Adj.	70	458687	Bolt - #10-24 x 1/2
	783613	Rod - Engagement w/ Ht. Adj.	71	459206	Bolt - Flange Head, 1/4-20 x 5/8
29	120295	Master Link #65	72	156166	Bolt - Shoulder Front
30	778696	Actuator Arm - 8" Wheel	73	468355	Spacer Pivot
	108878	Actuator Arm - 7" Wheel	74	468405	Spacer - w/Ht. Adj.
31	133231	Blade Adapter		468397	Spacer - w/o Ht. Adj.
32	144063	Decal - Danger*	75	715508	Nut - Top Lock 1/4-20
33	001461	Decal - Blade Warning*	76	715037	Nut - Kep 1/4-20
34	144899	Decal - Starting Instructions	77	451419	Nut - Top Lock Flange 1/4-20
35	150011	Bolt - Carriage 1/4-20 x 5/8	78	451492	Nut 3/8-16 TopLock Flange
36	150060	Shoulder Bolt - Rear w/Ht. Adj.	79	715193	Roll Pin 3/16 x 1
	150730	Shoulder Bolt - Rear w/o Ht. Adj.	80	715607	Washer - Belleville
37	150201	Washer - Curved 5/16	81	153874	Bolt - 1/4-20 x 2 1/4 Hex Head
38	150235	Wingnut 5/16-18	82	156877	Washer - 3/8 Hardened
			83	715417	Washer - 3/8 SAE

NOTE: PARTS ARE RIGHT OR LEFT HAND AS VIEWED FROM THE OPERATOR POSITION.

SPECIFICATIONS SUBJECT TO CHANGE WITHOUT PRIOR NOTICE

•INDICATES OPTIONAL EQUIPMENT