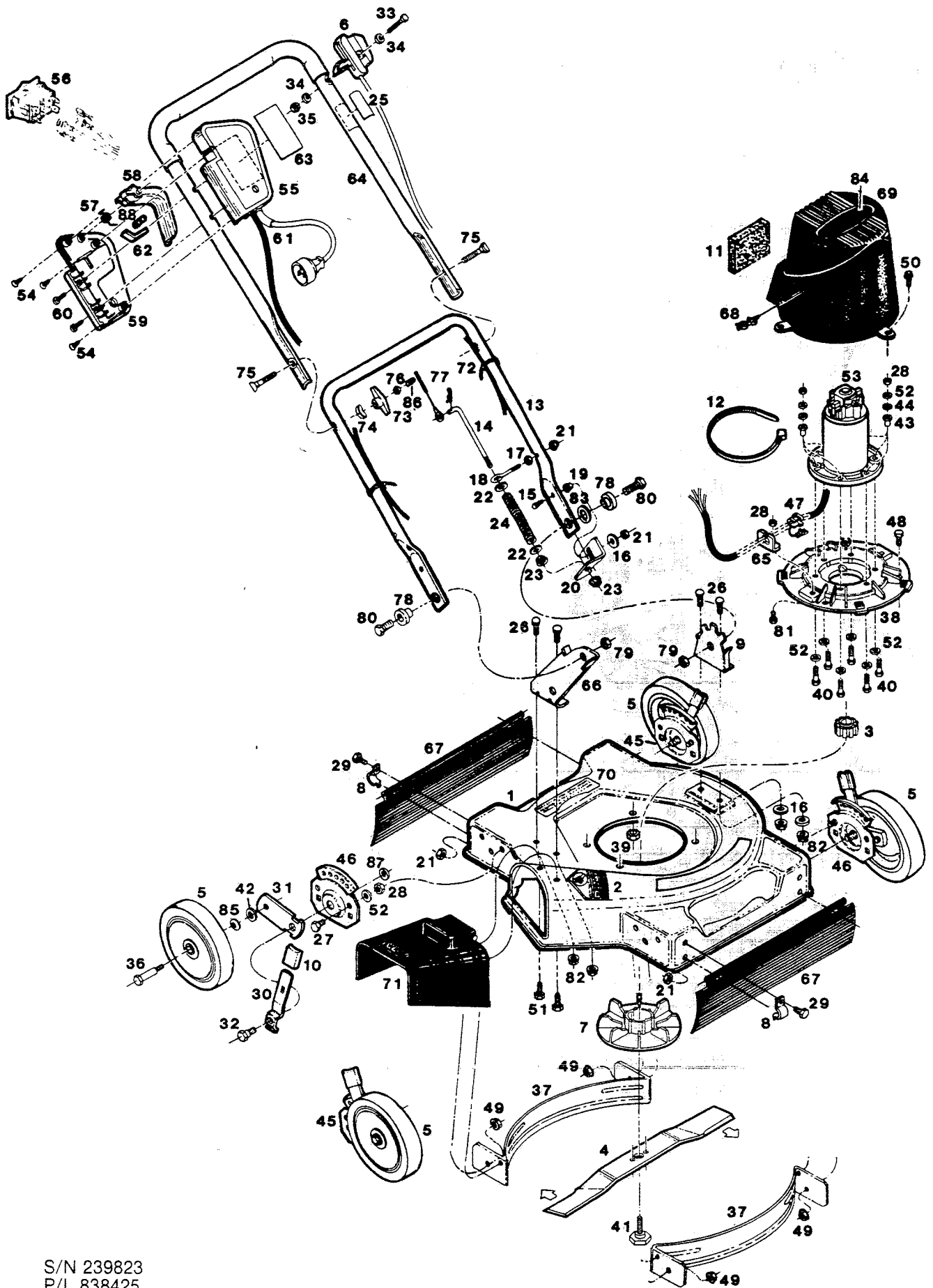


MODEL: WSO119A-N



S/N 239823  
P/L 838425  
O/M 838426

# PARTS LIST

Parts listed are for the mower excluding the motor.  
For motor information refer to Operators Manual and Back Page of this Parts List.

Index No.	Part No.	Description	Index No.	Part No.	Description
1	023677	Deck 19"	46	092643	Back Plate-Ht. Adj., L.H. Front, R.H. Rear
2	007518	Decal - Danger	47	447771	Strain Relief-Electric Cord
3	018507	Adapter-Blade	48	450346	Bolt-5/16-18 x 3/4
4	018515	Blade-19"	49	156406	Nut - 3/8-16 Flange Lock
5	043000	Wheel - 7" White-Plastic	50	164972	Screw - #10-32 x 1 Self Tap
6	053074	Control-Handle Release	51	164998	Bolt - 1/4-20 x 1/2 Self Tap
7	099705	Fan - Electric Motor	52	462093	Washer - Flat 1/4"
8	106914	Clip - Trailing Shield	53	831413	Motor - Electric
9	107318	Handle Bracket L.H.	54	152801	Screw - #8 - 12 x 3/4"
10	114462	Tip-Adjuster Lever	55	630277	Switch Box Body
11	113781	Filter-Electric Motor	56	630285	Switch - Control
12	113951	Cable Tie 15"	57	630293	Spring - Lever
13	072751	Handle-Lower-Chrome	58	630301	Lever - Switch Box
	073106	Handle-Lower-Black	59	630327	Switch Box Cover
14	107805	Rod-Handle Lock	60	630343	Screw - #10-8 x 1 1/4"
15	151522	Screw - #10-24 x 3/4 Hex	61	630350	Wire Harness Assembly
16	151555	Washer - Flat 1/4" I.D. 1 O.D.	62	813142	Bracket - Switch
17	151985	Nut - #10-24 Hex	63	680793	Decal - Handle Control
18	153890	Eye bolt #10-24 x 2	64	657908	Handle - Upper-Chrome
19	154047	Spacer - Lock Plate		073254	Handle - Upper-Black
20	179341	Plate - Lock	65	664144	Bracket - Cord
21	452318	Nut - #10-24 Nylock	66	665281	Handle Bracket RH.
22	462093	Washer - Flat 1/4"	67	673236	Shield - Trailing
23	715078	Nut - 1/4-20 Flange Whiz	68	667519	Clip - Cord
24	775825	Spring - Handle Latch	69	841506	Shroud - Electric Motor (When ordering new shroud also order 667519 Cord Clip)
25	147421	Decal - Handle Control	70	680801	Decal - U.L. Control No.
26	150011	Bolt-Carriage 1/4-20 x 5/8	71	713263	Chute Deflector
27	715045	Bolt - 1/4-20 x 3/4	72	110379	Cable Tie
28	715508	Nut - 1/4-20 Toplock	73	113589	Knob - Wing
29	458687	Screw - #10 - 24 x 1/2	74	150201	Curved Washer
30	776500	Setting Lever - Ht. Adj.	75	151936	Bolt - Curved Head 5/16 - 18 x 2 1/4
31	092668	Wheel Arm	76	310045	Nut - 5/16 - 18
32	153650	Shoulder Bolt - Ht. Adj.	77	490011	Hairpin - Cotter
33	154112	Bolt - Plastic Handle Control	78	673251	Bushing Pivot Plastic
34	154120	Washer - Plastic Handle Control	79	715086	Nut - 3/8 - 16 Top Lock
35	154138	Nut - Plastic Handle Control	80	715326	Bolt - 3/8 - 16 x 1"
36	166619	Wheel Bolt	81	715052	Bolt - 1/4 - 20 x 1/2"
37	093047	Baffle - Deck	82	715078	Nut - 1/4 - 20 Flange Lock
38	841511	Plate - Motor	83	461731	Washer - 3/8 Flat
39	310151	Nut - 5/16-18 Nylock	84	827399	Decal - Caution
40	312108	Bolt - 1/4"-20 x 1-1/4	85	715607	Washer - 3/8 Belleville
41	382820	Bolt - Blade 3/8-24	86	110064	Cap-Plastic
42	715417	Washer - Flat	87	311340	Washer 3/8
43	380576	Bushing - Nylon Flange	88	813143	Spring - Control lever
44	380584	Washer - Plastic			
45	092650	Back Plate - Ht. Adj., R.H. Front, L.H. Rear			

GRASS CATCHER NOT INCLUDED. ASK FOR GRASS CATCHER MODEL GC-12A.  
FOR ORDERING PARTS SEE PARTS ORDERING FORM ENCLOSED IN LITERATURE BAG.

**WARNING** THOROUGHLY READ OPERATOR'S MANUAL AND COMPLETELY ASSEMBLE ALL LOOSE PARTS BEFORE OPERATING MOWER.

**WARNING** WHEN SERVICING USE ONLY GENUINE FACTORY REPLACEMENT PARTS THAT ARE SPECIFICALLY FOR YOUR PARTICULAR MODEL

**WARNING** DO NOT OPERATE YOUR MOWER UNLESS ALL PARTS ARE ATTACHED AND IN GOOD WORKING ORDER. KEEP YOUR MOWER IN GOOD REPAIR AT ALL TIMES.

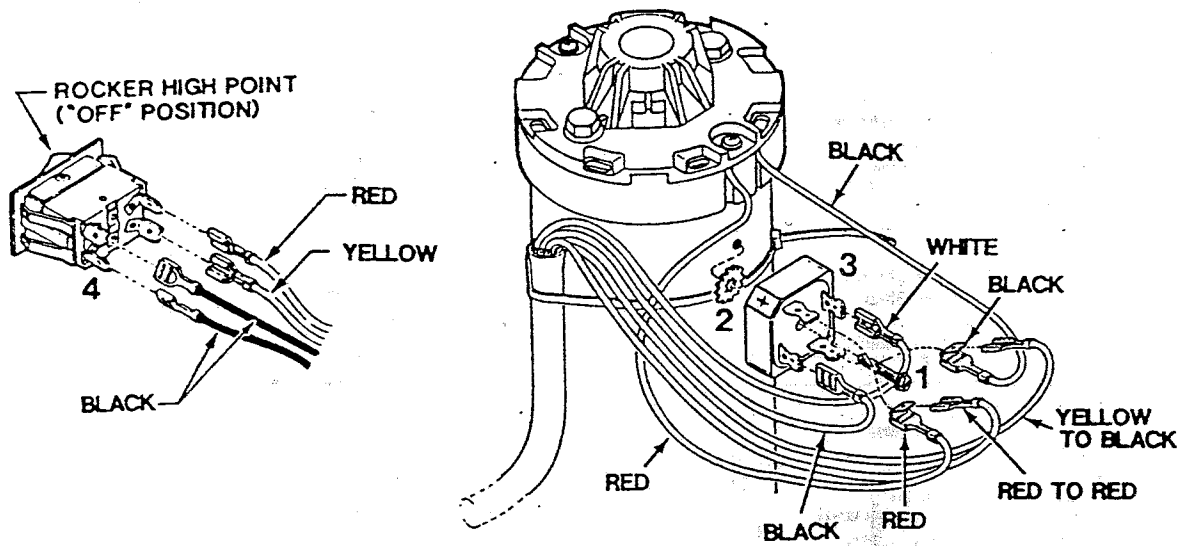
**NOTE:** PARTS ARE RIGHT OR LEFT HAND AS VIEWED FROM THE OPERATOR POSITION

SPECIFICATIONS SUBJECT TO CHANGE WITHOUT PRIOR NOTICE

S/N 239823  
P/L 838425  
O/M 838426

## MOTOR PARTS LIST

Your motor drive unit has no consumer serviceable parts. All repairs to the motor should be performed by the manufacturer's authorized service center.



Index No.	Part No.	Description	Index No.	Part No.	Description
1	380543	Screw - #10-24 x 3/4 Hex	3	630012	Rectifier Full Wave
2	461715	Washer - External Tooth	4	630285	Switch - Control

## MOTOR REPLACEMENT

**WARNING** To prevent accidental starting or an electric shock always disconnect the extension cord from power source before servicing the motor or lawn mower.

**WARNING** If you remove the motor from motor plate make certain you assemble all parts in the same manner as they were disassembled. Tighten bolts sufficiently to achieve .098-.125 dimension as shown in illustration. Refer to illustrations for correct assembly. Failure to assemble motor to motor plate correctly will defeat the double insulated protection and increase the risk of electrical shock.

