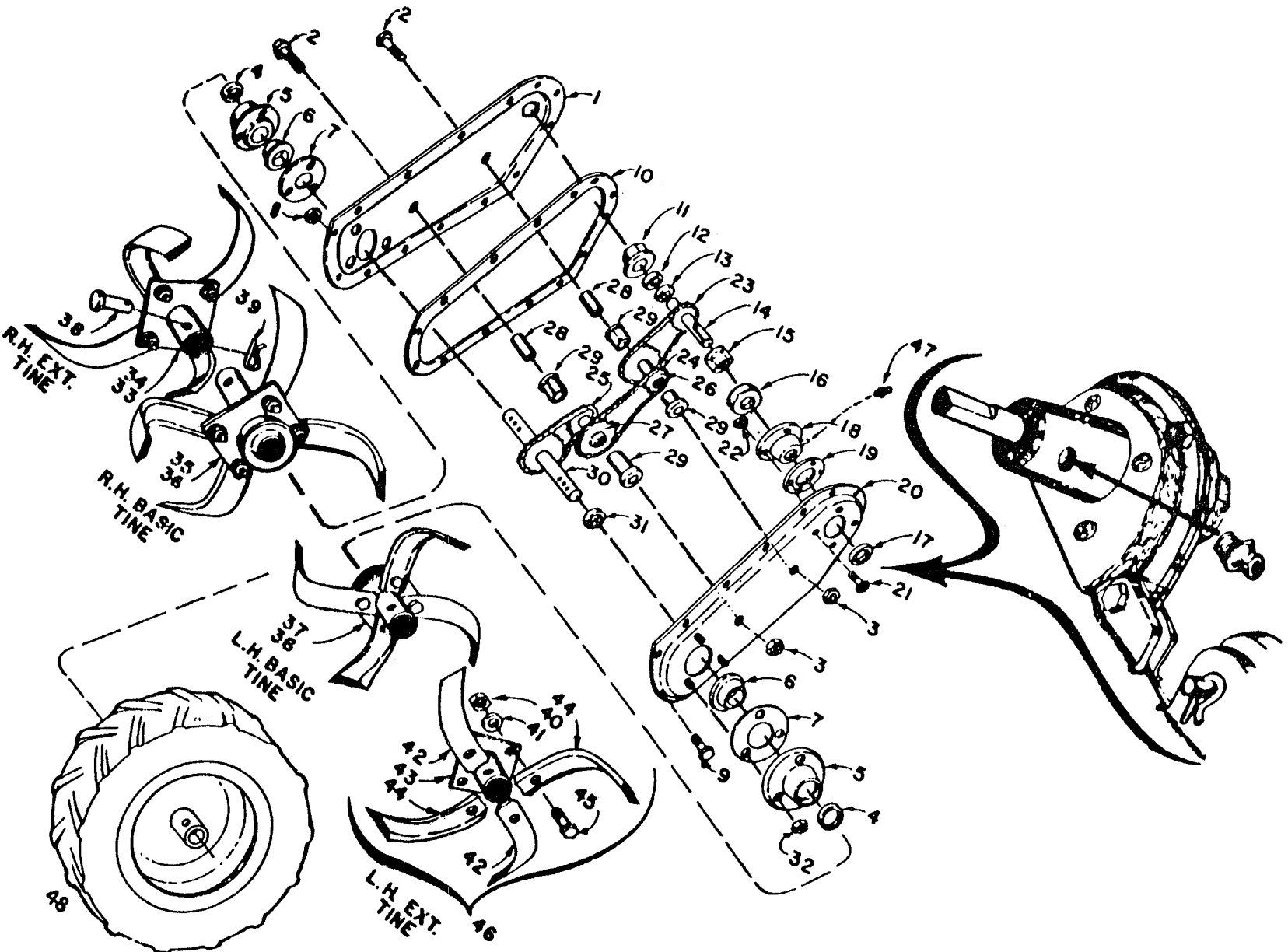


**5 HP Versa Till 2-Speed
Chain Drive Tiller
Model WTV5F**

Ref. No.	Part No.	Description	Ref. No.	Part No.	Description
1		Briggs & Stratton	36	616532	Clevis Pin
2	616342	Hex Lock Nut 5/16-18	37	616227	Hair Pin
3	618744	Pulley 2" Dia.	38	573949	Wheel Yoke Wldt.
4	616870	Pulley 3½" Dia.	39	615625	Nut 1/2-13
5	624932	Screw - 1/4-20 x 1/2	40	615674	Lockwasher
6	555599	Bracket-Sheave Cover	41	151241	Flat Washer 1/2 Nom.
7	572792	Belt Keeper	42	498808	Wheel 10"
8	615674	Lockwasher 1/2 Nom.	43	616516	Bolt - Wheel
9	615955	Hex Head Bolt 1/2-20 x 1	44	572420	Handle Bar Support R.H.
10	573634	Sheave Cover	45	572412	Handle Bar Support L.H.
11	590760	Idler Arm Weldment	46	574442	Panel - Handle
12	615914	Hex Head Bolt 3/8-16 x 2½	47	572487	Handle Bar L.H.
13	170621	Idler Pulley	48	751032	Grip-Handle Bar
14	616854	Spacer Washer	49	616862	Spring-Clutch
15	624908	Hex Locknut 3/8-16	50	616201	Lever Link
16	616102	Hex Head Bolt 5/16-18 x 1½	51	618652	Clutch Lever
17	312066	Hex Head Bolt 5/16-18 x 3/4	52	450072	Hex Head Bolt 1/4-20 x 1½
18	574301	Engine Mount R.H.	53	616615	Hex Nut No. 10-24
19	574293	Engine Mount L.H.	54	574608	Handle Bar R.H.
20	572842	Stake	55	530212	Throttle Control and Cable
21	312058	Hex Head Bolt 5/16-18 x 1	56	627216	Pan Head Screw No. 10-24 x 1.50
22	616151	Hex Head Nut 1/4-20	57	616375	Hex Locknut 1/4-20
23	618793	Cable Guide	58	616235	Push Nut
24	618835	Cable & Chain Assembly	59	616243	Spring-Lever Lock
25	616136	Hex Head Bolt 5/16-18 x 3¼	60	616607	Pin-Lock
26	617159	Spacer	61	551689	Decal-Control
27	572388	Brace-Handle to Transmission	62	572826	Chassis Weldment
28	551648	Decal-Caution.	63	551713	Decal-Place Free Hand Here
29	616078	Hex Head Bolt 5/16-18 x 3½	64	618819	Belt
30	618728	Pulley 8" Dia.	65	572396	Lower Bracket-Sheave Cover
31	617787	Spacer 1/4 thick	66	616839	Key 3/16" Square
32	618736	Pulley 7" Dia.	67	616219	Cable Clip
33	615864	Hex Head Bolt 5/16-18 x 1¾	68	156208	Set Screw 5/16-18
34	618785	Spacer 1" Long Nom.	69	551846	Decal-Caution Disengage
35	551655	Decal-Warning			

Transmission & Tine Assemblies

5 HP Versa Till 2-Speed
Chain Drive Tiller
Model WTV5F



**5 HP Versa Till 2-Speed
Chain Drive Tiller
Model WTV5F**

Ref. No.	Part No.	Description	Ref. No.	Part No.	Description
1	572867	R.H. Chain Case	25	617936	Chain 50
2	616003	Hex Bolt	26	618132	Sprocket Weldment
3	624908	Hex Nut 3/8-16	27	618124	Sprocket Weldment
4	616391	Hub Seal	28	618025	Bushing
5	618371	Hub	29	617597	Bushing
6	617589	Bearing	30	618116	Axle Weldment
7	618165	Gasket-Axle	31	618066	Spacer
8	616151	Hex Nut 1/4-20	32	616342	Hex Nut 5/16-18
9	449587	Hex Bolt 1/4-20 x 5/8	33	572917	R.H. Ext Tine Assembly
10	618231	Gasket-Transmission	34	617373	R.H. Ext. Tube
11	618488	Bearing Holder	35	572891	R.H. Basic Tine Assembly
12	617225	Bearing	36	624353	Basic Tube Weldment
13	618058	Spacer-Input Shaft	37	572883	L.H. Basic Tine Assembly
14	618140	Input Shaft Weldment	38	616532	Clevis Pin
15	618330	Spacer	39	616227	Hair Pin
16	617233	Bearing	40	615633	Hex Nut 3/8-24
17	617258	Seal	41	615666	Lockwasher 3/8
18	618520	Bearing Support	42	556225	R.H. Tine
19	617977	Gasket	43	617365	L.H. Ext. Tube Weldment
20	572875	L.H. Chain Case	44	556233	L.H. Tine
21	616177	Screw No. 10-24 x 1/2	45	624940	Hex Bolt 3/8-24 x 1
22	616615	Hex Nut No. 10	46	572909	L.H. Ext. Tine Assembly
23	617944	Chain 41	47	624890	Lubrication Fitting 1/4-28
24	617910	Chain 40	48	618769	Wheel & Tire L.H. - Drive
				618777	Wheel & Tire R.H. - Drive (not shown)

NOTE: Fill Transmission with EP-2 Grease.

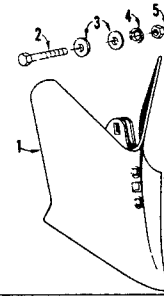
Attachments

ATTACHMENTS

Your tiller/tractor was shipped with five attachments. (1) furrower that attaches to the drag stake. (2) vee bar attachment. (3) turn shovel attachment. (4) cultivator attachment. (5) gage wheel.

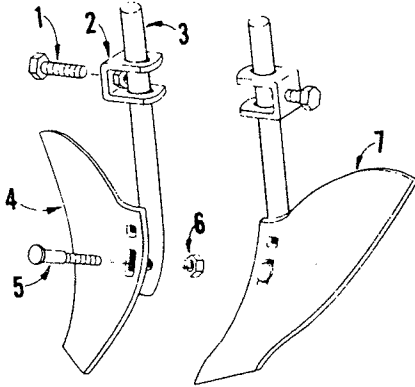
5 HP Versa Till 2-Speed Chain Drive Tiller Model WTV5F

FURROWER ATTACHMENT



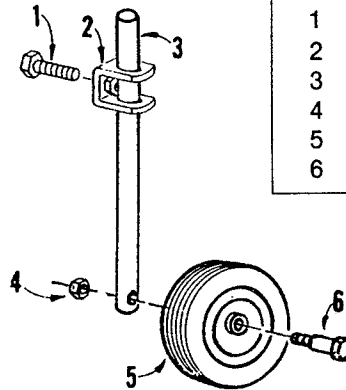
KEY NO.	PART NO.	DESCRIPTION
1	573147	Furrower WLDT
2	312272	Bolt 3/8-16 x 1 1/2
3	616854	Flat Washer
4	615666	Lockwasher
5	715391	Nut 3/8-16

HILLER-FURROWER



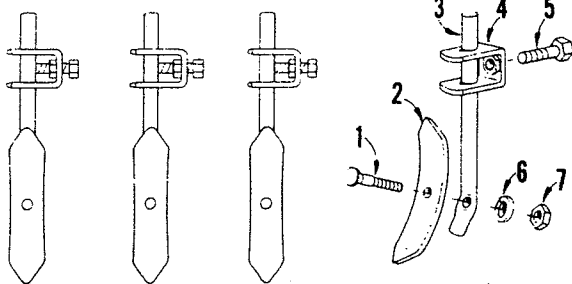
KEY NO.	PART NO.	DESCRIPTION
1	615609	Bolt 1/2-20 x 1 1/2
2	573154	Clip WLDT
3	619718	Bar
4	619627	Turn Shovel R.H.
5	615476	Plow Bolt
6	624908	Locknut
7	619635	Turn Shovel L.H.

GAGE WHEEL



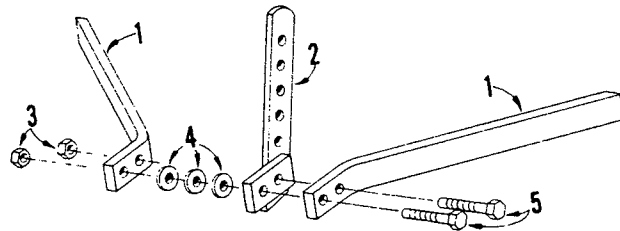
KEY NO.	PART NO.	DESCRIPTION
1	615609	Bolt 1/2-20 x 1 1/2
2	573154	Clip WLDT
3	574061	Rod-Wheel
4	715524	Locknut - 3/8-16
5	498394	Wheel
6	156133	Bolt-Wheel

CULTIVATOR ATTACHMENT



KEY NO.	PART NO.	DESCRIPTION
1	615476	Plow Bolt
2	619676	Tooth Point
3	619718	Bar - Tooth Point
4	573154	Clip WLDT
5	615609	Bolt 1/2-20 x 1 1/2
6	615666	Lockwasher
7	715391	Nut

VEE BAR ATTACHMENT



KEY NO.	PART NO.	DESCRIPTION
1	572933	Vee Bar
2	572925	Adaptor WLDT
3	624908	Locknut
4	616854	Flat Washer
5	312355	Bolt 3/8-16 x 2