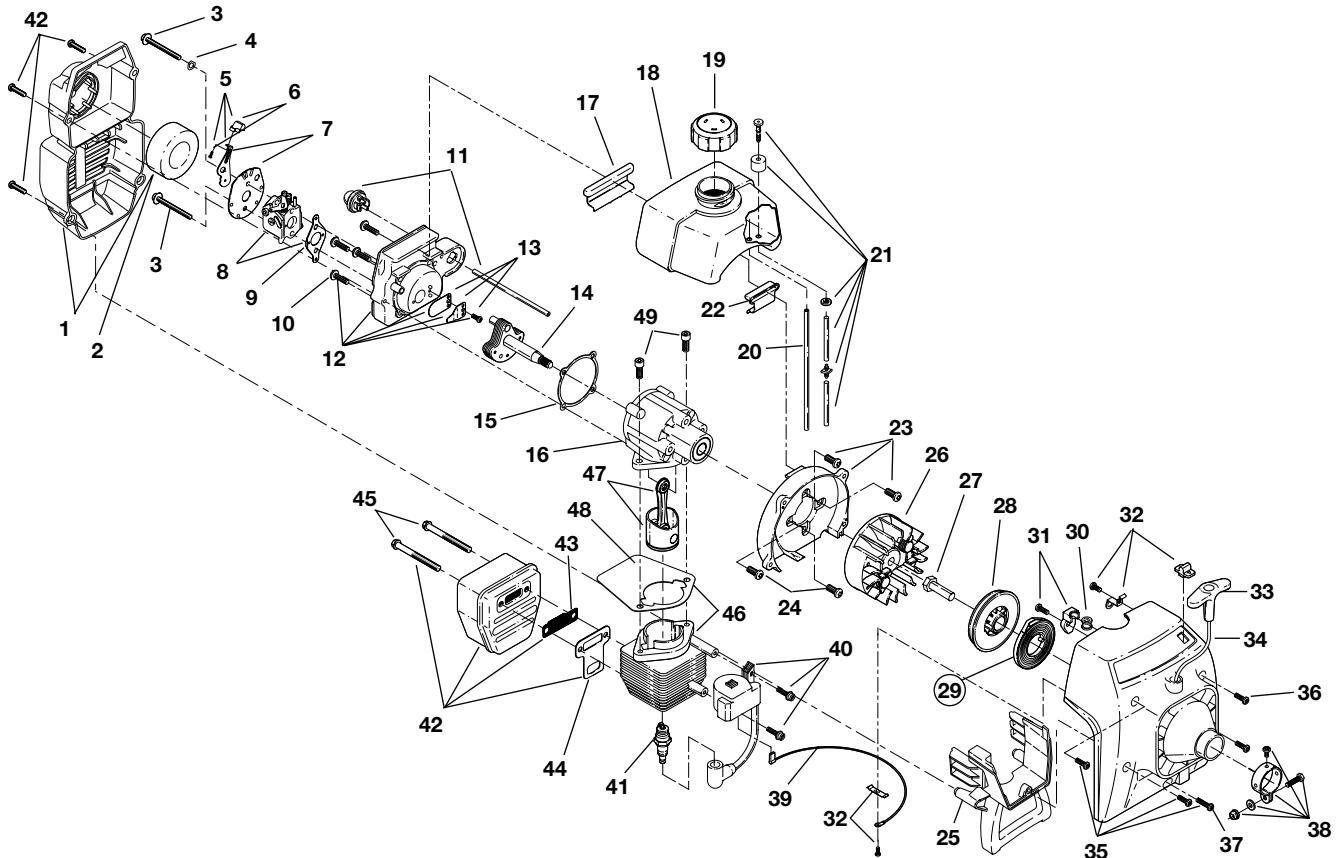


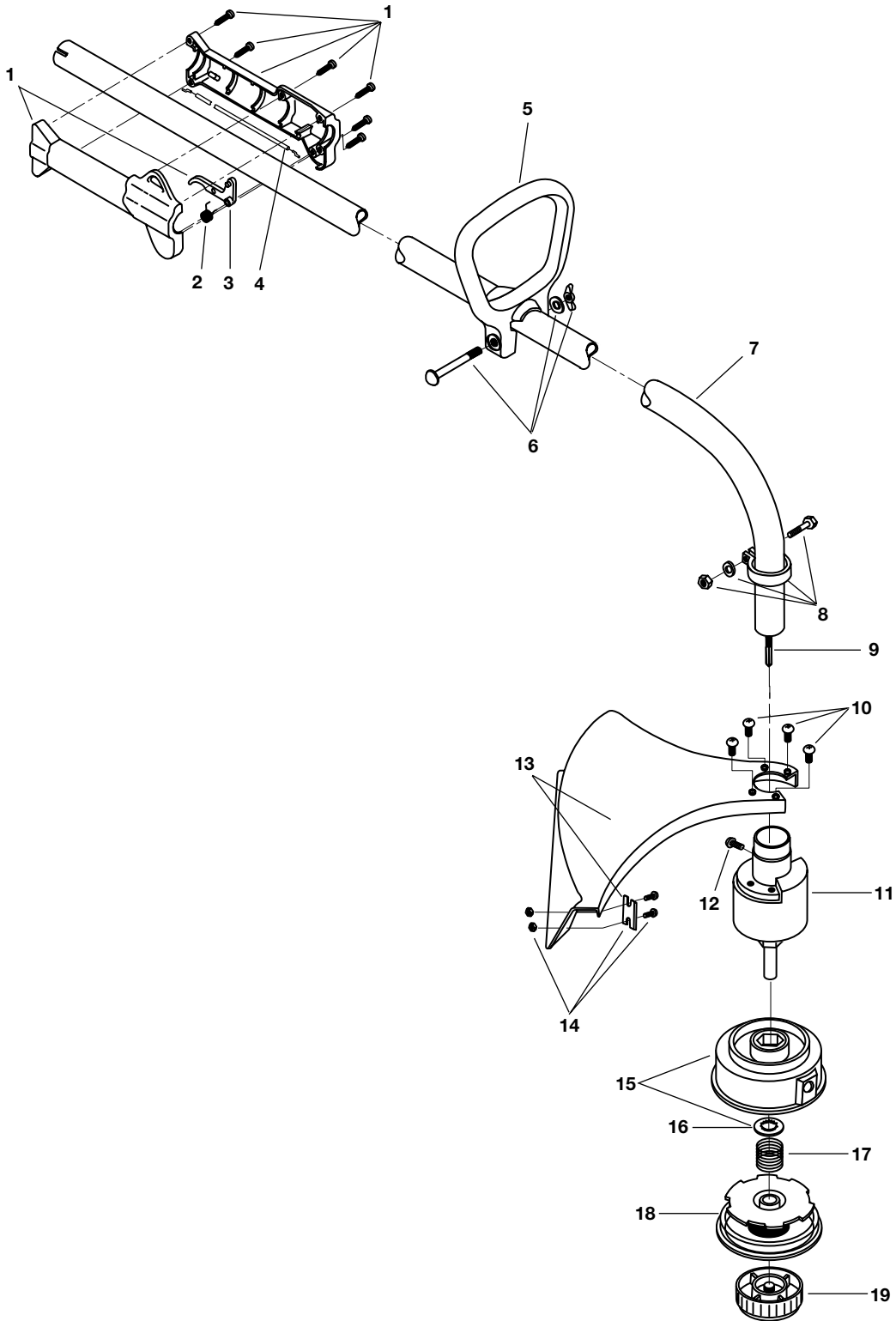
# SECTION 9: PARTS LIST FOR MODEL Y28 - 41AD-280G000



# MODEL Y28 - 41AD-280G000

Ref. No.	Part No.	Part Description	Ref. No.	Part No.	Part Description
1	182059	Air Cleaner/Muffler Cover Assembly (includes 2 & 42)	31	181889	Pulley Retainer Assembly
2	180350	Air Cleaner Filter	32	182827	Switch Assembly (includes 39)
3	181345	Carburetor Mounting Screw Assembly	33	181079	Pull Handle
4	180226	Wavey Washer	34	613103	Rope
5	182160	Choke Lever Assembly (includes 6)	35	182828	Starter Housing Assembly (includes 28-34 & 39)
6	182161	Choke Knob and Screw	36	181862	Housing Screw
7	182162	Choke Lever and Plate (includes 5)	37	181345	Cover Screw
8	182062	Carburetor Assembly W/Limiter Caps (includes 9 & 21)	38	153597	Upper Clamp Assembly
9	610675	Carburetor Gasket	39	180036	Wire Lead
10	181860	Carb Mount Screw	40	181937	Module Assembly
11	182616	Primer and Hose Assembly	41	610311	Spark Plug
12	182063	Carb Mount Assembly (includes 10 & 15)	42	182066	Muffler Assembly (includes 43-45)
13	684451	Reed Assembly	43	182747	Spark Arrestor
14	181866	Power Shaft Assembly	44	182065	Exhaust Gasket
15	612115	Carburetor Mount Gasket	45	147575	Muffler Mounting Bolt Assembly
16	181865	Crank Case Service Assembly (includes 10, 14 & 24)	46	181622	Cylinder Assembly (includes 48 & 49)
17	612134	Rear Mounting Pad	47	684449	Piston and Rod Assembly
18	181152	Fuel Tank Assembly (includes 19-21)	48	610674	Cylinder Gasket
19	180000	Fuel Cap Assembly	49	182505	Cylinder Bolt
20	181168	Fuel Return Line	*	182067	Engine Gasket Kit
21	682039	Fuel Line Assembly	*	180602	O.E.M. Carburetor Repair Kit (Walbro)
22	145308	Front Mounting Pad	*	180090	O.E.M. Carburetor Repair Kit (Zama)
23	153520	Shroud Assembly	*	181069	Gasket Diaphragm Repair Kit (Walbro)
24	181861	Shroud Screw	*	180091	Gasket Diaphragm Repair Kit (Zama)
25	182064	Shroud Extension and Stand	*	180530	Piston Ring
26	181867	Flywheel Assembly	*	182792	Short Block Assembly (includes 10, 14, 16, 24, 41, 46-49)
27	610303	Square Nut Drive	*	181501	Starter Housing Screw Set
28	181597	Recoil Pulley Assembly	*	610309	Crankcase Seal
29	613102	Recoil Spring			
30	611061	Rope Guide	*	Not Shown	

# MODEL Y28 - 41AD-280G000



# MODEL Y28 - 41AD-280G000

## Optional Accessories

Ref. No.	Part No.	Part Description	Ref. No.	Part No.	Part Description
1	182093	Throttle Housing and Trigger Assembly (includes 2 & 3)	*	610375	Replacement Line, 0.80 Diameter
2	610314	Throttle Trigger Spring	*	153577	Reel and Line Assembly
3	180975	Throttle Trigger	*	180897	Bump Head Assembly (includes 15-19)
4	182068	Throttle Cable Assembly	*	682075	Shoulder Strap Assembly
5	145819	D-Handle Assembly	*	182780	Arnold 2-Cycle Oil
6	181587	D-Handle Hardware	*	not shown	
7	181893	Drive Shaft Housing Assembly			
8	153597	Lower Clamp Assembly			
9	682064	Flexible Drive Shaft			
10	180531	Shield Mounting Screw			
11	181784	Bushing Housing Assembly with Spool Shaft			
12	145569	Anti-Rotation Screw			
13	683274	Shield and Blade Assembly (includes 14)			
14	682061	Blade Assembly			
15	153619	Outer Spool and Eyelet Assembly (includes 16)			
16	610660	Retainer			
17	610317	Spring			
18	610318	Inner Reel			
19	153066	Bump Head Knob Assembly			