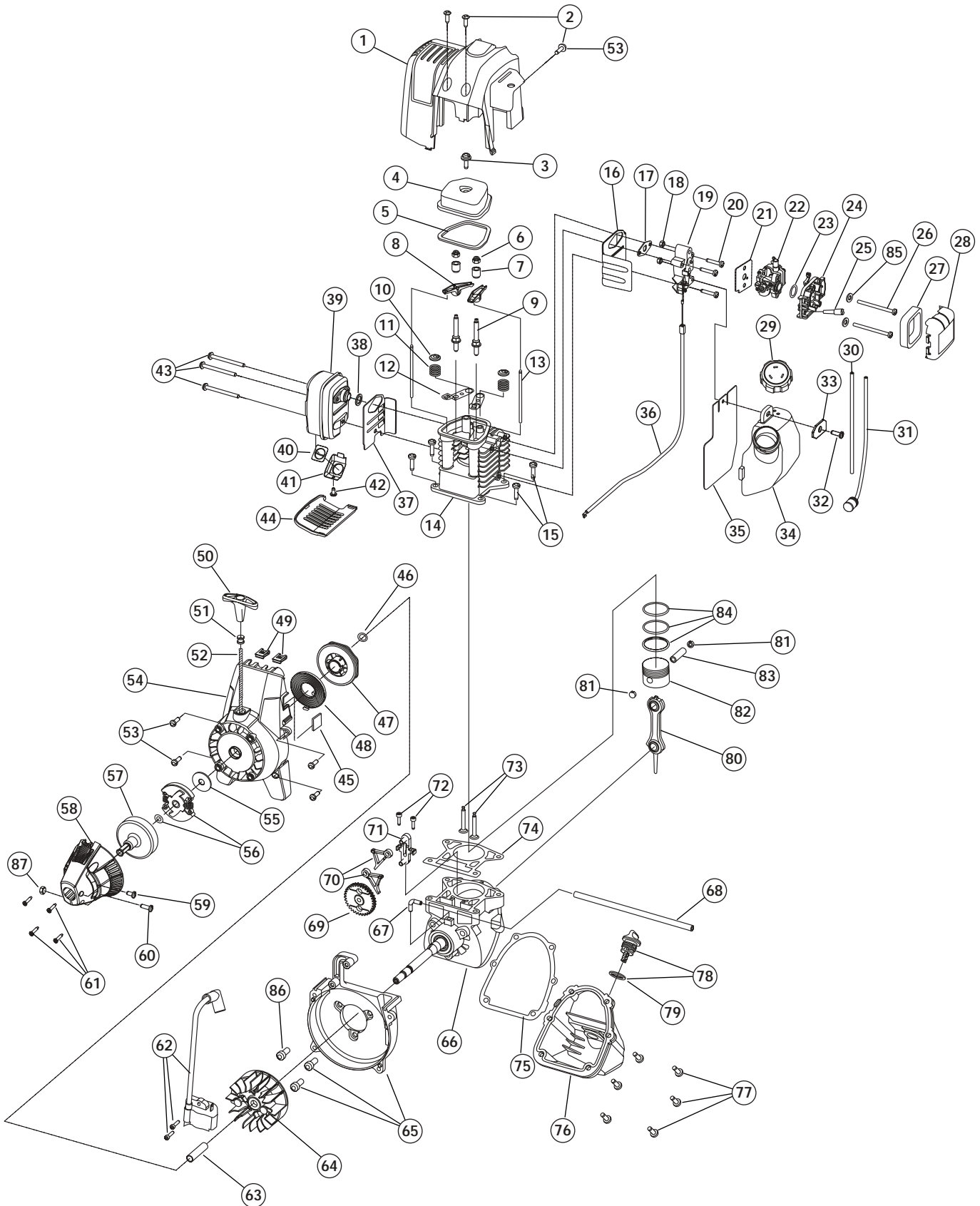


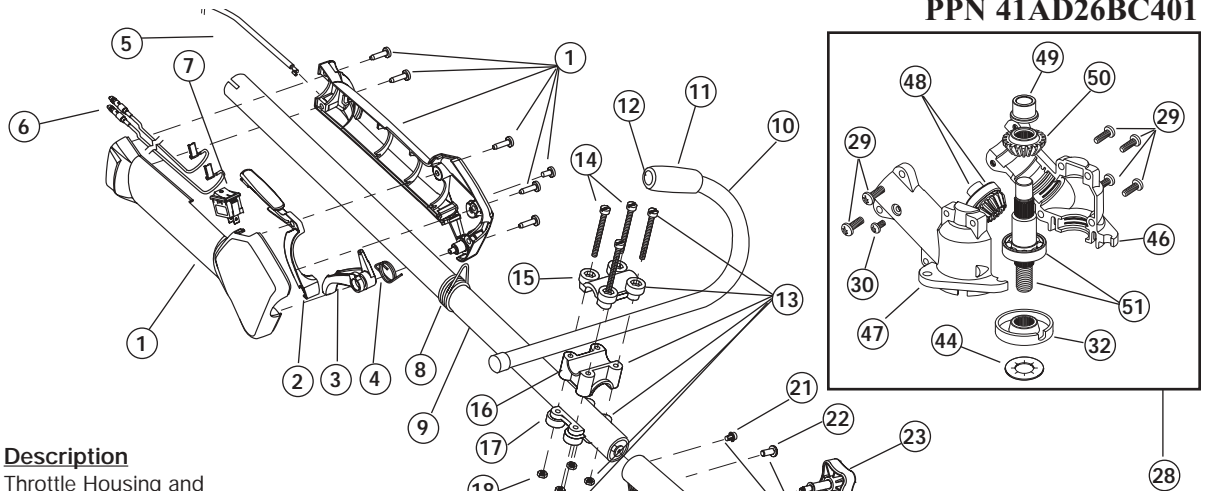
ENGINE PARTS - MODEL YM26BC
4-CYCLE GAS TRIMMER
PPN 41AD26BC401



ENGINE PARTS - MODEL YM26BC
4-CYCLE GAS TRIMMER
PPN 41AD26BC401

<u>Item</u>	<u>Part No.</u>	<u>Description</u>	<u>Item</u>	<u>Part No.</u>	<u>Description</u>
1	753-1222	Engine Cover	46	791-181247	Pulley Retainer
2	791-182339	Engine Cover Screws	47	753-1199	Recoil Pulley
3	791-181025	Valve Cover Screw	48	753-04286	Recoil Spring
4	791-182098	Valve Cover	49	791-182366	Nut Clip
5	791-182099	Valve Cover Gasket	50	791-181079	Pull Handle
6	791-182340	Rocker Adjustment Nut	51	791-611061	Rope Guide
7	791-182101	Rocker Arm Pivot	52	791-613103	Rope
8	791-182100	Rocker Arm	53	791-181020	Starter Housing Screw
9	791-182341	Rocker Arm Stud	54	753-04127	Starter Housing Assembly (includes 47-53)
10	791-182103	Valve Spring Retainer	55	791-182368	Clutch Washer
11	791-181038	Valve Spring	56	753-1238	Clutch with Spacer
12	791-182102	Push Rod Guide	57	791-153592	Clutch Drum
13	791-181033	Push Rod	58	753-1239	Clutch Cover
14	791-182653	Cylinder Head	59	791-145569	Anti-Rotation Screw
15	791-182344	Cylinder Screw	60	753-1240	Screw
16	753-1226	Intake Baffle	61	791-181345	Clutch Cover Screw
17	791-182749	Carburetor Mount Gasket	62	791-182725	Ignition Module with Screws
18	791-181034	Nut	63	791-181065	Spacer
19	791-182347	Carburetor Mount (includes 20)	64	791-182736	Flywheel
20	791-182348	Carburetor Mount Screw	65	791-182743	Shroud Assembly w/Screws
21	791-182732	Carburetor Gasket	66	791-182376	Crankcase Assembly
22	753-1225	Carburetor with Primer	67	791-182375	90° Elbow
23	791-181751	O-Ring, Carburetor	68	791-182379	Breather Hose
24	791-182350	Air Filter Assembly (includes 27 & 28)	69	791-181015	Cam Gear
25	791-182097	Breather Tube	70	753-1242	Cam Follower
26	791-181750	Air Filter Mounting Screw	71	791-181013	Cam Bracket
27	791-181757	Air Filter	72	791-181012	Cam Bracket Screw
28	791-182351	Air Filter Cover	73	791-181040	Valves, Intake and Exhaust
29	791-182271	Fuel Cap	74	791-182374	Cylinder Gasket
30	791-182352	Fuel Return Line	75	791-181018	Oil Pan Gasket
31	791-182353	Fuel Pick-Up Line with Filter	76	791-182377	Oil Pan (includes 75 & 77)
32	791-181080	Screw	77	791-181020	Oil Pan Screw
33	791-182354	Washer	78	791-182378	Dipstick Assembly
34	791-182355	Fuel Tank Assembly	79	791-182290	O-Ring
35	791-182356	Fuel Tank Shield	80	791-181009	Connecting Rod
36	753-1231	Throttle Cable	81	791-181008	Wrist Pin Button
37	753-1232	Muffler Baffle	82	753-1243	Piston
38	791-181048	Muffler Gasket	83	791-181006	Wrist Pin
39	791-182359	Muffler	84	791-181005	Piston Ring Set
40	791-180890	Spark Arrestor Screen	85	791-182409	Washer
41	791-181045	Screen Cover	86	791-181861	Screw
42	791-181046	Screw	87	753-04092	Nut
43	791-182361	Muffler Mounting Screw	*	791-180852B	Spark Plug
44	753-04092	Muffler Cover	*	753-04087	Short Block Assembly (includes 3-15, 67-85)
45	791-182537	Grommet	*	791-182745	Cylinder Assembly
			*	791-180142	Starter Pawl Repair Kit
			*	753-04014	Carburetor Repair Kit
			*		Parts not shown

BOOM AND TRIMMER PARTS - MODEL YM26BC 4-CYCLE GAS TRIMMER PPN 41AD26BC401



Item	Part No.	Description
1	753-04339	Throttle Housing and Trigger Assembly (includes 2-4)
2	753-04340	Throttle Trigger Lock-Out
3	791-00058	Throttle Trigger
4	791-182690	Throttle Trigger Spring
5	753-1231	Throttle Cable Assembly
6	791-182804	Lead Wire Assembly
7	791-182805	Switch Assembly (includes 6)
8	791-610327	Harness Clip
9	753-1247	Upper Drive Shaft Housing Assembly
10	791-181099	J-Handle Assembly (includes 11 & 12)
11	791-612831	Grip
12	791-612021	Tube Closure
13	791-683295	Handle Bracket Assembly (includes 14-19)
14	791-181811	Screw
15	791-181812	Upper Handle Clamp
16	791-181813	Middle Handle Clamp
17	791-181814	Lower Handle Clamp
18	791-181815	Nut
19	791-145569	Anti-Rotation Screw
20	791-182928	Click-Link Coupler (includes 21-24)
21	791-182057	Screw
22	791-181617	Bolt
23	791-181618B	Adjustment Knob
24	791-181886	Knob Retaining Nut
25	791-182541	Lower Drive Shaft Housing Assembly
26	791-613300	Lower Flexible Drive Shaft
27	791-182200	Shield Mount Screw Assembly
28	791-182193	2 piece Gearbox Assembly (includes 29 & 30)
29	791-182195	Gearbox Mounting Hardware
30	791-145569	Anti-Rotation Screw
31	791-147492	Blade Shield/Shield Mount
32	791-182196	Blade Driver
33	791-683304	Shield Mounting Screw
34	791-683299	Shield and Blade Assembly (includes 34)
35	791-682061	Blade Assembly
36	791-147490	Retaining Washer
37	791-612483	Spool Shaft
38	791-683301	Outer Spool and Eyelet Assembly
39	791-612026	Retainer
40	791-610636B	Spring
41	791-147495	Inner Reel
42	791-180814B	Bump Head Knob Assembly
43	791-145873B	4-Tooth Blade
44	753-04348	Retainer
45	791-181699	Nut
*	791-180014B	Blade Retaining Kit (includes 36 & 45)
*	791-613226	Locking Rod Tool
*	791-682075	Shoulder Harness

2 Piece Gearbox Assembly Parts - Item 27

46	791-182191	Left Housing
47	791-182192	Right Housing
48	791-182194	Pinion Gear Assembly
49	791-182199	Output Shaft Bushing
50	791-182198	Output Shaft Gear
51	791-182197	Output Shaft Assembly (includes 48 & 49)