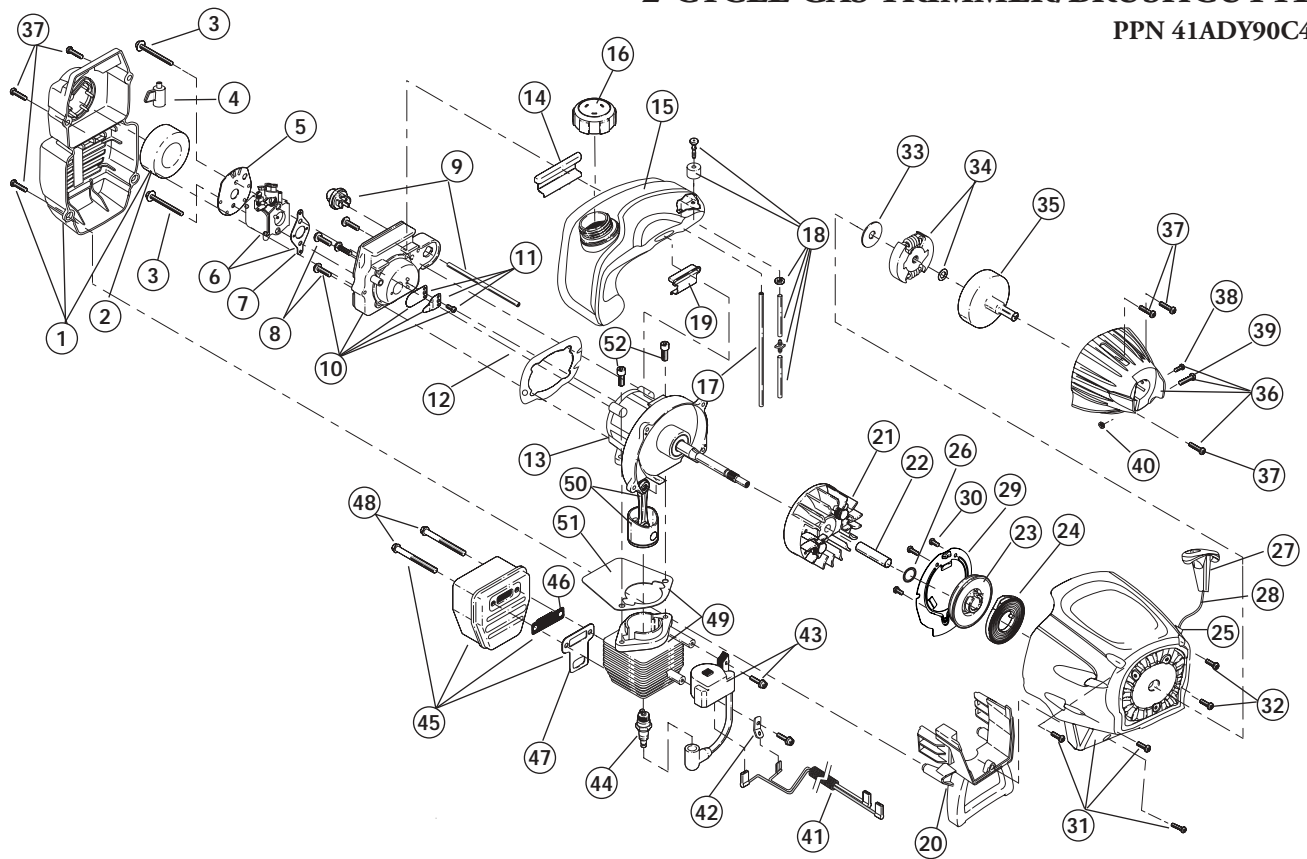


# ENGINE PARTS - MODEL YM90 2-CYCLE GAS TRIMMER/BUSHCUTTER

PPN 41ADY90C401

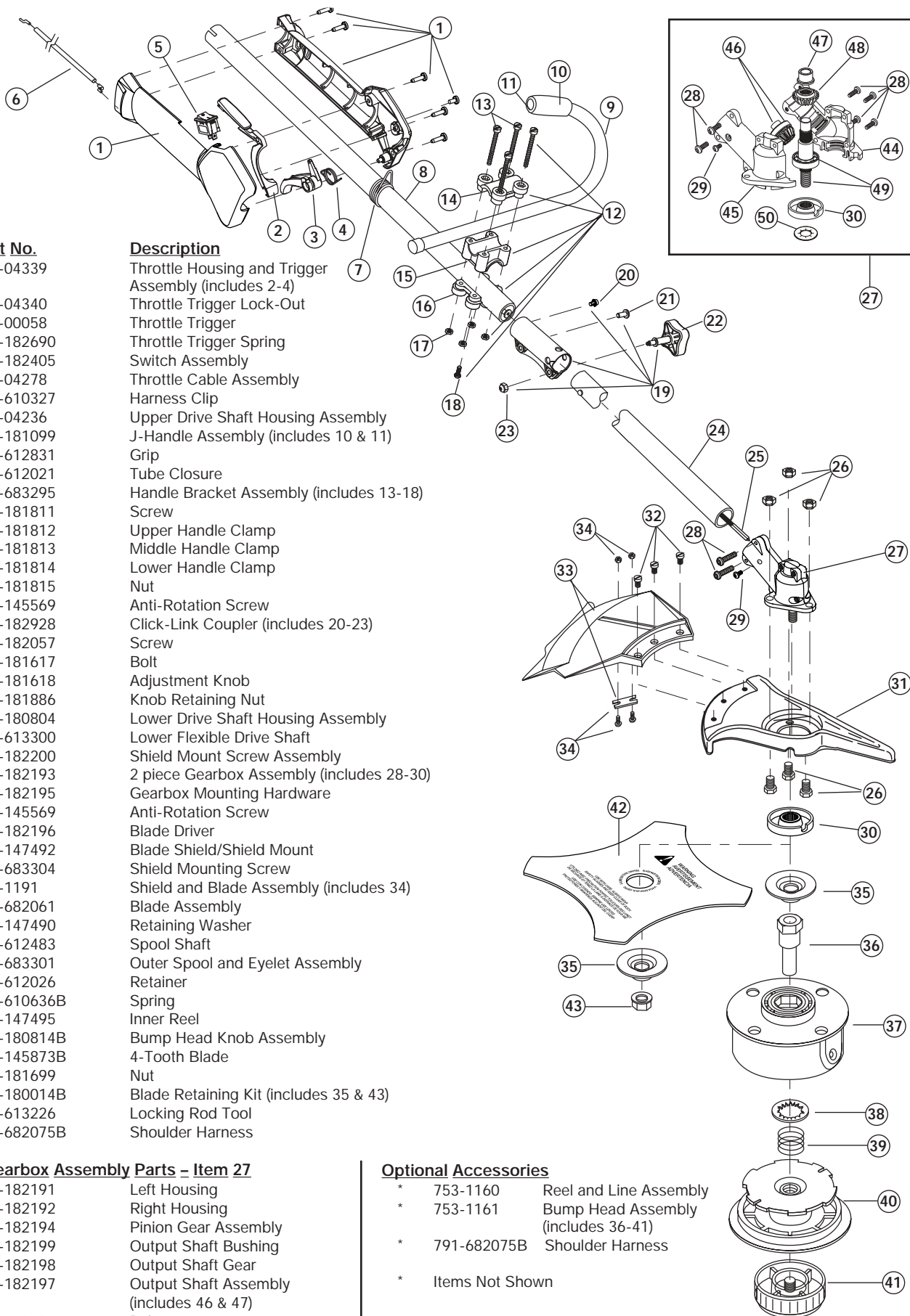


Item	Part No.	Description	Item	Part No.	Description
1	753-1192	Air Cleaner/Muffler Cover Assembly (includes 2 & 41)	31	753-04335	Starter Housing Assembly (includes 23-30 & 32)
2	791-180350B	Air Cleaner Filter	32	791-181862	Housing Screw
3	791-180351	Carburetor Mounting Screw Assembly	33	791-182368	Clutch Washer
4	753-04227	Choke Extension	34	791-182369	Clutch Rotor Assembly
5	753-1194	Choke Plate	35	791-153592	Clutch Drum Assembly
6	753-04338	Carburetor Assembly (includes 7 & 18)	36	753-1204	Clutch Cover Assembly (includes 41-44)
7	791-610675	Carburetor Gasket	37	791-181345	Cover Screw
8	791-181860	Carb Mount Screw	38	791-182519	Anti-Rotation Screw
9	791-181558	Primer and Hose Assembly	39	753-04003	Clamping Screw
10	791-182063	Carb Mount Assembly (includes 8 & 11)	40	791-180217	Clamping Nut
11	791-684451	Reed Assembly	41	791-182798	Wire Leads and Sleeve
12	753-1208	Carburetor Mount Gasket	42	791-611063	Ground Tab
13	753-04332	Crank Case Service Assembly (includes 10)	43	753-04337	Module Assembly
14	791-612134	Rear Mounting Pad	44	791-610311B	Spark Plug
15	753-04307	Fuel Tank Assembly (includes 16-18)	45	791-182066	Muffler Assembly (includes 47-49)
16	791-182612	Fuel Cap Assembly	46	791-182747	Spark Arrestor Screen
17	791-181168	Fuel Return Line	47	753-04159	Exhaust Gasket
18	753-04233	Fuel Line Assembly	48	791-147575	Muffler Mounting Bolt Assembly
19	791-145308	Front Mounting Pad	49	753-04323	Cylinder Assembly (includes 52)
20	791-182064	Shroud Extension and Stand	50	753-1207	Piston and Rod Assembly
21	791-182736	Flywheel Assembly	51	753-1197	Cylinder Gasket
22	791-181065	Spacer	52	791-182723	Cylinder Bolt
23	753-1199	Recoil Pulley Assembly	*	791-180090	O.E.M. Carburetor Repair Kit (Zama)
24	753-04286	Recoil Spring	*	791-180091	Gasket Diaphragm Repair Kit (Zama)
25	753-1200	Rope Guide	*	753-1209	Piston Ring Set
26	753-04288	Pulley Retainer	*	753-04334	Short Block Assembly (includes 8, 12, 14, 22, 48, 51-56)
27	791-181079	Pull Handle	*	791-181599	Clutch Springs (Qty. 2)
28	791-613103	Rope	*	753-04134	Eng Gasket Kit
29	753-1201	Pressure Plate Assembly			
30	7531202	Plate Screw			
			*		Items Not Shown

# BOOM AND TRIMMER PARTS - MODEL YM90

## 2-CYCLE GAS TRIMMER/BUSHCUTTER

PPN 41ADY90C401



Item	Part No.	Description
1	753-04339	Throttle Housing and Trigger Assembly (includes 2-4)
2	753-04340	Throttle Trigger Lock-Out
3	791-00058	Throttle Trigger
4	791-182690	Throttle Trigger Spring
5	791-182405	Switch Assembly
6	753-04278	Throttle Cable Assembly
7	791-610327	Harness Clip
8	753-04236	Upper Drive Shaft Housing Assembly
9	791-181099	J-Handle Assembly (includes 10 & 11)
10	791-612831	Grip
11	791-612021	Tube Closure
12	791-683295	Handle Bracket Assembly (includes 13-18)
13	791-181811	Screw
14	791-181812	Upper Handle Clamp
15	791-181813	Middle Handle Clamp
16	791-181814	Lower Handle Clamp
17	791-181815	Nut
18	791-145569	Anti-Rotation Screw
19	791-182928	Click-Link Coupler (includes 20-23)
20	791-182057	Screw
21	791-181617	Bolt
22	791-181618	Adjustment Knob
23	791-181886	Knob Retaining Nut
24	791-180804	Lower Drive Shaft Housing Assembly
25	791-613300	Lower Flexible Drive Shaft
26	791-182200	Shield Mount Screw Assembly
27	791-182193	2 piece Gearbox Assembly (includes 28-30)
28	791-182195	Gearbox Mounting Hardware
29	791-145569	Anti-Rotation Screw
30	791-182196	Blade Driver
31	791-147492	Blade Shield/Shield Mount
32	791-683304	Shield Mounting Screw
33	753-1191	Shield and Blade Assembly (includes 34)
34	791-682061	Blade Assembly
35	791-147490	Retaining Washer
36	791-612483	Spool Shaft
37	791-683301	Outer Spool and Eyelet Assembly
38	791-612026	Retainer
39	791-610636B	Spring
40	791-147495	Inner Reel
41	791-180814B	Bump Head Knob Assembly
42	791-145873B	4-Tooth Blade
43	791-181699	Nut
*	791-180014B	Blade Retaining Kit (includes 35 & 43)
*	791-613226	Locking Rod Tool
*	791-682075B	Shoulder Harness

### 2 Piece Gearbox Assembly Parts - Item 27

44	791-182191	Left Housing
45	791-182192	Right Housing
46	791-182194	Pinion Gear Assembly
47	791-182199	Output Shaft Bushing
48	791-182198	Output Shaft Gear
49	791-182197	Output Shaft Assembly (includes 46 & 47)
50	753-04348	Palnut

### Optional Accessories

*	753-1160	Reel and Line Assembly
*	753-1161	Bump Head Assembly (includes 36-41)
*	791-682075B	Shoulder Harness
*	Items Not Shown	