

100200 to 100299

Illustrated Parts List

Model Series

100200 to 100299

TYPE NUMBERS
0010 through 0070
0110 through 0597
401000 through 401180

TO FIND

THE CORRECT NUMBER OF THE PART YOU NEED:

FOLLOW THE INSTRUCTIONS BELOW

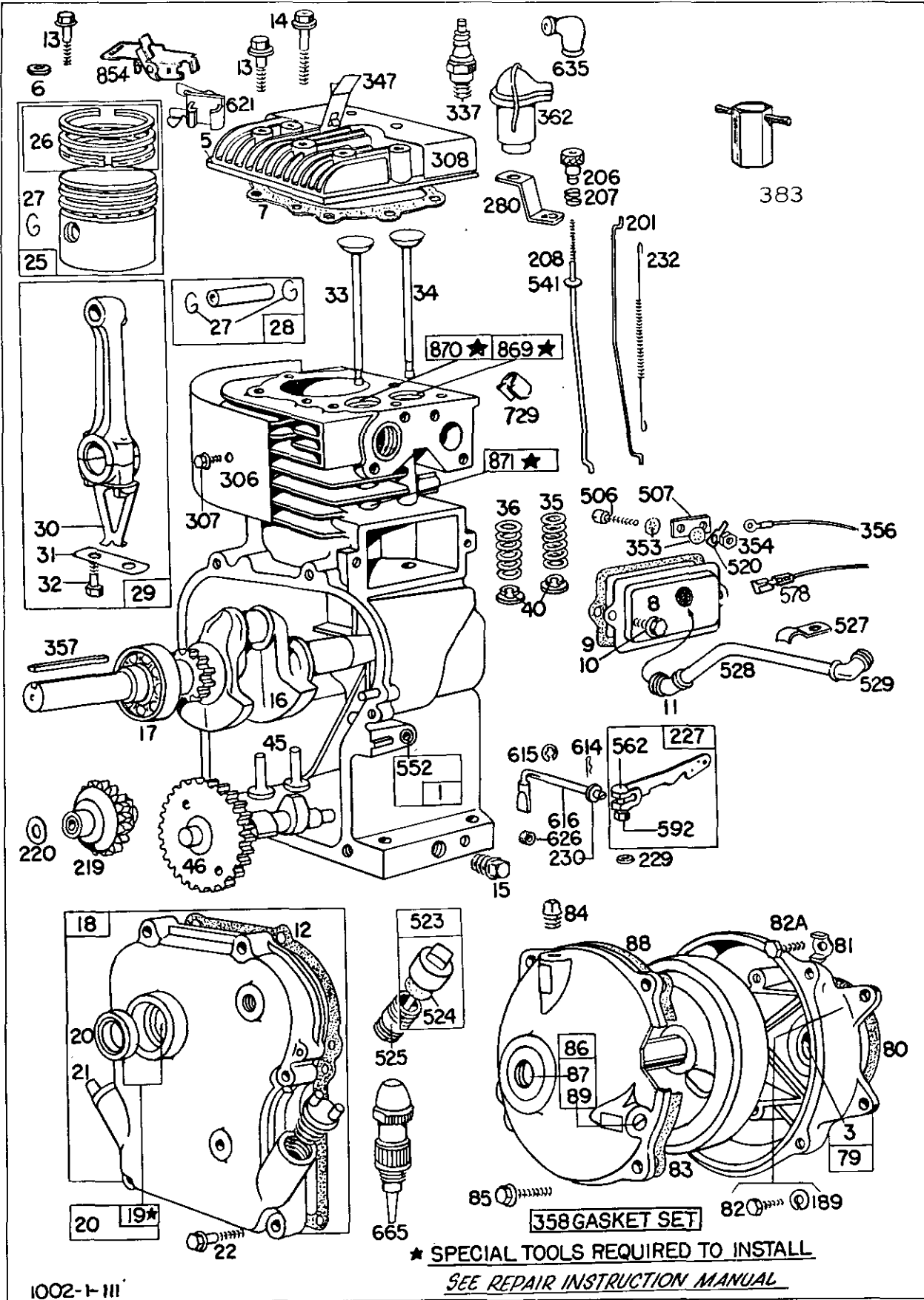
- A. Refer to Engine Model, Type and Code Number that is stamped on the blower housing of engine. Engine type numbers such as 012301 are listed herein only as 0123. The two digits (01 or 02, etc.) to the right of the space are not needed for parts identification. Then use the Illustrated Parts List covering the Model Series.
- B. Refer to Illustrated Parts section and compare the old part with illustration. The number on the illustration is the Reference Number. Assemblies include all parts shown in frames. All parts shown in assembly frames on which individual reference numbers are given can be purchased separately.
- C. After the Reference Number has been identified, refer to the Numerical Parts List, where Reference and Master Part Number are listed. **THE MASTER PART IS USED ON ALL TYPE NUMBERS EXCEPT THOSE TYPE NUMBERS UNDER "NOTE"**.
- D. If a "Note" appears below the Master Part Number, this means that this part differs from the Master Part for certain types. If the Type number is listed under "Note", order the part referred to.
- E. If the Engine Type Number does not appear after any part number listed under "Note", use the Master Part Number.
- F. For Type Numbers higher than those covered by this book, please refer to the factory if you are unable to identify the part by comparison.

PRINTED IN U.S.A.

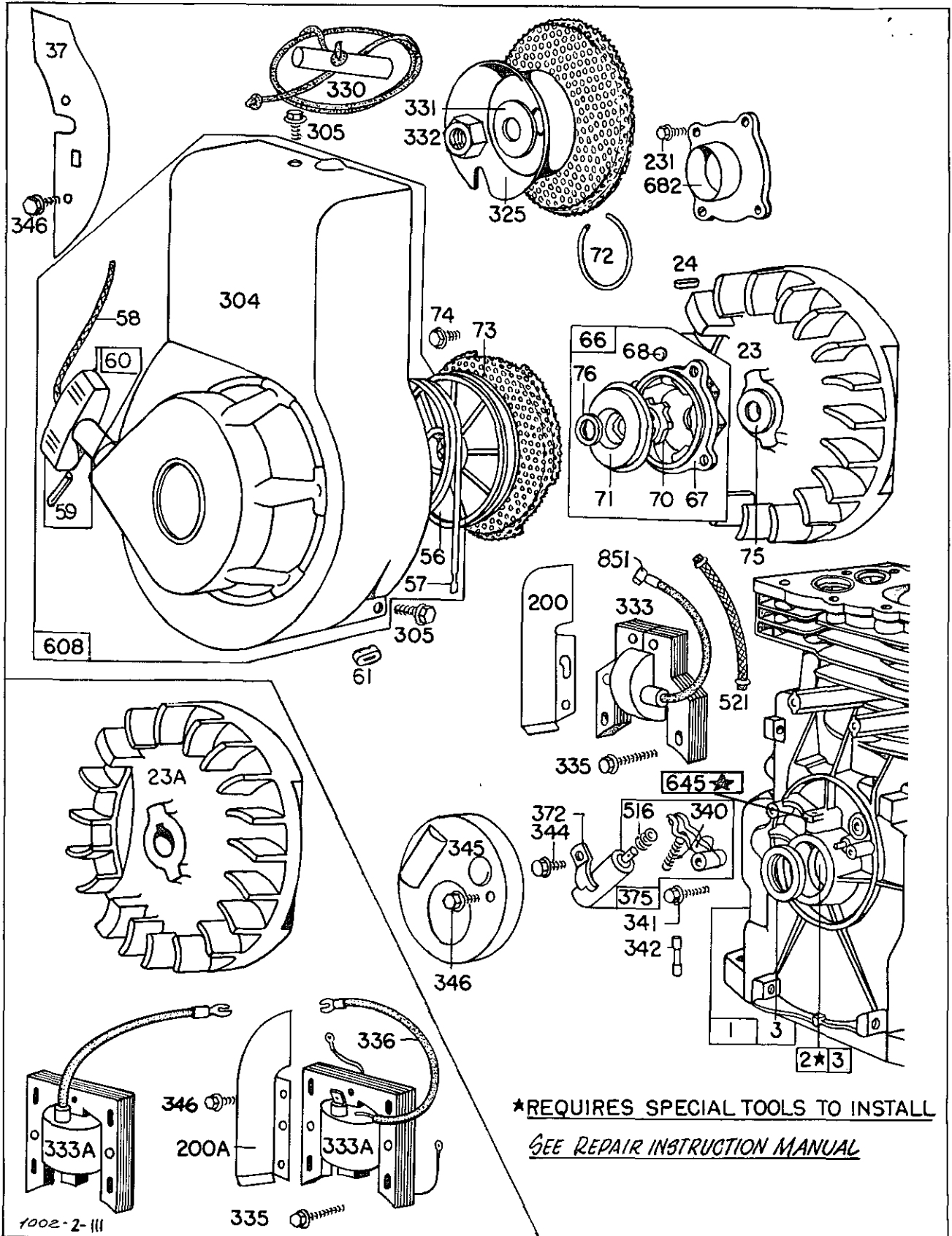
COPYRIGHT ©



100200 to 100299



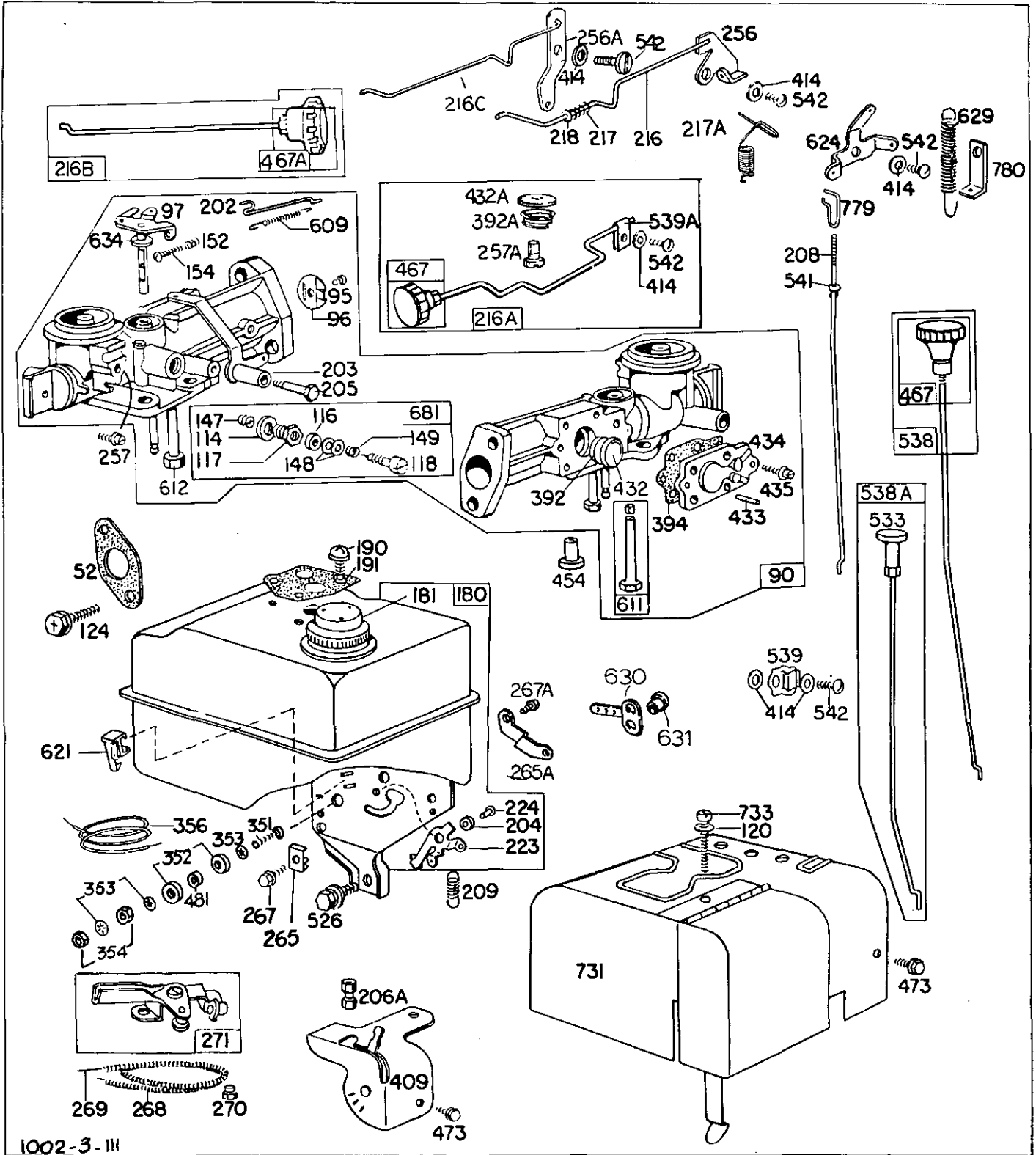
Assemblies include all parts shown in frames.



***REQUIRES SPECIAL TOOLS TO INSTALL**
SEE REPAIR INSTRUCTION MANUAL

Assemblies include all parts shown in frames.

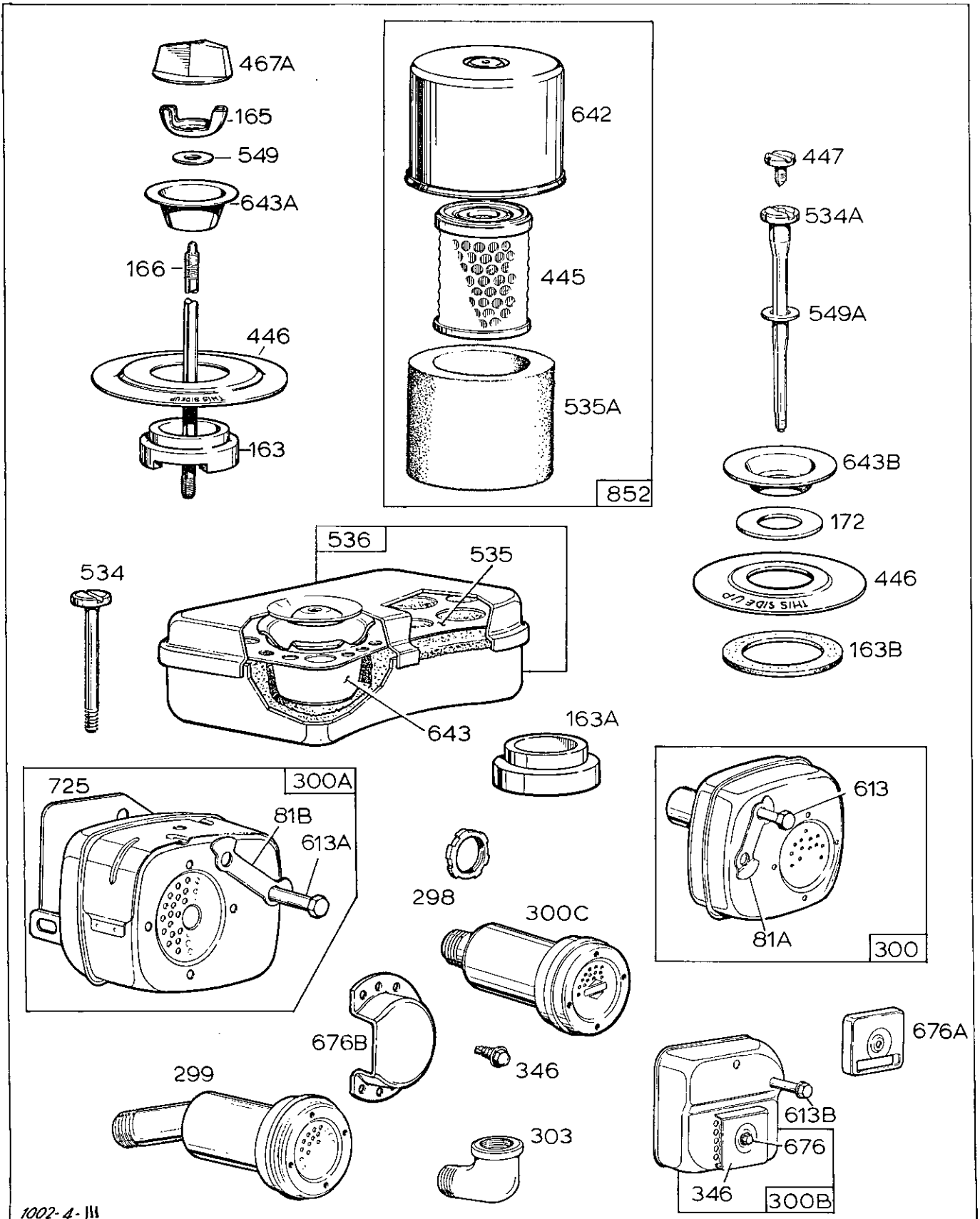
100200 to 100299



1002-3-III

Assemblies include all parts shown in frames.

100200 to 100299



1002-4-III

Assemblies include all parts shown in frames.

100200 to 100299

REF. NO.	PART NO.	DESCRIPTION	REF. NO.	PART NO.	DESCRIPTION	REF. NO.	PART NO.	DESCRIPTION		
1	397412	Cylinder Assembly (Includes Piston, Rings and Connecting Rod Assembly)	16	260719	Crankshaft		260727	Crankshaft		
2	297565	Bushing—Cylinder		Note: 260721	Crankshaft			Used on Type Nos.		
	Note:	Requires special tools for installation.			Used on Type Nos.			0038, 0115, 0163, 0190, 0196, 0201, 0205, 0207, 0217, 0223, 0227, 0248, 0256, 0266, 0276, 0296, 0302, 0304, 0314, 0343, 0345, 0361, 0362, 0369, 0370, 0372, 0394, 0404, 0405, 0436, 0437, 0440, 0454, 0456, 0471, 0491, 0492, 0501, 0506, 0514, 0518, 0531, 0532, 0537, 0547, 0548, 0582, 0587, 401016, 401102.		
3	299819	Seal—Oil		0049, 0116, 0131, 0132, 0136, 0156, 0160, 0170, 0176, 0185, 0194, 0210, 0224, 0230, 0236, 0242, 0253, 0259, 0260, 0261, 0262, 0268, 0273, 0293, 0298, 0307, 0308, 0311, 0317, 0319, 0335, 0336, 0338, 0344, 0356, 0373, 0377, 0379, 0387, 0402, 0419, 0430, 0435, 0442, 0452, 0468, 0495, 0508, 0525, 0526, 0535, 0552, 0555, 0560, 0562, 0567, 0571, 0585, 401017, 401103, 401111, 401113, 401114, 401115.			260928	Crankshaft		Used on Type Nos.
5	211542	Head—Cylinder						0036, 0113, 0124, 0137, 0149, 0168, 0172, 0184, 0191, 0193, 0197, 0208, 0213, 0222, 0250, 0252, 0254, 0257, 0264, 0272, 0277, 0284, 0286, 0294, 0295, 0297, 0300, 0305, 0306, 0309, 0318, 0320, 0321, 0323, 0329, 0331, 0348, 0351, 0352, 0355, 0367, 0376, 0378, 0380, 0388, 0391, 0393, 0398, 0406, 0407, 0409, 0418, 0420, 0424, 0427, 0429, 0441, 0443, 0447, 0449, 0450, 0451, 0458, 0459, 0462, 0469, 0470, 0479, 0480, 0481, 0482, 0484, 0486, 0490, 0493, 0494, 0497, 0500, 0502, 0503, 0510, 0511, 0512, 0513, 0516, 0517, 0519, 0520, 0534, 0542, 0550, 0556, 0559, 0561, 0564, 0586, 0591, 0594, 401014, 401100.		
6	22963	Washer								
7	*270383	Gasket—Cylinder Head								
8	294178	Breather—Valve Chamber								
9	* 27549	Gasket—Valve Cover								
10	93394	Screw—Breather Mounting Sem								
11	66578	Grommet—Breather Tube								
12	*270080	Gasket—Crankcase— .015" thick (Standard)								
	270125	Gasket—Crankcase— .005" thick								
	270126	Gasket—Crankcase— .009" thick								
13	93368	Screw—Cylinder Head (2-3/32" long)								
	Note:	93583 Stud—Cylinder Head 22963 Washer Used on Type Nos. 0434, 0528, 0532, 0546, 0551, 0565, 0582, 0593.			260724	Crankshaft		Used on Type Nos.		
					0035, 0112, 0182, 0218, 0255, 0337, 0339, 0340, 0346, 0365, 0439, 0529, 0551, 0569, 0570, 0584, 0595, 401013, 401099.					
14	93369	Screw—Cylinder Head (2-15/32" long)								
	Note:	93583 Stud—Cylinder Head 22963 Washer Used on Type Nos. 0434, 0528, 0532, 0551, 0554, 0565, 0582, 0593.			260726	Crankshaft		Used on Type Nos.		
					0037, 0114, 0249, 0251, 0283, 0325, 0353, 0354, 0363, 0384, 0396, 0426, 0455, 0498, 0545, 0566, 0572, 401015, 401101.					
15	91249	Plug—Pipe, 1/4" Std., Square Hd.								
	Note:	93448 Plug—Pipe (Hex. Socket) Used on Type Nos. 0247, 0347, 0499.								

*Included in Gasket Set—
Part No. 297615.

100200 to 100299

REF. NO.	PART NO.	DESCRIPTION	REF. NO.	PART NO.	DESCRIPTION	REF. NO.	PART NO.	DESCRIPTION
		261204 Crankshaft Used on Type Nos. 0444, 0509.			391484 Seal-Oil Used on the Auxiliary P.T.O. Shaft on Type Nos. 0070, 0117, 0126, 0143, 0154, 0177, 0216, 0235, 0245, 0364, 0366, 0368, 0408, 0444, 0485, 0507, 0540, 401092.			MODEL 100200 SERIES PISTON RING SETS: Note: For Chrome Piston Ring Set—Standard Size—order Part No. 298744 (Available only for Engines after Code No. 6306141). The following Piston Ring Sets are used after Code No. 6306141: 26 298174 Ring Set—Std. Piston 298175 Ring Set—.010" O.S. Piston 298176 Ring Set—.020" O.S. Piston 298177 Ring Set—.030" O.S. Piston The following Piston Ring Sets are used before Code No. 6306171: 297575 Ring Set—Std. Piston 297576 Ring Set—.010" O.S. Piston 297577 Ring Set—.020" O.S. Piston 297578 Ring Set—.030" O.S. Piston 27 260645 Lock—Piston Pin 28 297581 Pin Assy.—Piston—Standard 297582 Pin Assy.—Piston—.005" O.S. 29 297569 Rod Assy.—Connecting Note: For Connecting Rod with .020" undersize Crankpin Bore—order No. 298786. 30 221786 Dipper—Connecting Rod Used after Code No. 6503231. Note: 221507 Dipper—Connecting Rod Used before Code No. 6503241.
		261398 Crankshaft Used on Type Nos. 0541, 0565, 0583, 0593, 0596.			392741 Oil Seal and Spacer Used on Type Nos. 0541, 0565, 0583 0593, 0596.			
17	99158	Bearing—Ball	21	66768	Plug—Oil Filler			
18	297602	Cover Assy.— Crankcase Used on Model Series 100201, 100202.	22	93032	Screw—Crankcase Cover Mounting Sem			
		Note: 298183 Cover Assy.— Crankcase Used on Model Series 100292.			Note: 93656 Stud			
		298204 Cover Assy.— Crankcase Used on Model Series 100231, 100232.			90832 Washer—Lock Used to mount Crankcase Cover on Type Nos. 0408, 0444, 0463, 0466, 0521, 0549.			
		298517 Cover Assy.— Crankcase Used on Model Series 100212, 100251, 100252, except as listed under Note.	23	297229	Flywheel Assembly (Used after Code No. 6308231.)			
		Note: 392778 Cover Assy.— Crankcase Used on Type Nos. 0541, 0565, 0583, 0593, 0596.			Note: 211424 Pulley—V-Belt Uses: 68428 Belt—Vee Used between flywheel and Starter Clutch on Type No. 0221.			
19	297603	Bushing—Crankcase Cover	23A	297348	Flywheel Assembly (Used before Code No. 6308261.)			
		Note: Requires special tools for installation.	24	61760	Key—Flywheel			
20	294606	Seal—Oil	25	298168	Piston Assembly—Std.			
		Note: 393812 Seal—Oil Used on Model 100231, 100232 Series Engines. 298504 Oil Seal and Spacer Used on Type Nos. 0211, 0269, 0279, 0303, 0341, 0357, 0382, 0385, 0386, 0389, 0401, 0403, 0410, 0415, 0445, 0446, 0464, 0475, 0483, 0489, 0522, 0523, 0589.			298169 Piston Assembly— .010" O.S. 298170 Piston Assembly— .020" O.S. 298171 Piston Assembly— .030" O.S.			

100200 to 100299

REF. NO.	PART NO.	DESCRIPTION	REF. NO.	PART NO.	DESCRIPTION	REF. NO.	PART NO.	DESCRIPTION
31	221741	Lock—Connecting Rod Screw Used after Code No. 6503231. Note: 221451 Lock—Connecting Rod Screw Used before Code No. 6503241.	40	93312	Retainer—Valve Spring Used with valves with groove in stem. Note: 23184 Retainer—Intake Valve 23187 Pin—Intake Valve Retainer Used with valves with hole in stem except those with rotocap (as follows:) 292259 Rotocap—Exhaust Valve 230126 Pin—Exhaust Valve Rotocap Retainer 230127 Retainer—Exhaust Valve Rotocap Used on Type Nos. 0038, 0124, 0248, 0256, 0258, 0266, 0267, 0276, 0302, 0315, 0337, 0345, 0346, 0361, 0418, 0426, 0437, 0454, 0471, 0490, 0491, 0498, 0506, 0514, 0516, 0531.	211424		Pulley—V-Belt 68428 Belt—Vee Used on Type No. 0221.
32	93450	Screw—Connecting Rod Used after Code No. 6503231. Note: 91162 Screw—Connecting Rod Used before Code No. 6503241.	45	260642	Tappet—Valve	57	294303	Spring—Rewind Starter Note: 221014 Anchor—Spring To Starter Housing Used on Type No. 0221.
33	211119	Valve—Exhaust Note: 260860 Valve—Exhaust Used on Type Nos. 0038, 0124, 0248, 0256, 0258, 0266, 0267, 0276, 0302, 0315, 0337, 0345, 0346, 0361, 0418, 0426, 0437, 0454, 0471, 0490, 0491, 0498, 0506, 0514, 0516, 0531, 0593.	46	211117	Gear—Cam Note: 211284 Gear—Cam Used on Type Nos. 0070, 0117, 0126, 0143, 0154, 0177, 0216, 0235, 0245, 0364, 0366, 0368, 0408, 0444, 0485, 0507, 0521, 0536, 0540, 0544, 401092.	58	66694	Rope—Rewind Starter—47-1/8" long Used after Code No. 6507211. Note: 395022 Rope—Rewind Starter—47-1/8" long Used before Code No. 6507221. If longer rope is needed order No. 66684 (used after Code No. 6507211) or No. 66514 (used before Code No. 6507221) and cut to required length.
34	261044	Valve—Intake Used after Code No. 6911261. Note: 260961 Valve—Intake Used before Code No. 6912011.	52	* 27355	Gasket—Carburetor Mounting (2)	59	230228	Pin—Starter Grip
35	260552	Spring—Intake Valve	56	280117	Pulley—Rewind Starter Used after Code No. 6507211. Note: 294088 Pulley—Rewind Starter Used before Code No. 6507221. 295871 Pulley—Rewind Starter	60	393152	Grip—Starter Rope
36	26478	Spring—Exhaust Valve Note: 26826 Spring—Exhaust Valve Used on Type Nos. 0038, 0124, 0248, 0256, 0258, 0266, 0267, 0276, 0302, 0315, 0337, 0345, 0346, 0361, 0418, 0426, 0437, 0454, 0471, 0490, 0491, 0498, 0506, 0514, 0516, 0531.				61	68618	Bumper—Starter Pulley (Used only with Steel Pulley) Note: 68848 Bumper—Starter Pulley Uses: 93254 Screw—Mtg. Used on Type No. 0221.
37	222443	Guard—Flywheel				66	298310	Clutch Assembly—Rewind Starter Used after Code No. 6405220.

*Included in Gasket Set—
Part No. 297615.

100200 to 100299

REF. NO.	PART NO.	DESCRIPTION	REF. NO.	PART NO.	DESCRIPTION	REF. NO.	PART NO.	DESCRIPTION
		<p>Note: 298798 Clutch Assy.—Rewind Starter</p> <p>Uses:</p> <p>212132 Housing—Starter Clutch</p> <p>298799 Ratchet—Rewind Starter and</p> <p>66718 Washer—Thrust</p> <p>Used before Code No. 6405250 and on Type Nos. 0170, 0180, 0221, 0224, 0281, 0285, 0287, 0316, 0319, 0328, 0347, 0355, 0356, 0358, 0368, 0373, 0377, 0379, 0386, 0387, 0403, 0407, 0425, 0433, 0434, 0435, 0452, 0528, 0540, 0558, 0560, 0589.</p>			For Other Specials			
			71	221653	Washer—Clutch Ret. Used after Code No. 6405220.	82A	92279	Screw—Cap, Hex. Hd.—5/16-24 x 1-1/2"
					Note: 221301 Washer—Clutch Retainer	83	211293	Shaft & Gear—Drive
					Used before Code No. 6405250.			Note: 211338 Shaft & Gear—Drive
			72	26032	Spring—Clutch Retainer			Used on Type Nos. 0156, 0170, 0356, 0379, 0452, 401111, 401114, 401115.
			73	221661	Screen—Starter Pulley			211663 Shaft & Gear—Drive
					Used after Code No. 6405220.			Used on Type No. 0319.
					Note: 220648 Screen—Starter Pulley			211918 Shaft & Gear—Drive
					Used before Code No. 6405250.			Used on Type No. 0435.
					221748 Screen—Starter Pulley	84	92617	Plug—Breather
					Used on Type No. 0221.	85	92747	Screw—Gear Case Mounting Sem
67	212131	Housing—Starter Clutch	74	93490	Screw—Rotating Screen Mounting Sem	86	291730	Cover Assembly—Gear Case
		Used after Code No. 6405220.	75	220865	Washer—Spring	87	19011	Seal—Oil
		Note: 210400 Housing—Starter Clutch	76	68238	Washer—Ratchet Sealing	88	27313	Gasket—Gear Case Cover
		Used before Code No. 6405250.			Note: 270045 Washer—Ratchet Sealing	89	93448	Plug—Oil Drain
		For Special See Ref. 66			Used with Single Tooth Ratchet on Type Nos. 0125, 0134, 0143, 0151, 0152, 0153, 0156, 0159, 0161, 0170, 0171, 0174, 0180, 0181, 401034, 401049, 401050, 401056, 401057, 401059, 401062, 401064, 401068, 401069, 401070, 401075, 401077, 401110, 401111, 401114, 401115, 401116, 401117, 401118.	90	297599	Carburetor Assembly
68	63770	Ball—Clutch						Note: 297680 Carburetor Assembly
70	298436	Ratchet—Rewind Starter						Used on Type Nos. 0203, 0229, 401021, 401031, 401033, 401053.
		Used after Code No. 6405220.						298547 Carburetor Assembly
		Note: 296597 Ratchet—Rewind Starter						Used on Type Nos. 0016, 0219, 0220, 0221, 0230, 0232, 0233, 0235, 0239, 0240, 0244, 0245, 0246, 0287, 0305, 0308, 0313, 0331, 0332, 0334, 0341, 0348, 0350, 0360, 0366, 0367, 0375, 0383, 0388, 0392, 0393, 0399, 0402, 0408, 0409, 0416, 0430, 0433, 0438, 0446, 0449, 0451, 0478, 0484, 0486, 0496, 0497, 0500, 0523, 0550.
		Used before Code No. 6405250.						
		298799 Ratchet—Rewind Starter	79	290779	Case Assembly—Gear			
		Uses:	80	27667	Gasket—Gear Case			
		66718 Washer, Thrust, Ratchet	81	220234	Lock—Gear Case Mounting Screw			
		230813 Adapter—Ratchet Spring	81A	222929	Lock—Muffler Screw			
		260414 Spring—Ratchet	81B	222263	Lock—Muffler Screw			
		Between Ratchet No. 298799 and Starter Hsg. on Type Nos. 0021, 0589.	82	91541	Screw—Cap, Hex. Hd.—5/16-24 x 7/8"			

100200 to 100299

REF. NO.	PART NO.	DESCRIPTION	REF. NO.	PART NO.	DESCRIPTION	REF. NO.	PART NO.	DESCRIPTION
		390390 Carburetor Assembly Used on Type Nos. 0401, 0403, 0407, 0412, 0414, 0415, 0428, 0445, 0453, 0461, 0473, 0475, 0489.			391422 Tank Assy.—Fuel Used on Type No. 0464.	202	260678	Link—Throttle
		392403 Carburetor Assembly Used on Type No. 0528.	181	392304	Cap—Fuel Tank Note: 293270 Cap—Fuel Tank Used on Type Nos. 0401, 0412, 0413, 0415, 0486.	203	393919	Crank—Bell Note: 297718 Crank—Bell (Used before Code No. 79010500.)
95	93499	Screw—Throttle Valve to Shaft Sem			297863 Cap—Fuel Tank Used on Type Nos. 0134, 0152, 0153, 0156, 0161, 0170, 0174, 0180, 0181, 0216, 0224, 0226, 0228, 0241, 0280, 0285, 0316, 0319, 0328, 0330, 0347, 0355, 0356, 0358, 0368, 0373, 0377, 0379, 0382, 0386, 0387, 0401, 0412, 0413, 0414, 0415, 0425, 0434, 0435, 0449, 0452, 0480, 0540, 0558, 0560, 0589,	204	222962	Bushing—Governor Lever (flat) For Specials See Ref. 223
96	211203	Throttle—Carburetor			0401034, 401052, 401056, 401057, 401062, 401064, 401068, 401069, 401073, 401110, 401111, 401114, 401115.	205	93838	Screw—Shoulder
97	297468	Shaft and Lever—Throttle				206	230149	Nut—Control Rod Note: 394332 Gov. Control Assy. Used on Type Nos. 0308, 0430.
114	66594	Gasket—Needle Valve Nut				206A	280012	Nut—Speed Adjusting Note: 21772 Nut—Governor Adjusting Used on Type No. 0538.
116	65978	Packing—Needle Valve				207	26855	Spring—Control Rod
117	230590	Nut—Needle Valve				208	230737	Rod—Control Note: 230946 Rod—Control Used on Type Nos. 0350, 0360, 0367, 0392, 0409, 0433, 0446, 0449, 0451, 0484, 0486, 0496, 0500, 0546, 0550.
118	23433	Valve—Needle						261297 Rod—Control Used on Type No. 0483.
120	92290	Washer—Lock, No. 10 x 1/16 x 3/64"				209	260695	Spring—Governor Note: 260902 Spring—Gov. Used on Type Nos. 0480, 0512, 0549.
124	93357	Screw—Sem, Phillips Hex. Hd.				216	299859	Link—Choke (includes Bell Crank)
147	230591	Seat—Needle Valve	189	90366	Washer—Lock, 5/16 x 1/8 x 1/16	261A	391899	Rod—Choke
148	22235	Washer—Needle Valve (2)	190	93440	Screw—Fuel Tank Mounting Sem	261B	392405	Rod—Control
149	26336	Spring—Needle Valve	191	* 27911	Gasket—Fuel Tank Mtg. (2)	216C	231093	Link—Choke
152	260575	Spring—Throttle Adjustment	200	221480	Guide—Air (Used after Code No. 6308231.)	217	260189	Spring—Choke Link
154	93527	Screw—Machine, Rd. Hd.—5-40 x 5/8	200A	221508	Guide—Air (Used before Code No. 6308261.)	217A	261331	Spring—Control Rod
163	270488	Gasket—Air Cleaner Mounting				218	221198	Washer—Choke Link
163A	27660	Gasket—Air Cleaner Mounting	201	261558	Link—Governor (Used after Code No. 80060100)	219	391737	Gear—Governor Used after Code No. 75061907. Note: 297656 Gear—Gov. Used before Code No. 75062007.
163B	271139	Gasket—Air Cleaner Mounting			Note: 260661 Link—Governor (Used before Code No. 80060100)	220	221551	Washer—Thrust
165	93856	Wing Nut						
166	231176	Stud—Air Cleaner						
172	271077	Spacer—Air Cleaner						
180	297600	Tank Assembly—Fuel Note: 390160 Tank Assy.—Fuel Used on Type Nos. 0401, 0403, 0407, 0412, 0414, 0415, 0428, 0445, 0453, 0461, 0473, 0475, 0489.						

*Included in Gasket Set—
Part No. 297615.

100200 to 100299

REF. NO.	PART NO.	DESCRIPTION	REF. NO.	PART NO.	DESCRIPTION	REF. NO.	PART NO.	DESCRIPTION	
223	221517	Lever—Gov. Control Note: 23688 Bushing—Gov. Lever (with 3/8" dia. Flange) Used before Code No. 6608031 except on type numbers listed under No. 230943 and 93440 which used 23688 Bushing, 90597 Screw and 260847 Spring until Code No. 6708011. Uses: 93067 Screw—Sem Or: 90597 Screw—Machine, Fil. Hd.—10-32 x 1/2" with 260847 Spring—Friction 230943 Bushing—Gov. Lever (with 1/2" dia. Flange) Uses: 93440 Screw 93569 Washer—Spring Used after Code No. 6707311 on Type Nos. 0132, 0140, 0148, 0155, 0178, 0179, 0193, 0194, 0195, 0214, 0242, 0251, 0252, 0261, 0267, 0279, 0299, 0307, 0316, 0317, 0325, 0328, 0335, 0337, 0346, 0353, 0365, 0381, 0382, 0384, 0386, 0387, 0434, 0452, 0458, 0480, 0493, 0508, 0520, 0540, 0560, 0572, 0591.	227	393920	Lever Assy.—Governor Note: 297601 Lever Assy.—Governor (For 3/16" dia. Gov. Crank) Used before Code No. 75062006.				230944 Guide—Control Rod Used in 221384 Strap on Type Nos. 0015, 0035, 0036, 0037, 0049, 0070, 0308, 0389, 0391, 0430, 0468, 0488, 0513, 0542, 0552. 390341 Strap—Control Rod Used on Type Nos. 0132, 0140, 0148, 0155, 0178, 0179, 0193, 0194, 0195, 0214, 0242, 0251, 0252, 0261, 0267, 0279, 0299, 0307, 0317, 0325, 0335, 0337, 0346, 0353, 0365, 0381, 0382, 0384, 0458, 0493, 0508, 0520, 0572.
			229	220680	Washer—Gov. Lever	298	261409	Locknut—Muffler	
			230	222450	Washer—Gov. Lever (1/4" inside dia.) Note: 221559 Washer—Gov. Lever (3/16" inside dia.)	299	393368	Muffler—Exhaust (Round Lo-Tone) Note: 393010 Muffler—Exhaust Uses 91464 Exhaust Elbow—90° Street Used on Type Nos. 0363, 0459, 0542.	
			231	93064	Screw—Sem	300	393593	Muffler—Exhaust (Lo-Tone) (Includes 270918 Gasket)	
			232	260478	Spring—Governor Link	300A	391313	Muffler—Exhaust Note: 391232 Guard—Muffler Uses: 93415 Screw (Guard and Retainer Mtg.) 93606 Screw (Guard to Muffler Mtg.) 222379 Retainer—Muffler Used on Type Nos. 0503, 0553.	
			256	299859	Crank—Bell (includes Bell Crank Link)	300B	297274	Muffler—Exhaust (Side Outlet) Note: 222291 Guard—Muffler (Mounted to Cylinder Head) Used on Type Nos. 0350, 0378, 0496.	
			256A	222582	Lever—Choke				
			257	93543	Screw—Fil. Hd. Sem				
			257A	90746	Screw—Fil. Hd. Sem				
			265	221535	Clamp—Casing				
			265A	222629	Bracket—Cable Clamp				
			267	93496	Screw—Sem				
			267A	93543	Screw—Sem				
			268	66986	Casing—Control Wire—48" long Note: If longer casing is needed, specify length in inches; if a shorter casing is needed order No. 66986 and cut to required length.				
			269	26099	Wire—Control 54" long Note: If longer wire is needed, specify length in inches; if shorter wire is needed order No. 26099 and cut to required length.				
			270	63426	Locknut—Control Wire Casing				
			271	290568	Lever Assy.—Control				
			280	221384	Strap—Control Rod Note: 394332 Gov. Control Assy. Used in 221384 Strap on Type Nos. 0308, 0430.				
224	93491	Rivet (Used with Flat Bushing 230844 after Code No. 6608021) For Specials See Ref. 223							

100200 to 100299

REF. NO.	PART NO.	DESCRIPTION	REF. NO.	PART NO.	DESCRIPTION	REF. NO.	PART NO.	DESCRIPTION		
	89953	Muffler— Exhaust Used on Type Nos. 0229, 0314, 0352, 0440.			0458, 0460, 0474, 0476, 0478, 0521, 401020, 401022, 401023, 401027, 401030, 401036, 401038, 401044, 401045, 401053, 401057, 401066, 401067, 401081, 401082, 401084, 401090, 401096, 401099, 401100, 401101, 401102, 401103, 401112, 401117, 401118.			297855 Housing— Blower (For Rewind Starter) Used on Type Nos. 0137, 0141, 0155, 0157, 0158, 0159, 0168, 0175, 0191, 0229, 0231, 0236, 0237, 0240, 0242, 0247, 0269, 0281, 0288, 0305, 0310, 0317, 0345, 0346, 0374, 0375, 0390, 0395, 0402, 0412, 0413, 0414, 0415, 0420, 0424, 0437, 0453, 0473, 0475, 0480, 401045, 401048, 401051, 401053, 401058, 401068, 401079, 401087, 401093, 401116.		
	294599	Muffler— Exhaust Used on Type Nos. 0151, 0159, 0164, 0169, 0211, 0219, 0247, 0249, 0251, 0252, 0254, 0274, 0275, 0281, 0287, 0292, 0300, 0303, 0315, 0324, 0325, 0331, 0333, 0334, 0348, 0360, 0367, 0376, 0380, 0395, 0396, 0403, 0405, 0406, 0407, 0409, 0443, 0445, 0455, 401047, 401048, 401051, 401052, 401059, 401062, 401074, 401075, 401097, 401116.			390578 Muffler— Exhaust Used on Type No. 0433.			0420, 0424, 0437, 0453, 0473, 0475, 0480, 401045, 401048, 401051, 401053, 401058, 401068, 401079, 401087, 401093, 401116.		
	297506	Muffler— Exhaust (Direct Outlet) Used on Type Nos. 0035, 0037, 0038, 0126, 0134, 0135, 0136, 0139, 0141, 0142, 0143, 0144, 0145, 0154, 0162, 0174, 0182, 0189, 0195, 0196, 0198, 0201, 0205, 0207, 0210, 0217, 0222, 0225, 0226, 0227, 0228, 0232, 0235, 0237, 0245, 0248, 0256, 0258, 0259, 0266, 0269, 0296, 0302, 0304, 0317, 0322, 0329, 0332, 0345, 0347, 0361, 0362, 0365, 0366, 0370, 0372, 0401, 0404, 0408, 0412, 0414, 0415, 0423, 0425, 0431, 0434, 0438, 0444, 0447,	300C	393010	Muffler—Exhaust (Round Lo-Tone)			298572 Housing— Blower (For Rewind Starter) Uses: 297663 Hsg.—Starter 222060 Spacer—Starter Housing (4) 230581 Nut—Starter Mounting (4) 93414 Bolt—Starter Mounting (4) 92290 Washer—Lock (4) Used on Type No. 0221. 298636 Housing— Blower Used on Type Nos. 0219, 0226, 0308, 0326, 0349, 0383, 0409, 0410, 0430, 0438, 0451, 0467.		
			303	91464	Elbow—Exhaust 90 Degree, Street Note: 91219 Elbow—Exhaust 45 Degree, Street Used on Type Nos. 0300, 0331, 0363, 0382, 0405, 0409, 0443, 0455.			305	93158	Screw—Blower Housing Mounting
			304		Housing—Blower Note: For Type Numbers not listed below, see Ref. No. 608. 297260 Housing— Blower (For Rope Starter) Used on Type Nos. 0110, 0253, 0255, 0256, 0264, 0265, 0268, 0272, 0289, 0290, 0293, 0294, 0297, 0307, 0320, 0321, 0336, 0348, 0376, 0398, 0411, 0421, 0431, 0455, 0458, 0459, 0465, 0479, 0584, 401033.			306	221511	Shield—Cylinder Note: 222583 Shield—Cyl. Used on Type No. 0528.
								307	93042	Screw—Cylinder Shield Mounting Sem
								308	221512	Cover—Cylinder Head

100200 to 100299

REF. NO.	PART NO.	DESCRIPTION	REF. NO.	PART NO.	DESCRIPTION	REF. NO.	PART NO.	DESCRIPTION
325	298731	Starter Pulley with Screen	346	93705	Screw—Hex. Head	409	299837	Lever-Trol—Speed Control
330	395022	Rope—Starter (47")	347	220884	Switch—Stop (For 1-1/2" High—37 - 42 M.M. Spark Plug)	414	220982	Washer
330A	69932	Rope—Starter (55")		Note:	221808	432	221377	Cap—Spring
331	220865	Washer—Flywheel			Switch—Stop (For 2" High— 51 M.M. Spark Plug)	432A	221766	Cap—Choke Spring
332	92284	Nut—Flywheel			298927	433	93265	Pin—Diaphragm Cover
333	298316	Armature—Magneto (Used after Code No. 6308231.)			Switch—Stop (For 2" High Spark Plug) Used on Type Nos. 0361, 0362.	434	210959	Cover—Diaphragm
333A	297594	Armature—Magneto (Used before Code No. 6308261.)	353	92791	Washer—Lock (2)	435	93141	Screw—Diaphragm Cover
335	93414	Screw—Armature Mtg.	354	90576	Nut—Terminal	445	392308	Cartridge—Air Cleaner
336	297250	Cable—Ignition (Used before Code No. 6208220. Cables used after this Code Number are integral with the Ignition Coil.)	355	299500	Wire—Ground Note: 391115	446	222844	Base—Air Cleaner
337	298809	Plug—Spark (with Gasket 1-1/2" High— 37-42 M.M. Note: 29693 Plug—Spark (with Gasket) 2" High—51 M.M. 293918 Plug—Spark (with Gasket) (Resistor Type 1-1/2") 392588 Plug—Spark (with Gasket) (Resistor Type 2" High)			Wire—Ground Used on Type Nos. 0436, 0445, 0457, 0461, 0490, 0526, 0531, 0532, 0539, 0548, 0551, 0558, 0563, 0582, 0588. 392074 Wire—Ground Used on Type No. 0510, 0552, 0589.	447	93913	Screw—Cover Mtg.
340	26018	Spring—Breaker Arm	357	91539	Key	454	296178	Housing—Fuel Pipe Screen (for 3/16" O.D. Pipe)
341	93381	Screw—Breaker Arm Mounting Sem	358	297615	Gasket Set	467	391908	Knob—Choke Rod
342	65704	Plunger—Breaker Point	362	291630	Shield—Spark Plug (with Stop Switch) Note: 89742	467A	212293	Knob—Air Cleaner
344	93042	Screw—Condenser Clamp Mounting Sem			Shield—Spark Plug Used on Type No. 0548.	473	93475	Screw—Sem
345	220366	Cover—Breaker Point and Condenser Note: 222168	372	220477	Clamp—Condenser	506	90200	Screw—Machine, Fil. Hd.—8-32 x 1/2"
		Cover—Breaker Point and Condenser Used on Type Nos. 0180, 0316, 0319, 0328, 0347, 0355, 0356, 0358, 0368, 0377, 0379, 0386, 0387, 0397, 0425, 0434, 0435, 0452, 0528, 0540, 0558, 0560, 0589.	375	294628	Breaker Points and Condenser Set Note: 299061	507	66895	Insulator
					Ignition Kit Includes: 294628 Point Set 65704 Plunger 61760 Key—Flywheel	516	260374	Spring—Connector
			383	89838	Wrench—Spark Plug	520	93722	Terminal—Spade
			392	260455	Spring—Fuel Pump Diaphragm	521	298529	Shielding—Ignition Cable
			392A	260847	Spring—Choke Friction	523	297357	Cap—Oil Filler Note: 295923
			394	270026	Diaphragm			Cap Assy.— Oil Filler Uses: 230553 Nipple— Oil Filler (5-1/4" Lg.)
						524	65304	Gasket Oil Filler Cap
						525	91258	Nipple—Oil Filler (2-1/2" Lg.) Note: (All Nipples Listed Use 394884 Adaptor— Oil Filler) 230553 Nipple— Oil Filler (5-1/4" Lg.)
						526	93343	Screw—Tank Bracket Mounting Sem
						527	221514	Clamp—Breather Tube
						528	230722	Tube—Breather
						529	67838	Grommet—Breather Tube
						533	230149	Knob—Control Rod Uses: 93384 Nut

100200 to 100299

REF. NO.	PART NO.	DESCRIPTION	REF. NO.	PART NO.	DESCRIPTION	REF. NO.	PART NO.	DESCRIPTION
534	93322	Screw—Air Cleaner		280015	Cup—Air Cleaner		299420	Starter and Shield Assy.—Rewind (Sno-Gard 10 o'clock position)
	Note:	93374 Screw—Air Cleaner			Used on Type Nos. 0255, 0388, 0418.			Used on Type Nos. 0316, 0319, 0328, 0347, 0355, 0356, 0358, 0368, 0376, 0377, 0379, 0386, 0387, 0425, 0434, 0435, 0452, 0540, 0558, 0560, 0589.
		Used on Type Nos. 0228, 401057.	538	390756	Rod—Control			
		230741 Stud—Air Cleaner	538A	299545	Rod—Control			
		92067 Nut—Wing	539	221372	Clip—Control Rod			
		Used on Type Nos. 0255, 0388, 0418, 0441, 0462, 0538, 0566.	539A	93784	Clamp—Choke Rod			
534A	93825	Screw—Air Cleaner	541	22398	Washer			
535	27987	Element—Air Cleaner	542	92265	Screw			
	Note:	270067 Element—Air Cleaner	549	271118	Washer—Air Cleaner			
		Used on Type Nos. 0228, 401057.	549A	270978	Washer (Below Internal Screw Head)			
		270209 Element—Air Cleaner			Used after Code No. 75061907.			
		Used on Type Nos. 0255, 0388, 0418.	552	231079	Bushing—Governor Shaft			
		390492 Element—Air Cleaner			(1/4" inside dia.)			
		Uses:			Used after Code No. 75061907.			
		390588 Cover—Air Cleaner			Note: 230732 Bushing—Gov. Shaft	609	260694	Spring—Throttle Link
		221969 Support—Air Cleaner			(3/16" inside dia.)	611	391813	Fuel Pipe and Clip Assembly
		270730 Gasket—Air Cleaner			Used before Code No. 75062007.	612	296811	Pipe—Fuel
		Used on Type Nos. 0441, 0462, 0538, 0566.	562	92613	Bolt—Governor Lever	613	93549	Screw—Muffler Mtg.
535A	270979	Element—Air Cleaner	578	392750	Wire—Starter Switch	613A	93704	Screw—Muffler Mtg.
536	297036	Cleaner Assembly—Air	592	231082	Nut—Hex.—10-24	613B	93377	Screw—Muffler Mtg.
	Note:	297778 Cover—Carburetor Intake	608	297372	Starter Assy.—Rewind (10 o'clock position)	614	93306	Cotter—Hair Pin
		Used on Type Nos. 0171, 401049, 401050, 401070.			Note: 297543 Starter Assy.—Rewind (3 o'clock)	615	93307	Retainer—E-Ring
		297595 Cleaner Assembly—Air			Used on Type Nos. 0160, 0165, 0203, 0273, 0525, 401021, 401031, 401046, 401108.	616	231077	Crank—Governor (1/4" dia. Shaft)
		Used on Type Nos. 0228, 401057.			297854 Starter Assy.—Rewind (12 o'clock)			Used after Code No. 75061907.
		299593 Cleaner Assembly—Air			Used on Type Nos. 0547, 0548, 0565, 0593.			Note: 230723 Crank—Gov. (3/16" dia. Shaft)
		Uses:			298573 Starter Assy.—Rewind (Cast Hsg.)			Used before Code No. 75062007.
		221634 Cover—Air Cleaner			Used on Type No. 0221.	621	297472	Switch—Stop
		221969 Support—Air Cleaner				624	390383	Crank—Bell (includes Bell Crank Link)
								Note: 222476 Crank—Bell
								Used on Type No. 0483.
						626	230749	Spacer—Gov. Crank
						629	261094	Spring—Throttle Return
						630	222597	Lever—Adapter
						631	230862	Bushing
						634	270167	Washer, Throttle Shaft (Felt)
						635	66538	Elbow—Spark Plug
						642	222626	Cover—Air Cleaner
						643	222991	Cup—Air Cleaner
						643A	222845	Cup—Air Cleaner
						643B	222594	Cup—Air Cleaner

100200 to 100299

REF. NO.	PART NO.	DESCRIPTION	REF. NO.	PART NO.	DESCRIPTION	REF. NO.	PART NO.	DESCRIPTION
645	23513	Bushing—Plunger	725	221885	Shield—Heat	851	221798	Terminal—Ignition Cable
665	298858	Oil Minder	729	93708	Clip—Wire (Used to retain Ground Wire Lead to Cyl. Rib)	852	392368	Cleaner Assy.—Air Note: For Dual Element Air Cleaner Kit Order No. 393018.
676	221488	Deflector—Exhaust (side outlet)	731	299419	Hood—Snow Note: 392756 Hood—Snow (Key Style) Used on Type No. 0540.	854	392884	Bracket Assy.—Stop Switch
676A	221527	Deflector—Exhaust (direct outlet) Note: 393759 Deflector—Exhaust (Direct Outlet) Used on Type No. 0139.	733	93518	Screw—Hood	869	211787	Seat—Intake Valve (Standard)
676B	393757	Deflector—Exhaust	779	390383	Link—Bell Crank (includes Bell Crank)	870	211172	Seat—Exhaust Valve (Standard)
681	299060	Needle Valve Kit	780	222101	Anchor—Spring	871	63709	Guide—Exhaust Valve
682	211516	Shield—Clutch						