

100700 to 100799

Illustrated Parts List

Model Series

100700 to 100799

Non-Compliance

TYPE NUMBERS

0101

0110 through 0158

Compliance

TYPE NUMBERS

3015, 3016, 3024,

3025, 3026, 3101

3111 through 3136

TO FIND

THE CORRECT NUMBER OF THE PART YOU NEED:

FOLLOW THE INSTRUCTIONS BELOW

- A. Refer to Engine Model, Type and Code Number that is stamped on the blower housing of engine. Engine type numbers such as 012301 are listed herein only as 0123. The two digits (01 or 02, etc.) to the right of the space are not needed for parts identification. Then use the Illustrated Parts List covering the Model Series.
- B. Refer to Illustrated Parts section and compare the old part with illustration. The number on the illustration is the Reference Number. Assemblies include all parts shown in frames. All parts shown in assembly frames on which individual reference numbers are given can be purchased separately.
- C. After the Reference Number has been identified, refer to the Numerical Parts List, where Reference and Master Part Number are listed. **THE MASTER PART IS USED ON ALL TYPE NUMBERS EXCEPT THOSE TYPE NUMBERS UNDER "NOTE".**
- D. If a "Note" appears below the Master Part Number, this means that this part differs from the Master Part for certain types. If the Type number is listed under "Note", order the part referred to.
- E. If the Engine Type Number does not appear after any part number listed under "Note", use the Master Part Number.
- F. For Type Numbers higher than those covered by this book, please refer to the factory if you are unable to identify the part by comparison.

PRINTED IN U.S.A.

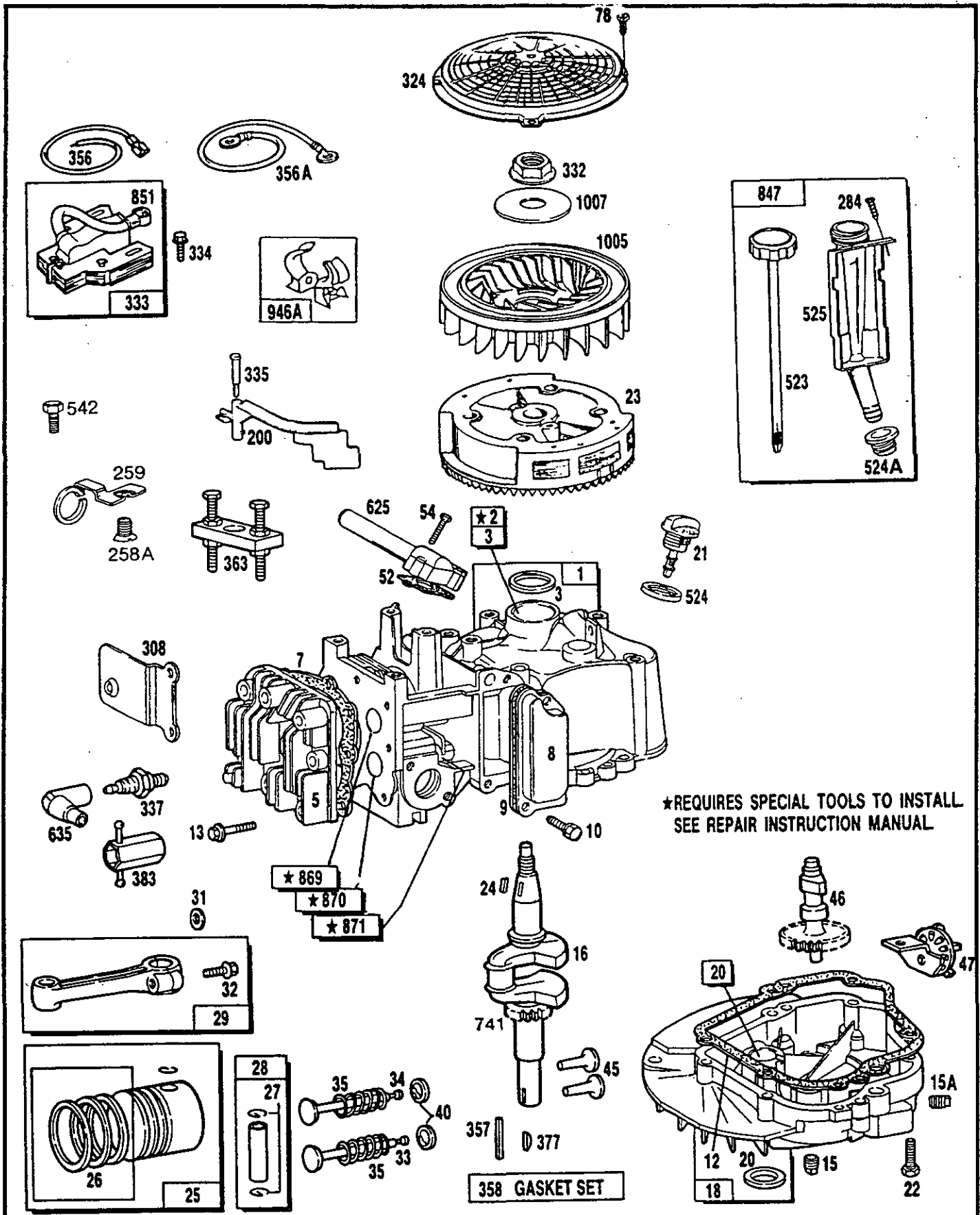
BRIGGS & STRATTON

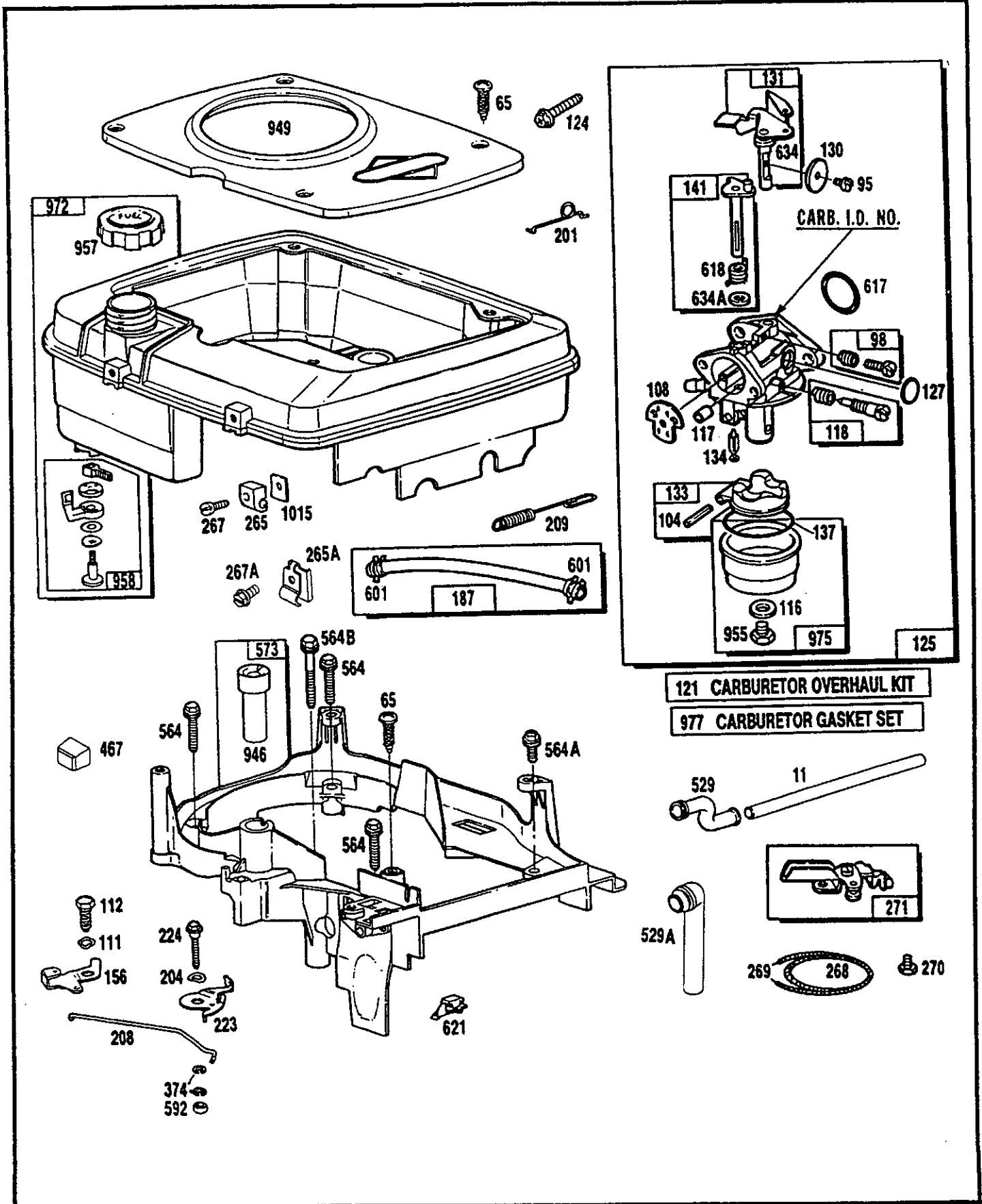
COPYRIGHT ©



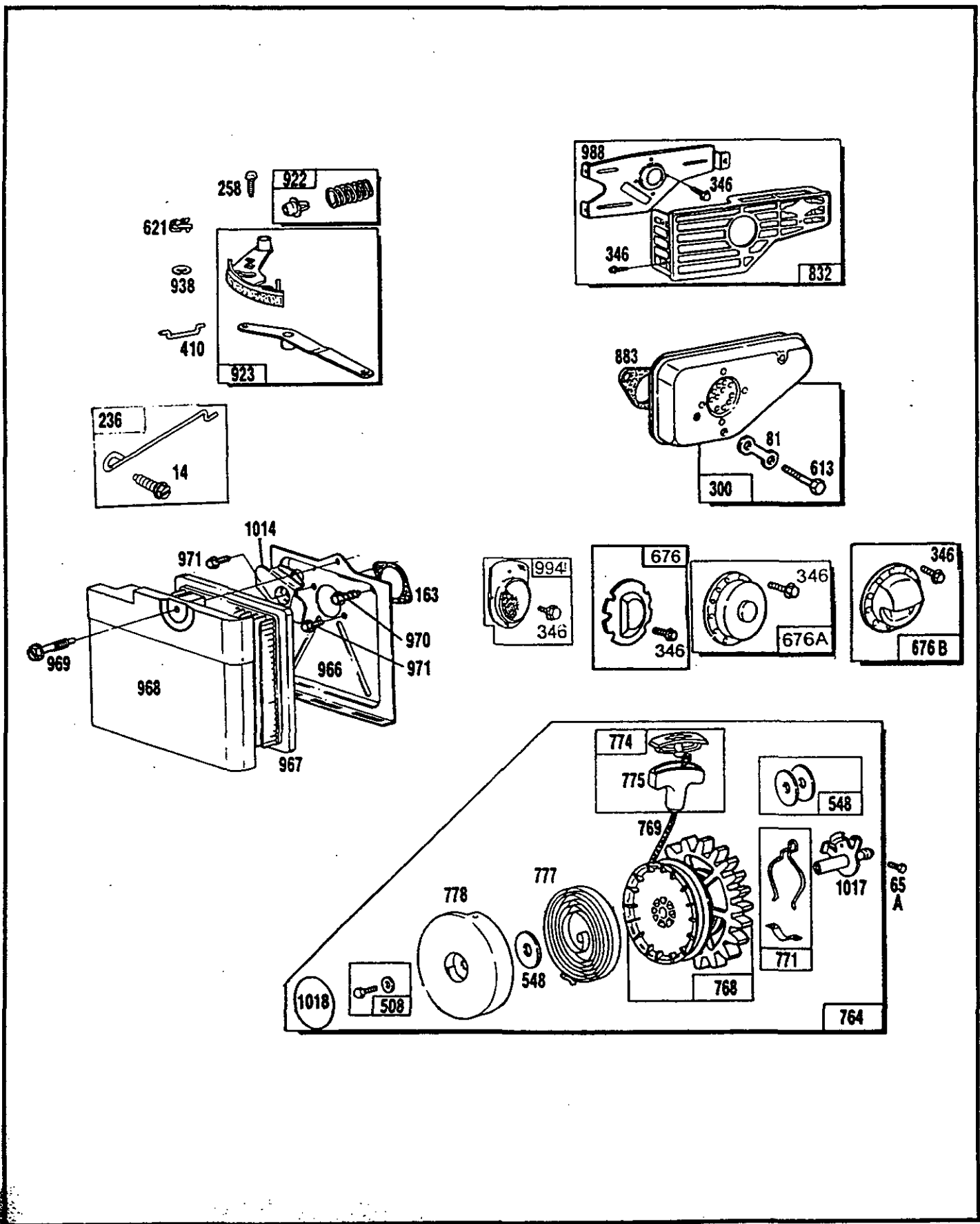
0 24847 09410 7

100700 to 100799





100700 to 100799



100700 to 100799

REF. NO.	PART NO.	DESCRIPTION	REF. NO.	PART NO.	DESCRIPTION	REF. NO.	PART NO.	DESCRIPTION	
1	490567	Cylinder Assembly		262269	Crankshaft (7/8")	40	93312	Retainer—Valve Spring	
2	293708	Bushing—Cylinder			Used on Type Nos. 0116, 0119, 0120, 0124, 0130, 0144, 0157, 3016, 3119, 3122, 3134, 3135.			Used with valves with groove in stem.	
	Note:	Requires special tools for installation.				45	262204	Tappet—Valve	
3	299819	Seal—Oil				46	490504	Gear—Cam	
5	213041	Head—Cylinder				47	399716	Oil Slinger Gear and Bracket	
7	** 271917	Gasket—Cylinder Hd.		262358	Crankshaft (7/8")	52	** 271906	Gasket—Intake Elbow	
8	399717	Breather—Valve Chamber			Used on Type Nos. 0158, 3117, 3129.	54	94266	Screw—Intake Elbow Mounting	
9	** 271904	Gasket—Valve Cover		493027	Crankshaft	65	94237	Screw—Guard Mounting	
10	94222	Screw—Breather Mounting Sem			Used On Type No. 0156.	65A	94225	Screw—Vertical Pull	
11	231496	Tube—Breather						Start Mounting	
12	** 271903	Gasket—Crankcase		18	492396	18	94321	Screw—Screen Mounting	
13	94221	Screw—Cylinder Hd.		20	399781	20	223664	Lock—Muffler Screw	
14	93969	Screw		21	280663	21	94098	Screw—Throttle Valve Mounting Sem	
15	94239	Plug—Oil Drain		22	94220	22	398185	Screw—Idle Adjustment	
	Note:	93418 Plug—Oil Drain (Hex-Socket) Used on Type No. 0133.		23	399011	23	104	* 231371	Pin—Float Hinge
15A	91249	Plug—Oil Drain		24	222698	24	108	223471	Valve—Choke
16	262206	Crankshaft (25 mm)		25	490564	25	111	94060	Washer—Wave
	Note:	To Replace Crankshaft Gear Key Order Part No. 94368. 262260 Crankshaft (25 mm) Used on Type Nos. 0112, 0113, 0115, 0121, 0123, 0126, 0131, 0132, 0141, 0142, 0145, 0155, 3026, 3111, 3126, 3132. 262266 Crankshaft (25 mm) Used on Type Nos. 3024, 3115, 3120. 262268 Crankshaft (7/8") Used on Type Nos. 0111, 0114, 0118, 0128, 0129, 0133, 0134, 0136, 0137, 0138, 0139, 0140, 0146, 0149, 3015, 3112, 3113, 3116, 3118, 3123, 3124, 3128, 3130, 3131.		26	490565	26		Note:	93569 Washer Wave Used On Type No. 0142.
				MODEL 100700 SERIES PISTON RING SETS:			112	94199	Screw—Hex Head
				26	490565	26	116	*†	Gasket—Sealing (Sold in Kit Only)
					490798	Ring Set—.010" O.S. Piston			Jet (Sold in Kit Only)
					490800	Ring Set—.020" O.S. Piston	117	*	
					490802	Ring Set—.030" O.S. Piston	118	492500	Valve and Spring—Needle (For LMS-15)
				27	26026	Lock—Piston Pin		398670	Valve and Spring—Needle (For LMS-5)
				28	298909	Pin Assembly—Piston—Standard	121	492495	Carburetor Overhaul Kit (For LMS-15)
					298908	Pin Assembly—Piston—.005" O.S.		490931	Carburetor Overhaul Kit (For LMS-5)
				29	490566	Rod Assembly—Connecting	124	94268	Screw—Carburetor Mtg.
					Note:	For Connecting Rod with .020" undersize Crankpin Bearing—Order No. 490743.	125	492499	Carburetor Assembly (For LMS-15)
				31	222282	Washer—Flat (One for Each Screw)		490751	Carburetor Assembly (For LMS-5)
				32	94405	Screw—Connecting Rod	127	*	Plug—Welch (Sold in Kit Only)
				33	262228	Valve—Exhaust	130	223470	Valve—Throttle
				34	262227	Valve—Intake	131	490749	Shaft and Lever—Throttle
				35	262224	Spring—Valve	133	398187	Float Assy.—Carburetor
							134	* 398188	Valve—Inlet (Includes Seat)

* Included in Carburetor Overhaul Kit—See Ref. 121

** Included in Gasket Set—Part No. 490563

† Included in Carburetor Gasket SET—PART NO. 398183

100700 to 100799

REF. NO.	PART NO.	DESCRIPTION	REF. NO.	PART NO.	DESCRIPTION	REF. NO.	PART NO.	DESCRIPTION
137	*†	Gasket—Bowl (Sold in Kit Only)			262302 Spring—Governor Used On Type Nos. 0146, 3126, 3127, 3132.			Note: 293918 Plug—Spark (Resistor Type) 1-1/2" high—37 mm.
141	398186	Shaft—Choke				346	93705	Screw—Deflector
156	223764	Lever—Speed Control				356	398808	Wire—Ground
	Note:	224076 Lever Speed—Control Used On Type NO. 0142.			262382 Spring—Governor Used on Type No. 0133.	356A	490318	Wire—Ground
163	271840	Gasket—Air Cleaner				357	91539	Key (For 7/8" Dia. Crankshaft)
187	492790	Hose—Fuel	223	223758	Lever—Governor			Note: 91540 Key (For 25mm Crankshaft)
200	280664	Blade—Governor	224	94319	Screw—Shoulder			
201	262330	Link—Governor	236	491687	Link—Brake Lock-Out	358	490563	Gasket Set
204	94261	Washer—Spring				363	19069	Puller—Flywheel (Optional Accessory)
208	262254	Link—Control	258	94223	Screw—Hex Head	374	92813	Lockwasher— Shakeproof
209	262303	Spring—Governor	258A	94037	Screw—Flat HD.	377	93065	Key—Woodruff (For 7/8" Dia. Crankshaft)
	Note:	262297 Spring—Governor Used on Type Nos. 0145, 0153, 3114, 3123, 3124, 3131.	259	223834	Bracket—Cable			Note: 94329 Key— Woodruff (For 25mm Crankshaft)
		262298 Spring—Governor Used on Type Nos. 0130, 0131, 0149, 0155.	265	213146	Clamp—Casing	383	89838	Wrench—Spark Plug
		262299 Spring—Governor Used on Type Nos. 0111, 0114, 0120, 0121, 0123, 0124, 0126, 0127, 0138, 0139, 0140, 0143, 0144, 0156, 0157, 3015, 3016, 3024, 3025, 3026, 3112, 3115, 3116, 3117, 3119, 3121, 3122, 3129, 3130, 3135.	265A	224057	Clamp—Casing	410	262327	Link—Brake
		262300 Spring—Governor Used on Type Nos. 0110, 0113, 0116, 0117, 0118, 0119, 0136, 0141, 0142, 0147, 3118, 3120.	267	94264	Screw—Clamp Mtg.	467	280857	Knob, Control
		262301 Spring—Governor Used on Type Nos. 0101, 0112, 0129, 0134, 0137, 0150, 0152, 3101, 3111, 3113, 3128, 3133, 3136.	267A	94403	Screw—Clamp Mtg.	508	490875	Screw—Sem
			268	66986	Casing—Control Wire—48" long	523	490962	Cap with Dipstick— Oil Filler
				Note:	If longer casing is needed, specify length in inches; if shorter casing is needed, order No. 66986 and cut to required length.	524	271983	Seal—Filler Plug
			269	26099	Wire Control, 54" long	524A	280761	Seal—Filler Tube
				Note:	If longer wire is needed, specify length in inches; if shorter wire is needed, order No. 26099 and cut to required length.	525	490961	Tube—Oil Filler
			270	63426	Locknut—Control Wire Casing	529	280711	Grommet—Breather
			271	290568	Lever Assembly— Control	529A	271489	Tube—Breather
			284	94326	Screw—Tube Mounting	542	94025	Screw—Hex Hd.
			300	490547	Muffler—Exhaust	548	490879	Washer Set—Starter
			308	490492	Bracket—Rope Guide	564	94233	Screw—Backplate (1 21/32" Long)
			324	280784	Screen—Rotating	564A	94234	Screw—Backplate (25/32" Long)
			332	94232	Nut—Flywheel	564B	94270	Screw—Backplate (2 1/2" Long)
			333	490748	Armature—Magneto	573	490577	Backplate Assembly
			334	93381	Screw—Armature Mounting Sem	592	90356	Nut—Hex. Ground Wire
			335	93435	Screw—Governor Blade Mounting Sem	601	93053	Clamp—Hose (Black)
			337	298809	Plug—Spark (with Gasket) 1-1/2" high— 37-42 mm.		Note:	93807 Clamp—Hose (Red)
						613	94231	Screw—Muffler Mtg.
						617	*† 270344	Seal—Fuel Intake Tube
						618	262035	Spring—Choke
						621	396847	Switch—Stop
						625	490002	Tube—Fuel Intake
						634	*†	Washer—Throttle Shaft (Sold in Kit Only)

* Included in Carburetor Overhaul Kit—See Ref. 121

† Included in Carburetor Gasket SET—PART NO. 398183

100700 to 100799

REF. NO.	PART NO.	DESCRIPTION	REF. NO.	PART NO.	DESCRIPTION
634A	*†	Seal—Choke (Sold in Kit Only)	969	94120	Screw—Cover Mtg.
635	66538	Elbow—Spark Plug	970	94279	Screw—Hex. Hd.
676	393756	Deflector—Exhaust	971	94269	Screw—Air Cleaner
676A	397931	Deflector—Exhaust	972	491062	Tank Assembly—Fuel
676B	396548	Deflector—Exhaust	975	398191	Bowl Assembly— Carburetor
741	262598	Gear—Timing	977	398183	Gasket Set—Carburetor
764	490647	Starter Assembly	988	223828	Bracket—Muffler Guard
768	490877	Pulley and Gear Assembly—Starter	994	398067	Spark Arrester
769	490876	Rope—Starter	1005	280645	Fan—Flywheel
	Note:	Cut to Length Required	1007	223665	Washer—Fan
771	490878	Clip—Starter	1014	223831	Deflector—Breather
774	393152	Insert—Starter Handle	1015	223649	Plate—Casing Clamp
775	396892	Grip—Starter Rope	1017	490866	Shaft—Starter
777	490874	Spring—Starter	1018	272017	Decal—Starter
778	491888	Cover—Starter			
832	490777	Guard—Muffler			
847	491063	Tube Assy.—Oil Fill			
851	221798	Terminal—Ignition Cable			
869	213175	Seat—Intake Valve (Standard)			
870	213174	Seat—Exhaust Valve (Standard)			
871	262001	Guide—Exhaust Valve			
	Note:	63709 Guide—Intake Valve See Repair Instruction Manual			
883	271918	Gasket—Exhaust			
922	490658	Spring—Band Brake (Includes Retainers)			
923	490659	Brake Assembly—Band			
938	490657	Ring—Retainer (Includes 2)			
946	490655	Rope Guide—Starter			
946A	396526	Rope Guide			
949	280662	Cover—Static-Gard			
955	231373	Screw—Bowl Mtg.			
957	397974	Cap Assembly—Fuel			
958	490656	Valve—Fuel Shut-Off			
966	223830	Base—Air Cleaner			
	Note:	491815 Backplate— Air Cleaner Includes 271840 Gasket And 271489 Breather Tube Used For HANG Down Breather Tube, Ref. 529A			
967	399877	Filter—Air			
968	280661	Cover—Air Cleaner			

* Included in Carburetor Overhaul Kit—See Ref. 121

† Included in Carburetor Gasket SET—PART NO. 398183

