

Out

# 100900 to 100999

## Illustrated Parts List

### Model Series

# 100900 to 100999

TYPE NUMBERS  
0010 through 0040  
0010 through 0369  
400000 through 400108

#### TO FIND

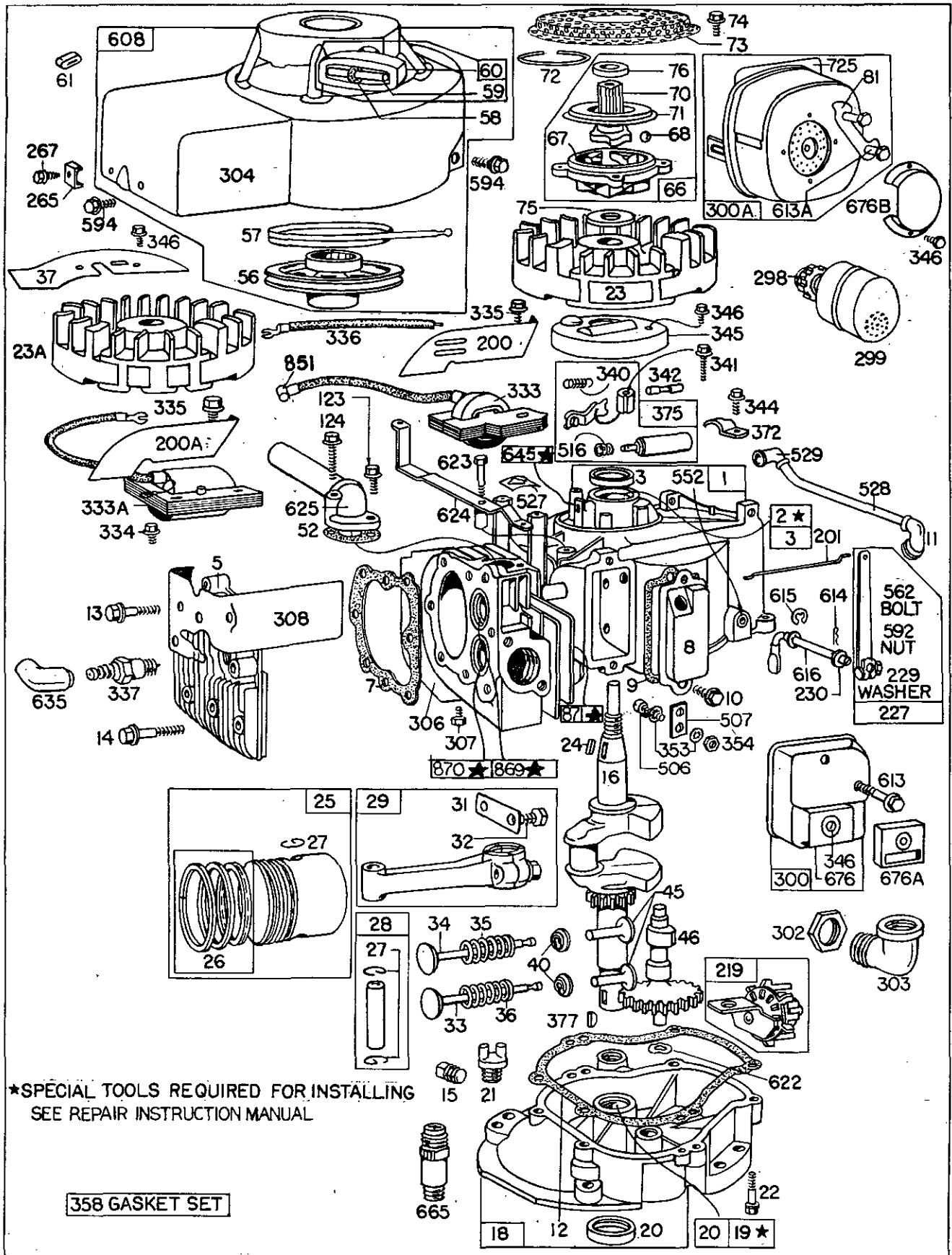
**THE CORRECT NUMBER OF THE PART YOU NEED:**

**FOLLOW THE INSTRUCTIONS BELOW:**

- A. Refer to Engine Model, Type and Code Number that is stamped on the blower housing or nameplate of engine. Engine type numbers such as 0147 01 are listed herein only as 0147. The two digits (01 or 02, etc.) to the right of the space are not needed for parts identification. Then use the Illustrated Parts List covering these Model Series.
- B. Refer to Illustrated Parts section and compare the old part with illustration. The number on the illustration is the Reference Number. Assemblies include all parts shown in frames. All parts shown in assembly frames on which individual reference numbers are given can be purchased separately.
- C. After the Reference Number has been identified, refer to the Numerical Parts List, where Reference and Master Part Numbers are listed. THE MASTER PART IS USED ON ALL TYPE NUMBERS EXCEPT THOSE TYPE NUMBERS UNDER "NOTE".
- D. If a "Note" appears below the Master Part Number, this means that this part differs from the Master Part for certain types. If the Type Number is listed under "Note", order the part referred to.
- E. If the Engine Type Number does not appear after any part number listed under "Note", use the Master Part Number.
- F. For Type Numbers higher than those covered by this book, please refer to the factory if you are unable to identify the part by comparison.

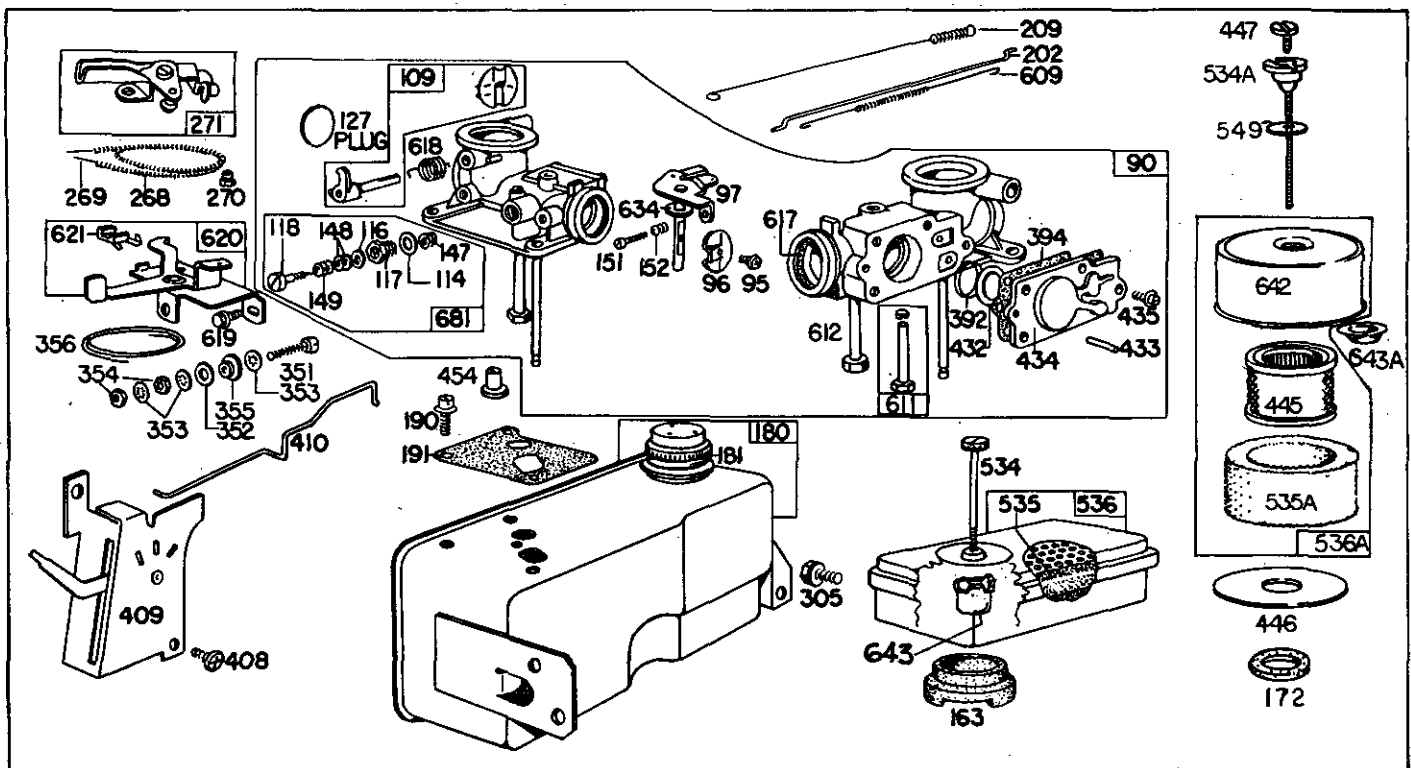


# 100900 to 100999



1009-1-59

Assemblies include all parts shown in frames.



1009-2-59

Assemblies include all parts shown in frames.

REF. NO. 1 - 16

REF. NO.	PART NO.	DESCRIPTION	REF. NO.	PART NO.	DESCRIPTION	REF. NO.	PART NO.	DESCRIPTION
1	391976	Cylinder Assembly	15	91084	Plug—Oil Drain			0015, 0111, 0116,
2	297565	Bushing—Cylinder		<b>Note:</b> 93418	Plug—Oil Drain			0121, 0124, 0130,
		<b>Note:</b> Requires special tools for installation.			(Hexagon Socket Head)			0131, 0134, 0139,
3	299819	Seal—Oil			Used on type Nos.			0140, 0144, 0145,
5	211127	Head—Cylinder			0133, 0138, 0148,			0146, 0147, 0149,
7	*270383	Gasket—Cyl. Head			0152, 0159, 0165,			0156, 0161, 0166,
8	297261	Breather—Valve Chamber			0168, 0173, 0195,			0170, 0176, 0181,
9	*27549	Gasket—Valve Cover			0198, 0202, 0203,			0183, 0185, 0200,
10	93394	Screw—Breather Mounting Sem			0225, 0235, 0269,			0201, 0203, 0217,
11	67738	Grommet—Breather			0275, 0277, 0280,			0223, 0224, 0225,
12	*270069	Gasket—Crankcase— .015" thick (Standard)			0281, 0286, 0287,			0229, 0230, 0242,
	*270122	Gasket—Crankcase— .005" thick			0290, 0291, 0293,			0248, 0258, 0267,
	*270123	Gasket—Crankcase— .009" thick			0303, 0305, 0306,			0268, 0272, 0273,
13	93368	Screw—Cyl. Head (2-3/32" long)			0307, 0316, 0323,			0276, 0281, 0286,
14	93369	Screw—Cyl. Head (2-15/32" long)			0324,			0296, 0298, 0299,
					400027, 400044,			0300, 0309, 0313,
					400045, 400065,			0318, 0320, 0321,
					400066, 400074,			0322, 0326, 0327,
					400075, 400076,			0330, 0331, 0332,
					400080, 400081,			0335, 0336, 0346,
					400098, 400099.			0347, 0351, 0359,
								0361, 0363,
			16	260646	Crankshaft			400016, 400023,
				<b>Note:</b> 260650	Crankshaft			400024, 400026,
					Used on type Nos.			400027, 400028,

\* Included in Gasket Set—  
Part No. 297616

REF. NO.	PART NO.	DESCRIPTION	REF. NO.	PART NO.	DESCRIPTION	REF. NO.	PART NO.	DESCRIPTION
	400033, 400038, 400042, 400043, 400049, 400057, 400062, 400064, 400065, 400066, 400068, 400077, 400082, 400092, 400095, 400096, 400101, 400105.			400078, 400079, 400081, 400083, 400087, 400089, 400094, 400097, 400099, 400102, 400104, 400106, 400108.		21	66768	Plug-Oil Filler <b>Note:</b> 298715 Tube Assy. - Oil Filler Used on type Nos. 0239, 0286, 0343. <b>Includes:</b> 298664 Cap & Dip- stick-Oil Filler 298665 Tube-Oil 270306 Seal Used between Tube and Sump. 231004 Retainer- Oil Seal Used between Oil Seal and Tube
	260826 Crankshaft Used on type Nos. 0137, 0197, 0319, 400085.		18	297587	Sump-Oil <b>Note:</b> 298211 Sump-Oil Used on type Nos. 0040, 0120, 0121, 0122, 0123, 0124, 0125, 0133, 0156, 0160, 0163, 0169, 0182, 0204, 0209, 0212, 0216, 0227, 0234, 0240, 0241, 0247, 0259, 0265, 0270, 0282, 0301, 0310, 0319, 0330, 0332, 0334, 0339, 0342, 0352, 0356, 0365, 0366, 400100, 400101, 400102.	22	93032	Screw-Sump Mounting Sem
	260908 Crankshaft Used on type Nos. 0017, 0112, 0117, 0122, 0125, 0132, 0143, 0148, 0150, 0151, 0152, 0153, 0157, 0159, 0164, 0167, 0168, 0171, 0173, 0175, 0177, 0179, 0180, 0186, 0187, 0191, 0194, 0202, 0211, 0214, 0215, 0219, 0221, 0226, 0227, 0233, 0235, 0236, 0243, 0244, 0246, 0247, 0251, 0252, 0257, 0260, 0262, 0266, 0271, 0274, 0275, 0279, 0283, 0285, 0288, 0289, 0290, 0293, 0294, 0295, 0297, 0303, 0304, 0307, 0310, 0317, 0324, 0328, 0329, 0333, 0334, 0337, 0338, 0339, 0341, 0342, 0344, 0345, 0352, 0354, 0360, 0362, 0365, 0366, 0367, 0368, 400017, 400036, 400044, 400045, 400047, 400048, 400051, 400054, 400056, 400061, 400063, 400069, 400071, 400074,		19	297604	Bushing-Oil Sump <b>Note:</b> Requires special tools for installation.	23	297229	Flywheel-Magneto (Used after Code No. 6308231)
			20	294167	Seal-Oil <b>Note:</b> 298041 Seal-Oil (For Auxiliary Drive Shaft) Used on type Nos. 0040, 0120, 0121, 0122, 0123, 0124, 0125, 0133, 0156, 0160, 0163, 0169, 0182, 0204, 0209, 0212, 0216, 0227, 0234, 0240, 0241, 0247, 0259, 0265, 0270, 0282, 0301, 0310, 0319, 0330, 0332, 0334, 0339, 0342, 0352, 0356, 0365, 0366, 400100, 400101, 400102.	23A	297348	Flywheel-Magneto (Used before Code No. 6308261)
						24	61760	Key-Flywheel
						25	298168	Piston Assembly- Standard 298169 Piston Assembly- .010" O.S. 298170 Piston Assembly- .020" O.S. 298171 Piston Assembly- .030" O.S.
						<b>PISTON RING SETS:</b> <b>Note:</b> For Chrome Piston Ring Set-standard size-order Part No. 298744. (Available only for Engines after Code 6306141) <b>The following Piston Ring Sets are used after Code No. 6306141:</b>		
						26	298174	Ring Set-Std. Piston
							298175	Ring Set-.010" O.S. Piston
							298176	Ring Set-.020" O.S. Piston

REF. NO.	PART NO.	DESCRIPTION	REF. NO.	PART NO.	DESCRIPTION	REF. NO.	PART NO.	DESCRIPTION
298177		Ring Set-.030" O. S. Piston <b>The following Piston Ring Sets are used before Code No. 6306171:</b>	46	211117	Gear-Cam			<b>Note:</b> 298798 Clutch Assy. - Rewind Starter
297575		Ring Set-Standard Piston		<b>Note:</b> 211284	Gear-Cam Used on type Nos. 0040, 0120, 0121, 0122, 0123, 0124, 0125, 0133, 0156, 0160, 0163, 0169, 0182, 0204, 0209, 0212, 0216, 0227, 0234, 0240, 0241, 0247, 0259, 0265, 0270, 0282, 0301, 0310, 0319, 0330, 0332, 0334, 0339, 0342, 0352, 0356, 0365, 0366, 400100, 400101, 400102.			<b>Uses:</b> 212132 Housing-Starter Clutch 66718 Washer-Thrust 298799 Ratchet 221653 Washer-Clutch Retainer Used before Code No. 6405250.
297576		Ring Set-.010" O. S. Piston						
297577		Ring Set-.020" O. S. Piston						
297578		Ring Set-.030" O. S. Piston				67	212131	Housing-Str. Clutch Used after Code No. 6405220.
27	260645	Lock-Piston Pin						<b>Note:</b> 210400 Housing-Starter Clutch Used before Code No. 6405250.
28	297581	Pin-Assembly-Piston-Standard						
	297582	Pin Assembly-Piston-.005" O. S.	52	*270070	Gasket-Intake Elbow Mounting	68	63770	Ball-Clutch
29	297568	Rod Assembly-Conn. <b>Note:</b> For Connecting Rod with .020" undersize Crankpin Bore-order No. 298786.	56	280117	Pulley-Rewind Starter <b>Note:</b> 294088 Pulley-Rewind Starter Used before Code No. 6507211.	70	298436	Ratchet-Str. Clutch Used after Code No. 6405220. <b>Note:</b> 296597 Ratchet-Rewind Starter Used before Code No. 6405250.
31	221741	Lock-Conn. Rod Used after Code No. 6503231. <b>Note:</b> 221451 Lock-Conn. Rod Screw Used before Code No. 6503241.						
32	93450	Screw-Conn. Rod Used after Code No. 6503231. <b>Note:</b> 91162 Screw-Conn. Rod Used before Code No. 6503241.						
33	211119	Valve-Exhaust	57	294303	Spring-Rewind Starter	71	221653	Washer-Clutch Ret. Used after Code No. 6405220.
34	261044	Valve-Intake Used after Code No. 6911201. <b>Note:</b> 260961 Valve-Intake Used before Code No. 6911211	58	66694	Rope-Rewind Starter-47-1/8" Long Used after Code No. 6507211. <b>Note:</b> 294584 Rope-Rewind Starter-47-1/8" Long Used before Code No. 6507221. If longer rope is needed-order No. 66684 (used after Code No. 6507211) or No. 66514 (used before Code No. 6507221) and cut to required length.			<b>Note:</b> 221301 Washer-Clutch Retainer Used before Code No. 6405250.
35	260552	Spring-Intake Valve				72	26032	Spring-Clutch Ret. Used before Code No. 6405250.
36	26478	Spring-Exhaust Valve				73	221661	Screen-Rewind Str. Used after Code No. 6405220.
37	222443	Guard-Flywheel						<b>Note:</b> 220648 Screen Rewind Starter Used before Code No. 6405250.
40	93312	Retainer-Valve Spg.						
45	260642	Tappet-Valve	59	230228	Pin-Starter Rope	74	93490	Screw-Rotating Screen Mounting Sem
			60	66728	Grip-Starter Rope	75	220865	Washer-Spring
			61	68618	Bumper-Str. Pulley (Used only with Steel Pulley)	76	68238	Washer-Ratchet Sealing
			66	298310	Clutch Assembly-Rewind Starter Used after Code No. 6405220.			<b>Note:</b> 270045 Washer-Sealing Used before Code No. 6405250 on type No. 0173.

\* Included in Gasket Set-  
Part No. 297616

# 100900 to 100999

REF. NO. 81 - 267

REF. NO.	PART NO.	DESCRIPTION	REF. NO.	PART NO.	DESCRIPTION	REF. NO.	PART NO.	DESCRIPTION
81	222263	Lock-Muffler Screw			(Used after Code No. 6308231)			0369,
90	297567	Carburetor Assembly						400020, 400024,
95	93499	Screw-Throttle Valve to Shaft Sem	200A	221508	Guide-Air			400025, 400026,
96	211237	Valve-Throttle			(Used before Code No. 6308261)			400027, 400033,
97	299692	Shaft and Lever-Thr.	201	260649	Link-Governor			400038, 400044,
109	390076	Shaft, Lever and Valve-Choke	202	260654	Link-Throttle			400045, 400053,
114	66594	Gasket-Needle Valve Nut	209	260703	Spring-Governor			400055, 400058,
116	65978	Packing-Needle Valve			Note: 260711 Spring-Governor			400059, 400062,
117	230590	Nut-Needle Valve			Used on type Nos. 0015, 0016, 0017, 0040, 0131, 0132, 0134, 0135, 0136, 0138, 0140, 0144, 0145, 0146, 0148, 0151, 0152, 0154, 0158, 0159, 0161, 0163, 0166, 0168, 0170, 0172, 0173, 0176, 0181, 0182, 0183, 0185, 0186, 0187, 0190, 0191, 0195, 0198, 0199, 0200, 0201, 0202, 0203, 0204, 0206, 0209, 0210, 0217, 0219, 0220, 0222, 0223, 0224, 0225, 0227, 0228, 0232, 0238, 0239, 0244, 0245, 0248, 0249, 0253, 0258, 0260, 0261, 0262, 0263, 0264, 0265, 0267, 0268, 0269, 0272, 0273, 0274, 0275, 0276, 0277, 0279, 0282, 0285, 0287, 0290, 0291, 0292, 0294, 0295, 0296, 0297, 0298, 0299, 0300, 0301, 0302, 0308, 0309, 0310, 0312, 0313, 0315, 0321, 0322, 0324, 0325, 0326, 0327, 0331, 0334, 0335, 0339, 0340, 0341, 0342, 0344, 0346, 0347, 0351, 0356, 0357, 0358, 0361, 0362, 0364, 0366,			400065, 400066,
123	93512	Screw-Intake Elbow Mounting						400068, 400071,
124	93367	Screw-Intake Elbow Mounting						400074, 400075,
127	22831	Plug-Welch						400076, 400081,
147	230591	Seat-Needle Valve						400090, 400092,
148	22235	Washer-Needle Valve						400099.
149	26336	Spring-Needle Valve						261047 Spring-Governor
151	93527	Screw-Rd. Hd. - 5-40 x 5/8"						Used on type Nos. 0199, 0303, 0304, 0305, 0306, 0307, 0316, 0318, 0337, 0338, 0345, 0350, 0352, 0354, 0360, 0365, 0367, 0368.
152	260575	Spring-Throttle Adjustment						261108 Spring-Governor
163	27660	Gasket-Air Cl. Mtg.						Used on type No. 0329.
	Note:	270488 Gasket-Air Cleaner Mounting						219 297249 Oil Slinger Gear, Governor and Bracket
		Used on type Nos. 0250, 0269, 0275, 0287, 0290, 0296, 0307,						227 391967 Lever Assembly-Governor
		270730 Gasket-Air Cleaner Mounting						(For 1/4" dia. Crank)
		Used on type Nos. 0335, 0346.						(Used after Code No. 75102806)
172	271077	Gasket-Air Cleaner						Note: 297583 Lever Assy. - Governor
180	297257	Tank Assembly-Fuel						(For 3/16" dia. Crank)
181	392304	Cap-Fuel Tank						(Used before Code No. 75102906)
	Note:	297863 Cap-Fuel Tank						229 220680 Washer-Gov. Lever
		Used on type Nos. 0173, 0266.						230 222450 Washer-Gov. Crank
		298425 Cap-Fuel Tank						(For 1/4" I. D.)
		Used on type Nos. 0134, 0140, 0152.						Note: 221559 Washer-Gov. Crank
190	93440	Screw-Fuel Tank Mounting						(For 3/16" I. D.)
191	*270073	Gasket-Fuel Tank Mounting (2)						265 22372 Clamp-Casing
200	221480	Guide-Air						Note: For clamp mounted with cylinder head screw-order No. 221534
								267 93469 Screw-Clamp Mtg.

\* Included in Gasket Set- Part No. 297616

REF. NO.	PART NO.	DESCRIPTION	REF. NO.	PART NO.	DESCRIPTION	REF. NO.	PART NO.	DESCRIPTION
268	66986	Casing—Control Wire—48" Long <b>Note:</b> If longer casing is needed, specify length in inches; if a shorter casing is needed order No. 66986 and cut to required length.			0273, 0280, 0289, 0295, 0311, 0319, 0320, 0321, 0330, 0332, 0345, 0363, 400025, 400026, 400027, 400028, 400031, 400038, 400039, 400042, 400043, 400048, 400050, 400055, 400056, 400064, 400065, 400078, 400085, 400087, 400092, 400093.			400020, 400053, 400059, 400068, 400069, 400080, 400084, 400098, 400103, 400106.
269	26099	Wire—Control, 54" Long <b>Note:</b> If longer wire is needed, specify length in inches; if shorter wire is needed order No. 26099 and cut to required length.			392811 Muffler—Exhaust Used on type Nos. 0339, 0366.			297631 Housing—Blower (For Rewind Starter) Used on type Nos. 0130, 0137, 0144, 0151, 0159, 0164, 0168, 0171, 0179, 0185, 0186, 0187, 0193, 0197, 0202, 0203, 0208, 0214, 0215, 0217, 0224, 0226, 0232, 0254, 0256, 0257, 0258, 0260, 0265, 0268, 0288, 0290, 0296, 0304, 0319, 0324, 0353,
270	63426	Locknut—Control Wire Casing	300A	391313	Muffler—Exhaust			400022, 400045, 400048, 400052, 400062, 400071, 400077, 400081, 400083, 400085, 400094, 400095, 400099.
271	290568	Lever Assembly—Control	302	261409	Locknut—Muffler and Elbow <b>Note:</b> 220859 Locknut—Muffler Used on type Nos. 0339, 0366.			297636 Housing—Blower (For Rewind Starter) Used on type Nos. 0199, 0225, 0286, 0292, 0308, 0313, 0316, 0318, 0321, 0341, 0342, 0343, 0345, 0350, 0351, 0352, 0360, 0364, 0365.
298	220859	Locknut—Muffler						297742 Housing—Blower (For Rewind Starter) Used on type Nos. 0152, 0173, 0207, 0221, 0238, 0252, 0275, 0281, 0303, 0307, 0311, 0317, 0333, 0357, 0359, 400044, 400076.
299	392811	Muffler—Exhaust						
300	297274	Muffler—Exhaust (Side Outlet) <b>Note:</b> 294599 Muffler—Exhaust Used on type Nos. 0136, 0154, 0179, 0180, 0185, 0190, 0191, 0194, 0196, 0204, 0212, 0213, 0214, 0215, 0221, 0252, 0257, 0270, 0282, 0288, 0304, 0318, 0324, 0351, 400020, 400053, 400059, 400079, 400083, 400095, 297506 Muffler—Exhaust (Direct Outlet) Used on type Nos. 0035, 0037, 0038, 0133, 0137, 0141, 0145, 0146, 0149, 0163, 0170, 0175, 0177, 0186, 0189, 0197, 0206, 0211, 0233, 0241, 0272,	303	91464	Elbow—Muffler, 90 Degree, Street <b>Note:</b> 91219 Elbow—Exhaust—45 Degree Street Used on type Nos. 0214, 0221, 0252. 91464 Elbow—Exhaust—90 Degree, Street Used on type Nos. 0252, 0257.			
			304		Housing—Blower For type Numbers not listed below, see Ref. No. 608. <b>Note:</b> 297543 Housing—Blower (For Rewind Starter) Used on type Nos. 0131, 0136, 0140, 0150, 0153, 0154, 0157, 0165, 0192, 0195, 0228, 0249, 0293, 0295, 0358, 0362,			

# 100900 to 100999

REF. NO. 304 - 535A

REF. NO.	PART NO.	DESCRIPTION	REF. NO.	PART NO.	DESCRIPTION	REF. NO.	PART NO.	DESCRIPTION
		<b>297992</b> Housing—Blower (For Rewind Starter) Used on type Nos. 0248, 0250, 0251, 0289, 0295, 0337.	<b>341</b>	<b>93381</b>	Screw—Breaker Arm Mounting Sem	<b>435</b>	<b>93141</b>	Screw—Diaphragm Cover
		<b>298028</b> Housing—Blower (For Rewind Starter) Used on type Nos. 0138, 0198, 0248, 0269, 0287, 0354, 400075.	<b>342</b>	<b>65704</b>	Plunger—Breaker Point	<b>445</b>	<b>392308</b>	Cartridge—Air Cleaner
<b>305</b>	<b>93158</b>	Screw—Tank Brkt. Mounting Sem	<b>344</b>	<b>93042</b>	Screw—Condenser Clamp Mounting Sem	<b>446</b>	<b>222844</b>	Base—Air Cleaner
<b>306</b>	<b>221484</b>	Shield—Cylinder	<b>345</b>	<b>220366</b>	Cover—Breaker Point and Condenser	<b>447</b>	<b>93817</b>	Screw—Cover Mtg.
<b>307</b>	<b>93042</b>	Screw—Cylinder Shield Mounting Sem	<b>346</b>	<b>93705</b>	Screw—Hex. Head	<b>454</b>	<b>296178</b>	Housing—Fuel Pipe Screen (For 3/16" O.D. Pipe)
<b>308</b>	<b>221452</b>	Cover—Cylinder Head	<b>351</b>	<b>91920</b>	Screw—Machine, Fil. Hd.—8-32 x 5/8"	<b>506</b>	<b>90200</b>	Screw—Machine, Fil. Hd.—8-32 x 1/2"
<b>333</b>	<b>298316</b>	Armature—Magneto Used after Code No. 6308231)	<b>352</b>	<b>66794</b>	Washer—Insulating	<b>507</b>	<b>66895</b>	Insulator
<b>333A</b>	<b>297594</b>	Armature—Magneto (Used before Code No. 6308261)	<b>353</b>	<b>92791</b>	Washer—Lock—Shakeproof (2)	<b>516</b>	<b>260374</b>	Spring—Connector
<b>334</b>	<b>93705</b>	Screw—Air Guide Mounting Sem	<b>354</b>	<b>90576</b>	Nut—Hex.—8-32	<b>527</b>	<b>93376</b>	Clip—Breather Pipe
<b>335</b>	<b>93414</b>	Screw—Armature Mounting Sem	<b>355</b>	<b>66554</b>	Collar—Insulating	<b>528</b>	<b>230717</b>	Tube—Breather
<b>336</b>	<b>297250</b>	Cable—Ignition (Used before Code No. 6208220. Cables used after this Code number are integral with the ignition coil.)	<b>356</b>	<b>298479</b>	Wire—Ground Note: <b>298581</b> Wire—Ground Used on type No. 0325. <b>390919</b> Wire—Ground Used on type—No. 0365. <b>391013</b> Wire—Ground Used on type No. 0366. <b>391115</b> Wire—Ground Used on type No. 0359.	<b>529</b>	<b>67608</b>	Grommet—Breather Tube
<b>337</b>	<b>298809</b>	Plug—Spark (with gasket) (1-1/2" High—37-42 M. M.) Note: Spark Plugs use Ignition Cable Terminal No. 221798.	<b>358</b>	<b>297616</b>	Gasket Set	<b>534</b>	<b>93374</b>	Screw—Air Cleaner Note: <b>63949</b> Stud—Air Cleaner <b>92067</b> Nut—Wing Used on type Nos. 0335, 0346. <b>93547</b> Screw—Air Cleaner Used on type Nos. 0267, 0268, 0298, 0315.
		<b>29693</b> Plug—Spark (with gasket) (2" High—51 M. M.)	<b>372</b>	<b>220477</b>	Clamp—Condenser	<b>534A</b>	<b>93818</b>	Screw—Air Cleaner (Internal)
		<b>293918</b> Plug—Spark (with gasket) (1-1/2" Resistor Type)	<b>375</b>	<b>294628</b>	Breaker Points and Condenser Set Note: <b>299061</b> Ignition Kit Includes: <b>294628</b> Point Set <b>65704</b> Plunger <b>61760</b> Key—Flywheel	<b>535</b>	<b>270067</b>	Element—Air Cleaner Note: <b>270209</b> Element—Air Cleaner Uses: <b>221969</b> Support—Air Cleaner <b>280015</b> Cup—Air Cleaner Used on type Nos. 0267, 0268, 0298, 0315. <b>390492</b> Element—Air Cleaner Uses: <b>221969</b> Support—Air Cleaner <b>390588</b> Cover—Air Cleaner Used on type Nos. 0335, 0346.
<b>340</b>	<b>26018</b>	Spring—Breaker Arm	<b>377</b>	<b>93065</b>	Key—Woodruff No. 6	<b>535A</b>	<b>270979</b>	Element—Air Cleaner
			<b>392</b>	<b>260455</b>	Spring—Fuel Pump Diaphragm			
			<b>394</b>	<b>270026</b>	Diaphragm			
			<b>408</b>	<b>93537</b>	Screw—Sem			
			<b>409</b>	<b>299509</b>	Housing—Speed Control			
			<b>410</b>	<b>260948</b>	Link—Speed Control			
			<b>432</b>	<b>221377</b>	Cap—Spring			
			<b>433</b>	<b>93265</b>	Pin—Diaphragm Cover			
			<b>434</b>	<b>210959</b>	Cover—Diaphragm			



REF. NO.	PART NO.	DESCRIPTION	REF. NO.	PART NO.	DESCRIPTION	REF. NO.	PART NO.	DESCRIPTION
536	297595	Cleaner Assembly—Air	613A	93704	Screw—Muffler Mtg.			400037, 400038,
	<b>Note:</b>	299593 Cleaner Assembly—Air	614	93306	Cotter—Hair Pin			400039, 400040,
		Used on type Nos. 0267, 0268, 0298, 0315.	615	93307	Retainer—E-Ring			400045, 400047,
536A	392368	Cleaner Assy.—Air	616	231076	Crank—Governor (1/4" dia. Shaft) (Used after Code No. 75102806)			400052, 400053,
549	270978	Washer (Below Internal Screw Head)		<b>Note:</b>	230714 Crank—Gov. (3/16" dia. Shaft) (Used before Code No. 75102906)			400054, 400055,
552	231078	Bushing—Gov. Shaft (1/4" I. D.) (Used after Code No. 75102806)	617	270074	Seal—Intake Elbow Tube			400057, 400058,
	<b>Note:</b>	230735 Bushing—Gov. Shaft (3/16" I. D.) (Used before Code No. 75102906)	618	260648	Spring—Choke Return			400059, 400061,
562	92613	Bolt—Governor Lever	619	93380	Screw—Control Plate Mounting			400062, 400063,
592	231082	Nut—Hex. —10-24	620	297548	Plate Assembly—Carburetor Control			400066, 400067,
594	93559	Screw—Blower Housing Mtg. Sem		<b>Note:</b>	297457 Plate Assembly—Carburetor Control			400071, 400081,
608	297259	Starter Assy.—Rewind (10 o'clock)						400083, 400088,
	<b>Note:</b>	297633 Starter Assy.—Rewind (12 o'clock)						400090, 400094,
		Used on type Nos. 0132, 0143, 0161, 0163, 0188, 0196, 0200, 0216, 0218, 0223, 0227, 0240, 0241, 0262, 0263, 0267, 0279, 0284, 0298, 0300, 0312, 0314, 0322, 0325, 0327, 0335, 0338, 0339, 0340, 0347, 0361, 0366, 400029, 400049, 400061, 400096, 400105, 400108.						400099, 400100,
		298027 Starter Assy.—Rewind (8 o'clock)						400101, 400102,
		Used on type No. 0368.						400108.
609	260029	Spring—Throttle Link						391091 Plate Assembly—Carburetor Control
611	391813	Fuel Pipe and Clip Assembly						Used on type No. 0199.
612	296811	Pipe—Fuel (Plastic)				621	297472	Switch—Stop
613	93377	Screw—Muffler Mounting				622	260676	Washer—Spring (Used between cam gear boss and oil slinger bracket)
						623	93838	Screw—Shoulder
						624	297252	Lever—Linkage
						625	297254	Elbow and Tube—Intake
						634	270167	Washer—Throttle Shaft (Felt)
						635	66538	Elbow—Spark
						642	222626	Cover—Air Cleaner
						643	221321	Cup—Air Cleaner
						643A	222594	Cup—Air Cleaner
						645	23513	Bushing—Plunger
						665	296768	Oil Minder
						676	221488	Deflector—Exhaust (Side Outlet)
						676A	221527	Deflector—Exhaust (Direct Outlet)
						676B	222292	Deflector—Exhaust
						681	299060	Needle Valve Kit
						725	221885	Shield—Heat
						851	221798	Terminal—Ignition Cable
						869	211158	Seat—Intake Valve (Standard)
						870	211172	Seat—Exhaust Valve (Standard)
						871	63709	Guide—Exhaust Valve

