

Illustrated Parts List

MODEL SERIES 19, 19-B, 19-FB 19-R6, 19-R6D

TYPE NUMBERS

0010 to 0041
0110 to 0155
706000 to 706059
706300 to 706330
706500 to 706595
706800 to 706843
706975 to 706976

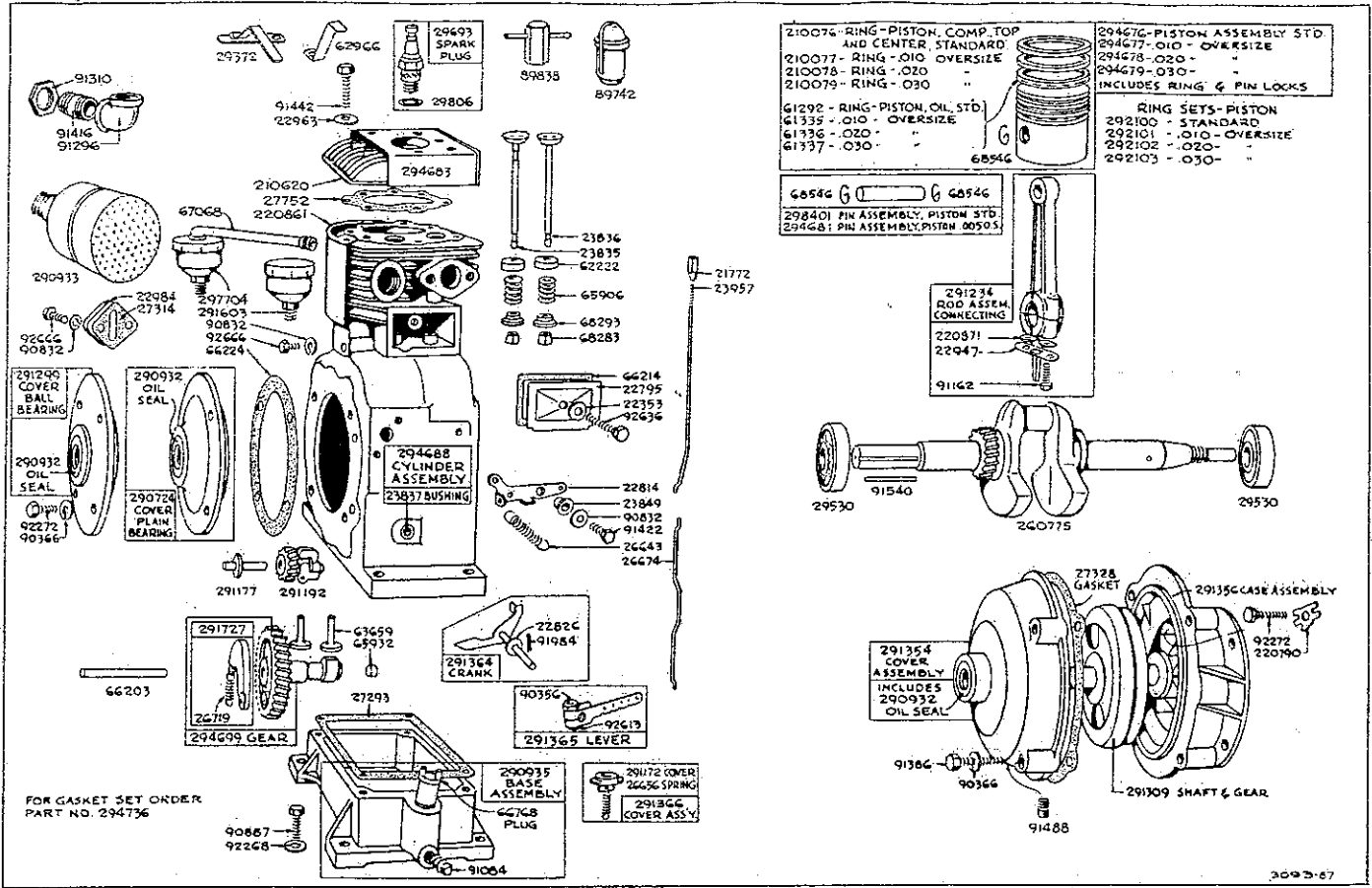
TO FIND

THE CORRECT NUMBER OF THE PART YOU NEED: FOLLOW THE INSTRUCTIONS BELOW.

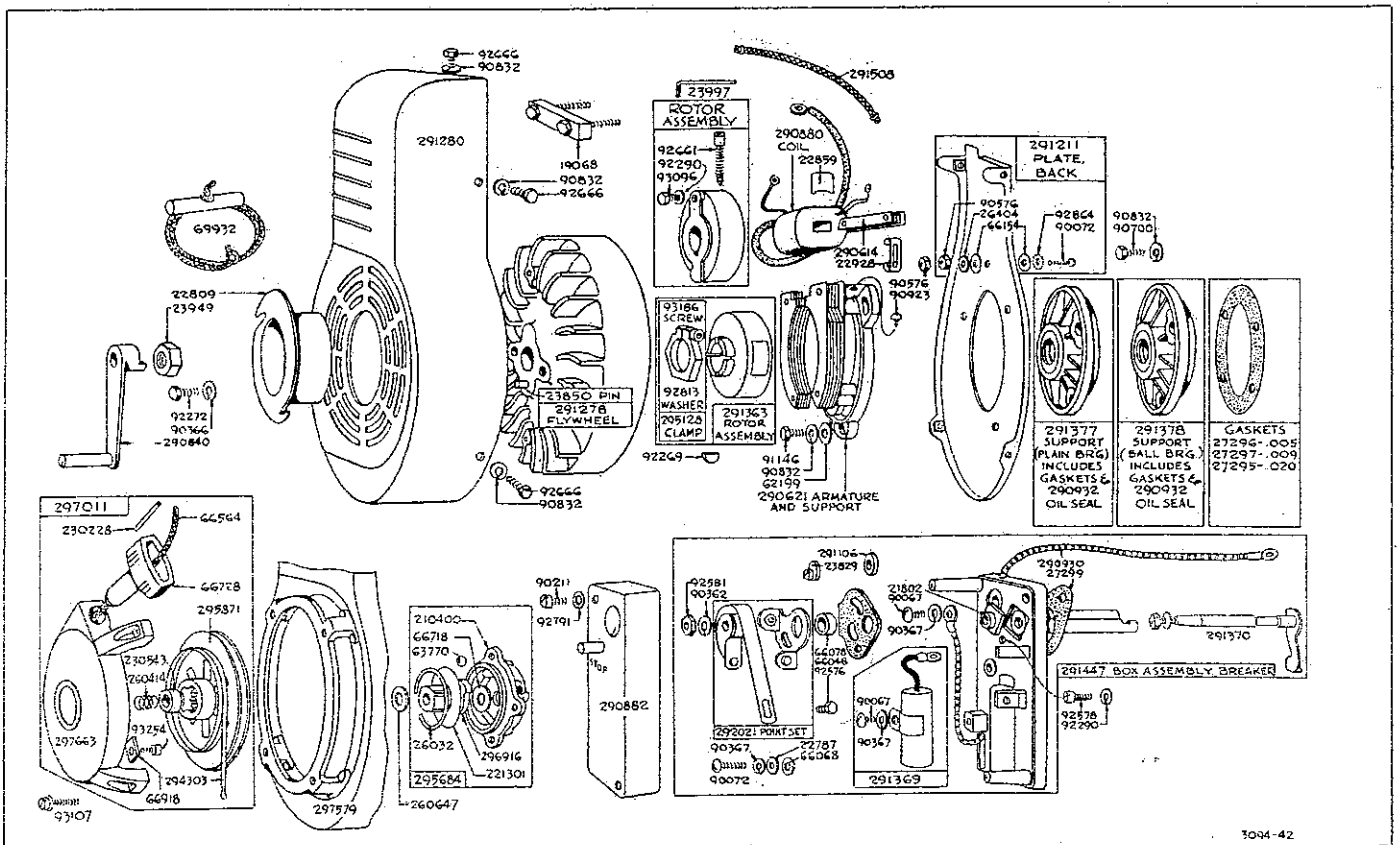
- A. Refer to Engine Model, Type and Serial Number that is stamped on the blower housing or name plate of engine. (Engine type numbers such as 706594 are listed complete. Engine type numbers such as 0147 01 are listed herein only as 0147. The two digits (01 or 02, etc.) to the right of the space are not needed for parts identification). Then use the Illustrated Parts List covering these Model Series.
- B. Refer to Illustrated Parts section and compare the old part with illustration. The number on the illustration is the Reference Number. Assemblies include all parts shown in frames. All parts shown in assembly frames on which individual reference numbers are given can be purchased separately.
- C. After the Reference Number has been identified, refer to the Numerical Parts List, where Reference and Master Part Numbers are listed. **THE MASTER PART IS USED ON ALL TYPE NUMBERS EXCEPT THOSE TYPE NUMBERS UNDER "NOTE"**
- D. If a "Note" appears below the Master Part Number, this means that this part differs from the Master Part for certain types. If the Type Number is listed under "Note", order the part referred to.
- E. If the Engine Type Number does not appear after any part number listed under "Note", use the Master Part Number.
- F. For Type Numbers higher than those covered by this book, please refer to the factory if you are unable to identify the part by comparison.

PRINTED IN U.S.A.

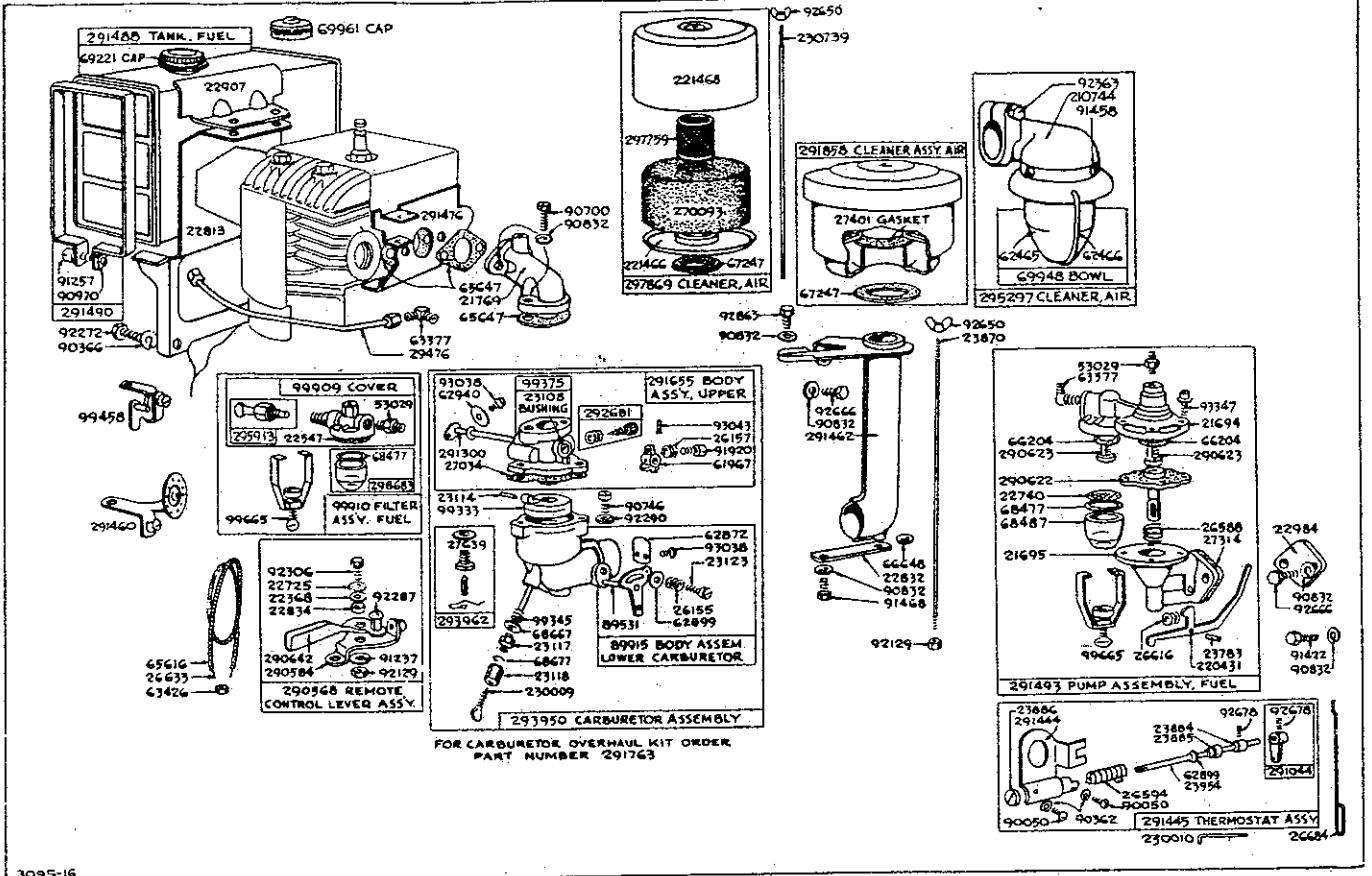




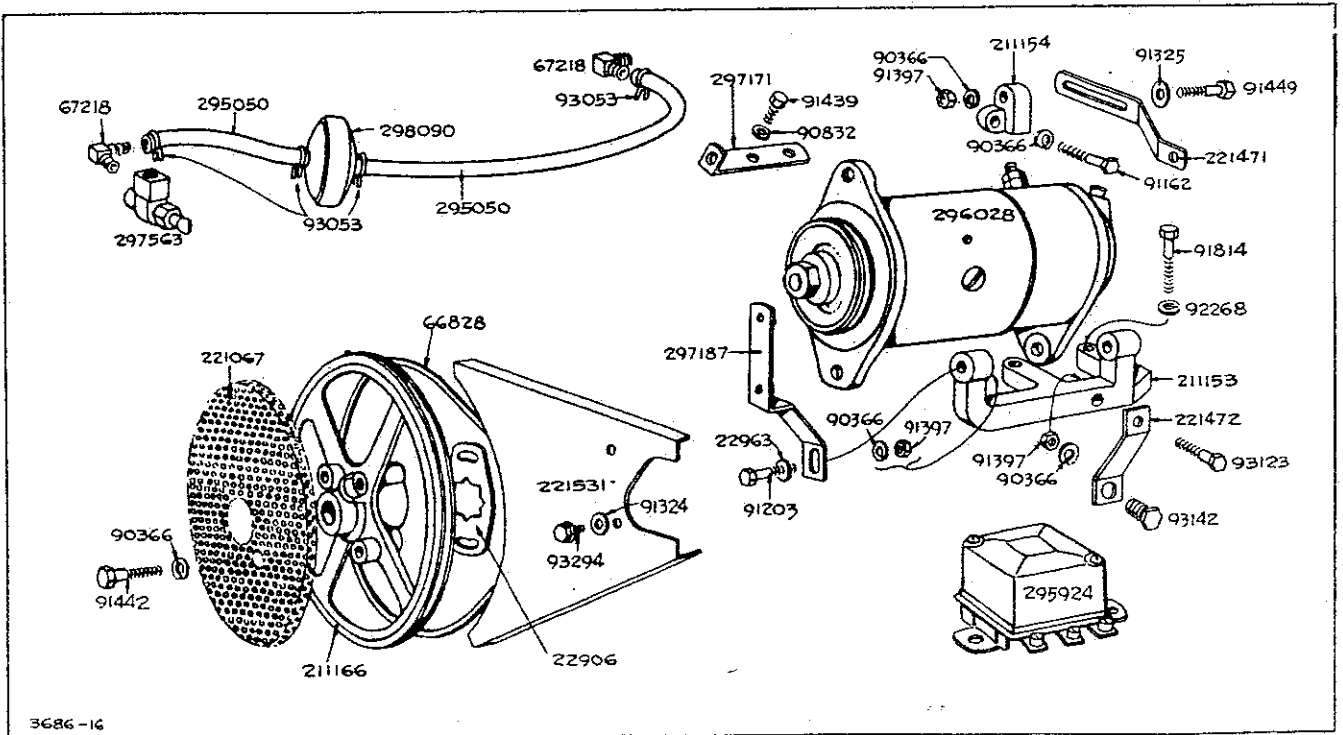
Assemblies include all parts shown in frames.



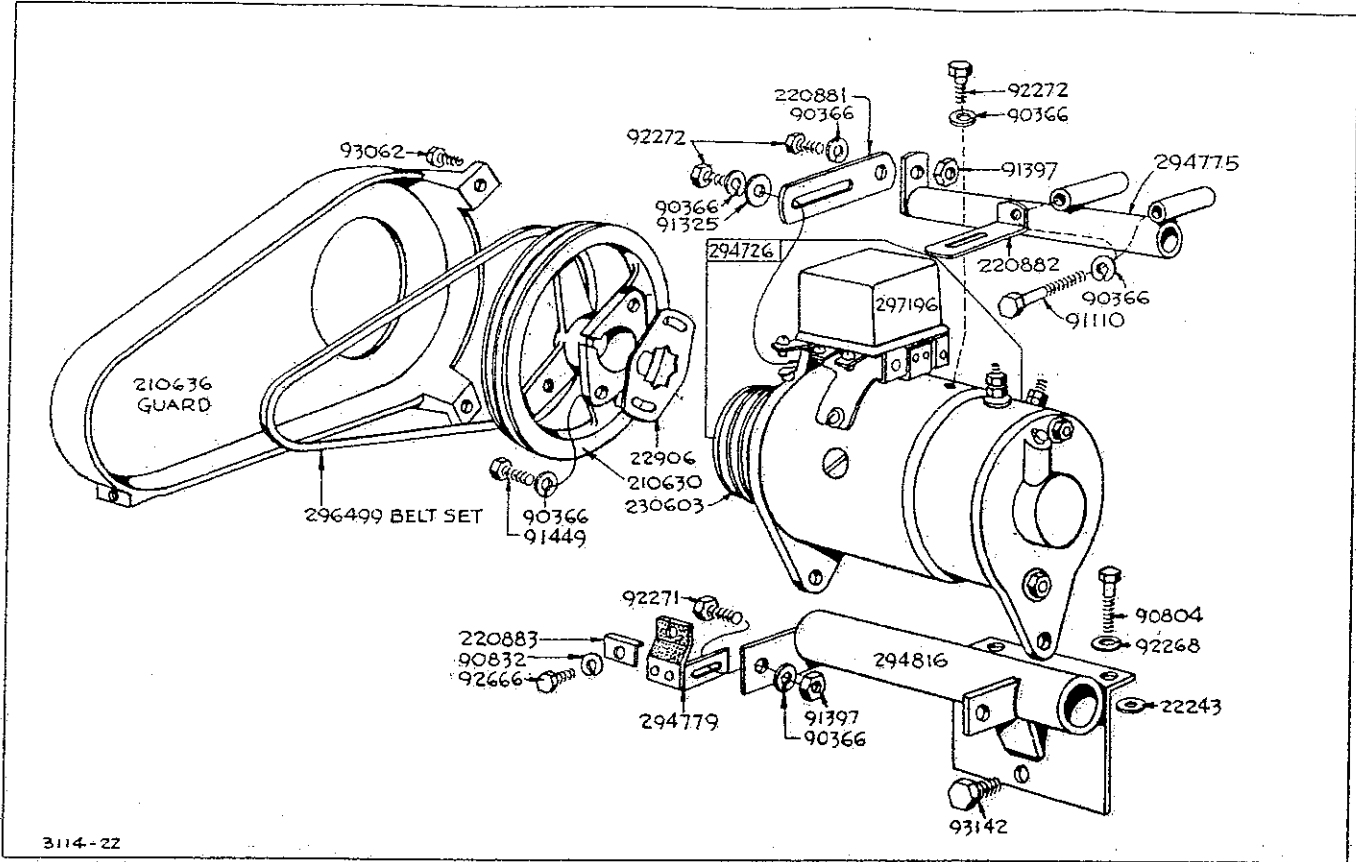
Assemblies include all parts shown in frames.



Assemblies include all parts shown in frames.



Assemblies include all parts shown in frames.



Assemblies include all parts shown in frames.

PART NO.	DESCRIPTION	PART NO.	DESCRIPTION	PART NO.	DESCRIPTION
19068	Puller—Flywheel	Note: 210150	Pulley—Starter Used on type Nos. 0147, 0153, 706549, 706572.	22906	Lock—Flywheel Nut
Note: 21694	Head—Fuel Pump	210737	Pulley—Rope Starter Used on type No. 706313.	22907	Support—Upper Fuel Tank
21695	Body—Fuel Pump	221400	Pulley—Rope Starter Used on type No. 706052.	22928	Clip—Armature Spring
21769	Elbow—Carburetor Intake	22813	Bracket—Fuel Tank	Note: 220244	Clip—Armature Spring Used on type Nos. 0143, 0145, 0146, 0147, 0148, 0153, 706326, 706533, 706581.
21772	Nut—Governor Adjusting	Note: 221435	Bracket	22947	Lock—Connecting Rod Screw
Note: 93384	Nut—Governor Stop (2) Used on type Nos. 0132, 706023, 706028, 706035, 706044, 706047, 706051, 706052, 706053, 706054, 706055, 706321, 706322, 706576, 706584, 706830, 706837.	92272	Screw—Cap, Hex. Hd. 5/16-18 x 3/4 (2)	22963	Washer—Plain
21802	Bushing—Oil Seal Clamp	22963	Washer (2) Used with 22813 Bracket on type No. 706835.	22984	Cover—Fuel Pump Hole
22243	Washer—Bracket Spacer	22814	Lever—Governor Control	23108	Bushing—Throttle Shaft
*22353	Washer—Valve Cover	22826	Washer—Governor Crank	†23114	Pin—Float Hinge
22368	Washer—Control Lever	22832	Strap—Air Cleaner Pipe	†23117	Retainer—Needle Valve
22547	Screen—Fuel Filter	22834	Washer—Spacer	Note: 292226	Retainer Assembly— Jet Needle Used on type Nos. 0122, 0135, 0154, 706014, 706039, 706041, 706042, 706526, 706534, 706550, 706563, 706819.
22725	Washer—Control Lever	22859	Retainer—Coil	†23118	Nut—Needle Valve Packing
22740	Screen—Fuel Pump Filter	Note: 220245	Retainer—Coil Used on type Nos. 0143, 0145, 0146, 0147, 0148, 0153, 706326, 706533, 706581.	23123	Screw—Choke Lever
22787	Washer—Breaker Plate			23783	Pin—Fuel Pump Lever
22795	Cover—Valve				
22809	Pulley—Rope Starter				

* Included in Gasket Set—Part No. 294736.

† Included in Carburetor Overhaul Kit—Part No. 291763.

PART NO. DESCRIPTION	PART NO. DESCRIPTION	PART NO. DESCRIPTION
<p>23829 Eccentric 23835 Valve—Exhaust Note: 26735 Valve—Exhaust Used on type Nos. 0023, 0124, 0132, 0134, 0143, 0145, 0146, 0147, 0148, 0153, 706314, 706323, 706324, 706326, 706327, 706533, 706539, 706568, 706574, 706577, 706581, 706582, 706585, 706586, 706589, 706825, 706830, 706837, 706841.</p>	<p>706023, 706028, 706035, 706044, 706047, 706051, 706052, 706053, 706054, 706055, 706321, 706322, 706576, 706584, 706830, 706837. 23997 Wrench—Socket Hd. Screw 26032 Ring—Clutch Retainer 26155 Spring—Choke Lever †26157 Spring—Throttle Adjustment 26404 Washer—Back Plate Terminal Note: 220282 Washer—Back Plate Terminal Used on type Nos. 0143, 0145, 0146, 0147, 0148, 0153, 706326, 706533, 706581.</p>	<p>Note: 29025 Pipe—Fuel—18" long 89248 Pipe—Fuel—2¼" long 92655 Tee Used on type Nos. 0122, 0135, 0154, 706014, 706039, 706041, 706042, 706526, 706534, 706550, 706563, 706819. 99591 Pipe—Fuel—14-3/4" long Used between carburetor and fuel pump on type Nos. 0142, 0143, 0148, 0151, 706531, 706542, 706567, 706583.</p>
<p>23836 Valve—Intake Note: 23835 Valve Used on type Nos. 0023, 0124, 0132, 0134, 0143, 0145, 0146, 0147, 0148, 0153, 706314, 706323, 706324, 706326, 706327, 706533, 706539, 706568, 706574, 706577, 706581, 706582, 706585, 706586, 706589, 706825, 706830, 706837, 706841.</p>	<p>26588 Spring—Fuel Pump Diaphragm 26594 Thermostat 26616 Spring—Fuel Pump Lever 26633 Wire—Control—78" long Note: If longer wire is required, specify length in inches; if shorter wire is needed, order No. 26633 and cut to required length.</p>	<p>293006 Pipe—Fuel—12" long Used on type Nos. 0139, 0145, 706817, 706818, 706821, 706824, 706828. 293645 Pipe—Fuel 293646 Pipe—Fuel 293059 Cap Assy.—Elbow 292370 Valve—Fuel Shut-Off 92953 Elbow—90° (at lower shut-off valve outlet) 93037 Elbow—90° (between fuel pipe and valve) The above fuel pipes and fittings used between fuel tank and fuel pump on type No. 706539.</p>
<p>23837 Bushing—Governor Crank 23849 Bushing—Control Lever 23850 Pin—Flywheel 23870 Stud—Air Cleaner Note: 230639 Stud—Air Cleaner Used on type Nos. 706035, 706044, 706047, 706053, 706054, 706055. 230740 Stud—Air Cleaner (2) Used on type Nos. 706051, 706052. Uses: 92278 Nut—Hex. —¼-20 90832 Washer—Lock To secure cast air cleaner elbow to stamped steel elbow.</p>	<p>26643 Spring—Governor 26656 Spring—Oil Filler Cover 26674 Link—Throttle 26684 Link—Choke 26719 Spring—Spark Advance †27034 Gasket—Carburetor Body *27293 Gasket—Engine Base *27295 Gasket—Plain or Ball Bearing Support—.020" thick *27296 Gasket—Plain or Ball Bearing Support—.005" thick *27297 Gasket—Plain or Ball Bearing Support—.009" thick *27299 Gasket—Breaker Box 27314 Gasket—Fuel Pump Mounting 27328 Gasket—Gear Case Cover Note: 68247 Gasket—Gear Case Cover Used on type Nos. 0040, 0117, 0121, 706975.</p>	<p>293646 Pipe—Fuel (Flexible) 293059 Cap Assembly—Elbow 292370 Valve—Fuel Shut Off 93037 Elbow—90° (between pipe and valve) 92953 Elbow—90° (at lower shut-off valve outlet) The above fuel pipe and fittings are used between the fuel tank and fuel pump on type No. 706583. 294238 Pipe—Fuel 292523 Cap Assembly—Elbow 292370 Valve—Fuel Shut-Off 92822 Elbow—90° (at lower shut-off valve outlet) The above fuel pipe and fittings are used between the carburetor and fuel tank on type No. 706579.</p>
<p>23884 Stop—Thermostat Shaft 23885 Support—Thermostat Shaft (Inner) 23886 Support—Thermostat Shaft (Outer) 23949 Nut—Flywheel Note: 92799 Nut—Pulley Mounting Used on type Nos. 0147, 0153, 706549, 706572. 230674 Nut—Flywheel Used on type No. 706051.</p>	<p>27401 Gasket—Air Cleaner 27639 Gasket—Fuel Inlet Valve Seat 27752 Gasket—Cylinder Head Note: Two No. 27752 Cylinder Head Gaskets are used on type Nos. 0122, 0135, 0154, 706014, 706039, 706041, 706042, 706526, 706534, 706550, 706563, 706819.</p>	<p>295050 Pipe—Fuel (Flexible) Uses: 93053 Clamps Used on type Nos. 0133, 706028, 706030, 706032,</p>
<p>23954 Shaft—Thermostat 23957 Rod—Governor Control Note: 230039 Rod—Governor Control Used on type Nos. 0132,</p>	<p>29372 Switch—Stop 29476 Pipe—Fuel—13-5/8" long</p>	<p>† Included in Carburetor Overhaul Kit—Part No. 291763.</p>

* Included in Gasket Set—Part No. 294736.

PART NO.	DESCRIPTION	PART NO.	DESCRIPTION	PART NO.	DESCRIPTION
	706044, 706046, 706051, 706052, 706056, 706057, 706535, 706536, 706545, 706546, 706590, 706814, 706836.	62465	Bowl—Air Cleaner		0148, 0151, 0153, 706054, 706055, 706314, 706323, 706326, 706327, 706533, 706539, 706547, 706557, 706563, 706574, 706577, 706581, 706582, 706585, 706586, 706825, 706830, 706837.
	295405 Pipe—Fuel Used on type Nos. 706316, 706317, 706560.	62466	Clamp—Air Cleaner Bowl		
	296004 Pipe—Fuel (Flexible) Uses: 93053 Clamps Used on type Nos. 706040, 706835.	62872	Valve—Choke Note: 22954 Valve—Choke Used on type Nos. 0142, 0143, 0148, 0151, 706027, 706032, 706316, 706317, 706520, 706522, 706531, 706545, 706553, 706560, 706574.		
	296576 Pipe—Fuel Used on type No. 706829.	62899	Washer—Choke Lever and Thermostat		65932 Plug—Cam Shaft
29530	Bearing—Ball (Used only on 19B and 19FB Engines)	62940	Valve—Throttle		66048 Plate—Insulator Note: 66318 Plate—Insulator Used on type Nos. 0143, 0145, 0146, 0147, 0148, 0153, 706326, 706533, 706581.
29693	Plug—Spark (with gasket)	62966	Switch—Stop Note: 220197 Switch—Stop Used on type Nos. 706044, 706323.		66068 Washer—Breaker Plate Insulating Note: 66328 Washer—Breaker Plate Insulating Used on type Nos. 0143, 0145, 0146, 0147, 0148, 0153, 706326, 706533, 706581.
Note:	291954 Plug—Spark (with gasket) Used on type Nos. 0145, 0146, 0147, 0153, 706326, 706533, 706581.	63377	Connector—Fuel Pipe Note: 67218 Connector—Fuel Pipe Used on type Nos. 0022, 0125, 0133, 706028, 706030, 706032, 706035, 706040, 706044, 706046, 706047, 706051, 706052, 706053, 706054, 706055, 706056, 706057, 706535, 706536, 706545, 706546, 706590, 706814, 706826, 706835, 706836.		66078 Bushing—Breaker Plate Pivot Note: 66338 Bushing—Breaker Plate Pivot Used on type Nos. 0143, 0145, 0146, 0147, 0148, 0153, 706326, 706533, 706581.
	293322 Plug—Spark (with gasket) Used on type Nos. 0143, 0148.	92780	Connector—Fuel Pipe (at pump) Used on type Nos. 706539, 706583.		66154 Washer—Back Plate Terminal Note: 66364 Washer—Back Plate Terminal Used on type Nos. 0143, 0145, 0146, 0147, 0148, 0153, 706326, 706533, 706581.
	293918 Plug—Spark (with gasket) Used on type Nos. 706534, 706540, 706564, 706579, 706583.	92800	Elbow—Connector (at carburetor)		66203 Shaft—Cam
29806	Gasket—Spark Plug	93016	Connector—Fuel Pipe (between elbow and fuel pipe) Used on type Nos. 0146, 706579.		66204 Gasket—Fuel Pump Valve
53029	Connector—Fuel Pipe Note: 67218 Connector—Fuel Pipe Used on type Nos. 706028, 706030, 706032, 706035, 706046, 706051, 706056, 706057, 706535, 706536, 706545, 706546, 706590, 706814, 706826, 706835, 706836.	93017	Connector—Fuel Pipe (at carburetor) Used on type Nos. 706533, 706539.		*66214 Gasket—Valve Cover
	93016 Connector—Fuel Pipe Used on type Nos. 0146, 706533, 706539.	63426	Locknut—Control Wire Casing		*66224 Gasket—Crankcase Cover
	93017 Connector—Fuel Pipe Used on type No. 706579.	63659	Tappet—Valve		66564 Rope—Rewind Starter
	230318 Connector—Fuel Pipe Used on type Nos. 0133, 706040, 706044, 706051, 706052.	63770	Ball—Clutch		66648 Gasket—Air Cleaner Stud
61232	Ring—Piston, Oil—Standard	65616	Casing—Control Wire—72" long Note: If longer casing is required, specify length in inches; if shorter casing is needed, order No. 65616 and cut to required length.		66718 Washer—Starter Clutch, Thrust
61335	Ring—Piston, Oil— .010" O.S.	†*65647	Gasket—Intake Elbow		66728 Grip—Starter Rope
61336	Ring—Piston, Oil— .020" O.S.	65906	Spring—Valve Note: 26828 Spring—Exhaust Valve Used on type Nos. 0023, 0124, 0132, 0143, 0145, 0146, 0147,		66768 Plug—Oil Filler Note: 69689 Cap—Oil Filler Uses: 65434 Gasket Used on type No. 706017.
61337	Ring—Piston, Oil— .030" O.S.				89910 Oil Filler Cap and Drain Plug Assembly Uses: 65938 Gasket—Filler Cap Used on type Nos. 0132, 706316, 706317, 706830, 706837.
61967	Stop—Throttle				292495 Oil Filler Cap and Drain Plug Assembly Uses: 65938 Gasket—Filler Cap
62199	Washer—Armature Support Mtg.				
62222	Cup—Valve Spring				

* Included in Gasket Set—Part No. 294736

† Included in Carburetor Overhaul Kit—Part No. 291763

RT	DESCRIPTION	PART NO.	DESCRIPTION	PART NO	DESCRIPTION	
	Used on type Nos 0146, 0148, 0153.		706054, 706055, 706316, 706317, 706520, 706522, 706531, 706545, 706553, 706560, 706574.	90367	5/16 x 1/8 x 1/16" Washer—Lock—No. 8 x 5/64 x 1/32"	
328	Belt—Vee		295374 Shaft and Lever—Choke	Note:	92791 Washer—Lock— Shakeproof	
378	Bumper—Starter Pulley		Used on type Nos. 706035, 706044, 706047, 706051, 706052, 706053, 706321, 706322.		Used to mount condenser on type Nos. 0143, 0145, 0146, 0147, 0148, 706326, 706533, 706561.	
368	Tube—Breather		295800 Shaft and lever Assembly—Choke	90576	Nut—Hex. —8-32	
218	Connector—Fuel Pipe		Includes: 92287 Screw (to attach wire)	Note:	92794 Nut—Hex —8-32 Used on type Nos. 0143, 0145, 0146, 0147, 0148, 0153, 706326, 706533, 706581	
247	Gasket—Air Cleaner Mounting		Used on type No. 706040.	90700	Screw—Cap, Hex Hd — 1/4-20 x 3/4"	
27858	Gasket—Air Cleaner Elbow to Air Cleaner Pipe		Shield Assembly—Spark Plug	90746	Screw—Machine, Fill. Hd — 10-32 x 5/8"	
	Used on type Nos 706051, 706052	89742	Note: 66538 Elbow—Spark Plug Used on type No. 0133.	90804	Screw—Cap, Hex. Hd — 3/8-16 x 1 1/4"	
283	Collar—Valve Spring Retainer		89838 Wrench—Spark Plug	90832	Washer—Lock— 1/4 x 3/32 x 5/64"	
293	Retainer—Valve Spring		89915 Body Assembly—Lower Carburetor	Note:	92778 Washer—Lock— Shakeproof Used to mount blower housing on type Nos 0143, 0145, 0146, 0147, 0148, 0153, 706326, 706533, 706581	
292260	Rotocap—Exhaust Valve		Note: 291472 Body Assembly— Lower Carburetor	90887	Screw—Cap, Hex Hd — 3/8-16 x 1 1/4"	
	Used on type Nos. 0023, 0124, 0132, 0143, 0145, 0146, 0147, 0148, 0151, 0153, 706054, 706055, 706314, 706323, 706326, 706327, 706533, 706539, 706547, 706557, 706568, 706574, 706577, 706581, 706582, 706585, 706586, 706825, 706830, 706837		Used on type Nos. 0142, 0143, 0148, 0151, 706027, 706032, 706316, 706317, 706520, 706522, 706531, 706545, 706553, 706560, 706574.	90923	Screw—Sheet Metal, Rd Hd , Type "A"—No. 6 x 1/4"	
3477	Gasket—Fuel Filter Bowl		295743 Body Assembly— Lower Carburetor	90970	Nut—Square—1/4-20	
3546	Lock—Piston Pin		Used on type No. 706040.	91084	Plug—Pipe—3/8"	
3667	Gasket—Nozzle		295860 Body Assembly— Lower Carburetor	Note:	92542 Plug—Oil Drain Used on type Nos. 0132, 706316, 706317, 706830, 706837.	
3677	Packing—Needle Valve		Used on type Nos. 706035, 706044, 706047, 706051, 706052, 706053, 706054, 706055, 706321, 706322.	92817	Plug—Oil Drain Used on type Nos 0145, 0146, 0147, 0148, 0153, 706574	
9221	Cap—Fuel Tank (Screw-on Type)		296573 Body Assembly— Lower Carburetor	91110	Screw—Cap, Hex. Hd — 5/16-18 x 2 3/4"	
Note:	Fuel Tank Cap used on type Nos. 706047, 706054, 706055, 706326 is supplied by the equipment manufacturer.	90050	Used on type No. 706829.	Note:	92271 Screw—Cap, Hex Hd — 5/16-18 x 1" Used on type Nos. 706040, 706316, 706317, 706322, 706560 to mount bracket to engine	
9932	Rope—Starter		Screw—Machine, Rd. Hd. — 6-32 x 1/4"	91146	Screw—Cap, Hex Hd — 1/4-20 x 7/8"	
Note:	295904 Rope—Starter Used on type Nos. 0124, 706582.	90067	Screw—Machine, Rd Hd. — 8-32 x 5/16"	91162	Screw—Connecting Rod and Anchor Link Mounting	
9948	Body—Air Cleaner		90072	Screw—Machine, Rd. Hd — 8-32 x 5/8"	91203	Screw—Cap, Hex. Hd — 5/16-18 x 1-3/4"
9961	Cap—Fuel Tank (Bayonet Type)		Note: 92786 Screw—Machine, Rd. Hd. —8-32 x 5/8"	91237	Washer—Lock—	
Note:	293026 Cap—Fuel Tank Used on type Nos 0146, 706539.		Used on type Nos. 0143, 0145, 0146, 0147, 0148, 706326, 706533, 706581.			
89531	Shaft and Lever—Choke		90211	Screw—Machine, Fill. Hd. — 8-32 x 3/8"		
Note:	291440 Shaft, Vane and Lever Assembly—Automatic Choke 291776 Lever Assembly— Automatic Choke Includes: 90200 Screw— Machine, Fil Hd — 8-32 x 1/2"		90356	Nut—Hex. —10-24		
	Used on type Nos. 0142, 0143, 0148, 0151, 706027, 706032,		90362	Washer—Lock—No 6 x 3/64 x 1/32"		
			90366	Washer—Lock—		

PART NO.	DESCRIPTION	PART NO.	DESCRIPTION	PART NO.	DESCRIPTION
91257	1/4 x 3/32 x 3/64" Screw—Machine, Fill Hd — 1/4-20 x 1 1/2"	92271	Screw—Cap, Hex. Hd — 5/16-18 x 1"	93254	Screw—Pulley Bumper Mtg. Sem
91296	Elbow—90°—Exhaust Pipe Note: 91308 Elbow, 90° Street, Exhaust Pipe Used on type No. 706040. 91415 Elbow, 45°— Exhaust Pipe Used on type Nos. 706313, 706323. 92130 Elbow, 45° Street, Exhaust Pipe Used on type No. 706835.	92272	Screw—Cap, Hex. Hd. — 5/16-18 x 3/4"	93347	Screw—Fuel Pump Head Mounting Sem
91310	Locknut—Muffler Nipple	Note: 91442 Screw—Cap, Hex. Hd.— 5/16-18 x 2 1/4" 230705 Spacer Used to mount starter pulley on type No. 706052.	99333	Float—Carburetor	
91324	Washer—Belt Guard Mounting	92287	Screw—Machine, Rd. Hd. — 10-32 x 1/4"	†99345	Nozzle—Carburetor
91325	Washer—Bracket to Generator Mounting	92290	Washer—Lock— No. 10 x 1/16 x 3/64" Note: 92813 Washer—Lock— Shakeproof Used to mount breaker box on type Nos. 0143, 0145, 0146, 0147, 0148, 0153, 706326, 706533, 706581.	99375	Body—Upper Carburetor Note: 297382 Body—Upper Carb. Used on type Nos. 706035, 706044, 706047, 706053, 706054, 706055, 706321, 706322.
91386	Screw—Gear Case Cover (2" long) Note: 92279 Screw—Gear Case Cover (1 1/2" long) Used on type Nos. 0040, 0117, 0121, 706975.	92306	Screw—Cap, Hex. Hd. — 1/4-28 x 5/8"	99458	Idling Device Uses: 91146 Screw—Cap, Hex. Hd. —1/4-20 x 7/8" for mounting to intake elbow.
91397	Nut—Hex. 5/16-18	92363	Screw—Cap, Hex. Hd. — 1/4-20 x 1 3/8"	99665	Yoke Assembly—Fuel Filter
91416	Nipple—Exhaust Pipe	92576	Screw—Machine, Hex. Hd. — 8-32 x 3/16"	99909	Cover Assembly—Fuel Filter Note: 21145 Cover—Fuel Filter Used on type No. 706579. Uses: 91635 Connector between shut-off valve and filter.
91422	Screw—Cap, Hex. Hd. — 1/4-20 x 5/8"	92578	Screw—Breaker Box Mounting	293896	Cover Assembly—Fuel Filter Used on type Nos. 0146, 706533.
91439	Screw—Cap, Hex. Hd. — 1/4-20 x 3/8"	92581	Nut—Hex. —6-40	295798	Cover Assembly—Fuel Filter Used on type No. 706551.
91442	Screw—Cylinder Head and Pulley Mounting (2 1/4" long) Note: 93358 Screw—Cap, Hex Hd. — 5/16-18 x 3 1/2" (2) 230705 Spacer (2) Used on type No. 706835.	92613	Bolt—Governor Lever	296005	Cover Assembly—Fuel Filter Used on type Nos. 706040, 706044.
91449	Screw—Pulley and Bracket Mounting Note: 92909 Screw—Pulley Mtg. Used on type Nos. 706316, 706317.	92636	Screw—Cap, Hex. Hd. — 1/4-20 x 2"	296019	Cover Assembly—Fuel Filter Used on type Nos. 706035, 706826, 706835.
91458	Screw—Parker Kalon— No. 7 x 1/2"	92650	Nut—Wing	297563	Outlet—Fuel Tank (Less Filter) Used on type Nos. 0133, 706030, 706032, 706046, 706051, 706052, 706056, 706057, 706535, 706536, 706545, 706546, 706590, 706814, 706836.
91468	Screw—Cap, Hex. Hd. — 1/4-20 x 3/8"	92661	Screw—Rotor Set (Socket Hd.)	99910	Filter Assembly—Fuel Note: 293541 Filter Assembly—Fuel Used on type No. 706579. 293895 Filter Assembly—Fuel Used on type Nos. 0146, 706533. 295977 Filter Assembly—Fuel Used on type Nos. 706035, 706826, 706835. 295984 Filter Assembly—Fuel
91488	Plug—Oil Drain	92666	Screw—Cap, Hex. Hd. — 1/4-20 x 1/2"		
91540	Key—Pulley Mounting	92678	Screw—Set, Socket Hd. — 6-32 x 5/16"		
91814	Screw—Cap, Hex. Hd. — 3/8-16 x 2"	92791	Washer—Lock—Shakeproof No. 1208		
91920	Screw—Machine, Fill Hd. — 8-32 x 5/8"	92813	Washer—Lock—Shakeproof No. 1210-06		
91984	Pin—Cotter—1/16 x 1/2" long	92863	Screw—Self Tapping, Hex. Hd. —1/4-20 x 5/8"		
92129	Nut—Hex. —1/4-28	92864	Washer—Lock—Shakeproof		
92268	Washer—Lock— 3/8 x 1/8 x 3/32"	93038	Screw—Choke and Throttle Valve Mounting Sem		
92269	Key—Woodruff No. 9	93043	Pin—Throttle Lever		
		93053	Clamp—Fuel Pipe		
		93062	Screw—Guard Mounting		
		93096	Screw—Rotor Screw Locking		
		93107	Screw—Rewind Starter Housing Mounting Sem		
		93123	Screw—Cap, Hex. Hd. Use Part No. 93546.		
		93142	Screw—Bracket to Base Mtg.		
		93186	Screw—Cap, Socket Head		
		93294	Screw—Guard Mounting Sem		

† Included in Carburetor Overhaul Kit—
Part No. 291763.

DESCRIPTION	PART NO.	DESCRIPTION	PART NO.	DESCRIPTION
Used on type Nos. 706040, 706044.	†230009	Valve--Needle		Used on type Nos. 0115, 0124, 0150, 706513, 706521, 706522, 706525, 706527, 706533, 706534, 706538, 706540, 706541, 706543, 706544, 706553, 706558, 706564, 706571, 706574, 706577, 706579, 706581, 706582, 706591
298090 Filter--Fuel (In Fuel Pipe)	Note:	230085 Valve--Needle		260771 Crankshaft
Used on type Nos. 0022, 0125, 0133, 706030, 706032, 706046, 706051, 706052, 706056, 706057, 706535, 706536, 706545, 706546, 706590, 706814.		Used on type Nos. 0122, 0135, 0154, 706014, 706039, 706041, 706042, 706526, 706534, 706550, 706563, 706819.		Used on type Nos. 0030, 0116, 0129, 0131, 0132, 0134, 0139, 0140, 0141, 0145, 0149, 706810, 706814, 706816, 706817, 706818, 706819, 706820, 706821, 706822, 706823, 706824, 706825, 706826, 706827, 706828, 706829, 706830, 706831, 706832, 706833, 706834, 706835, 706836, 706837, 706838, 706840, 706841, 706842.
5 Ring--Piston, Comp., Top and Center, Std. (3/32" thick)	230010	Wrench--Socket Screw		260784 Crankshaft
7 Ring--Piston, Comp., Top and Center, .010" O.S. (3/32" thick)	230228	Pin--Starter Grip		Used on type Nos. 0040, 0117, 0121, 706975.
8 Ring--Piston, Comp., Top and Center, .020" O.S. (3/32" thick)	230543	Adapter--Ratchet Spring		260787 Crankshaft
9 Ring--Piston, Comp., Top and Center, .030" O.S. (3/32" thick)	230603	Pulley--Starter--Generator (2 Groove)		Used on type Nos. 706530, 706532.
10 Housing--Rewind Starter	Note:	Delco-Remy No. 1945744		260788 Crankshaft
20 Head--Cylinder		For Single Groove Pulley order No. 296182 (Delco-Remy No. 1943222)		Used on type No. 706323
30 Pulley--Vee Belt Starter	230739	Stud--Air Cleaner (Used with No. 297869 Air Cleaner)		260789 Crankshaft
210702 Pulley--Vee Belt Starter	Note:	230768 Stud--Air Cleaner		Used on type Nos. 0023, 0142, 0143, 0148, 0151, 706524, 706529, 706539, 706542, 706568, 706573, 706583.
Used on type Nos. 706316, 706317.		Used on type Nos. 706035, 706044, 706047, 706053, 706054, 706055.		260790 Crankshaft
36 Guard--Belt	260414	Spring--Ratchet		Used on type Nos. 0144, 706040.
e: 210657 Guard--Belt	260647	Spacer (Used between end of ratchet and starter pulley)		260791 Crankshaft
Used on type Nos. 706040, 706560.				Used on type Nos. 0146, 706316, 706317, 706560, 706567.
44 Elbow--Air Cleaner	260775	Crankshaft		260793 Crankshaft
e: 61371 Elbow--Air Cleaner	Note:	260509 Crankshaft		Used on type Nos. 706033, 706038
Used on type Nos. 706316, 706317.		Used on type Nos. 0152, 706562.		260794 Crankshaft
153 Bracket--Lower Starter		260767 Crankshaft		Used on type Nos. 0147, 0153.
154 Anchor--Link		Used on type Nos. 0020, 0112, 0122, 0130, 0136, 0154, 706510, 706536, 706550, 706552, 706555, 706556, 706559, 706585, 706587.		260797 Crankshaft
166 Pulley--Electric Starter		260768 Crankshaft		Used on type Nos. 706313, 706321, 706554.
431 Lever--Fuel Pump		Used on type Nos. 0021, 0022, 0113, 0123, 0126, 0127, 0133, 0135, 0137, 0138, 706310, 706311, 706312, 706314, 706320, 706322, 706324, 706325, 706326, 706327, 706329, 706511, 706520, 706523, 706526, 706528, 706535, 706537, 706545, 706551, 706561, 706563, 706565, 706566, 706570, 706575, 706576, 706580, 706584, 706586, 706587, 706588, 706590, 706592, 706593, 706594.		260798 Crankshaft
790 Lock--Screw				Used on type No. 706569
861 Shield--Cylinder		260769 Crankshaft		260800 Crankshaft
871 Dipper--Connecting Rod		Used on type Nos. 706512, 706547, 706557.		Used on type Nos. 706548, 706549, 706572.
881 Link--Adjusting		260770 Crankshaft		
882 Strap--Tie				
883 Clamp--Guard Bracket				
067 Screen--Electric Starter				
301 Washer--Retainer				
1466 Base--Air Cleaner				
1468 Cover--Air Cleaner				
ote: 297556 Cover--Air Cleaner				
Used on type Nos. 706051, 706052.				
1471 Strap--Adjusting				
1472 Brace--Bracket				
1531 Guard--Belt				

Included in Carburetor Overhaul Kit - Part No. 291763.

PART NO.	DESCRIPTION	PART NO.	DESCRIPTION	PART NO.	DESCRIPTION
	260803 Crankshaft Used on type No. 706051.		0147, 0148, 0153, 706316, 706317, 706830, 706837.		Note: 294144 Housing—Blower Used on type Nos. 0146, 0148.
270093	Element—Air Cleaner		294180 Base Assy.—Engine Uses: 92469 Nipple		294742 Housing Assy.—Blower Used on type Nos. 0133, 706011, 706013, 706021, 706026, 706039, 706054, 706055, 706311, 706313, 706323, 706520, 706528, 706532, 706537, 706551, 706563, 706569.
290568	Lever Assembly—Control Note: 93062 Screw—Sem Used to mount control lever on type Nos. 0129, 0134, 0139, 0141, 706312, 706323, 706576, 706584, 706820, 706821, 706823, 706831, 706838, 706841.		Used on type Nos. 706017, 706312. 294503 Base Assy.—Engine Uses: 93202 Nipple 93204 Cap—Pipe, 3/8" 230497 Nut—Lock Used on type Nos. 706023, 706028, 706834.		294755 Housing—Blower Used on type Nos. 706040, 706316, 706317, 706560. 294783 Housing—Blower Used on type Nos. 706022, 706027, 706322. 295194 Housing—Blower Used on type Nos. 706033, 706321, 706554. 296683 Housing—Blower Used on type No. 706038. Engines using this blower housing are equipped with a Model 475-106KB rewind starter, made and serviced by Fairbanks Morse & Co., Beloit, Wisconsin. 297237 Housing—Blower (with bracket mounting holes on side of housing for part 297171 illustrated on plate 3686-16) Used on type Nos. 0022, 0125, 706022, 706027, 706028, 706030, 706032, 706040, 706052, 706056, 706057, 706535, 706536, 706545, 706546, 706590, 706814, 706829, 706836.
290584	Base—Control Lever		294757 Base Assy.—Engine Used on type Nos. 0022, 0125, 0152, 706022, 706027, 706030, 706032, 706046, 706056, 706057, 706545, 706546, 706562, 706590, 706814, 706829, 706836.		297574 Base Assy.—Engine Used on type Nos. 706051, 706052.
290614	Core—Coil Note: 292319 Core—Coil Used on type Nos. 0143, 0145, 0146, 0147, 0148, 0153, 706326, 706533, 706581.		291044 Lever Assembly—Thermostat		
290621	Armature and Support Assy. Note: 292318 Armature and Support Assembly Used on type Nos. 0143, 0145, 0146, 0147, 0148, 0153, 706326, 706533, 706581.		291106 Seal—Oil		
290622	Diaphragm—Fuel Pump		291172 Cover—Oil Filler		
290623	Valve—Fuel Pump		291177 Shaft—Governor Gear		
290642	Lever—Control		291192 Gear Assembly—Governor		
290724	Cover Assembly—Crankcase		291211 Plate Assembly—Back Note: 293201 Plate Assy.—Back Includes: 92786 Screw—Machine, Rd. Hd.—8-32 x 5-8" 92794 Nut—Hex. 8-32 92864 Washer—Lock— Shakeproof Used on type Nos. 0143, 0145, 0146, 0147, 0148, 0153, 706326, 706533, 706581.		
290840	Crank—Starting		291234 Rod Assembly—Connecting		
290880	Coil—Magneto (includes ignition cable) Note: 293013 Coil—Magneto Used on type Nos. 0143, 0145, 0146, 0147, 0148, 0153, 706326, 706533, 706581.		291278 Flywheel Assembly Note: 294743 Flywheel Assembly Uses: 220804 Screen—Blower 220803 Support— Blower Screen 230397 Spacer (4) 93125 Screw (4) 67632 Washer—Plain (4) Used on type Nos. 0133, 706011, 706013, 706021, 706022, 706026, 706027, 706039, 706051, 706311, 706313, 706322, 706323, 706520, 706528, 706532, 706537, 706551, 706563, 706569.		Note: for blower housing with holes in front face for mounting No. 210636 Guard, illustrated on plate 3114-22, to above type numbers, except Nos. 706022 and 706027, order No. 294755. For type Nos. 706022 and 706027 order part No. 294783.
290882	Cover—Breaker Note: 292397 Cover—Breaker Used on type Nos. 0143, 0145, 0146, 0147, 0148, 0153, 706326, 706533, 706581.				
290930	Lead—Primary Note: 293197 Lead—Primary Used on type Nos. 0143, 0145, 0146, 0147, 0148, 0153, 706326, 706533, 706581.				
290932	Seal—Oil (Use Part No. 298423)				
290933	Muffler Note: 291519 Muffler Used on type Nos. 0132, 0150, 706012, 706013, 706040, 706323, 706541, 706545, 706574, 706575, 706579, 706583, 706837.				
290935	Base Assembly—Engine Note: 21897 Base—Engine Uses: 89859 Nipple—Oil Filler Used on type Nos. 0132, 0146,		291280 Housing Assembly—Blower		

PART NO	DESCRIPTION	PART NO	DESCRIPTION	PART NO.	DESCRIPTION
	0121, 706975 Includes: 22723 Shim—.003" thick 22724 Shim—.010" thick 292466 Shaft Assy—Drive Used on type Nos. 0139, 706818, 706821, 706824, 706826, 706828, 706835.	297589 Pipe Assembly—Air Cleaner 211159 Elbow—Air Cleaner (cast aluminum) Used on type Nos. 706051, 706052.		291508 Shielding Assembly—Ignition Cable Note: 293195 Shielding Assembly— Ignition Cable Includes: 292412 Elbow—Spark plug Cable Uses: 26487 Clamp—Shielding 66298 Bushing—Spark Plug Terminal 92704 Terminal—Spark Plug 92864 Washer—Lock (Shielding Lead) 92794 Nut Hex (Shielding Lead) 220509 Clip— Shield Support Used on type Nos. 0143, 0145; 0146, 0147, 0148, 0153, 706326, 706533, 706581	
291354	Cover Assembly—Gear Case Note: 290574 Cover Assembly— Gear Case Used on type Nos. 0040, 0117, 0121, 706975 Includes: 22723 Shim—.003" thick 22724 Shim—.010" thick 63899 Cup—Bearing 69858 Seal—Oil	291476 Guide—Front Air 291488 Tank Assy.—Fuel (6 Quart) Note: Fuel tank used on type Nos. 0142, 706047, 706054, 706055, 706326 is supplied by the equipment manufacturer 290816 Tank Assembly—Fuel (4 Quart) Used on type Nos. 0121, 0124, 0131, 0133, 0134, 0135, 0139, 0147, 0153, 706017, 706029, 706044, 706051, 706052, 706056, 706551, 706569, 706582, 706820, 706821, 706824, 706841. 291513 Tank Assembly— Combination Fuel (6 Quart) Used on type Nos. 0122, 0135, 0154, 706014, 706029, 706041, 706042, 706526, 706534, 706550, 706563, 706819. 292415 Tank Assembly—Fuel (8 Quart) Used on type Nos. 0123, 0149, 0150, 706040, 706327, 706524, 706527, 706566, 706570, 706574, 706584, 706828, 706832. 293024 Tank Assembly—Fuel (8 Quart) Uses: 92958 Plug—Drain 293007 Strainer—Fuel Used on type No. 706539. 293600 Tank Assembly—Fuel (6 Quart) Uses: 92958 Plug—Drain 293007 Strainer—Fuel Used on type No. 0146.		291655 Body Assy.—Upper Carburetor Note: 296723 Body Assembly— Upper Carburetor Used on type No. 706829. 297392 Body Assembly— Upper Carburetor Used on type Nos. 706035, 706044, 706047, 706053, 706054, 706055.	
291356	Case Assembly—Gear Note: 291676 Case Assy.—Gear Used on type Nos. 0040, 0117, 0121, 706975. Includes: 63382 Cup—Bearing 230012 Pin—Washer Retainer 220064 Washer—Thrust	291490 Strap Assembly—Fuel Tank Note: 291367 Strap Assy.—Fuel Tank Used on type Nos. 0121, 0124, 0131, 0133, 0134, 0135, 0139, 0147, 0153, 706017, 706029, 706044, 706051, 706052, 706551, 706569, 706582, 706820, 706821, 706824, 706841.		291727 Weight—Spark Advance 291763 Carburetor Overhaul Kit 291858 Cleaner Assembly—Air 292021 Point Set—Breaker 292100 Ring Set—Standard Piston (3/32" thick) 292101 Ring Set—.010" O. S. Piston (3/32" thick) 292102 Ring Set—.020" O. S. Piston (3/32" thick) 292103 Ring Set—.030" O. S. Piston (3/32" thick) 292681 Valve Assy.—Carburetor Idle 293950 Carburetor Assembly Note: 291427 Carburetor Assembly Used on type Nos. 0023, 706524, 706529, 706539, 706542, 706567, 706568, 706573, 706583 292106 Carburetor Assembly Used on type Nos. 0122, 0135, 0154, 706014, 706039, 706041, 706042, 706526, 706534, 706550, 706563, 706819 294805 Carburetor Assembly Used on type Nos. 706027,	
291363	Rotor Assembly				
291364	Crank Assembly—Governor				
291365	Lever Assembly—Governor				
291366	Cover Assembly—Oil Filler Note: 69689 Cap—Oil Filler Used on type No. 706017. Uses: 65434 Gasket				
291369	Condenser Note: 292227 Condenser Used on type Nos. 0143, 0145, 0146, 0147, 0148, 0153, 706326, 706533, 706581.				
291370	Shaft Assembly—Breaker				
291377	Support Assy.—Plain Bearing				
291378	Support Assy.—Ball Bearing				
291444	Tube Assy.—Thermostat				
291445	Thermostat Assembly				
291447	Box Assy.—Breaker Note: 293222 Box Assy.—Breaker Used on type Nos. 0143, 0145, 0146, 0147, 0148, 0153, 706326, 706533, 706581.				
291460	Control Assy.—Throttle				
291462	Pipe Assy.—Air Cleaner Note: 296036 Pipe Assy.—Air Cleaner Used on type Nos. 706035, 706044, 706047, 706053, 706054, 706055				

† Included in Carburetor Overhaul Kit—
Part No. 291763.

PART NO.	DESCRIPTION	PART NO.	DESCRIPTION	PART NO.	DESCRIPTION
	706032, 706520, 706522, 706545, 706553, 706574. 294940 Carburetor Assembly Used on type Nos. 0142, 0143, 0148, 0151, 706316, 706317, 706531, 706560. 295799 Carburetor Assembly Used on type No. 706040. 296135 Carburetor Assembly Used on type Nos. 706051, 706052, 706321, 706322. 296724 Carburetor Assembly Used on type No. 706829. 297385 Carburetor Assembly Used on type Nos. 706035, 706044, 706047, 706053, 706054, 706055.		Service of both units see your nearest "Authorized Delco- Remy Service Station of United Motors." 294736 Gasket Set 294775 Bracket—Upper Starter Note: 295025 Bracket—Upper Starter Used on type Nos. 706040, 706316, 706317, 706322, 706560. 294779 Bracket—Guard Note: 294807 Bracket—Guard Used on type Nos. 706040, 706560. 294816 Bracket—Lower Starter Note: 295026 Bracket—Lower Starter Used on type Nos. 706040, 706316, 706317, 706322, 706560. 295050 Pipe—Fuel (Flexible) 12" long 295128 Clamp Assembly—Rotor 295297 Cleaner Assembly—Air Note: 69947 Cleaner Assy.—Air Used on type Nos. 706316, 706317. 295684 Clutch Assy.—Rewind Starter 295871 Pulley—Rewind Starter 295913 Valve—Fuel Shut-off (Used on engines after Serial No. 598608) Note: 23699 Nut—Fuel Shut-off Lever 23933 Lever—Fuel Shut-off Lever 27145 Packing—Fuel Shut-off Lever Used on engines before Serial No. 598609. 293934 Valve—Fuel Shut-off Used in tank outlet on type Nos. 0133, 706028, 706030, 706032, 706046, 706051,		706052, 706056, 706057, 706535, 706536, 706545, 706546, 706590, 706814, 706836. 295924 Regulator—Voltage (Delco-Remy No. 1118988) For service on this unit see your Nearest "Authorized Delco-Remy Service Station of United Motors". 296028 Starter—Generator (Delco-Remy No. 1101968) Uses: 296182 Pulley (Single Groove) Delco-Remy No. 1943222 For service on this unit see your Nearest "Authorized Delco-Remy Service Station of United Motors". 296499 Belt—Vee (Consists of matched set of 2) Note: 296500 Belt—Vee (Consists of matched set of 2) Used on type Nos. 706040, 706316, 706317, 706560. 296916 Ratchet—Rewind Starter Clutch 297011 Starter Assembly—Rewind 297171 Bracket Assembly—Support 297187 Bracket—Guard 297196 Regulator—Voltage (Delco-Remy No. 1119577) 297298 Filter—Fuel (Use Part No. 298090) 297563 Outlet—Fuel Tank 297579 Housing—Blower (For Rewind Starter) 297663 Housing—Rewind Starter 297704 Breather (for vent tube) (Used after Serial No. 660115) Note: 291603 Breather (Used before Serial No. 660116) 297759 Screen—Air Cleaner 297869 Cleaner Assembly—Air 298090 Filter—Fuel 298401 Pin Assy.—Piston—Std. 298683 Bowl—Fuel Filter
† 293962	Valve and Seat—Fuel Inlet				
294303	Spring—Rewind Starter				
294676	Piston Assembly—Standard				
294677	Piston Assembly—.010" O.S.				
294678	Piston Assembly—.020" O.S.				
294679	Piston Assembly—.030" O.S.				
294681	Pin Assy.—Piston—.005" O.S.				
294683	Cover—Cylinder Head				
294688	Cylinder				
Note:	295014 Cylinder Used on type Nos. 0023, 0124, 0132, 0134, 0143, 0145, 0146, 0147, 0148, 0153, 706314, 706323, 706324, 706326, 706327, 706533, 706539, 706568, 706574, 706577, 706581, 706582, 706585, 706586, 706589, 706825, 706830, 706837, 706841.				
294699	Gear—Cam				
294726	Starter—Generator (Delco-Remy No. 1101971)				
Note:	Includes Voltage Regulator Delco-Remy No. 1119577 — For				

† Included in Carburetor Overhaul Kit—
Part No. 291763.