

104700 to 104799

Illustrated Parts List Vanguard Model Series 104700 to 104799

Non-Compliance

TYPE NUMBERS
0101, 0102,
0110 through 0125
0127,
4003 through 4007
4024, 4025, 4044,
4045.

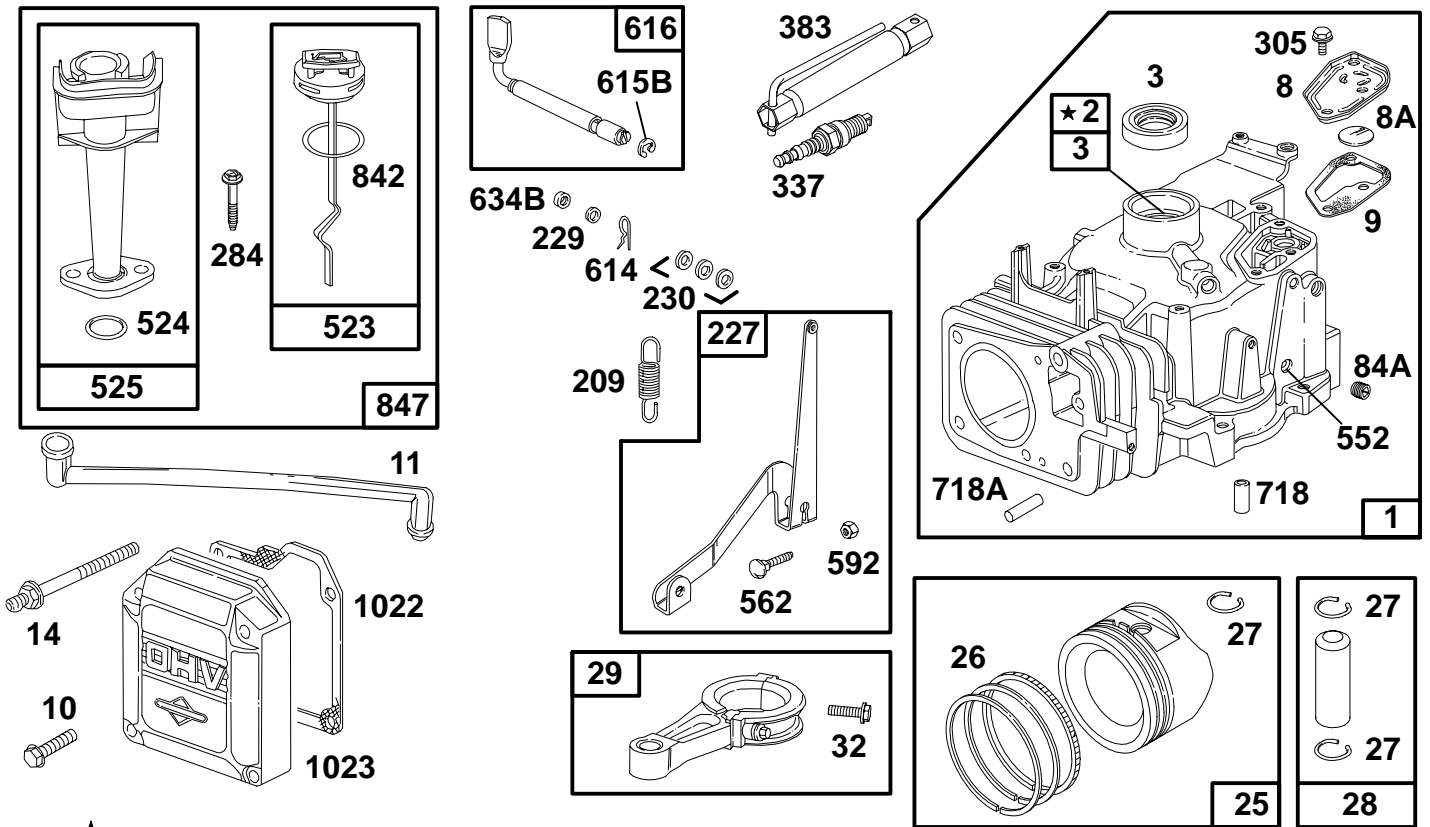
Compliance

TYPE NUMBERS
3101, 3102, 3112.

**TO FIND
THE CORRECT NUMBER OF THE PART YOU NEED:
FOLLOW THE INSTRUCTIONS BELOW**

- A. Refer to Engine Model, Type and Code Number that is stamped on the blower housing of engine. Engine type numbers such as 0123 01 are listed only as 0123 in most instances. The two digits (01 or 02, etc.) to the right of the space may be required for more accurate parts identification in some instances. Select the Illustrated Parts List covering the correct Model Series and Type Number.
- B. Refer to the Illustrations and compare the original part with Illustration. The number next to the illustration is the Reference Number. Assemblies include all parts shown in frames. All parts shown in assembly frames having individual reference numbers can be purchased separately.
- C. After the Reference Number has been identified, refer to the Numerical text, where Reference and Primary Part Number are listed. **THE PRIMARY PART IS USED ON ALL TYPE NUMBERS EXCEPT THOSE TYPE NUMBERS UNDER "NOTE."**
- D. If a "Note" appears below the Primary Part Number, it means that this part differs from the Primary Part for certain types. If your Type number is listed under "Note," order the part referred to at the "Note."
- E. If your Engine Type Number does not appear after any part number listed under "Note," use the Primary Part Number.
- F. For Engine Type Numbers not covered by this book, check other Parts Lists having the same engine model or contact your source of supply.

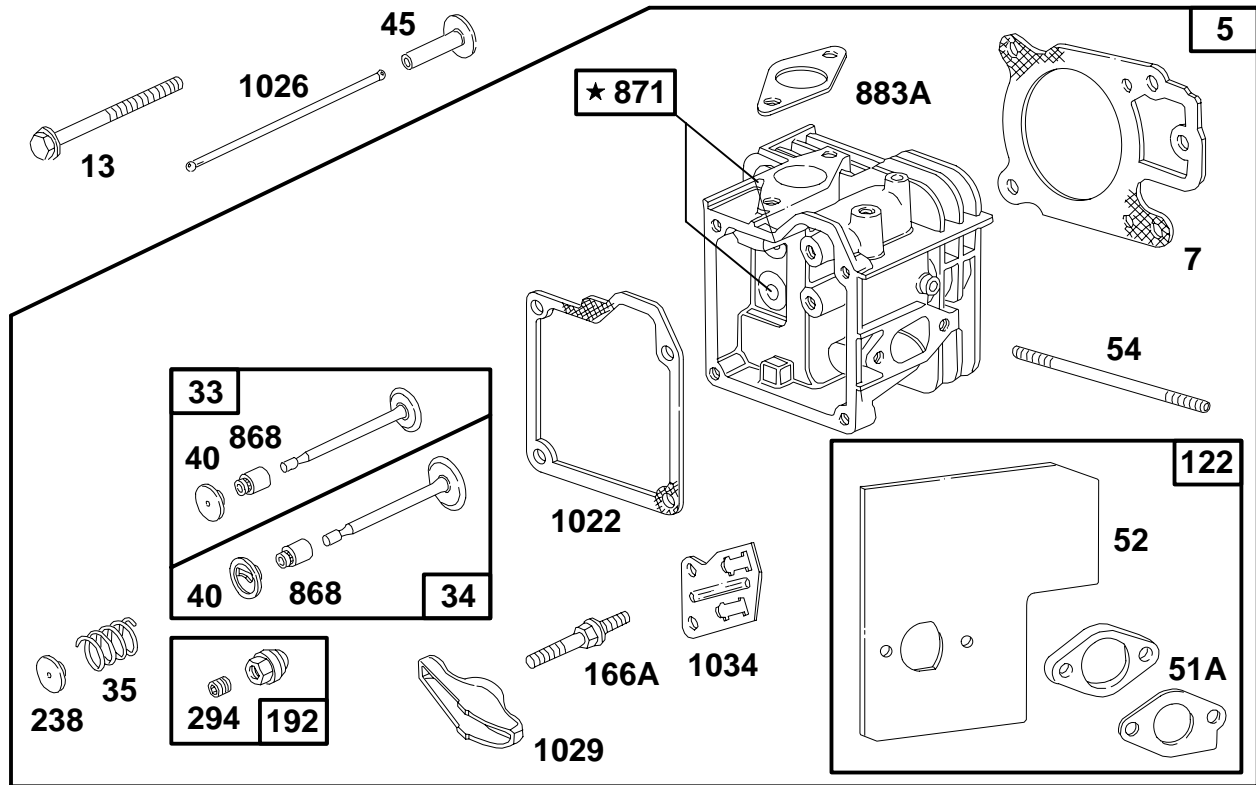
104700 to 104799



★ REQUIRES SPECIAL TOOLS TO INSTALL. SEE REPAIR INSTRUCTION MANUAL.

REF. NO.	PART NO.	DESCRIPTION	REF. NO.	PART NO.	DESCRIPTION	REF. NO.	PART NO.	DESCRIPTION
1	492741	Cylinder Assembly	27	262514	Lock-Piston Pin	383	19374	Wrench-Spark Plug
2	492761	Bushing & Seal-Cyl.	28	492765	Pin Assy.-Piston	523	492737	Dipstick-Oil Filler
3	★399781	Seal-Oil	29	493204	Rod Assy.-Conn.	524	★280892	Seal-Filler Tube
8	224144	Cover-Breather		Note:	For Connecting Rod With .020" Undersize Crank Pin Bore-Order No. 493205.	525	492736	Tube-Oil Filler
8A	66434	Disc-Breather	32	810050	Screw-Conn. Rod	552	231632	Bushing-Gov. Crank
9	★272161	Gasket-Breather	84A	93448	Plug-Pipe (1/4-18 NPTF)	562	810043	Bolt-Gov. Lever
10	810050	Screw-Rocker Arm Cover	209		Spring-Governor	592	810011	Nut-Gov. Lever
11	280889	Tube-Breather		See Last Pages.		614	93306	Pin-Cotter
14	94436	Stud-Cylinder Head	32	810050	Screw-Conn. Rod	615B	93307	Ring-Retaining (Governor Crank)
25		Piston Assy. (Std.)	227	492159	Lever Assembly-Gov.	616	492164	Crank-Governor
		See Last Pages.	229	810018	Washer-Gov. Crank (1 Required)	634B	★491323	Seal-Oil (Governor Crank)
		PISTON RING SETS	230	94742	Washer-Gov. Crank (3 Required)	718	231589	Pin-Cylinder
26	492766	Ring Set-Piston (Std.)	284	810077	Screw-Oil Fill Tube	718A	230192	Pin-Cylinder
	492883	Ring Set-Piston (.010" Oversize)	284	810077	Screw-Oil Fill Tube	842	★280393	Seal-Tube
	492884	Ring Set-Piston (.020" Oversize)	305	810037	Screw	847	492735	Dipstick & Tube Assy.
	492885	Ring Set-Piston (.030" Oversize)	337	491055	Plug-Spark	1022	★272131	Gasket-Rocker Arm Cover
						1023	213522	Cover-Rocker Arm

★ Included in Gasket Set-Part No. 492872.



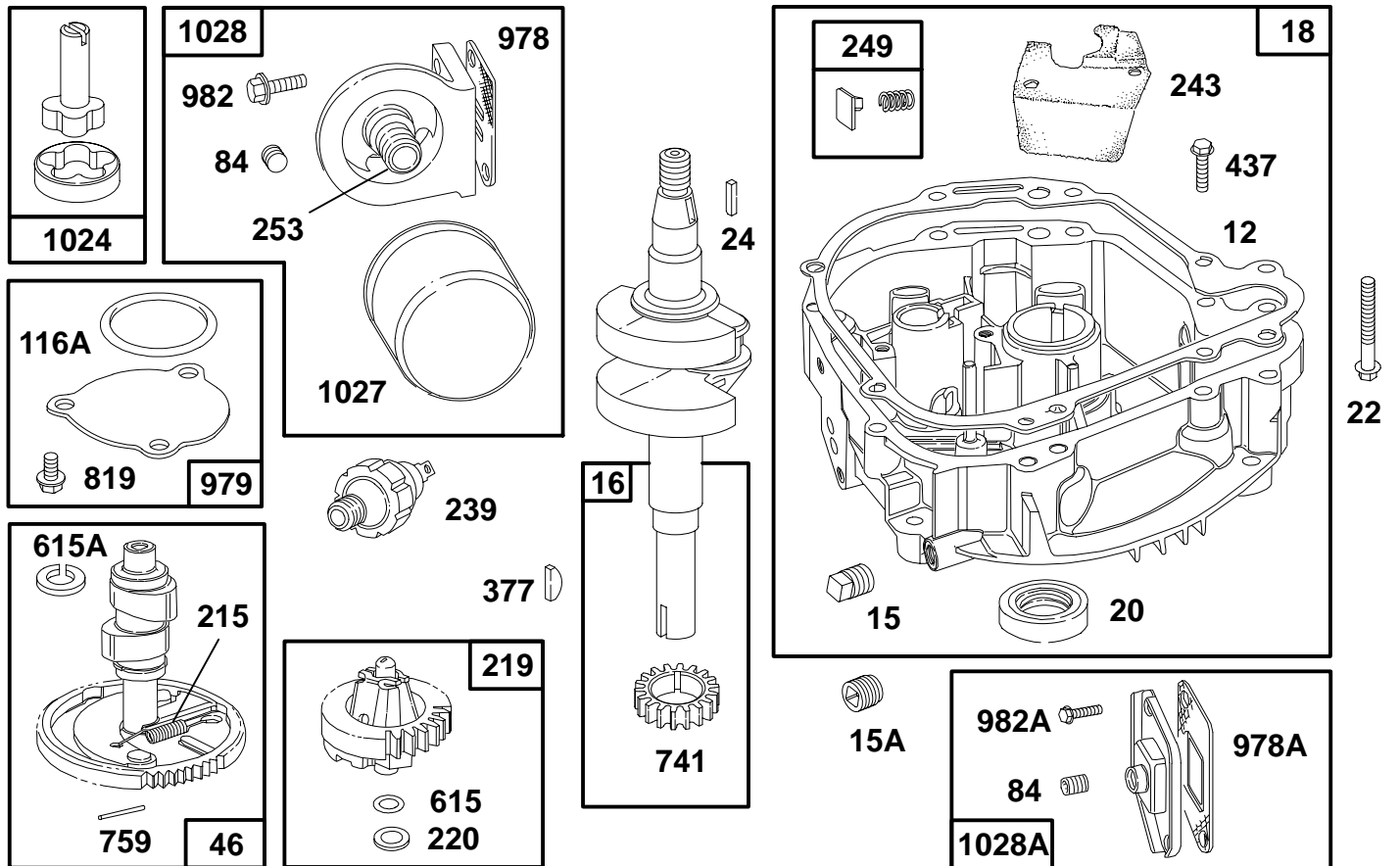
★ REQUIRES SPECIAL TOOLS TO INSTALL. SEE REPAIR INSTRUCTION MANUAL.

REF. NO.	PART NO.	DESCRIPTION	REF. NO.	PART NO.	DESCRIPTION	REF. NO.	PART NO.	DESCRIPTION
5	492782	Head-Cylinder	54	94438	Stud-Carburetor Mtg.	883A	★272130	Gasket-Exhaust (Elbow To Head)
7	★272133	Gasket-Cylinder Head	122	492866	Adapter & Gasket Assy (Carburetor Mtg.)	1022	★272131	Gasket-Rocker Arm Cover
13	94426	Screw-Cylinder Head	166A	94437	Stud-Rocker Arm	1026	492042	Rod-Push
33	492770	Valve-Exhaust	192	492160	Ball & Screw Assy.-Rocker Arm	1029	224111	Arm-Rocker
34	492769	Valve-Intake	238	262499	Cap-Valve	1034	224205	Guide-Push Rod
35	262550	Spring-Valve	294	810068	Screw-Set (Valve Adj.)			
40	262552	Retainer-Valve Spring	868	★491020	Seal-Valve Stem			
45	262521	Tappet-Valve	871	262378	Bushing-Valve Guide (Exhaust or Intake)			
51A	★◆○272160	Gasket-Adapter to Carburetor						
52	★◆○272159	Gasket-Adapter to Cylinder						

★ Included in Gasket Set-Part No. 492872.
 ○ Included in Carburetor Overhaul Kit-Part No. 494248.

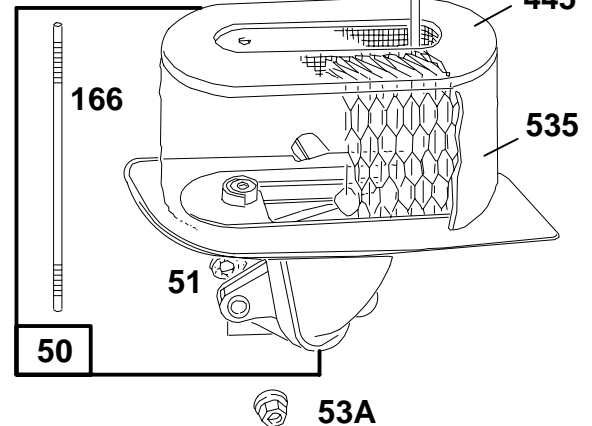
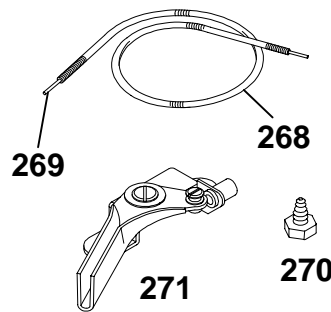
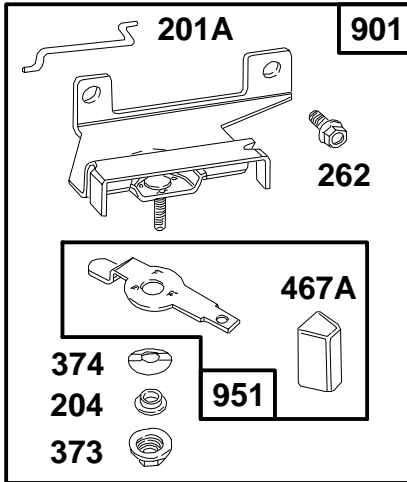
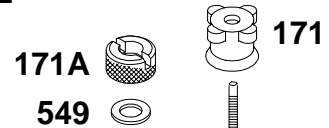
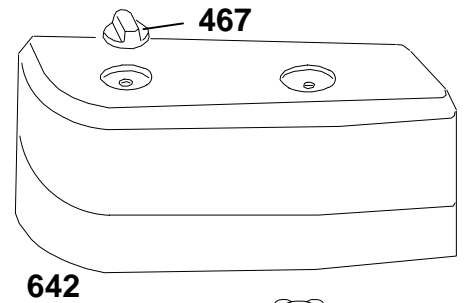
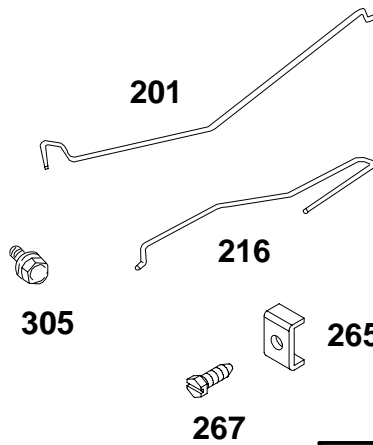
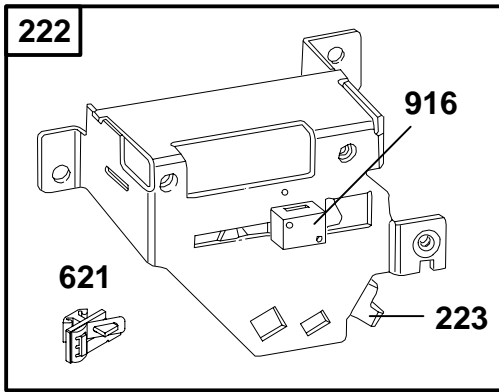
◆ Included in Carburetor Overhaul Kit-Part No. 492487.
 ◆ Included in Carburetor Gasket Set-Part No. 492482.

104700 to 104799



REF. NO.	PART NO.	DESCRIPTION	REF. NO.	PART NO.	DESCRIPTION	REF. NO.	PART NO.	DESCRIPTION	
12	★272132	Gasket—Engine Base		Note: 262568	Spring—Cam Release (Yellow)		Note: 94399	Ring—Retaining (Used Before Code Date 91031800).	
15	94239	Plug—Oil Drain			(Used Before Code Date 90111800).	741	262515	Gear—Timing	
15A	93418	Plug—Oil Drain (Socket Head)		219	492752	Gear—Governor	759	94447	Pin—Spring (Pump Drive)
16		Crankshaft		220	221551	Washer—Gov. Gear	819	810082	Screw—Pump Cover
		See Last Pages.		239	491657	Switch—Oil Pressure	978	★272169	Gasket—Oil Filter Adapter
18	492760	Base Assembly—Engine (Sump)		243	224208	Screen—Oil Pump	978A	★272158	Gasket—Filter Bypass Cover
20	★399781	Seal—Oil		249	492758	Valve—Pressure Relief	979	492756	Cover—Oil Pump
22	810076	Screw—Engine Base		253	231573	Nipple—Oil Filter	982	810069	Screw—Filter Adapter
24	222698	Key—Flywheel		377	94329	Key—Woodruff	982A	810039	Screw—Filter Bypass Cover
46	492004	Gear—Cam		437	810080	Screw—Screen Mtg.	1024	492165	Oil Pump Assembly
84	94379	Plug—Pipe (1/8–27 NPTF)		615	93555	Ring—Retaining (Governor Gear)	1027	492932	Filter—Oil
116A	★280891	O-Ring (Oil Pump Cover)		615A	94653	Ring—Retaining (Compression Release)	1028	492738	Adapter & Oil Filter
215	262808	Spring—Cam Release (Red) (Used After Code Date 90111900).			(Used After Code Date 91031700).	1028A	492305	Cover—Oil Filter Bypass	

★ Included in Gasket Set—Part No. 492872.

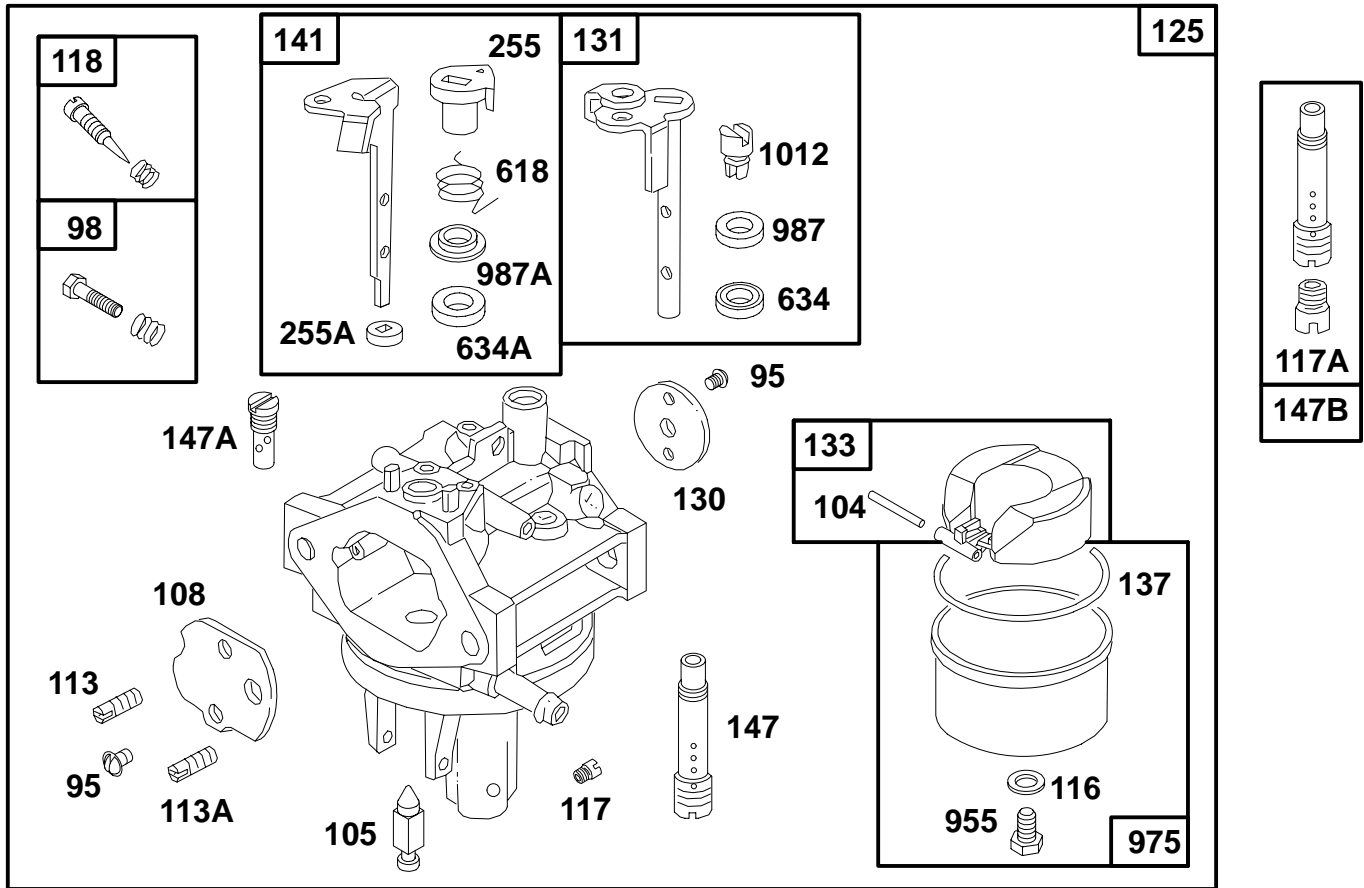


REF. NO.	PART NO.	DESCRIPTION	REF. NO.	PART NO.	DESCRIPTION	REF. NO.	PART NO.	DESCRIPTION
50	492150	Elbow Assy.-Intake	223	492867	Lever-Control (Includes Rivet & Bushing)	374	94502	Washer-Speed Control Lever
51★◆○	272162	Gasket-Intake Elbow	262	810080	Screw-Hex. Hd.	445	491950	Cartridge-Air Cleaner
53A	810078	Nut-Hex.	265	221535	Clamp-Casing	467	491875	Knob-Air Cleaner
166	94448	Stud-Air Cleaner	267	93496	Screw-Casing Clamp	467A	280715	Knob-Speed Control Lever
171	280888	Nut-Air Cleaner	268		Casing-Control Wire	535	493206	Element-Air Cleaner
171A	231691	Nut-Air Cleaner	269		Wire-Control	549	94249	Washer-Air Cleaner
201	262537	Link-Governor	270	63426	Locknut-Control Wire Casing	621	396847	Switch-Stop
201A	262635	Link-Manual Speed Cont.	271	290568	Lever Assy.-Control	642	280879	Cover-Air Cleaner
204	231690	Bushing-Lever	305	810037	Screw	901	492891	Bracket Assy.-Speed Control
216	262538	Link-Choke	373	810070	Nut-Speed Control Lever	916	280324	Gear-Rack
222	492099	Bracket-Governor Control				951	492878	Lever Assy.-Manual Speed Control

★ Included in Gasket Set-Part No. 492872.
 ○ Included in Carburetor Overhaul Kit-Part No. 494248.

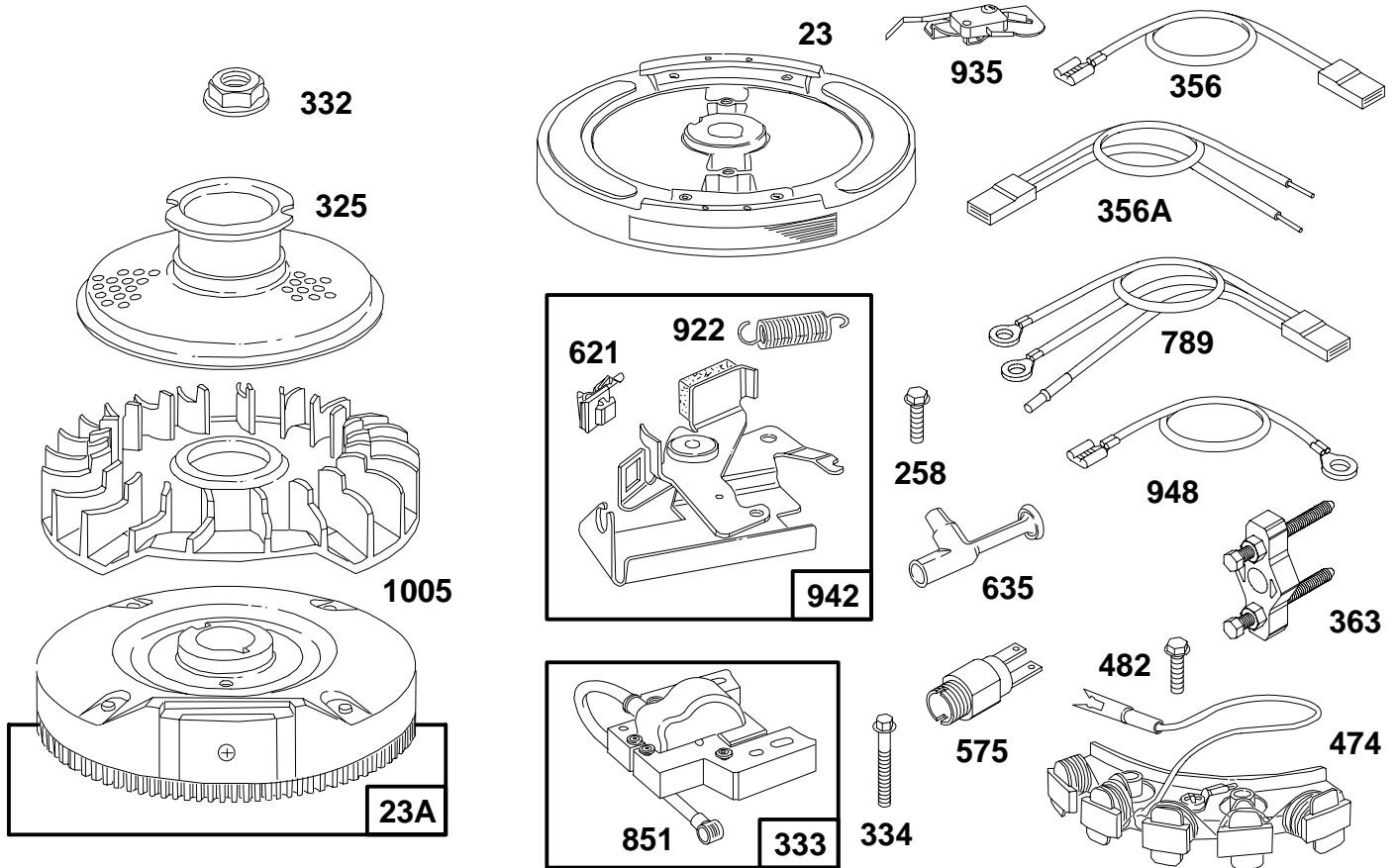
◆ Included in Carburetor Overhaul Kit-Part No. 492487.
 ◆ Included in Carburetor Gasket Set-Part No. 492482.

104700 to 104799



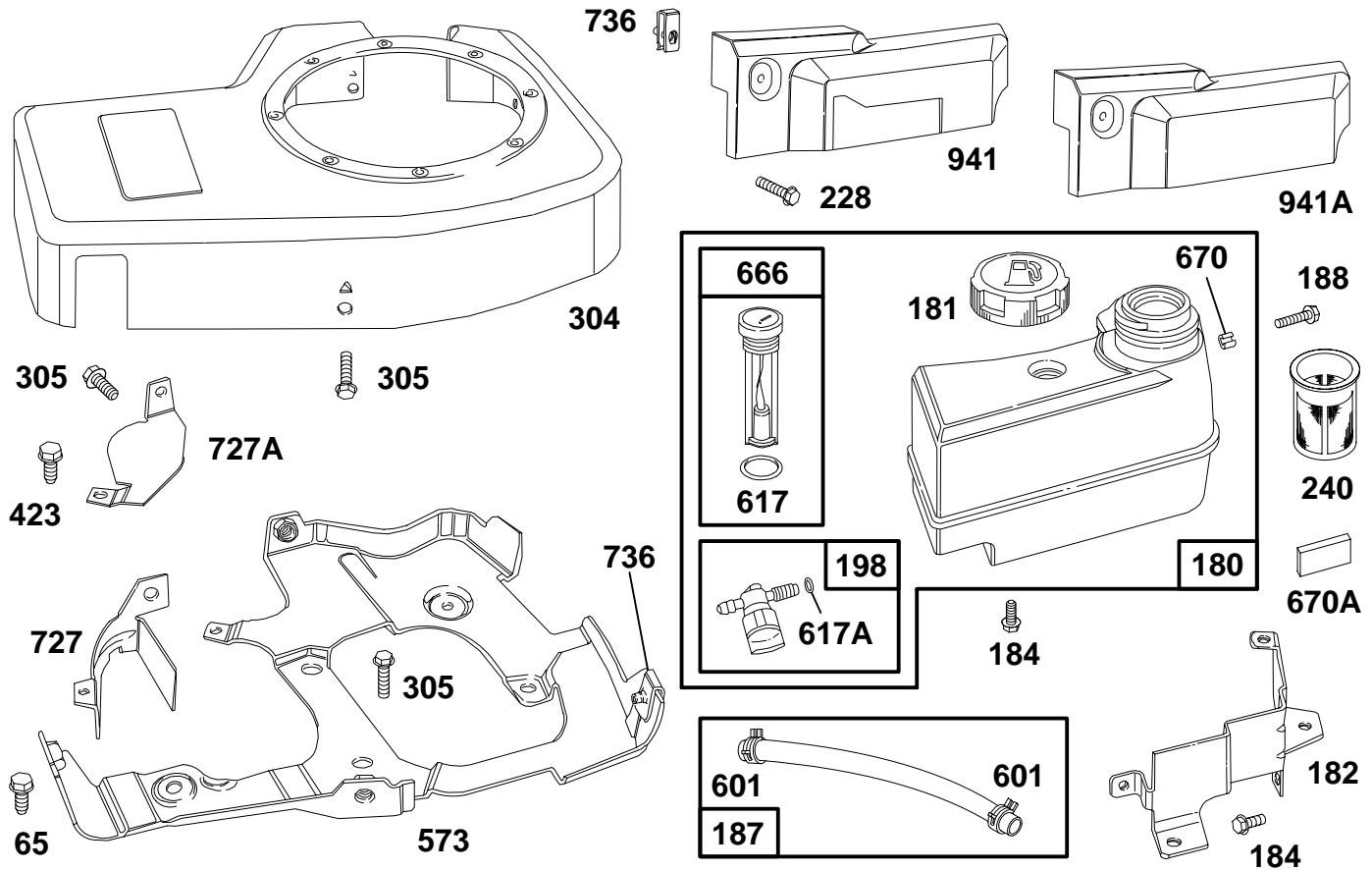
REF. NO.	PART NO.	DESCRIPTION	REF. NO.	PART NO.	DESCRIPTION	REF. NO.	PART NO.	DESCRIPTION	
95	94457	Screw—Throttle & Choke Valve Mtg.	117	○231738	Jet—Main (Side Jet)	141	492485	Shaft Assy.—Choke	
98	492481	Screw & Spring Assy.—Idle Speed		Note:	231739	Jet—Main (High Altitude) (Used After Code Date 90042800).	147	○231737	Nozzle—Main Jet (Used After Code Date 90042800).
104	○●231642	Pin—Float Hinge	117A	●231645	Jet—Main (Bottom Jet)	147A	○●231644	Nozzle—Pilot Jet	
105	○●492186	Valve—Fuel Inlet Needle		Note:	231668	Jet—Main (High Altitude) (Used Before Code Date 90042900).	147B	●492488	Nozzle—Main Jet (Used Before Code Date 90042900).
108	224209	Valve—Choke	118	○●492277	Valve Assy.—Carburetor Idle	255	○●280958	Retainer—Choke Shaft (Upper)	
113	○●231689	Nozzle—Carburetor (Idle Air Bleed)	125	492480	Carburetor Assembly	255A	○●280910	Retainer—Choke Shaft (Lower)	
113A	○●231647	Nozzle—Carburetor (Main Well Air Bleed)	130	224211	Valve—Throttle	618	262560	Spring—Choke Shaft	
116	◆○●272187	Gasket—Carburetor Bowl Screw	131	492484	Shaft Assy.—Throttle	634	○◆492172	Seal—Throttle Shaft	
			133	492483	Float Assy.—Carburetor	634A	○◆272184	Seal—Choke Shaft	
			137	◆○●272188	Gasket—Carburetor Bowl	955	94456	Screw—Bowl Mtg.	
						975	492486	Bowl Assy.—Carburetor	
						987	○◆280912	Washer—Throttle Shaft	
						987A	224214	Washer—Choke Seal	
						1012	280861	Retainer—Throttle Link	

- Included in Carburetor Overhaul Kit—Part No. 494248.
- Included in Carburetor Overhaul Kit—Part No. 492487.
- ◆ Included in Carburetor Gasket Set—Part No. 492482.



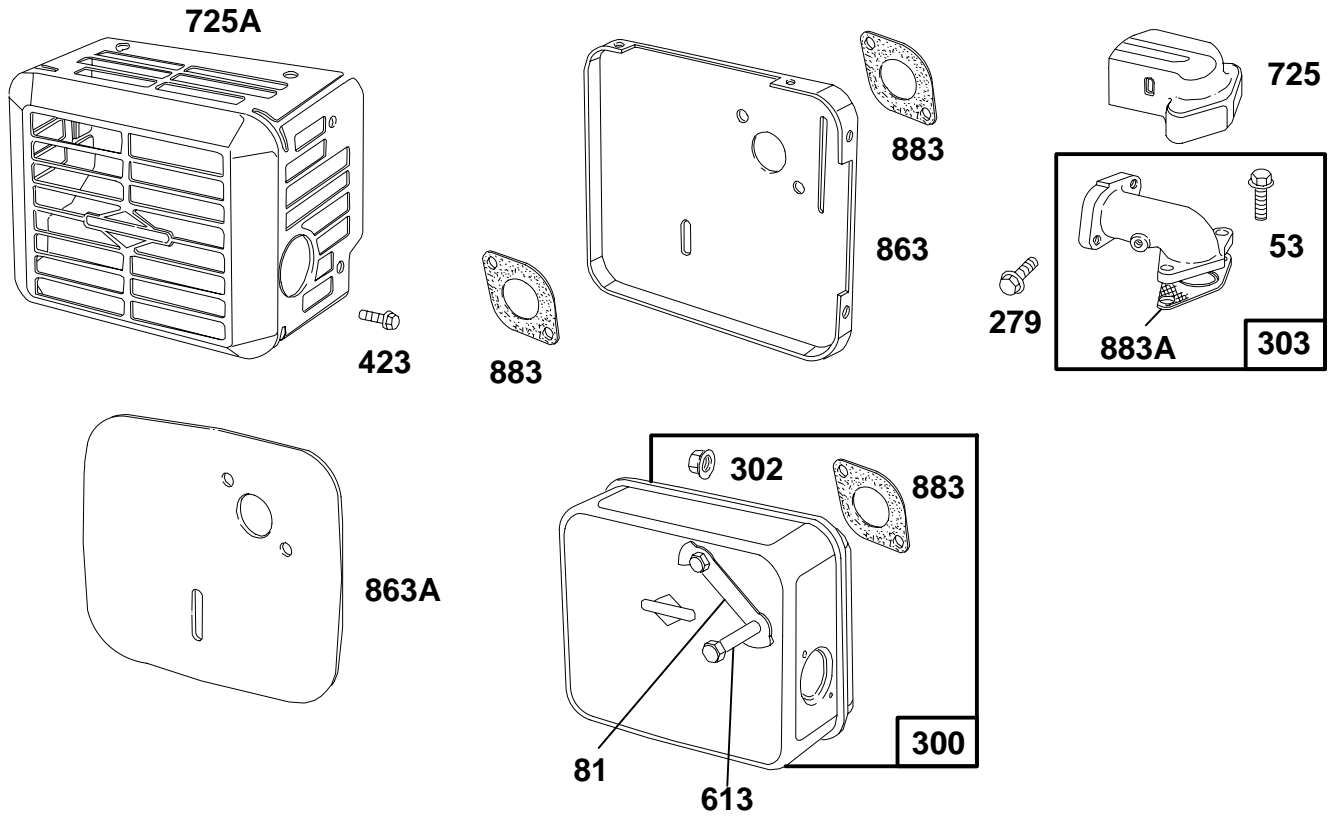
REF. NO.	PART NO.	DESCRIPTION	REF. NO.	PART NO.	DESCRIPTION	REF. NO.	PART NO.	DESCRIPTION
23	493911	Flywheel Assy.	356A	493468	Wire Assembly–Dual Stop			Note: 492518 Harness–Wiring
23A	491814	Flywheel & Ring Gear Assy.–Magneto	363	19203	Puller–Flywheel			Used on Engines With Brake.
	Note: 493987	Flywheel & Ring Gear Assy.–Magneto	474	491469	Stator–Alternator	851	221798	Terminal–Ignition Cable
		Used on Type No. 3102.	482	810071	Screw–Stator Mtg.	922	262554	Spring–Brake
258	810075	Screw–Brake Mtg.	575	396291	Switch–Ignition	935	492371	Switch & Bracket Assy.–Brake
325	492676	Hub–Rewind Starter		Includes:	942	492372	Brake Assembly	
332	810042	Nut–Flywheel	621	396847	Switch–Stop	948	492519	Wire–Starter to Brake Switch
333	491760	Armature–Magneto	635	280897	Elbow–Spark Plug	1005	280887	Fan–Flywheel
334	810035	Screw–Armature Mtg.	789	492520	Harness–Wiring			Used on Engines Without Brake.
356	399094	Wire–Ground						

104700 to 104799



REF. NO.	PART NO.	DESCRIPTION	REF. NO.	PART NO.	DESCRIPTION	REF. NO.	PART NO.	DESCRIPTION
65	810074	Screw—Hex. Hd.	240	492044	Filter—Fuel Tank Inlet	617	★280936	O-Ring (Fuel Gage)
180	492191	Tank Assy.—Fuel	304	492074	Housing—Blower (Red)	617A	★280670	O-Ring (Shut-Off Valve)
181	491367	Cap—Fuel Tank		Note: 492075	Housing—Blower (Black)	666	492140	Gage—Fuel
182	224173	Bracket—Fuel Tank	305	810037	Screw	670	94446	Spacer—Fuel Tank
184	810037	Screw—Tank Bracket	423	810079	Screw—Hex. Hd.	670A	272294	Spacer—Fuel Tank
187	393815	Hose—Fuel (Cut to Length)	573	492055	Plate—Back	727	224179	Guard—Flywheel
188	810050	Screw—Tank Mtg.	601	93807	Clamp—Fuel Hose (Black)	727A	224178	Guard—Flywheel
198	491753	Valve—Fuel Shut-Off		Note: 93053	Clamp—Fuel Hose (Green)	736	812128	Nut—Clip
228	810085	Screw—Brake Cover				941	280944	Cover—Brake
						941A	280945	Cover—Blower Housing Cut-Out

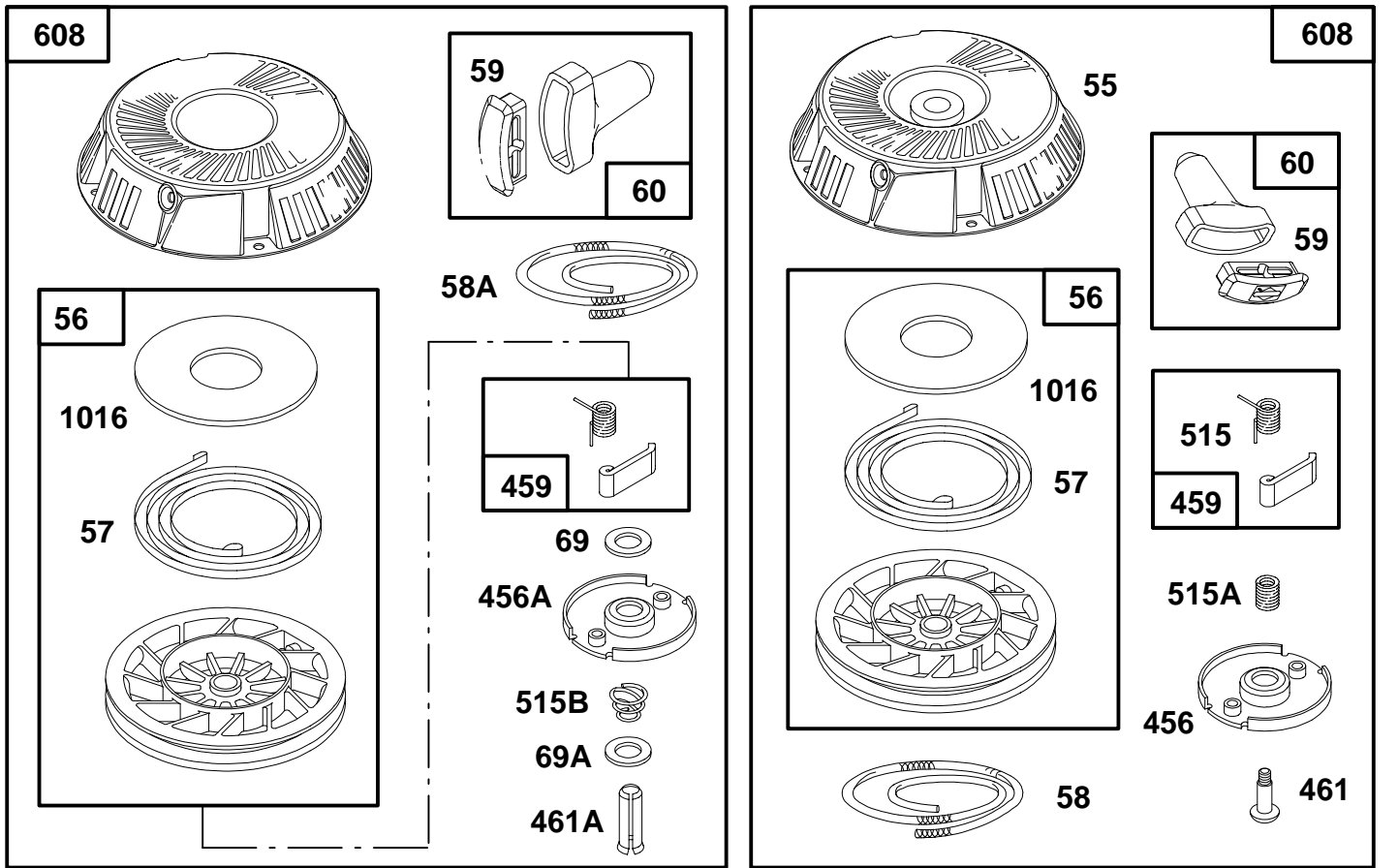
★ Included in Gasket Set—Part No. 492872.



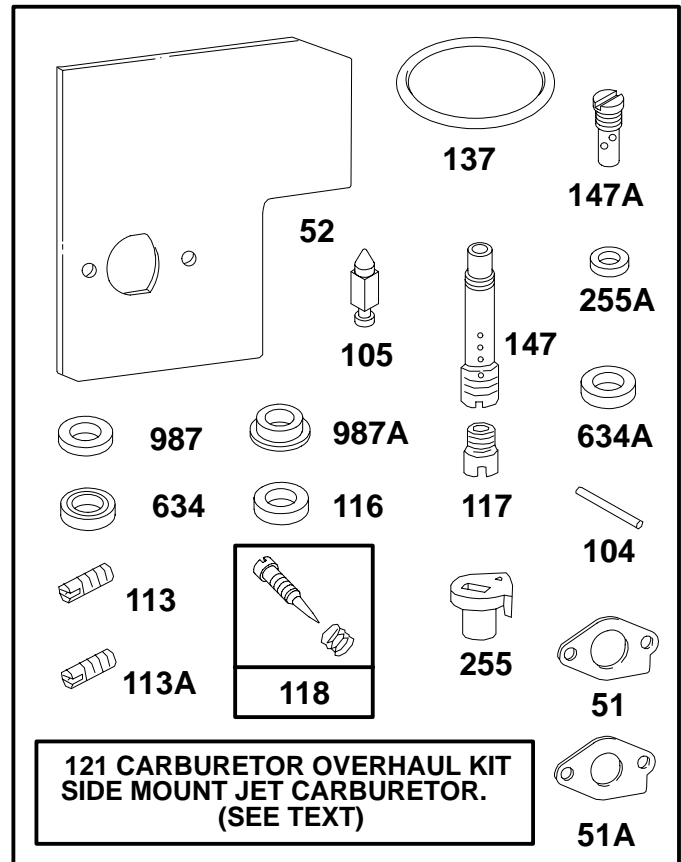
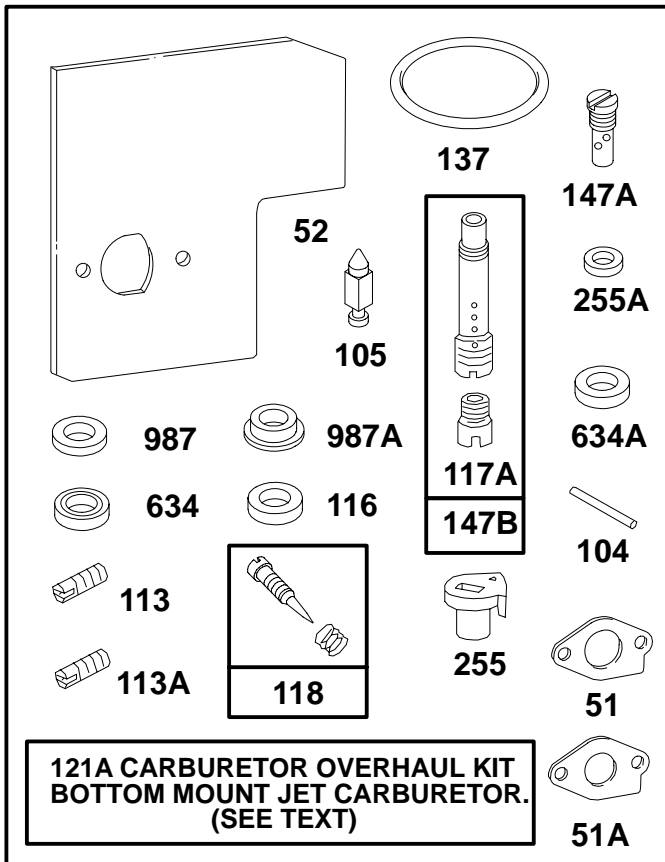
REF. NO.	PART NO.	DESCRIPTION	REF. NO.	PART NO.	DESCRIPTION	REF. NO.	PART NO.	DESCRIPTION
53	810040	Screw-Exhaust Elbow	613	94434	Screw-Muffler Mtg.	863A	224206	Backplate-Muffler Used on Engines Without Muffler Guard.
279	810036	Screw-Exhaust Shield	725	224150	Shield-Exhaust Elbow	883	★272228	Gasket-Muffler
300	492746	Muffler-Exhaust	725A	224170	Guard-Muffler	883A	★272130	Gasket-Exhaust (Elbow To Head)
302	810086	Nut-Muffler Bracket	863	224171	Backplate-Muffler Used on Engines With Muffler Guard.			
303	492747	Elbow Assy.-Exhaust						
423	810079	Screw-Hex. Hd.						

★ Included in Gasket Set-Part No. 492872.

104700 to 104799



REF. NO.	PART NO.	DESCRIPTION	REF. NO.	PART NO.	DESCRIPTION	REF. NO.	PART NO.	DESCRIPTION
55	492142	Housing—Rewind Starter			Starter	459	492833	Dog—Starter
56	493824	Pulley—Rewind Starter	69	280973	Washer—Rewind Starter	461	94453	Screw—Retainer
57	262594	Spring—Rewind Starter	69A	224322	Washer—Rewind Starter	461A	262626	Pin—Starter
58	280406	Rope—Starter (82")				515	262556	Spring—Dog
58A	280399	Rope—Starter (99" Long, Cut to Suit)	456	224204	Retainer—Rewind Starter	515A	262555	Spring—Torsion
59	396892	Insert—Starter Handle	456A	224321	Retainer—Rewind Starter	515B	262625	Spring—Torsion
60	393152	Handle—Rewind				608	492143	Starter Assembly—Rewind
						1016	224278	Cover—Rewind Starter

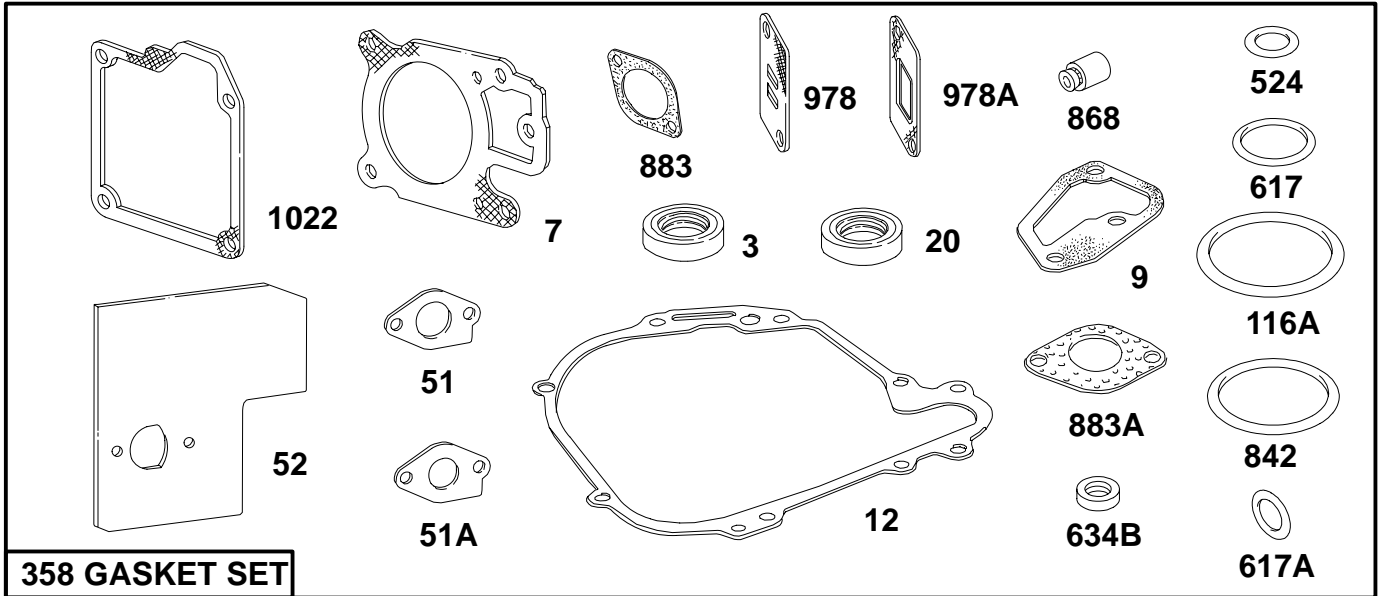
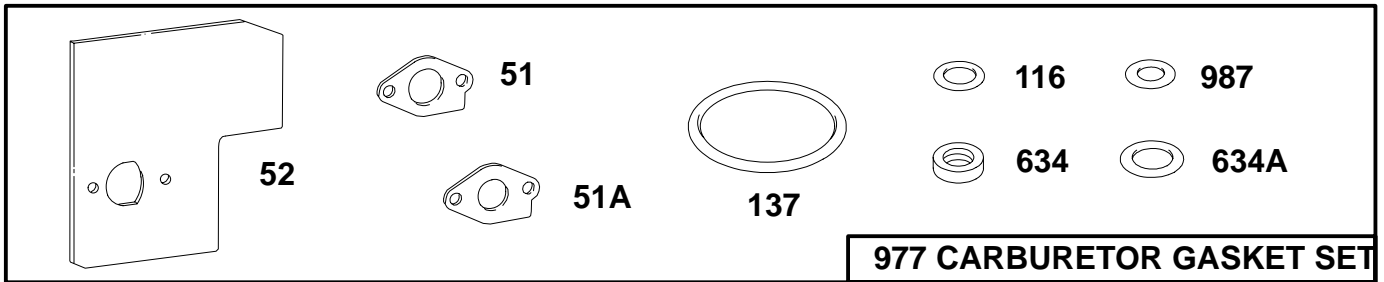


REF. NO.	PART NO.	DESCRIPTION	REF. NO.	PART NO.	DESCRIPTION	REF. NO.	PART NO.	DESCRIPTION
51	★◆○272162	Gasket—Intake Elbow		Note: 231739	Jet—Main (High Altitude) (Used After Code Date 90042800).	137	●◆272188	Gasket—Carb. Bowl
51A	★●◆272160	Gasket—Adapter to Carburetor				147	○231737	Nozzle—Main Jet (Used After Code Date 90042800).
52	★●◆272159	Gasket—Adapter to Cylinder	117A	●231645	Jet—Main (Bottom Jet)	147A	●○231644	Nozzle—Pilot Jet
104	●○231642	Pin—Float Hinge		Note: 231668	Jet—Main (High Altitude) (Used Before Code Date 90042900).	147B	◆492488	Nozzle—Main Jet (Used Before Code Date 90042900).
105	●○492186	Valve—Fuel Inlet Needle				255	●○280958	Retainer—Choke Shaft (Upper)
113	●○231689	Nozzle—Carburetor (Idle Air Bleed)	118	●○492277	Valve Assy.—Carb. Idle	255A	●○280910	Retainer—Choke Shaft (Lower)
113A	●○231647	Nozzle—Carburetor (Main Well Air Bleed)	121	494248	Carburetor Overhaul Kit	634	●○◆492172	Seal—Throttle Shaft
116	●○◆272187	Gasket—Carb. Bowl Screw			Used With Side Jet Carburetor. (Used After Code Date 90042800).	634A	●○◆272184	Seal—Choke Shaft
117	○231738	Jet—Main (Side Jet)	121A	492487	Carb. Overhaul Kit (Used Before Code Date 90042900).	978A	★272158	Gasket—Filter Bypass Cover
						987	●○◆280912	Washer—Throttle Shaft
						987A	★●○224214	Washer—Choke Seal

★ Included in Gasket Set—Part No. 492872.
 ○ Included in Carburetor Overhaul Kit—Part No. 494248.

● Included in Carburetor Overhaul Kit—Part No. 492487.
 ◆ Included in Carburetor Gasket Set—Part No. 492482.

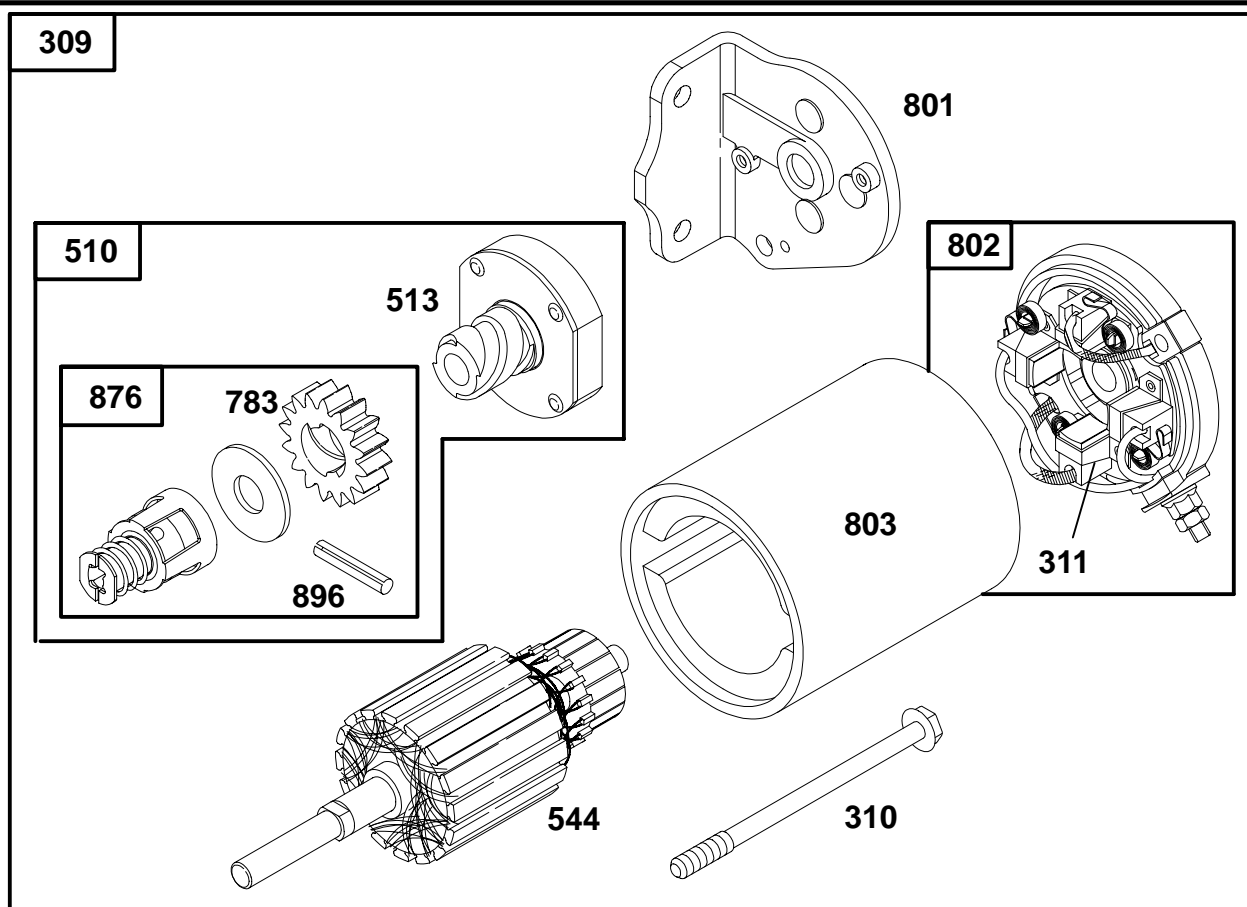
104700 to 104799



REF. NO.	PART NO.	DESCRIPTION	REF. NO.	PART NO.	DESCRIPTION	REF. NO.	PART NO.	DESCRIPTION
	3	★399781 Seal—Oil		137	●◆272188 Gasket—Carb. Bowl		883	★272228 Gasket—Muffler
	7	★272133 Gasket—Cylinder Head		358	492872 Gasket Set		883A	★272130 Gasket—Exhaust (Elbow To Head)
	9	★272161 Gasket—Breather		524	★280892 Seal—Filler Tube		977	492482 Gasket Set—Carburetor
	12	★272132 Gasket—Engine Base		617	★280936 O-Ring (Fuel Gage)		978	★272169 Gasket—Oil Filter Adapter
	20	★399781 Seal—Oil		617A	★280670 O-Ring (Shut-Off Valve)		978A	★272158 Gasket—Filter Bypass Cover
	51	★●◆272162 Gasket—Intake Elbow		634	●◆492172 Seal—Throttle Shaft		987	●◆280912 Washer—Throttle Shaft
	51A	★●◆272160 Gasket—Adapter to Carburetor		634A	●◆272184 Seal—Choke Shaft		1022	★272131 Gasket—Rocker Arm Cover
	52	★●◆272159 Gasket—Adapter to Cylinder		634B	★491323 Seal—Oil (Governor Crank)			
	116	●○272187 Gasket—Carb. Bowl Screw		842	★280393 Seal—Tube (Oil Fill)			
	116A	★280891 O-Ring (Oil Pump Cover)		868	★491020 Seal—Valve Stem			

★ Included in Gasket Set—Part No. 492872.
 ○ Included in Carburetor Overhaul Kit—Part No. 494248.

● Included in Carburetor Overhaul Kit—Part No. 492487.
 ◆ Included in Carburetor Gasket Set—Part No. 492482.



REF. NO.	PART NO.	DESCRIPTION	REF. NO.	PART NO.	DESCRIPTION	REF. NO.	PART NO.	DESCRIPTION
309	491766	Motor-Starting	544	492865	Armature Assy.	802	395537	End Cap Assy.-Commutator
310	94003	Bolt-Thru	728	810040	Screw-Elec. Starter Mtg.	803	393825	Housing Assy.
311	395538	Brush Assy.	783	280104	Gear	876	490467	Pinion Kit-Spring
510	490421	Drive Assy.	801	491339	Drive Assy.-End Cap	896	94288	Pin-Roll
513	398003	Clutch Assy.						

104700 to 104799

REF. NO.	PART NO.	DESCRIPTION	REF. NO.	PART NO.	DESCRIPTION	REF. NO.	PART NO.	DESCRIPTION
16	493874	Crankshaft (25 mm) Note: Order Part No. 94388 For Timing Gear Key Replacement. 493875 Crankshaft Used on Type Nos. 0121, 3112. 493876 Crankshaft Used on Type Nos. 0110, 0111, 0123, 0124, 4005, 4007, 4025. 493877 Crankshaft Used on Type Nos. 0117, 0118, 0125, 4044. 493878 Crankshaft Used on Type No. 4045.	25	492767	Piston Assy. (Std.)			262576 Spring–Gov. Used on Type Nos. 0110, 0114, 0115, 0117, 0118, 0123, 0125, 0127.
				492886	Piston Assy. (.010" O.S.)			262577 Spring–Gov. Used on Type Nos. 0112, 0113.
				492887	Piston Assy. (.020" O.S.)	268	65616	Casing–Control Wire (72" Long) Note: If Longer Casing is Required, Specify Length in Inches; If Shorter Casing is Needed, Order No. 65616 and Cut to Required Length.
				492888	Piston Assy. (.030" O.S.)			
			209	262572	Spring–Governor Note: 262573 Spring–Gov. Used on Type Nos. 0101, 0102, 3101, 3102, 3112.			
				262574	Spring–Gov. Used on Type Nos. 0111, 4003, 4024, 4025, 4044, 4045.	269	26633	Wire–Control (78" Long) Note: If Longer Wire is Required, Specify Length in Inches; If Shorter Wire is Needed, Order No. 26633 and Cut to Required Length.
				262575	Spring–Gov. Used on Type Nos. 0116, 0119, 0120, 0121, 0124, 4004, 4005, 4006, 4007.			