



0 24847 08926 4

10A900

Illustrated Parts List

Model Series

10A900

TYPE NUMBERS
0015 through 2296.

TABLE OF CONTENTS

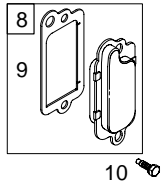
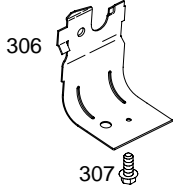
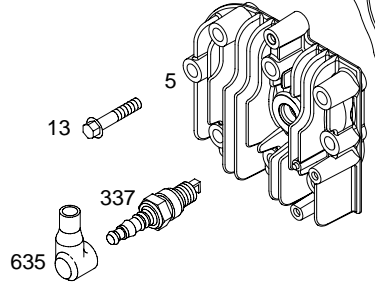
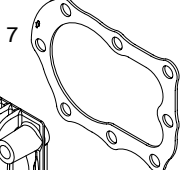
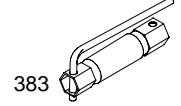
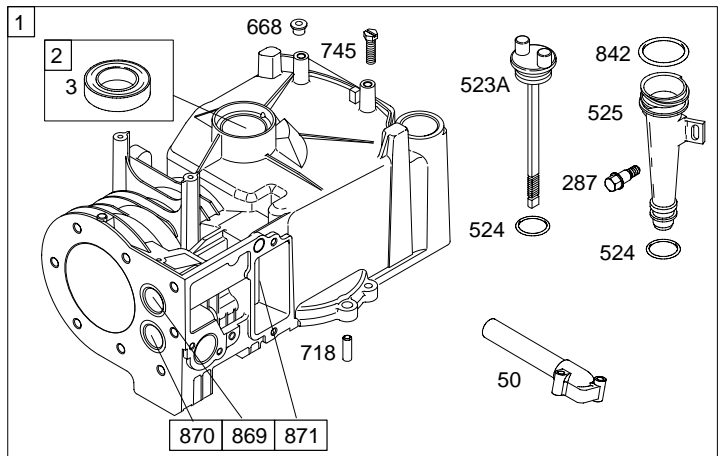
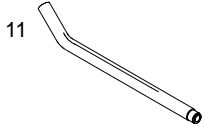
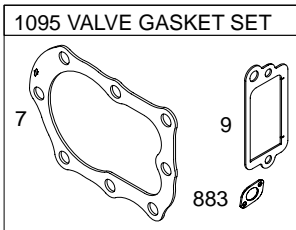
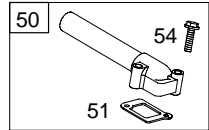
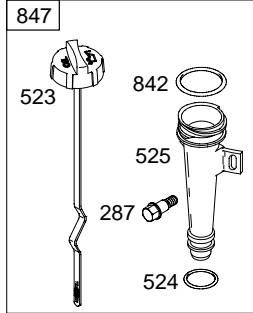
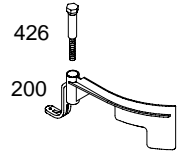
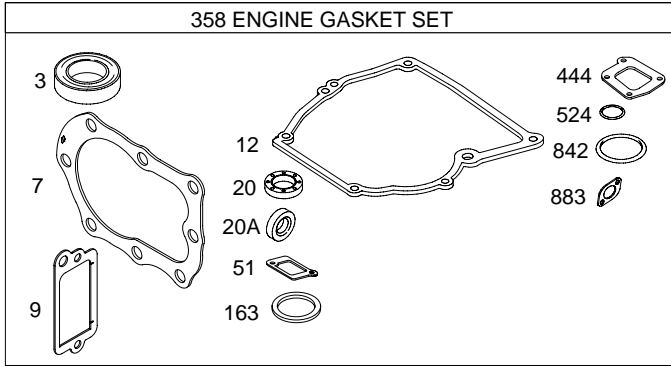
Air Cleaner	6
Blower Housing/Covers	7
Brake Group	9
Cams	3
Carburetor	4
Controls	5
Crankcase Cover/Sump	3
Crankshaft	3
Cylinder	2
Flywheel	7
Fuel Tank	4
Governor Spring	5
Head	2
Ignition	5
Kits/Gaskets – Engine	2
Kits/Gaskets – Valve	2
Muffler	6
Oil Group	2
Piston Group	3
Rewind Kits	8
Valves	3



PRINTED IN U.S.A.

COPYRIGHT by BRIGGS & STRATTON CORPORATION
All rights reserved. No part of this material may be reproduced or transmitted, in any form or by any means, electronic or mechanical, including photocopying, recording or by any information storage and retrieval system, without permission in writing from Briggs & Stratton Corporation.

10A900

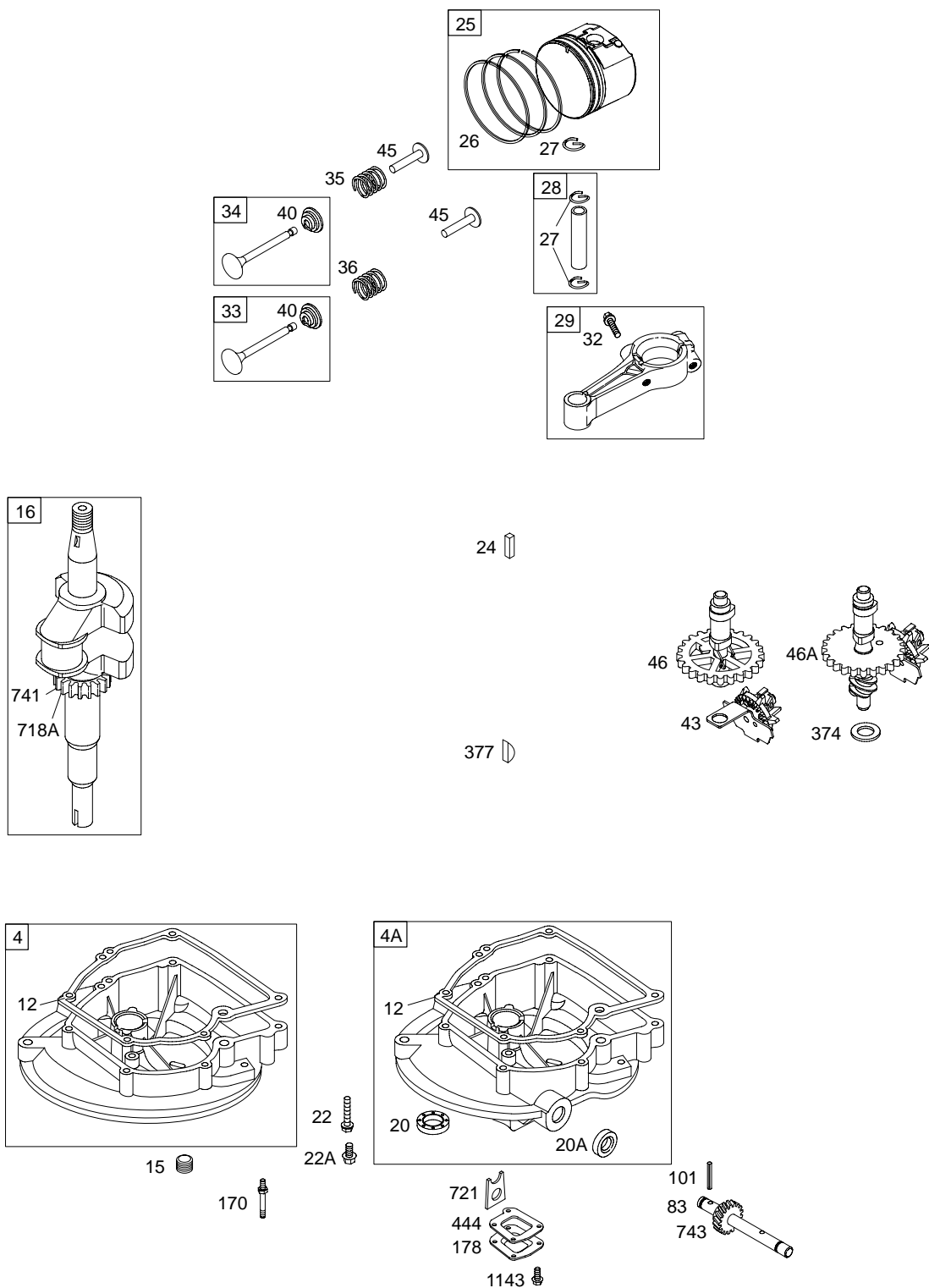


1019 LABEL KIT

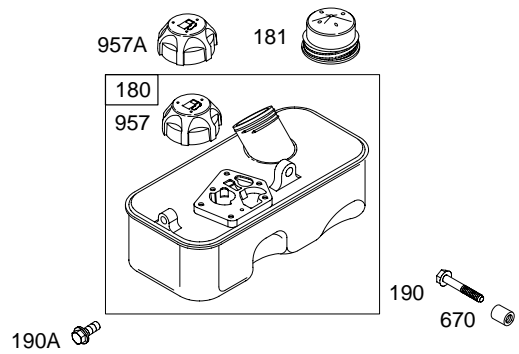
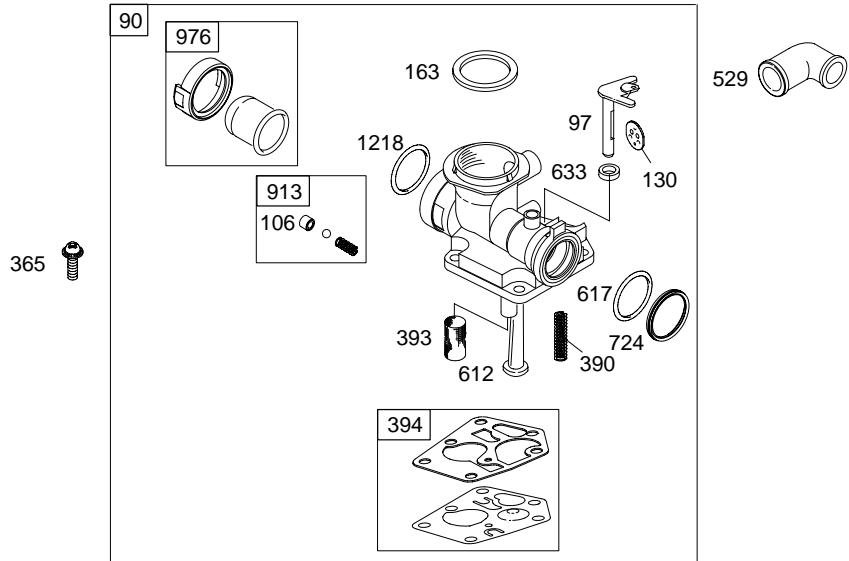
1058 OWNER'S MANUAL

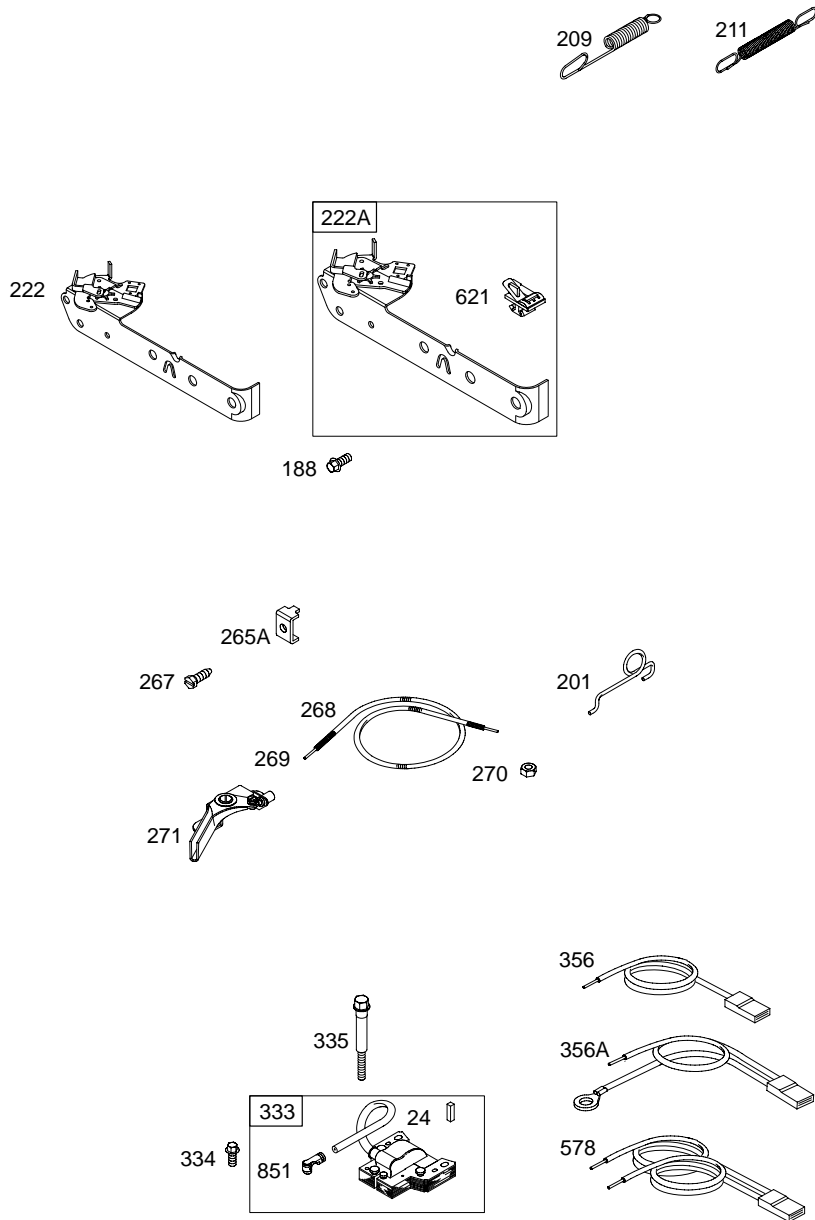
1330 REPAIR MANUAL

Illustrations cover a range of engines. Parts shown without corresponding text may not be used on your specific engine. 0669-2 Assemblies include all parts shown in frames. 05/24/2004

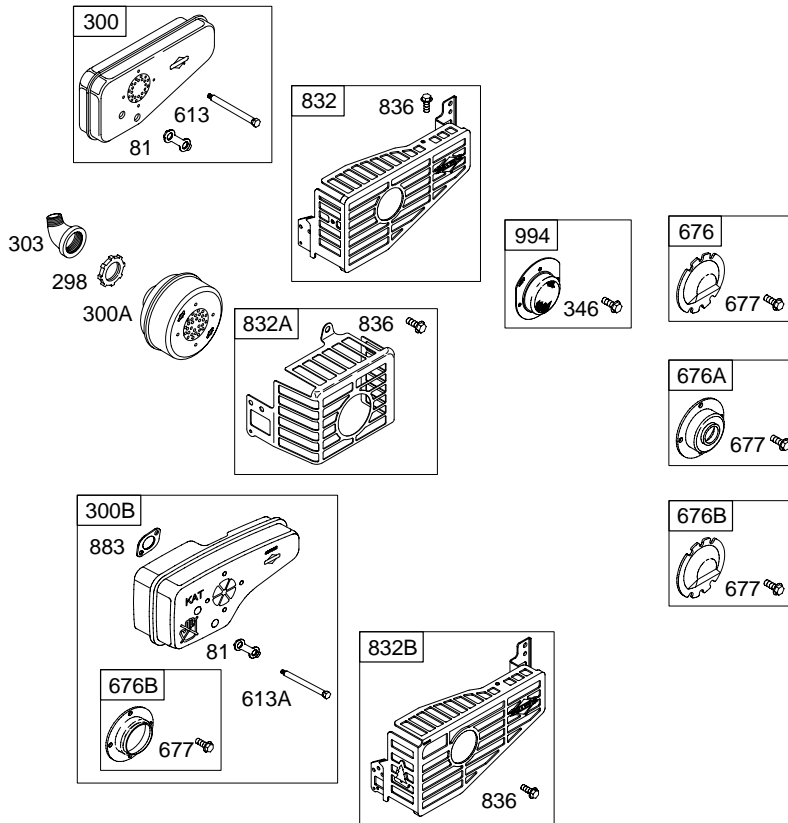
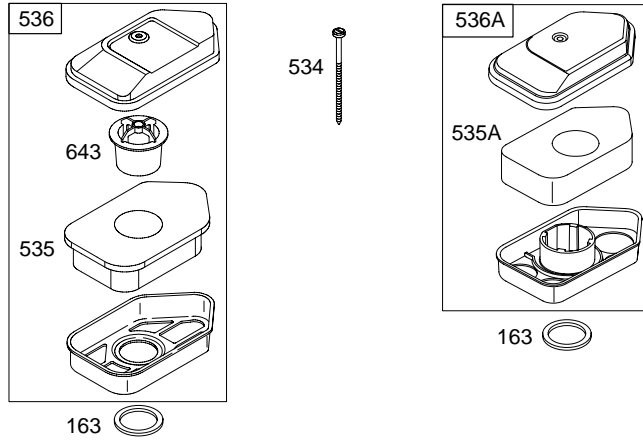


Illustrations cover a range of engines. Parts shown without corresponding text may not be used on your specific engine.
 0669-3 Assemblies include all parts shown in frames. 05/24/2004

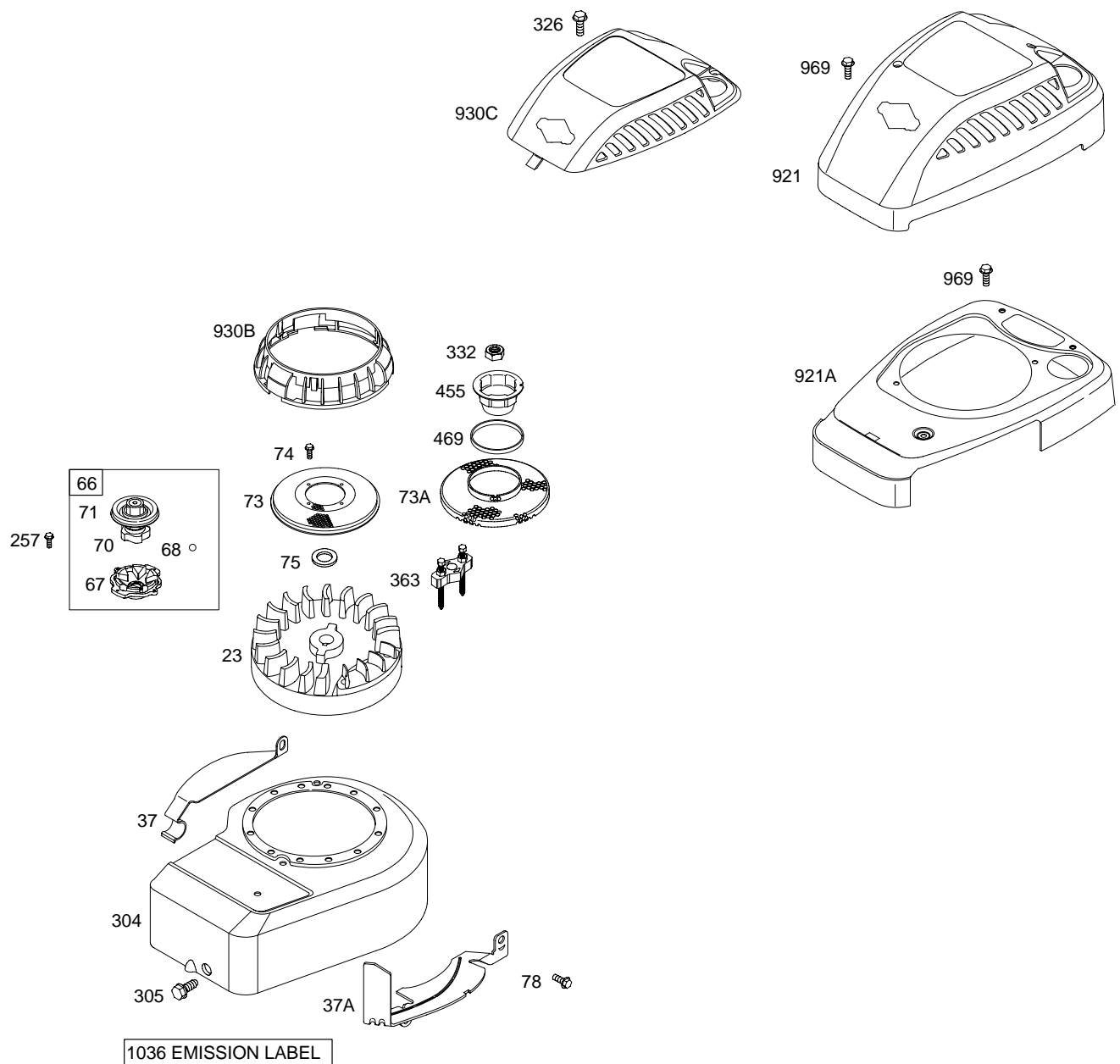




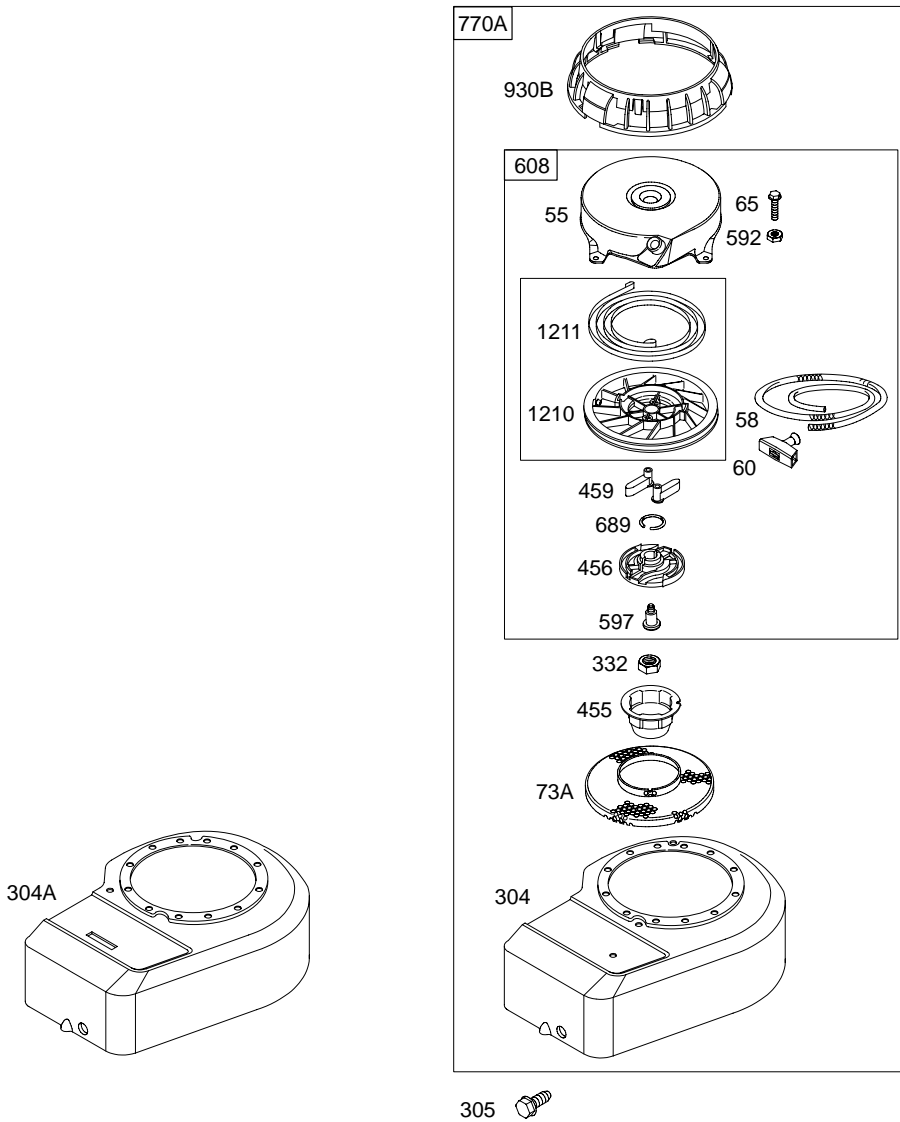
Illustrations cover a range of engines. Parts shown without corresponding text may not be used on your specific engine.
 0669-5 Assemblies include all parts shown in frames. 05/24/2004

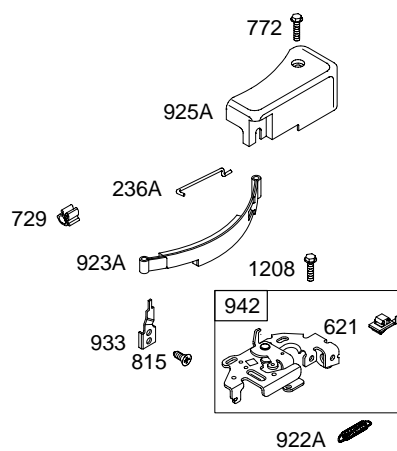
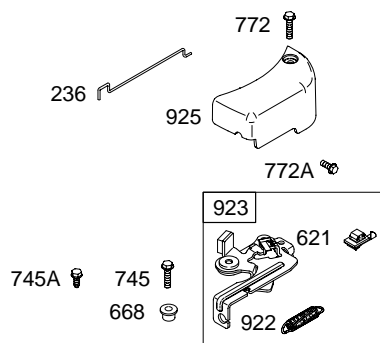


Illustrations cover a range of engines. Parts shown without corresponding text may not be used on your specific engine.
 0669-6 Assemblies include all parts shown in frames. 05/24/2004



Illustrations cover a range of engines. Parts shown without corresponding text may not be used on your specific engine.





Illustrations cover a range of engines. Parts shown without corresponding text may not be used on your specific engine.

10A900

REF. NO.	PART NO.	DESCRIPTION	REF. NO.	PART NO.	DESCRIPTION	REF. NO.	PART NO.	DESCRIPTION
1	699653	Cylinder Assembly	11	691245	Tube-Breather		691471	Crankshaft
2	399269	Kit-Bushing/Seal (Magneto Side)	12	*692218	Gasket-Crankcase (.015" Thick) (Standard)			Used on Type No(s). 0236, 0250, 1023, 1024, 1616, 2003, 2032, 2040, 2070, 2084, 2106, 2121, 2123, 2128, 2139, 2169, 2251, 2270, 2272, 2275, 2281, 2282, 2287, 2288, 2294.
3	*299819	Seal-Oil (Magneto Side)			Note			
4	698691	Sump-Engine (Used After Code Date 02111200)		270895	Gasket-Crankcase (.005" Thick)			
		Note		270896	Gasket-Crankcase (.009" Thick)			
	395384	Sump-Engine (Used Before Code Date 02111300)	13	691640	Screw (Cylinder Head)		691472	Crankshaft Used on Type No(s). 0219, 0479, 1019, 1615, 1650, 1651, 2001, 2005, 2031, 2050, 2059, 2064, 2067, 2068, 2071, 2072, 2073, 2075, 2078, 2079, 2087, 2092, 2101, 2107, 2124, 2126, 2130, 2132, 2135, 2142, 2143, 2145, 2146, 2148, 2149, 2151, 2164, 2171, 2189, 2190, 2234, 2250, 2255, 2256, 2257, 2258, 2260, 2262, 2263, 2264, 2265, 2267, 2268, 2269, 2271, 2273, 2277, 2280, 2284, 2289, 2290, 2292, 2293, 2295.
	693471	Sump-Engine Used on Type No(s). 2266.	15	691680	Plug-Oil Drain (Flush)			
4A	395390	Sump-Engine (Auxiliary PTO)	16	496838	Crankshaft			
5	690386	Head-Cylinder			Note			
7	*Δ698717	Gasket-Cylinder Head (Used After Code Date 04011800)		692989	Crankshaft Used on Type No(s). 1605, 1618, 2029, 2083, 2140, 2180, 2233, 2252, 2253, 2254, 2259, 2261, 2279, 2285, 2286, 2291.			
		Note		691406	Crankshaft Used on Type No(s). 0016, 0106, 0107, 0108, 0109, 0157, 0161, 0163, 0169, 0182, 0184, 0193, 0195, 0196, 0215, 0217, 0222, 0223, 0228, 0229, 0239, 0241, 0250, 0423, 0439, 0616.			
8	699640	Breather Assembly (Used After Code Date 03080300)		496839	Crankshaft Used on Type No(s). 0018, 0156, 0183, 0190, 0233, 0240, 0483, 0505, 0506, 0618.			
		Note						
	495785	Breather Assembly (Used Before Code Date 03080400)				20	*391483	Seal-Oil (PTO Side)
9	*Δ695890	Gasket-Breather				20A	*691952	Seal-Oil (PTO Side) (Auxiliary PTO)
10	691666	Screw (Breather Assembly)				22	691662	Screw (Crankcase Cover/Sump) (1-5/32" Long)
						22A	691108	Screw (Crankcase Cover/Sump) (9/16" Long)

* Included in Engine Gasket Set-Ref. No.358.

● Included in Carburetor Overhaul Kit-Ref. No. 121.

◆ Included in Carburetor Gasket Set-Ref. No. 977.

Δ Included in Valve Gasket Set-Ref. No 1095.

Illustrations cover a range of engines. Parts shown without corresponding text may not be used on your specific engine.

0669-10

Assemblies include all parts shown in frames.

05/24/2004

10A900

REF. NO.	PART NO.	DESCRIPTION	REF. NO.	PART NO.	DESCRIPTION	REF. NO.	PART NO.	DESCRIPTION
23	692009	Flywheel Note 690843 Flywheel Used on Type No(s). 0156, 0157, 0161, 0190, 0198, 0208, 0215, 0233, 0240, 0505, 0506, 1023, 1024, 1605, 1606, 2032, 2056, 2057, 2090, 2108, 2109, 2115, 2133, 2140, 2233, 2257, 2263, 2265, 2266, 2270.	24	222698	Key–Flywheel	26	699658	Ring Set (Standard) (Used After Code Date 03080300)
			25	699657	Piston Assembly (Standard) (Used After Code Date 03080300)			Note 498680 Ring Set (Standard) (Used After Code Date 96020500 and Before Code Date 03080400). 298982 Ring Set (Standard) (Used Before Code Date 96020600) 498681 Ring Set (.010" Oversize) (Used After Code Date 96020500) 298983 Ring Set (.010" Oversize) (Used Before Code Date 96020600) 498682 Ring Set (.020" Oversize) (Used After Code Date 96020500) 298984 Ring Set (.020" Oversize) (Used Before Code Date 96020600) 498683 Ring Set (.030" Oversize) (Used After Code Date 96020500) 298985 Ring Set (.030" Oversize) (Used Before Code Date 96020600)
					Note 498668 Piston Assembly (Standard) (Used After Code Date 96020500 and Before Code Date 03080400). 298904 Piston Assembly (Standard) (Used Before Code Date 96020600) 498669 Piston Assembly (.010" Oversize) (Used After Code Date 96020500) 298905 Piston Assembly (.010" Oversize) (Used Before Code Date 96020600) 498670 Piston Assembly (.020" Oversize) (Used After Code Date 96020500) 298906 Piston Assembly (.020" Oversize) (Used Before Code Date 96020600) 498671 Piston Assembly (.030" Oversize) (Used After Code Date 96020500) 298907 Piston Assembly (.030" Oversize) (Used Before Code Date 96020600)			

★ Included in Engine Gasket Set–Ref. No.358.

● Included in Carburetor Overhaul Kit–Ref. No. 121.

◆ Included in Carburetor Gasket Set–Ref. No. 977.

△ Included in Valve Gasket Set–Ref. No 1095.

Illustrations cover a range of engines. Parts shown without corresponding text may not be used on your specific engine.

10A900

REF. NO.	PART NO.	DESCRIPTION	REF. NO.	PART NO.	DESCRIPTION	REF. NO.	PART NO.	DESCRIPTION
27	691588	Lock-Piston Pin	50	699644	Manifold-Intake (Used After Code Date 03080300)	81	691179	Lock-Muffler Screw
28	699659	Pin-Piston (Standard) (Used After Code Date 03080300)			Note	83	691240	Shaft-Auxiliary Drive
		Note			693446			690506 Shaft-Auxiliary Drive
		298909 Pin-Piston (Standard) (Used Before Code Date 03080400)			693446			Used on Type No(s). 0050, 0167, 0219, 0650, 1019, 1650, 2067.
		298908 Pin-Piston (.005" Oversize)	51	*699649	Gasket-Intake (Used After Code Date 03080300)			691249 Shaft-Auxiliary Drive
29	699655	Rod-Connecting (Used After Code Date 03080300)			Note			Used on Type No(s). 0159, 0193, 0206, 2254, 2259, 2261, 2285.
		Note			270345			
		496792 Rod-Connecting (Used Before Code Date 03080400)	54	691111	Screw (Intake Manifold)	90	498811	Carburetor (Used After Code Date 96051900)
32	691664	Screw (Connecting Rod)	55	692144	Housing-Rewind Starter			Note
33	296676	Valve-Exhaust	58	692259	Rope-Starter (Cut To Required Length)			497619 Carburetor (Used Before Code Date 96052000)
34	296677	Valve-Intake						
35	690520	Spring-Valve (Intake)	60	691915	Grip-Starter Rope	97	691931	Shaft-Throttle
36	690520	Spring-Valve (Exhaust)	65	690837	Screw (Rewind Starter)	101	691623	Pin-Shaft
37	690482	Guard-Flywheel (Carburetor Side)	66	399671	Clutch-Starter	106	691901	Seat-Inlet
37A	691209	Guard-Flywheel (Muffler Side)	67	394897	Housing-Clutch	130	691190	Valve-Throttle
40	692194	Retainer-Valve	68	691604	Ball-Clutch	163	*271139	Gasket-Air Cleaner
43	698690	Slinger-Governor/Oil (Used After Code Date 02110400)	70	691945	Ratchet-Clutch	170	691690	Stud (Crankcase Cover/Sump)
		Note	71	691359	Cover-Ratchet	178	690398	Cover-Drive Gear
		691983 Slinger-Governor/Oil (Used Before Code Date 02110500)	73	691725	Screen-Rotating (Used Before Code Date 97071400)	180	494406	Tank-Fuel (Metal)
45	691762	Tappet-Valve	73A	699850	Screen-Rotating (Used After Code Date 03082400)	181	493982	Cap-Fuel Tank (Metal)
46	691998	Camshaft			Note	188	692198	Screw (Control Bracket) (27/64" Long)
46A	690644	Camshaft (Counterclockwise)			694018			
		Note			694018			Screen-Rotating (Used After Code Date 97071300 and Before Code Date 03082500).
		690645 Camshaft (Clockwise) Used on Type No(s). 0051, 0186, 0651, 1651.	74	691627	Screw (Rotating Screen)			
			75	691736	Washer (Flywheel)			
			78	692198	Screw (Flywheel Guard)			

★ Included in Engine Gasket Set-Ref. No.358.

● Included in Carburetor Overhaul Kit-Ref. No. 121.

◆ Included in Carburetor Gasket Set-Ref. No. 977.

△ Included in Valve Gasket Set-Ref. No 1095.

Illustrations cover a range of engines. Parts shown without corresponding text may not be used on your specific engine.

0669-12

Assemblies include all parts shown in frames.

05/24/2004

10A900

REF. NO.	PART NO.	DESCRIPTION	REF. NO.	PART NO.	DESCRIPTION	REF. NO.	PART NO.	DESCRIPTION
190	691640	Screw (Fuel Tank) (2-3/64" Long)		691297	Spring– Governor (White) (Used After Code Date 96051900) Used on Type No(s). 0163, 0172, 0232, 0242, 2132, 2142, 2143, 2148, 2149, 2164, 2255, 2268, 2282, 2288, 2289, 2292.		692531	Spring– Governor (Red) (Used Before Code Date 96052000) Used on Type No(s). 0164, 0166, 0207, 0212.
190A	692198	Screw (Fuel Tank) (27/64" Long)						
200	691912	Blade–Governor						
201	690347	Link–Air Vane						
209	690254	Spring–Governor (Light Blue) (Used After Code Date 96051900)						691861 Spring– Governor (Brown) (Used After Code Date 96051900) Used on Type No(s). 0161, 2032, 2109, 2263, 2270.
		———— Note ————			262942 Spring– Governor (Black) (Used Before Code Date 96052000) Used on Type No(s). 0156, 0157, 0163, 0172, 0187, 0190, 0198, 0208, 0505.			262760 Spring– Governor (Orange) (Used Before Code Date 96052000) Used on Type No(s). 0101, 0159, 0160, 0162, 0171, 0173, 0178, 0179, 0180, 0186, 0188, 0189, 0192, 0204, 0206.
		692211 Spring– Governor (No Color) (Used Before Code Date 96052000)			690251 Spring– Governor (Yellow) (Used After Code Date 96051900) Used on Type No(s). 0164, 0166, 0207, 0212, 0235, 0244, 0245, 0246, 0479, 1615, 1616, 1618, 1650, 1651, 2001, 2003, 2029, 2031, 2040, 2059, 2064, 2070, 2078, 2079, 2083, 2084, 2089, 2092, 2107, 2115, 2121, 2122, 2123, 2124, 2126, 2130, 2135, 2139, 2145, 2146, 2152, 2171, 2189, 2234, 2250, 2252, 2253, 2254, 2258, 2259, 2261, 2264, 2267, 2269, 2271, 2273, 2277, 2278, 2280, 2281, 2284, 2285, 2286, 2290, 2291, 2293.			692698 Spring– Governor (Metallic Gold) Used on Type No(s). 1023, 1024, 1605, 2090, 2140, 2265, 2266.
		690250 Spring– Governor (Light Green) (Used After Code Date 96051900) Used on Type No(s). 0198, 0208, 0233, 0248, 0506, 2072.				211	691859	Spring–Governed Idle
		691862 Spring– Governor (Dark Green) (Used After Code Date 96051900) Used on Type No(s). 0156, 0157, 0240, 0505, 2233, 2257.				222	691445	Bracket–Control (Non Compliance)
		690252 Spring– Governor (Pink) (Used After Code Date 96051900) Used on Type No(s). 0190.				222A	691446	Bracket–Control

★ Included in Engine Gasket Set–Ref. No.358.
● Included in Carburetor Overhaul Kit–Ref. No. 121.

◆ Included in Carburetor Gasket Set–Ref. No. 977.
△ Included in Valve Gasket Set–Ref. No 1095.

Illustrations cover a range of engines. Parts shown without corresponding text may not be used on your specific engine.
0669–13 Assemblies include all parts shown in frames. 05/24/2004

10A900

REF. NO.	PART NO.	DESCRIPTION	REF. NO.	PART NO.	DESCRIPTION	REF. NO.	PART NO.	DESCRIPTION
236	691826	Link-Lockout (Used Before Code Date 97071400)	300	692307	Muffler (Super Lo Tone)	326	694046	Screw (Rewind Guard)
236A	691867	Link-Lockout (Used After Code Date 97071300)	300A	394569	Muffler (Round Lo Tone)			(Used After Code Date 99010300)
257	691660	Screw (Starter Clutch)	300B	499493	Muffler (Catalyst)			Note
265A	690798	Clamp-Casing (Die Cast) (Steel With Tab)	303	690291	Elbow-Exhaust			691141 Screw (Rewind Guard)
267	691044	Screw (Casing Clamp)	304	691484	Housing-Blower (Compliance Engines) (Used Before Code Date 99010400)	332	690662	Nut (Flywheel)
268	691072	Casing-Control Wire (48" Long)(Cut To Required Length) Note			692536 Housing-Blower (Non Compliance Engines) (Used Before Code Date 99010400)	333	496914	Armature-Magneto
		691025 Casing-Control Wire (72" Long)(Cut To Required Length)	304A	694236	Housing-Blower (Compliance Engines) (Used After Code Date 99010300)	334	691061	Screw (Magneto Armature)
269	691589	Wire-Control (54" Long)(Cut To Required Length) Note			694051 Housing-Blower (Non Compliance Engines) (Used After Code Date 99010300)	335	691107	Screw (Magneto Armature With Air Vane)
		691026 Wire-Control (78" Long) (Cut To Required Length)				337	802592	Plug-Spark Note
270	691027	Nut (Control Wire Casing)	305	692198	Screw (Blower Housing)			492167 Plug-Spark Used on Type No(s). 0101, 0160, 0163, 0178, 0180, 0183, 0197, 0202, 0206, 0213, 0215, 0226, 0230, 0426, 2130.
271	691028	Lever-Control	306	690400	Shield-Cylinder	346	690661	Screw (Spark Arrestor)
287	691002	Screw (Dipstick Tube)	307	690345	Screw (Cylinder Shield)			
298	691720	Locknut-Muffler/Elbow						

★ Included in Engine Gasket Set-Ref. No.358.

● Included in Carburetor Overhaul Kit-Ref. No. 121.

◆ Included in Carburetor Gasket Set-Ref. No. 977.

△ Included in Valve Gasket Set-Ref. No 1095.

Illustrations cover a range of engines. Parts shown without corresponding text may not be used on your specific engine.

10A900

REF. NO.	PART NO.	DESCRIPTION	REF. NO.	PART NO.	DESCRIPTION	REF. NO.	PART NO.	DESCRIPTION
356	692390	Wire-Stop (1 Wire, 17" Long) (Snap Connect Insulated Female Blade Terminal, And Bare Wire End)	534	691417	Screw (Air Cleaner)	612	496046	Tube-Pick Up
356A	398808	Wire-Stop (2 Wires, 15" And 15-11/16" Long) (Snap Connect Insulated Female Blade Terminal, Ring Terminal)	535	272235	Filter-Air Cleaner Foam	613	691413	Screw (Muffler) (Super Lo Tone)
358	699933	Gasket Set-Engine	535A	698369	Filter-Air Cleaner Foam	613A	691114	Screw (Muffler)
363	19069	Puller-Flywheel	536	493492	Cleaner-Air (Metal) (Used Before Code Date 02101100)	617	270344	Seal-O Ring (Intake Manifold)
365	790029	Screw (Carburetor)	536A	698472	Cleaner-Air (Plastic) (Used After Code Date 02101000)	621	692310	Switch-Stop
374	691074	Washer (Camshaft)	578	398153	Wire Assembly (2 Wires, 9-1/2", And 21-1/4" Long) (Snap Connect Insulated Female Blade Terminal, And 2 Bare Wire End)	633	691321	Seal-Choke/Throttle Shaft
377	692193	Key-Woodruff	592	690800	Nut (Rewind Starter)	635	66538	Boot-Spark Plug
383	89838	Wrench-Spark Plug	597	691696	Screw (Pawl Friction Plate)	643	691911	Retainer-Air Filter
390	691839	Spring-Choke Diaphragm	608	499706	Starter-Rewind (Used After Code Date 97071300)	668	692889	Spacer
393	691837	Screen-Carburetor				670	691633	Spacer-Fuel Tank (Used After Code Date 97071300)
394	495770	Diaphragm-Carburetor						Note
426	691107	Screw (Governor Blade)						691631 Spacer-Fuel Tank (Used Before Code Date 97071400)
444	★691868	Gasket-Drive Gear Cover				676	393756	Deflector-Muffler (Side Out)
455	691236	Cup-Flywheel				676A	397931	Deflector-Muffler (Direct Out)
456	692299	Plate-Pawl Friction				676B	497682	Deflector-Muffler
459	281505	Pawl-Ratchet				677	690661	Screw (Muffler Deflector)
469	694420	Ring-Rotating Trim (Used Before Code Date 03082500)				689	691855	Spring-Friction (Ratchet Pawl)
523	692040	Dipstick				718	690959	Pin-Locating
523A	691913	Dipstick				718A	499047	Pin-Locating (Crankshaft)
524	★692296	Seal-Dipstick Tube				721	690397	Stop-Shaft
525	691320	Tube-Dipstick				724	697478	Retainer-Seal
529	692189	Grommet (Breather)						

★ Included in Engine Gasket Set-Ref. No.358.

● Included in Carburetor Overhaul Kit-Ref. No. 121.

◆ Included in Carburetor Gasket Set-Ref. No. 977.

△ Included in Valve Gasket Set-Ref. No 1095.

Illustrations cover a range of engines. Parts shown without corresponding text may not be used on your specific engine.

0669-15

Assemblies include all parts shown in frames.

05/24/2004

10A900

REF. NO.	PART NO.	DESCRIPTION	REF. NO.	PART NO.	DESCRIPTION	REF. NO.	PART NO.	DESCRIPTION
729	690586	Clip-Wire	836	690664	Screw (Muffler Guard)	871	699643	Bushing-Valve Guide (Exhaust Valve)
741	691805	Gear-Timing	842	★691870	Seal-O Ring (Dipstick Tube)			(Used After Code Date 03080300)
743	691772	Gear-Drive ———— Note ———— 690516 Gear-Drive Used on Type No(s). 0051, 0186, 0651, 1651.	847	691440	Dipstick/Tube Assembly ———— Note ———— 398010 Dipstick/Tube Assembly Used on Type No(s). 0171, 0226, 0426, 2071, 2126, 2180, 2189, 2252, 2259, 2285, 2286.			———— Note ———— 231348 Bushing-Valve Guide (Exhaust Valve) (Used Before Code Date 03080400)
745	691146	Screw (Brake) (Used After Code Date 97071300)						63709 Bushing-Valve Guide (Intake Valve)
745A	690859	Screw (Brake) (Used Before Code Date 97071400)	851	493880	Terminal-Spark Plug	883	★△691880	Gasket-Exhaust
770A	499915	Kit-Rewind/Blower Housing (6 O'Clock Compliance Engines)	869	699641	Seat-Valve (Intake) (Used After Code Date 03080300) ———— Note ———— 691701 Seat-Valve (Intake) (Used Before Code Date 03080400)	913	494409	Seat-Check Valve
772	691111	Screw (Linkage Cover) (Used After Code Date 97071300) ———— Note ———— 691183 Screw (Linkage Cover) (Used Before Code Date 97071400)				921	694044	Cover-Blower Housing
772A	690345	Screw (Linkage Cover)				921A	499247	Cover-Blower Housing
815	690324	Screw (Bank Brake Pivot)				922	692135	Spring-Brake (Used After Code Date 97071300)
832	494896	Guard-Muffler (Super Lo Tone)	870	699642	Seat-Valve (Exhaust) (Used After Code Date 03080300) ———— Note ———— 691702 Seat-Valve (Exhaust) (Used Before Code Date 03080400)	922A	691809	Spring-Brake (Used Before Code Date 97071400)
832A	699670	Guard-Muffler (Round Lo Tone)				923	691487	Brake (Used After Code Date 97071300)
832B	699300	Guard-Muffler				923A	394867	Brake (Used Before Code Date 97071400)
						925	691349	Cover-Linkage (Used After Code Date 97071300) Used on Type No(s). 2071, 2073, 2180, 2190.
						925A	691329	Cover-Linkage (Used Before Code Date 97071400)

★ Included in Engine Gasket Set-Ref. No.358.

● Included in Carburetor Overhaul Kit-Ref. No. 121.

◆ Included in Carburetor Gasket Set-Ref. No. 977.

△ Included in Valve Gasket Set-Ref. No 1095.

Illustrations cover a range of engines. Parts shown without corresponding text may not be used on your specific engine.

10A900

REF. NO.	PART NO.	DESCRIPTION	REF. NO.	PART NO.	DESCRIPTION	REF. NO.	PART NO.	DESCRIPTION
930B	691348	Guard–Rewind	994	398067	Arrestor–Spark	1058	275508	Operator’s Manual
930C	691932	Guard–Rewind	1019	497624	Kit–Label	1095	498526	Gasket Set–Valve
933	690428	Pivot–Band Brake	1036	695108	Label–Emissions (Used After Code Date 99093000)	1143	691666	Screw (Drive Gear Cover)
942	493248	Bracket–Brake (Used Before Code Date 97071400)			Note	1208	690859	Screw (Brake Bracket)
957	497929	Cap–Fuel Tank (Plastic)		694428	Label–Emissions (Used After Code Date 98123100 and Before Code Date 99100100).	1210	499901	Pulley/Spring Assembly (Pulley)
957A	692050	Cap–Fuel Tank (Plastic) Used on Type No(s). 0171, 0226, 0426, 2071, 2126, 2180, 2189, 2252, 2259, 2285, 2286.		499337	Label–Emissions (Used After Code Date 97052500 and Before Code Date 99010100).	1211	499901	Pulley/Spring Assembly (Spring)
969	692198	Screw (Blower Housing Cover)		499336	Label–Emissions (Used Before Code Date 97052600)	1218	695866	Seal–O Ring (Carburetor)
976	694394	Primer–Carburetor				1330	270962	Repair Manual

★ Included in Engine Gasket Set–Ref. No.358.

● Included in Carburetor Overhaul Kit–Ref. No. 121.

◆ Included in Carburetor Gasket Set–Ref. No. 977.

△ Included in Valve Gasket Set–Ref. No 1095.

Illustrations cover a range of engines. Parts shown without corresponding text may not be used on your specific engine.