

10B900

Illustrated Parts List

Model Series

10B900

TYPE NUMBERS
0050 through 2011.

TABLE OF CONTENTS

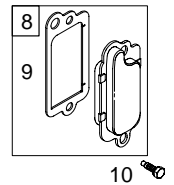
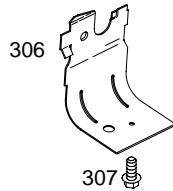
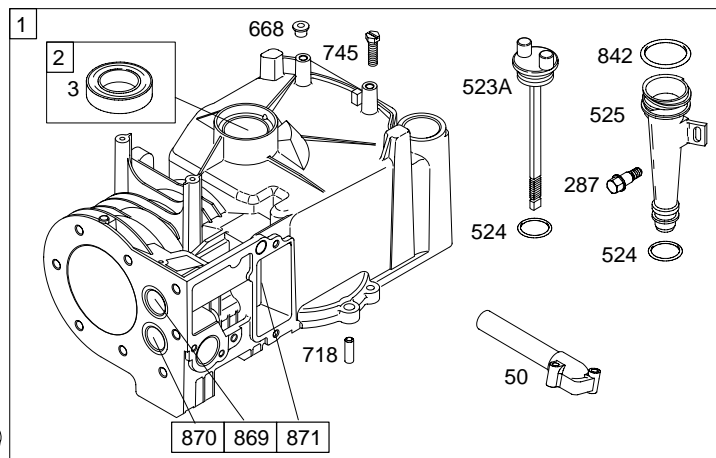
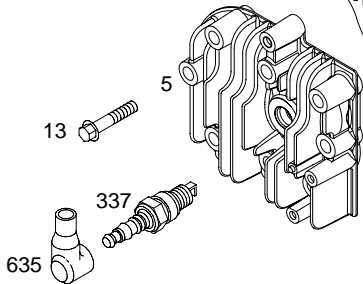
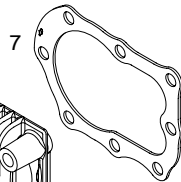
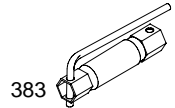
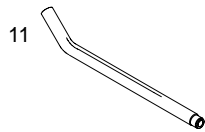
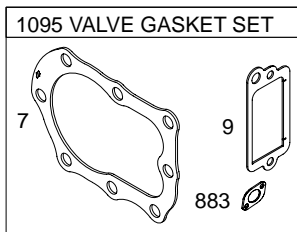
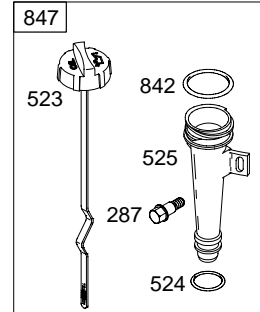
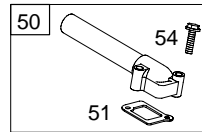
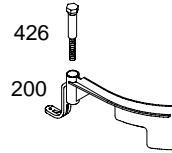
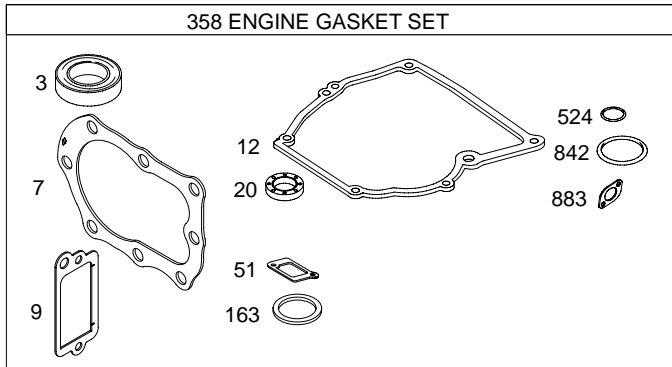
Air Cleaner	6
Blower Housing/Shrouds	7
Cams	3
Carburetor	4
Controls	5
Crankcase Cover/Sump	3
Crankshaft	3
Cylinder	2
Flywheel	7
Fuel Tank	4
Governor Spring	5
Head	2
Ignition	5
Kits/Gaskets – Engine	2
Kits/Gaskets – Valve	2
Muffler	6
Oil Group	2
Piston Group	3
Rewind/Blower Housing	8
Valves	3



PRINTED IN U.S.A.

COPYRIGHT by BRIGGS & STRATTON CORPORATION
All rights reserved. No part of this material may be reproduced or transmitted, in any form or by any means, electronic or mechanical, including photocopying, recording or by any information storage and retrieval system, without permission in writing from Briggs & Stratton Corporation.

10B900

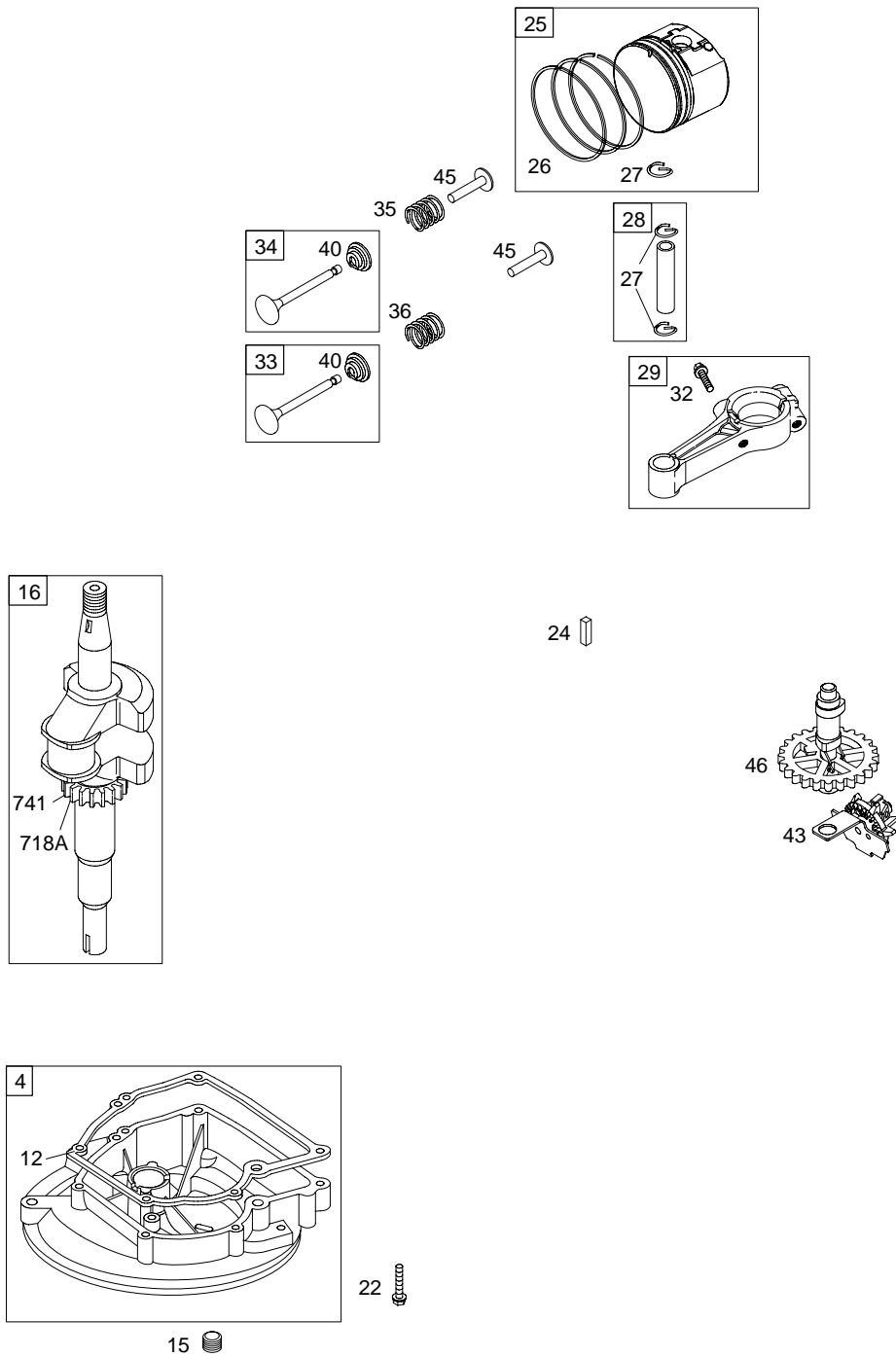


1019 LABEL KIT

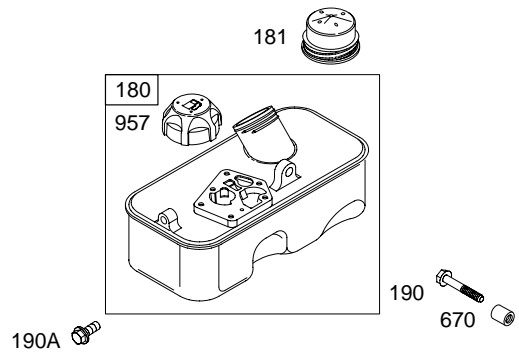
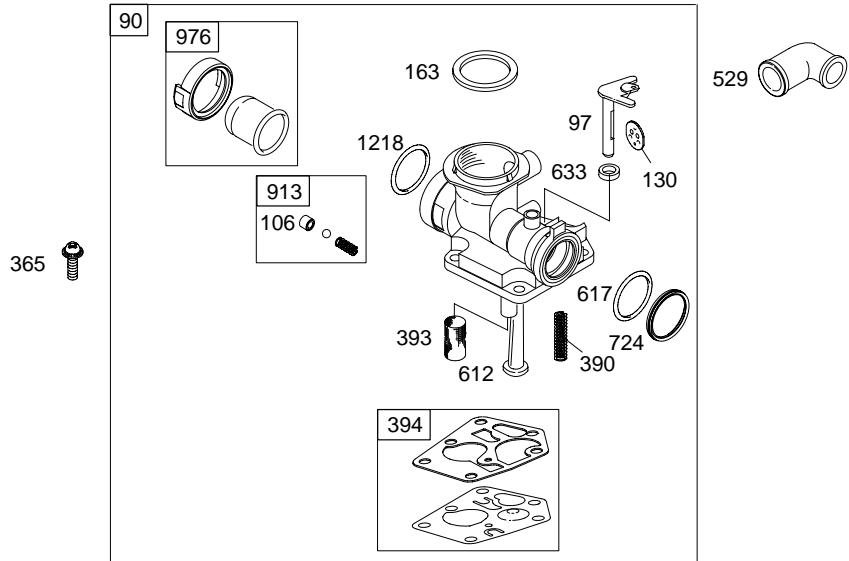
1058 OWNER'S MANUAL

1330 REPAIR MANUAL

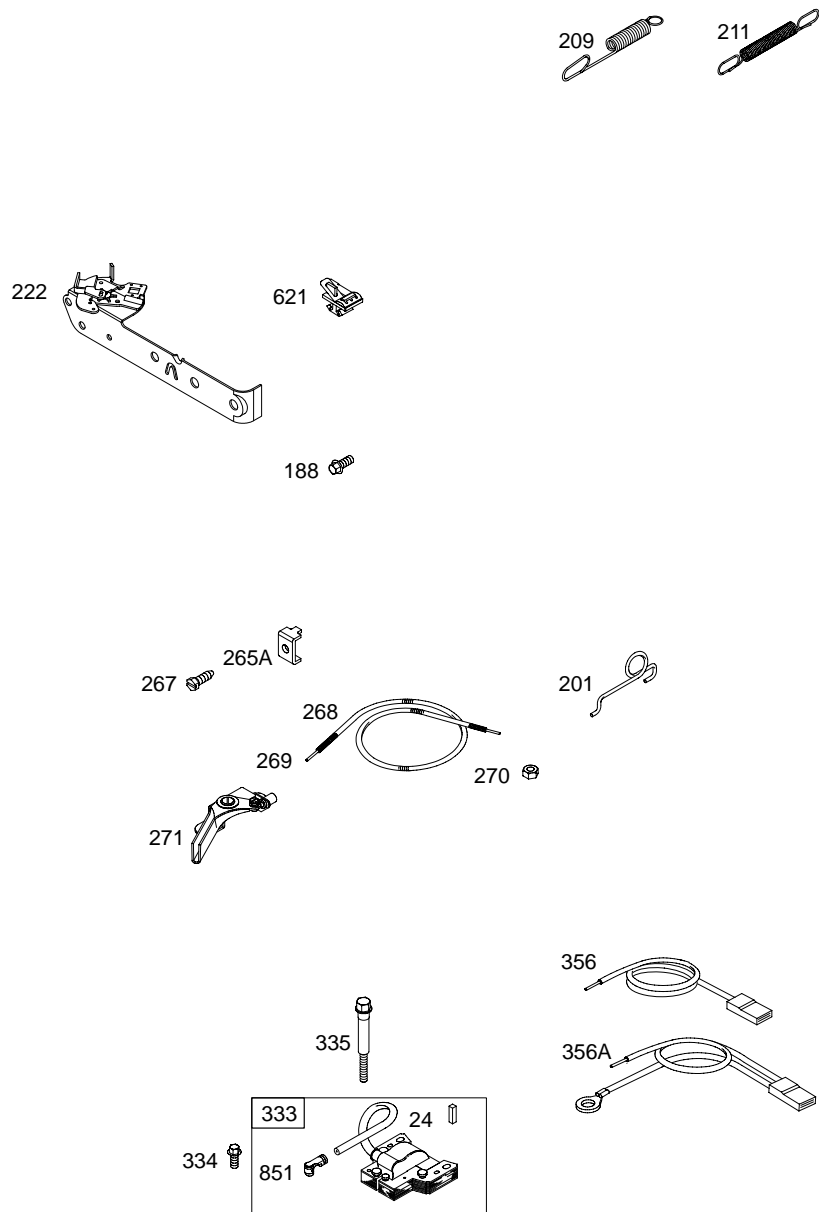
Illustrations cover a range of engines. Parts shown without corresponding text may not be used on your specific engine.
 0538-2 Assemblies include all parts shown in frames. 05/20/2004



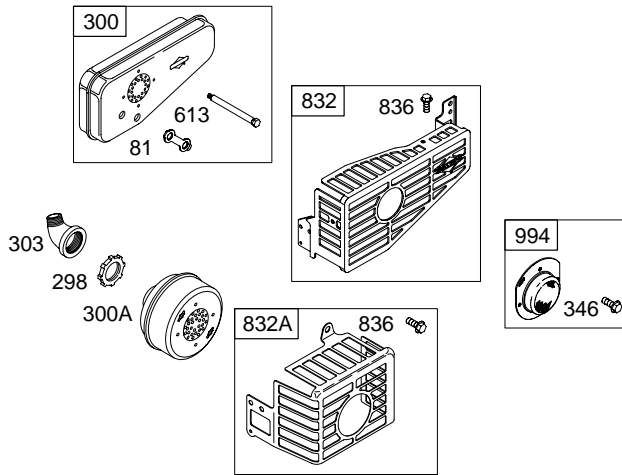
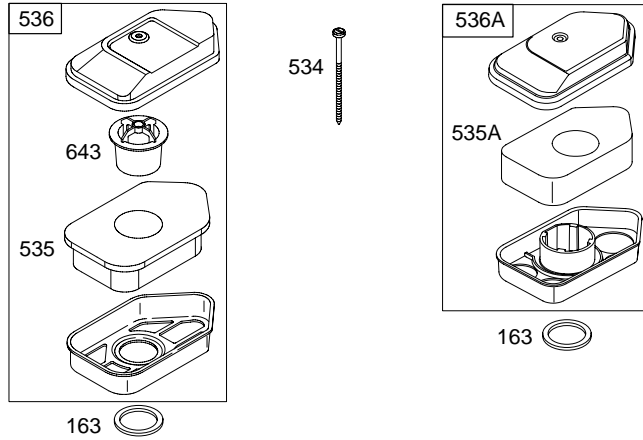
10B900

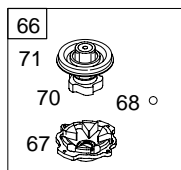
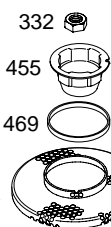
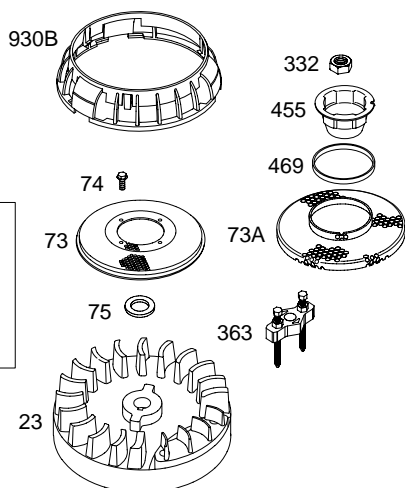
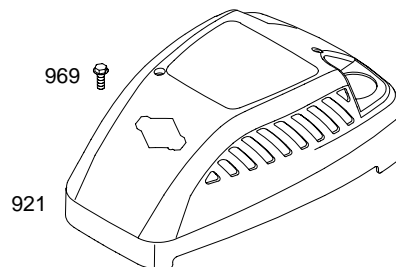
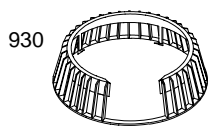


Illustrations cover a range of engines. Parts shown without corresponding text may not be used on your specific engine.
0538-4 Assemblies include all parts shown in frames. 05/20/2004

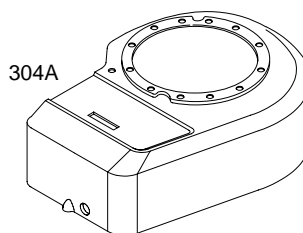
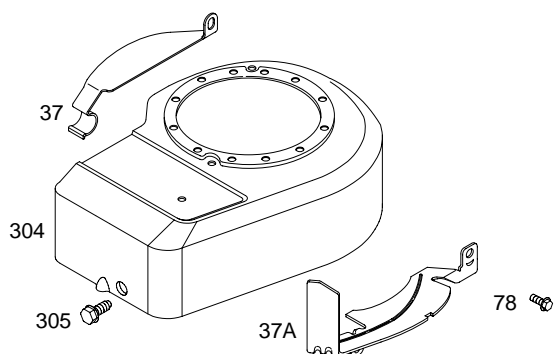


Illustrations cover a range of engines. Parts shown without corresponding text may not be used on your specific engine.
0538-5 Assemblies include all parts shown in frames. **05/20/2004**



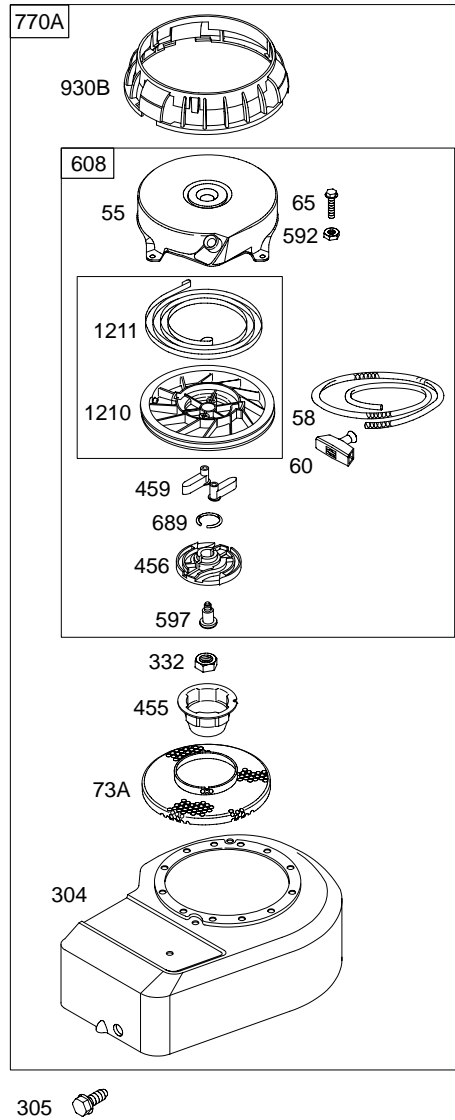


257



1036 EMISSION LABEL

Illustrations cover a range of engines. Parts shown without corresponding text may not be used on your specific engine.
0538-7 Assemblies include all parts shown in frames. 05/20/2004



10B900

REF. NO.	PART NO.	DESCRIPTION	REF. NO.	PART NO.	DESCRIPTION	REF. NO.	PART NO.	DESCRIPTION
1	699653	Cylinder Assembly	10	691666	Screw (Breather Assembly)	25	699657	Piston Assembly (Standard) (Used After Code Date 03080300).
2	399269	Kit-Bushing/Seal (Magneto Side)	11	691245	Tube-Breather			Note
3	★299819	Seal-Oil (Magneto Side)	12	★692218	Gasket-Crankcase (.015" Thick) (Standard)			498668 Piston Assembly (Standard) (Used After Code Date 96020500 and Before Code Date 03080400).
4	698691	Sump-Engine (Used After Code Date 03111200).			Note			298904 Piston Assembly (Standard) (Used Before Code Date 96020600).
		Note			270895 Gasket- Crankcase (.005" Thick)			498669 Piston Assembly (.010" Oversize) (Used After Code Date 96020500).
		395384 Sump-Engine (Used Before Code Date 03111300).			270896 Gasket- Crankcase (.009" Thick)			298905 Piston Assembly (.020" Oversize) (Used Before Code Date 96020600).
5	690386	Head-Cylinder	13	691640	Screw (Cylinder Head)			498670 Piston Assembly (.020" Oversize) (Used After Code Date 96020500).
7	★698717	Gasket-Cylinder Head (Used After Code Date 04011800).			Note			298906 Piston Assembly (.020" Oversize) (Used Before Code Date 96020600).
		Note	15	691680	Plug-Oil Drain (Flush)			498671 Piston Assembly (.030" Oversize) (Used After Code Date 96020500).
		692288 Gasket- Cylinder Head (Used Before Code Date 04011900).	16	496839	Crankshaft			298907 Piston Assembly (.030" Oversize) (Used Before Code Date 96020600).
8	699640	Breather Assembly (Used After Code Date 03080300).			Note			
		Note			692989 Crankshaft Used on Type No(s). 1650, 2011.			
		495785 Breather Assembly (Used Before Code Date 03080400).	20	★391483	Seal-Oil (PTO Side)			
9	★695890	Gasket-Breather	22	691662	Screw (Crankcase Cover/Sump)			
			23	690843	Flywheel			
			24	222698	Key-Flywheel			

★ Included in Engine Gasket Set-Ref. No.358.

● Included in Carburetor Overhaul Kit-Ref. No. 121.

◆ Included in Carburetor Gasket Set-Ref. No. 977.

△ Included in Valve Gasket Set-Ref. No 1095.

Illustrations cover a range of engines. Parts shown without corresponding text may not be used on your specific engine.
0538-9 Assemblies include all parts shown in frames. 05/20/2004

10B900

REF. NO.	PART NO.	DESCRIPTION	REF. NO.	PART NO.	DESCRIPTION	REF. NO.	PART NO.	DESCRIPTION
26	699658	Ring Set (Standard) (Used After Code Date 03080300). ———— Note ———— 498680 Ring Set (Standard) (Used After Code Date 96020500 and Before Code Date 03080400). 298982 Ring Set (Standard) (Used Before Code Date 96020600). 498681 Ring Set (.010" Oversize) (Used After Code Date 96020500). 298983 Ring Set (.010" Oversize) (Used Before Code Date 96020600). 498682 Ring Set (.020" Oversize) (Used After Code Date 96020500). 298984 Ring Set (.020" Oversize) (Used Before Code Date 96020600). 498683 Ring Set (.030" Oversize) (Used After Code Date 96020500). 298985 Ring Set (.030" Oversize) (Used Before Code Date 96020600).	27	691588	Lock–Piston Pin	43	698690	Slinger–Governor/Oil (Used After Code Date 02110400). ———— Note ———— 691983 Slinger–Governor/Oil (Used Before Code Date 02110500).
			28	699659	Pin–Piston (Standard) (Used After Code Date 03080300). ———— Note ———— 298909 Pin–Piston (Standard) (Used Before Code Date 03080400). 298908 Pin–Piston (.005" Oversize)	45	691762	Tappet–Valve
			29	699655	Rod–Connecting (Used After Code Date 03080300). ———— Note ———— 496792 Rod–Connecting (Used Before Code Date 03080400).	46	691998	Camshaft
			32	691664	Screw (Connecting Rod)	50	699644	Manifold–Intake (Used After Code Date 03080300). ———— Note ———— 693446 Manifold–Intake (Used Before Code Date 03080400).
			33	296676	Valve–Exhaust	51	*699649	Gasket–Intake (Used After Code Date 03080300). ———— Note ———— 270345 Gasket–Intake (Used Before Code Date 03080400).
			34	296677	Valve–Intake	54	691111	Screw (Intake Manifold)
			35	690520	Spring–Valve (Intake)	55	692144	Housing–Rewind Starter
			36	690520	Spring–Valve (Exhaust)	58	697316	Rope–Starter (Cut To Required Length)
			37	690482	Guard–Flywheel (Carburetor Side)	60	691915	Grip–Starter Rope
			37A	691209	Guard–Flywheel (Muffler Side)			
			40	692194	Retainer–Valve			

★ Included in Engine Gasket Set–Ref. No.358.

● Included in Carburetor Overhaul Kit–Ref. No. 121.

◆ Included in Carburetor Gasket Set–Ref. No. 977.

△ Included in Valve Gasket Set–Ref. No 1095.

Illustrations cover a range of engines. Parts shown without corresponding text may not be used on your specific engine.

10B900

REF. NO.	PART NO.	DESCRIPTION	REF. NO.	PART NO.	DESCRIPTION	REF. NO.	PART NO.	DESCRIPTION
65	690837	Screw (Rewind Starter)	200	691912	Blade—Governor	271	691028	Lever—Control
66	399671	Clutch—Starter	201	690347	Link—Air Vane	287	691002	Screw (Dipstick Tube)
67	394897	Housing—Clutch	209	690251	Spring—Governor (Yellow) (Used After Code Date 96051900).	298	691720	Locknut—Muffler/Elbow
68	691604	Ball—Clutch				300	692307	Muffler (Super Lo Tone)
70	691945	Ratchet—Clutch				300A	394569	Muffler (Round Lo Tone)
71	691359	Cover—Ratchet				303	690291	Elbow—Exhaust
73	691725	Screen—Rotating (Used Before Code Date 97060600)				304	691484	Housing—Blower (Compliance Engines)
73A	699850	Screen—Rotating (Used After Code Date 03082400). ———— Note ———— 694018 Screen— Rotating (Used After Code Date 97060500 and Before Code Date 03082500).				304A	692536	Housing—Blower (Non Compliance Engines)
74	691627	Screw (Rotating Screen)				305	692198	Screw (Blower Housing)
75	691736	Washer (Flywheel)				306	690400	Shield—Cylinder
78	692198	Screw (Flywheel Guard)				307	690345	Screw (Cylinder Shield)
81	691179	Lock—Muffler Screw				332	690662	Nut (Flywheel)
90	498811	Carburetor (Used After Code Date 96051900). ———— Note ———— 497619 Carburetor (Used Before Code Date 96052000).				333	496914	Armature—Magneto
97	691931	Shaft—Throttle				334	691061	Screw (Magneto Armature)
106	691901	Seat—Inlet				335	691107	Screw (Magneto Armature With Air Vane)
130	691190	Valve—Throttle				337	802592	Plug—Spark
163	★271139	Gasket—Air Cleaner				346	690661	Screw (Spark Arrestor)
180	494406	Tank—Fuel (Metal)	211	691859	Spring—Governed Idle	356	692390	Wire—Stop
181	493982	Cap—Fuel Tank (Metal)	222	691445	Bracket—Control (Non Compliance)	356A	398808	Wire—Stop
188	692198	Screw (Control Bracket)	257	691660	Screw (Starter Clutch) (Used Before Code Date 97060600).	358	699933	Gasket Set—Engine
190	691640	Screw (Fuel Tank)	265A	690798	Clamp—Casing	363	19069	Puller—Flywheel
190A	692198	Screw (Fuel Tank)	267	691044	Screw (Casing Clamp)	365	692200	Screw (Carburetor)
			268	691072	Casing—Control Wire (Cut To Required Length)	383	89838	Wrench—Spark Plug
			269	691589	Wire—Control (Cut To Required Length)	390	691839	Spring—Choke Diaphragm
			270	691027	Nut (Control Wire Casing)	393	691837	Screen—Carburetor
						394	495770	Diaphragm—Carburetor
						426	691107	Screw (Governor Blade)

★ Included in Engine Gasket Set—Ref. No.358.

● Included in Carburetor Overhaul Kit—Ref. No. 121.

◆ Included in Carburetor Gasket Set—Ref. No. 977.

△ Included in Valve Gasket Set—Ref. No 1095.

Illustrations cover a range of engines. Parts shown without corresponding text may not be used on your specific engine.

0538-11

Assemblies include all parts shown in frames.

05/20/2004

10B900

REF. NO.	PART NO.	DESCRIPTION	REF. NO.	PART NO.	DESCRIPTION	REF. NO.	PART NO.	DESCRIPTION
455	691236	Cup-Flywheel	635	66538	Boot-Spark Plug	871	699643	Bushing-Valve Guide (Exhaust)
456	692299	Plate-Pawl Friction	643	691911	Retainer-Air Filter			(Used After Code Date 03080300).
459	281505	Pawl-Ratchet	668	692889	Spacer			Note
469	694420	Ring-Rotating Trim (Used Before Code Date 03082500).	670	691633	Spacer-Fuel Tank (Used After Code Date 97071300).			231348 Bushing-Valve Guide
523	692040	Dipstick			Note			(Exhaust)
523A	691913	Dipstick (Plastic)			691631 Spacer-Fuel Tank (Used Before Code Date 97071400).			(Used Before Code Date 03080400).
524	★692296	Seal-Dipstick Tube	689	691855	Spring-Friction (Ratchet Pawl)			63709 Bushing-Valve Guide (Intake)
525	691320	Tube-Dipstick	718	690959	Pin-Locating	883	★△691880	Gasket-Exhaust
529	692189	Grommet	718A	499047	Pin-Locating (Crankshaft)	913	494409	Seat-Check Valve
534	691417	Screw (Air Cleaner)	724	697478	Retainer-Seal	921	694044	Cover-Blower Housing
535	272235	Filter-Air Cleaner Foam	741	691805	Gear-Timing	930	691330	Guard-Rewind
535A	698369	Filter-Air Cleaner Foam	745	691146	Screw (Brake)	930B	691348	Guard-Rewind
536	493492	Cleaner-Air (Metal) (Used Before Code Date 02101100).	770A	499915	Kit-Rewind/Blower Housing	957	497929	Cap-Fuel Tank (Plastic)
536A	698472	Cleaner-Air (Plastic) (Used After Code Date 02101000).	832	494896	Guard-Muffler (Super Lo Tone)	969	692198	Screw (Blower Housing Cover)
592	690800	Nut (Rewind Starter)	832A	699670	Guard-Muffler (Round Lo Tone)	976	694394	Primer-Carburetor
597	691696	Screw (Pawl Friction Plate)	836	690664	Screw (Muffler Guard)	994	398067	Arrestor-Spark
608	499706	Starter-Rewind (Used After Code Date 97060500).	842	★691870	Seal-O Ring (Dipstick Tube)	1019	497624	Kit-Label
		Note	847	691440	Dipstick/Tube Assembly	1036	695108	Label-Emissions (Used After Code Date 99093000).
		499925 Starter-Rewind (5 O'Clock Non Compliance Engines)	851	493880	Terminal-Spark Plug			Note
612	496046	Tube-Pick Up	869	699641	Seat-Valve (Intake) (Used After Code Date 03080300).			694428 Label-Emissions (Used After Code Date 98123100 and Before Code Date 99100100).
613	691413	Screw (Muffler) (Super Lo Tone)			Note			499337 Label-Emissions (Used After Code Date 97052500 and Before Code Date 99010100).
617	270344	Seal-O Ring (Intake Manifold)			691701 Seat-Valve (Intake) (Used Before Code Date 03080400).	1058	275508	Operator's Manual
621	692310	Switch-Stop	870	699642	Seat-Valve (Exhaust) (Used After Code Date 03080300).	1095	498526	Gasket Set-Valve
633	691321	Seal-Choke/Throttle Shaft (Throttle)			Note	1210	499901	Pulley/Spring Assembly (Pulley)
					691702 Seat-Valve (Exhaust) (Used Before Code Date 03080400).	1211	499901	Pulley/Spring Assembly (Spring)
						1218	695866	Seal-O Ring (Carburetor)
						1330	270962	Repair Manual

★ Included in Engine Gasket Set-Ref. No.358.

● Included in Carburetor Overhaul Kit-Ref. No. 121.

◆ Included in Carburetor Gasket Set-Ref. No. 977.

△ Included in Valve Gasket Set-Ref. No.1095.

Illustrations cover a range of engines. Parts shown without corresponding text may not be used on your specific engine.