

10D900

Illustrated Parts List

Model Series

10D900

TYPE NUMBERS
0100 through 5000.

TABLE OF CONTENTS

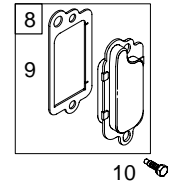
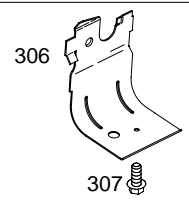
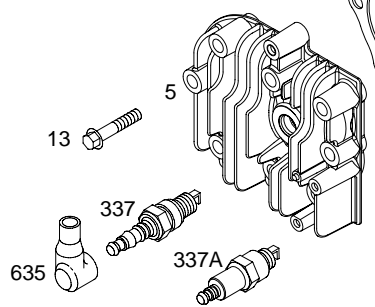
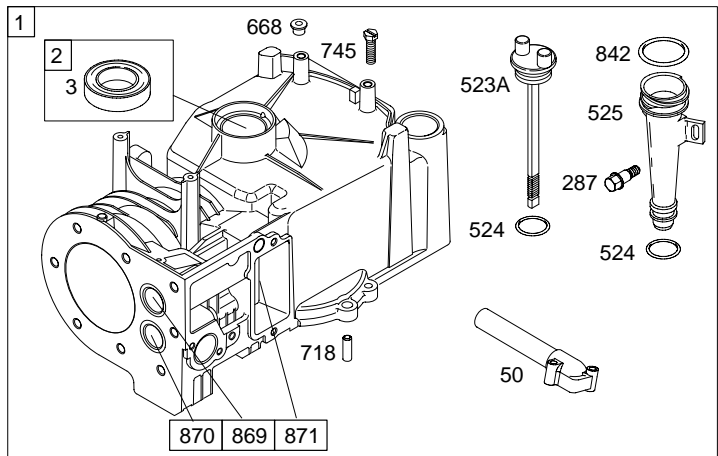
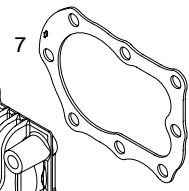
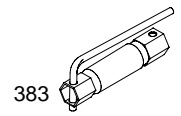
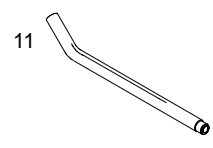
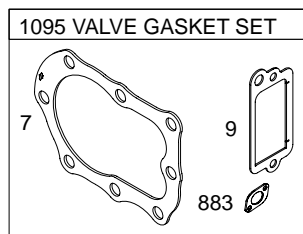
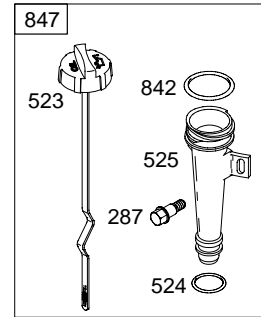
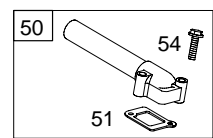
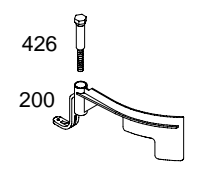
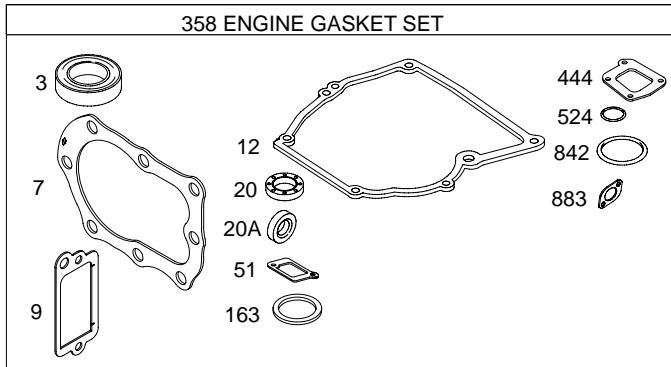
Air Cleaner	6
Blower Housing/Shrouds	7
Brakes	9
Cams	3
Carburetor	4
Controls	5
Crankcase Cover/Sump	3
Crankshaft	3
Cylinder	2
Flywheel	7
Fuel Tank	4
Governor Spring	5
Head	2
Ignition	5
Kits/Gaskets – Engine	2
Kits/Gaskets – Valve	2
Muffler	6
Oil Group	2
Piston Group	3
Rewind/Blower Housing	8
Valves	3



PRINTED IN U.S.A.

COPYRIGHT by BRIGGS & STRATTON CORPORATION
All rights reserved. No part of this material may be reproduced or transmitted, in any form or by any means, electronic or mechanical, including photocopying, recording or by any information storage and retrieval system, without permission in writing from Briggs & Stratton Corporation.

10D900

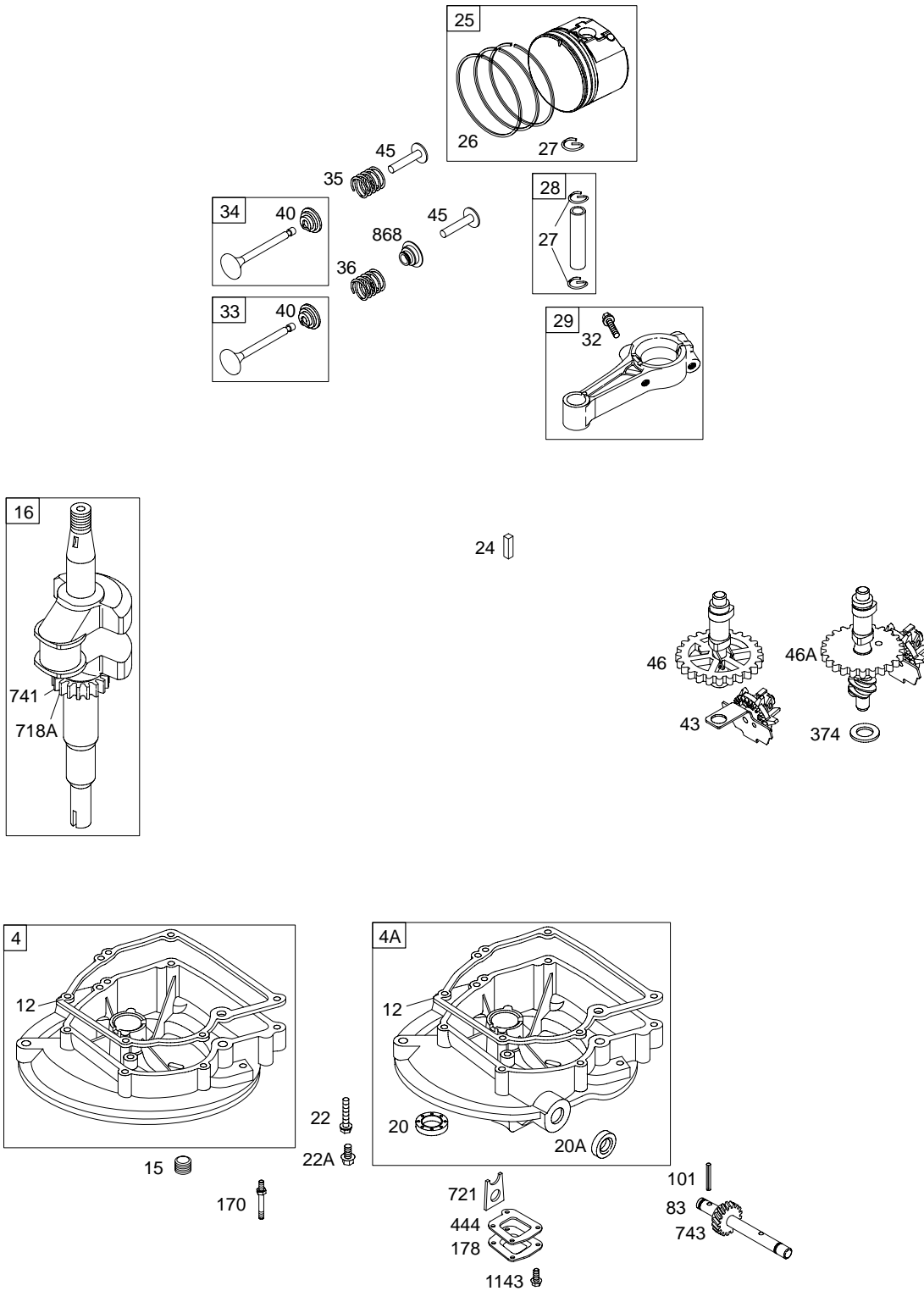


1019 LABEL KIT

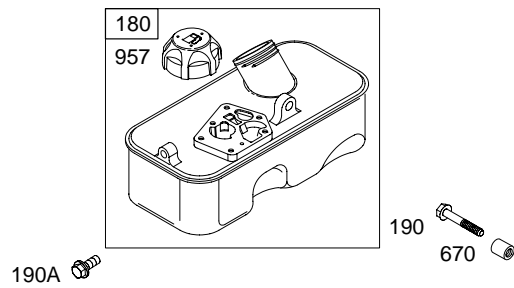
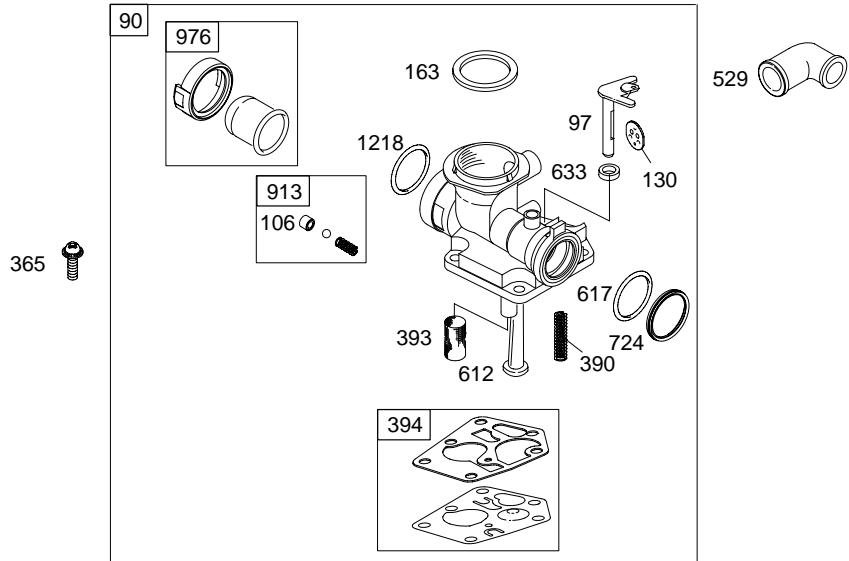
1058 OWNER'S MANUAL

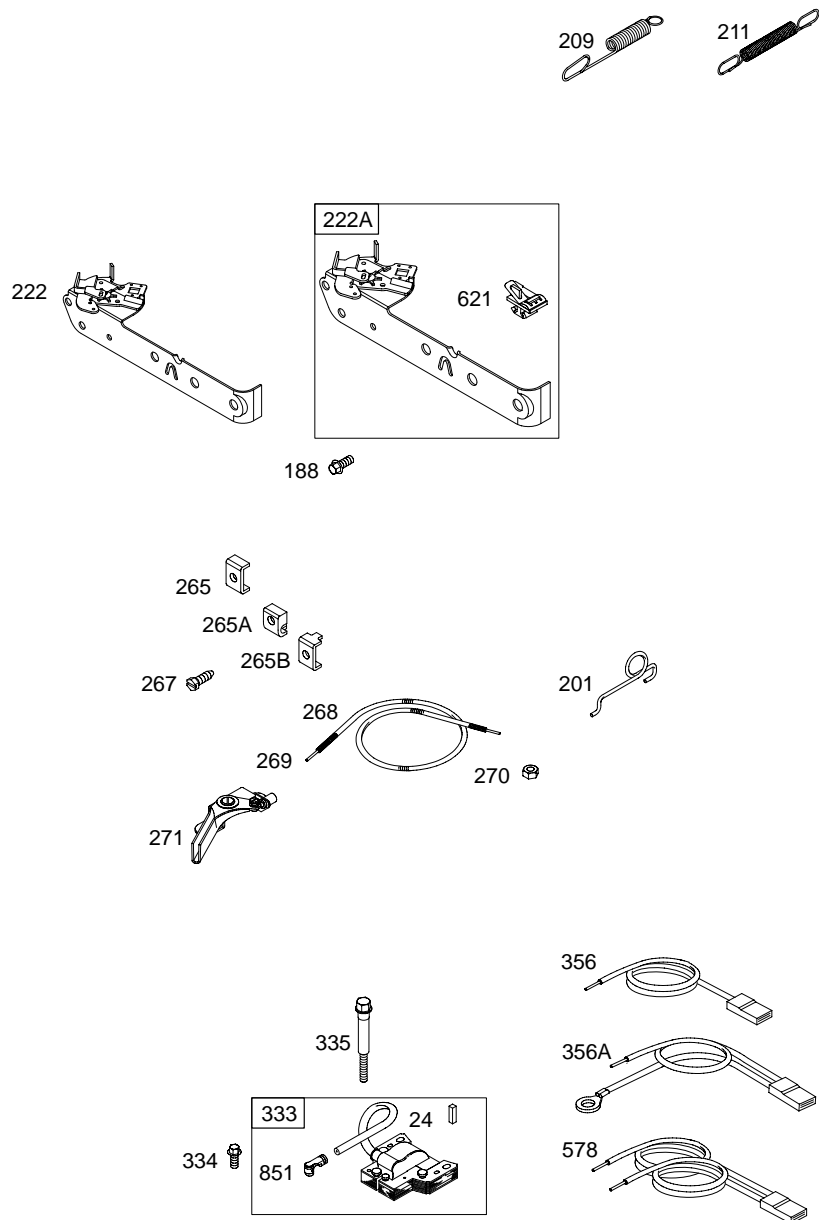
1330 REPAIR MANUAL

Illustrations cover a range of engines. Parts shown without corresponding text may not be used on your specific engine.
6379-2 Assemblies include all parts shown in frames. **05/26/2004**

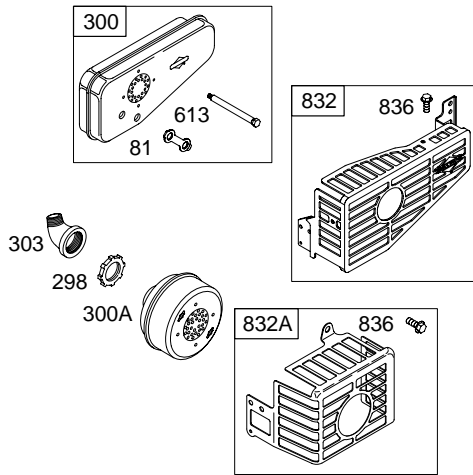
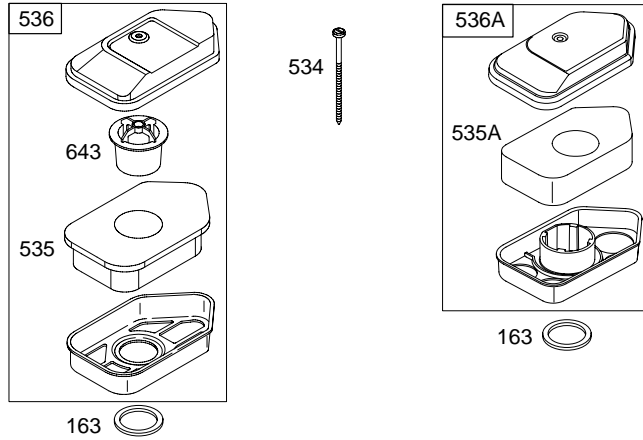


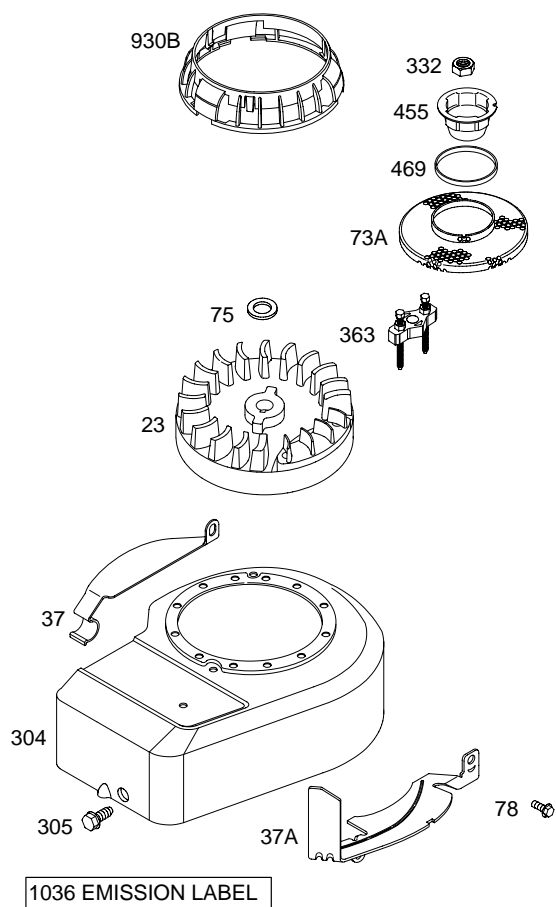
Illustrations cover a range of engines. Parts shown without corresponding text may not be used on your specific engine.
 6379-3 Assemblies include all parts shown in frames. 05/26/2004



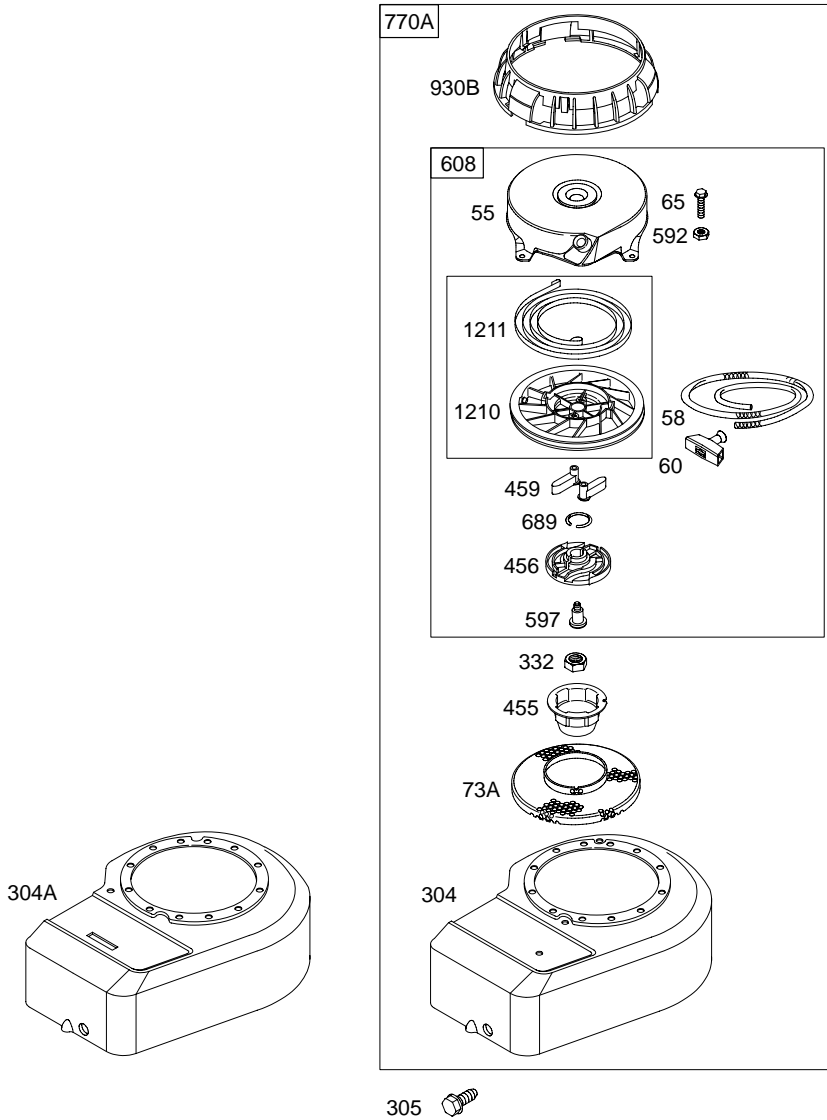


Illustrations cover a range of engines. Parts shown without corresponding text may not be used on your specific engine.
6379-5 Assemblies include all parts shown in frames. **05/26/2004**

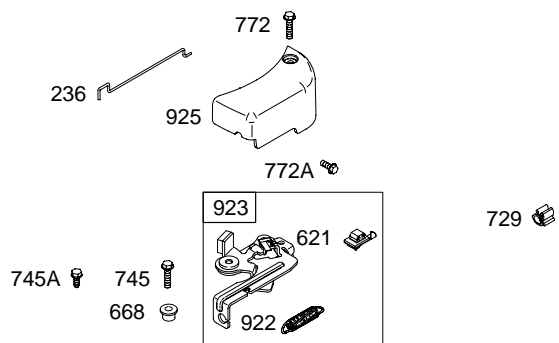




Illustrations cover a range of engines. Parts shown without corresponding text may not be used on your specific engine.
6379-7 Assemblies include all parts shown in frames. 05/26/2004



Illustrations cover a range of engines. Parts shown without corresponding text may not be used on your specific engine.
6379-8 Assemblies include all parts shown in frames. 05/26/2004



10D900

REF. NO.	PART NO.	DESCRIPTION	REF. NO.	PART NO.	DESCRIPTION	REF. NO.	PART NO.	DESCRIPTION
1	699653	Cylinder Assembly	11	691245	Tube-Breather	24	222698	Key-Flywheel
2	399269	Kit-Bushing/Seal (Magneto Side)	12	★692218	Gasket-Crankcase (.015" Thick) (Standard)	25	699656	Piston Assembly (Standard) (Used After Code Date 03080300).
3	★299819	Seal-Oil (Magneto Side)			Note _____			Note _____
4	698691	Sump-Engine (Used After Code Date 02111200).			270895 Gasket-Crankcase (.005" Thick)			498668 Piston Assembly (Standard) (Used Before Code Date 03080400).
		Note _____			270896 Gasket-Crankcase (.009" Thick)			498669 Piston Assembly (.010" Oversize) (Used Before Code Date 03080400).
		395384 Sump-Engine (Used Before Code Date 02111300).	13	691640	Screw (Cylinder Head)			498670 Piston Assembly (.020" Oversize) (Used Before Code Date 03080400).
4A	395390	Sump-Engine (Auxiliary Shaft)	15	691680	Plug-Oil Drain (1/2" Square Flush)			498671 Piston Assembly (.030" Oversize) (Used Before Code Date 03080400).
5	690386	Head-Cylinder	16	691471	Crankshaft			
7	★Δ698717	Gasket-Cylinder Head (Used After Code Date 03080300).			Note _____			
		Note _____			691472 Crankshaft Used on Type No(s). 0116, 0119, 0131, 0140, 0144, 0155, 0159, 0160, 0163, 0164, 0250.			
8	699640	Breather Assembly (Used After Code Date 03080300).			692989 Crankshaft Used on Type No(s). 0133, 0137, 0151.			
		Note _____	20	★391483	Seal-Oil (PTO Side)	26	699658	Ring Set (Standard) (Used After Code Date 03080300).
		495785 Breather Assembly (Used Before Code Date 03080400).	20A	★691952	Seal-Oil (PTO Side)			Note _____
			22	691662	Screw (Crankcase Cover/Sump)			498680 Ring Set (Standard) (Used Before Code Date 03080400).
9	★Δ695890	Gasket-Breather	22A	691108	Screw (Crankcase Cover/Sump)			498681 Ring Set (.010" Oversize) (Used Before Code Date 03080400).
10	691666	Screw (Breather Assembly)	23	692009	Flywheel			498682 Ring Set (.020" Oversize) (Used Before Code Date 03080400).
					Note _____			498683 Ring Set (.030" Oversize) (Used Before Code Date 03080400).
					690843 Flywheel Used on Type No(s). 0120, 0133, 0137, 0144, 0150, 0161, 0162.			

★ Included in Engine Gasket Set-Ref. No.358.

● Included in Carburetor Overhaul Kit-Ref. No. 121.

◆ Included in Carburetor Gasket Set-Ref. No. 977.

Δ Included in Valve Gasket Set-Ref. No 1095.

Illustrations cover a range of engines. Parts shown without corresponding text may not be used on your specific engine.

10D900

REF. NO.	PART NO.	DESCRIPTION	REF. NO.	PART NO.	DESCRIPTION	REF. NO.	PART NO.	DESCRIPTION		
27	691588	Lock-Piston Pin	45	691762	Tappet-Valve	83	691240	Shaft-Auxiliary Drive		
28	699659	Pin-Piston (Standard) (Used After Code Date 03080300).	46	691998	Camshaft	90	498811	Carburetor		
		Note	46A	690644	Camshaft (Counterclockwise)	97	691931	Shaft-Throttle		
	298909	Pin-Piston (Standard) (Used Before Code Date 03080400).	50	699644	Manifold-Intake (Used After Code Date 03080300).	101	691623	Pin-Shaft		
	298908	Pin-Piston (.005" Oversize) (Used Before Code Date 03080400)			Note	106	691901	Seat-Inlet		
29	699654	Rod-Connecting (Used After Code Date 03080300).			693446	Manifold-Intake (Used Before Code Date 03080400).	130	691190	Valve-Throttle	
		Note	51	★699649	Gasket-Intake (Used After Code Date 03080300).			163	★271139	Gasket-Air Cleaner
	496792	Rod-Connecting (Used Before Code Date 03080400).			270345	Gasket-Intake (Used Before Code Date 03080400).	170	691690	Stud (Crankcase Cover/Sump)	
32	691664	Screw (Connecting Rod)	54	93485	Screw (Intake Manifold)	178	690398	Cover-Drive Gear		
33	296676	Valve-Exhaust	55	692144	Housing-Rewind Starter	180	494406	Tank-Fuel (Metal)		
34	296677	Valve-Intake	58	697316	Rope-Starter (Cut To Required Length)	188	692198	Screw (Control Bracket)		
35	690520	Spring-Valve (Intake)	60	691915	Grip-Starter Rope	190	691640	Screw (Fuel Tank) (1 29/32" Long)		
36	690520	Spring-Valve (Exhaust)	65	690837	Screw (Rewind Starter)	190A	692198	Screw (Fuel Tank) (7/16" Long)		
37	690482	Guard-Flywheel (Carburetor Side)	73A	699850	Screen-Rotating (Used After Code Date 03082400).					
37A	691209	Guard-Flywheel (Muffler Side)			Note					
40	692194	Retainer-Valve			694018	Screen-Rotating (Used Before Code Date 03082500).				
43	698690	Slinger-Governor/Oil (Used After Code Date 02110400).	75	691736	Washer (Flywheel)					
		Note	78	692198	Screw (Flywheel Guard)					
	691983	Slinger-Governor/Oil (Used Before Code Date 02110500).	81	691179	Lock-Muffler Screw					

★ Included in Engine Gasket Set-Ref. No.358.

● Included in Carburetor Overhaul Kit-Ref. No. 121.

◆ Included in Carburetor Gasket Set-Ref. No. 977.

△ Included in Valve Gasket Set-Ref. No 1095.

Illustrations cover a range of engines. Parts shown without corresponding text may not be used on your specific engine.

6379-11

Assemblies include all parts shown in frames.

05/26/2004

10D900

REF. NO.	PART NO.	DESCRIPTION	REF. NO.	PART NO.	DESCRIPTION	REF. NO.	PART NO.	DESCRIPTION
200	691912	Blade—Governor	211	691859	Spring—Governed Idle	303	690291	Elbow—Exhaust
201	690347	Link—Air Vane	222	691445	Bracket—Control	304	691484	Housing—Blower
209	691297	Spring—Governor (White)	222A	691446	Bracket—Control Used on Type No(s). 0100, 0121, 0122, 0128, 0130, 0135, 0151, 0155, 0157, 0158, 0159, 0160, 0163, 0164, 0246.			(Compliance Engines)
		Note						Note
	690251	Spring—Governor (Yellow) Used on Type No(s). 0117, 0121, 0122, 0128, 0135, 0136, 0139, 0140, 0141, 0142, 0145, 0146, 0150, 0161, 0162.	236	691867	Link—Lockout Used on Type No(s). 0132, 0139, 0140.	304A	694236	Housing—Blower (Compliance Engines) Used on Type No(s). 0145, 0147, 0157, 0158, 0159, 0160.
	691862	Spring—Governor (Dark Green) Used on Type No(s). 0133, 0144.	265A	690798	Clamp—Casing	305	692198	Screw (Blower Housing)
	690254	Spring—Governor (Light Blue) Used on Type No(s). 0120, 0129, 0143, 0146, 0147, 0148, 0149, 0152, 0153, 0155, 0157, 0158, 0159, 0160, 0163, 0166, 0246, 0251.	265B	691024	Clamp—Casing Used on Type No(s). 0116.	306	690400	Shield—Cylinder
	690252	Spring—Governor (Pink) Used on Type No(s). 0131.	267	691044	Screw (Casing Clamp)	307	690345	Screw (Cylinder Shield)
	692211	Spring—Governor (No Color) Used on Type No(s). 0137.	268	691072	Casing—Control Wire (Cut To Required Length)	332	690662	Nut (Flywheel)
			269	691589	Wire—Control (Cut To Required Length)	333	496914	Armature—Magneto
			270	691027	Nut (Control Wire Casing)	334	691061	Screw (Magneto Armature)
			271	691028	Lever—Control	335	691107	Screw (Magneto Armature With Air Vane)
			287	691002	Screw (Dipstick Tube)	337	802592	Plug—Spark
			298	691720	Locknut—Muffler/Elbow	337A	697451	Plug—Spark Used on Type No(s). 0136, 0166.
			300	692307	Muffler (Super Lo Tone)	356	692390	Wire—Stop
			300A	394569	Muffler (Round Lo Tone) Used on Type No(s). 0137, 0144, 0151, 0246, 0250, 0251.	356A	398808	Wire—Stop
						358	699933	Gasket Set—Engine
						363	19069	Puller—Flywheel
						365	692200	Screw (Carburetor)
						374	691074	Washer (Camshaft)

★ Included in Engine Gasket Set—Ref. No.358.

● Included in Carburetor Overhaul Kit—Ref. No. 121.

◆ Included in Carburetor Gasket Set—Ref. No. 977.

△ Included in Valve Gasket Set—Ref. No 1095.

Illustrations cover a range of engines. Parts shown without corresponding text may not be used on your specific engine.

10D900

REF. NO.	PART NO.	DESCRIPTION	REF. NO.	PART NO.	DESCRIPTION	REF. NO.	PART NO.	DESCRIPTION
383	89838	Wrench–Spark Plug	635	66538	Boot–Spark Plug	871	699643	Bushing–Valve Guide (Exhaust)
390	691839	Spring–Choke Diaphragm	643	691911	Retainer–Air Filter			(Used After Code Date 03080300).
			668	692889	Spacer			————— Note —————
393	691837	Screen–Carburetor	670	691633	Spacer–Fuel Tank			231348 Bushing–Valve Guide
394	495770	Diaphragm–Carburetor	689	691855	Spring–Friction			(Exhaust)
426	691107	Screw (Governor Blade)	718	690959	Pin–Locating			(Used Before Code Date 03080400).
			718A	499047	Pin–Locating			63709 Bushing–Valve Guide
444	★691868	Gasket–Drive Gear Cover	721	690397	Stop–Shaft			(Intake)
			724	697478	Retainer–Seal			————— Note —————
455	691236	Cup–Flywheel	729	690586	Clip–Wire			692050 Cap–Fuel Tank
456	692299	Plate–Pawl Friction	741	691805	Gear–Timing			(Plastic)
459	281505	Pawl–Ratchet	743	691772	Gear–Drive			(Black)
469	694420	Ring–Rotating Trim	745	691146	Screw (Brake)			
523	692040	Dipstick				883	★△691880	Gasket–Exhaust
523A	691913	Dipstick	745A	690859	Screw (Brake)	913	494409	Seat–Check Valve
524	★692296	Seal–Dipstick Tube				922	692135	Spring–Brake
525	691320	Tube–Dipstick	770A	499915	Kit–Rewind/Blower Housing	923	691487	Brake
529	692189	Grommet				925	691349	Cover–Linkage
534	691417	Screw (Air Cleaner)	772	691111	Screw (Linkage Cover)	930B	691348	Guard–Rewind
			772A	690345	Screw (Linkage Cover)	957	497929	Cap–Fuel Tank (Plastic)
535	272235	Filter–Air Cleaner Foam						(Black)
535A	698369	Filter–Air Cleaner Foam	832	494896	Guard–Muffler			————— Note —————
			832A	699670	Guard–Muffler			692050 Cap–Fuel Tank
536	493492	Cleaner–Air (Metal)	836	690664	Screw (Muffler Guard)			(Plastic)
		(Used Before Code Date 02101100).	842	★691870	Seal–O Ring (Dipstick Tube)			(Red)
536A	698472	Cleaner–Air (Plastic)	847	691440	Dipstick/Tube Assembly	976	694394	Primer–Carburetor
		(Used After Code Date 02101000).				1019	695140	Kit–Label
578	398153	Wire Assembly	851	493880	Terminal–Spark Plug	1036	695108	Label–Emissions
592	690800	Nut (Rewind Starter)	868	697338	Seal–Valve Used on Type No(s). 5000.			(Used After Code Date 99093000).
597	691696	Screw (Pawl Friction Plate)	869	699641	Seat–Valve (Intake)			————— Note —————
608	499706	Starter–Rewind						694428 Label–Emissions
612	496046	Tube–Pick Up						(Used Before Code Date 99100100).
613	691413	Screw (Muffler)						697578 Label–Emissions
617	270344	Seal–O Ring (Intake Manifold)						Used on Type No(s). 5000.
621	692310	Switch–Stop				1058	275508	Operator’s Manual
633	691321	Seal–Choke/Throttle Shaft (Throttle)	870	699642	Seat–Valve (Exhaust)	1095	498526	Gasket Set–Valve
						1143	691141	Screw (Drive Gear Cover)
								(Used After Code Date 03080300).
						1210	499901	Pulley/Spring Assembly (Pulley)
								————— Note —————
						1211	499901	Pulley/Spring Assembly (Spring)
								691701 Seat–Valve (Intake)
								(Used Before Code Date 03080400).
						1218	695866	Seal–O Ring (Carburetor)
								(Used After Code Date 03080300).
						1330	270962	Repair Manual

★ Included in Engine Gasket Set–Ref. No.358.

● Included in Carburetor Overhaul Kit–Ref. No. 121.

◆ Included in Carburetor Gasket Set–Ref. No. 977.

△ Included in Valve Gasket Set–Ref. No 1095.

Illustrations cover a range of engines. Parts shown without corresponding text may not be used on your specific engine.