

10E900

Illustrated Parts List

Model Series

10E900

TYPE NUMBERS
0015 through 0207.

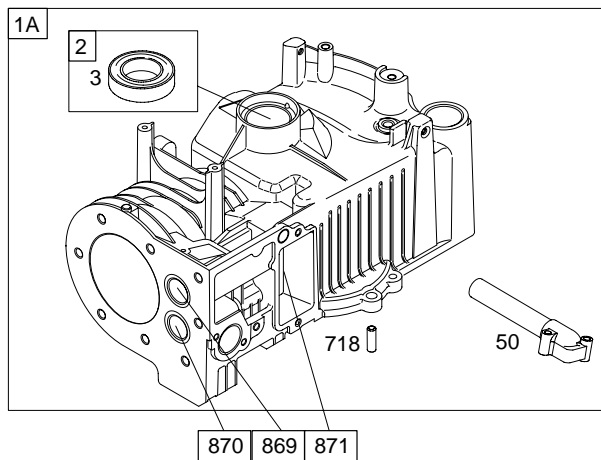
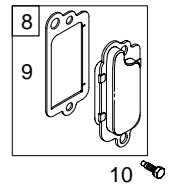
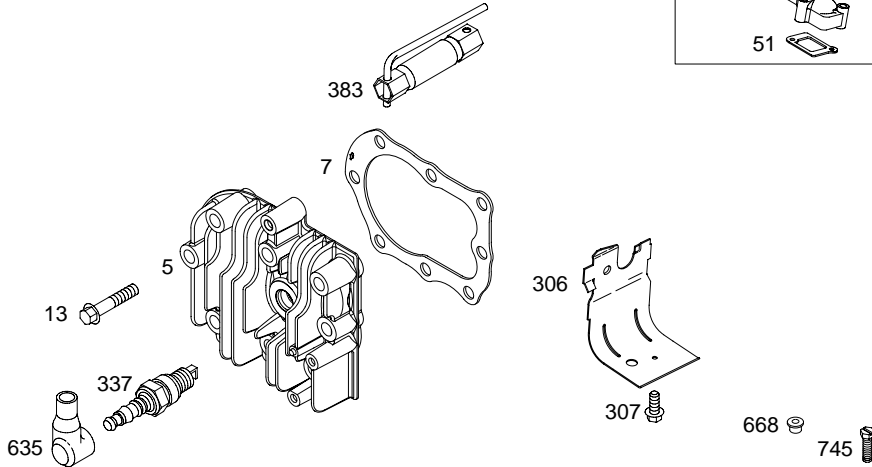
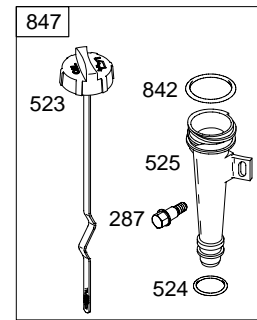
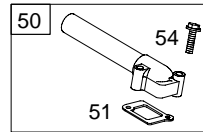
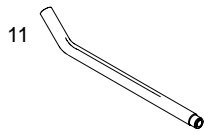
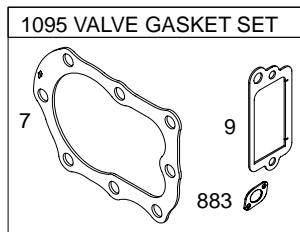
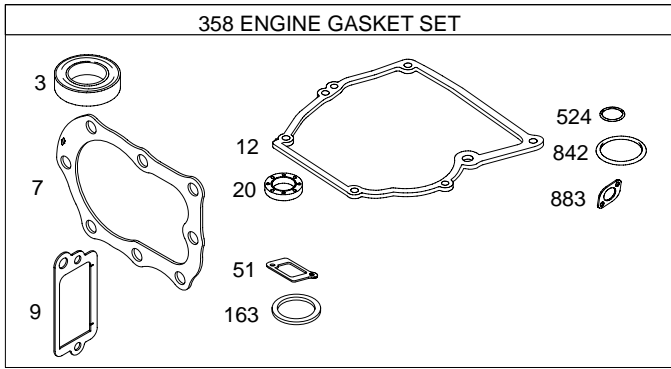
TABLE OF CONTENTS

Air Cleaner	6
Blower Housing/Shrouds	7
Brakes	9
Cams	3
Carburetor	4
Controls	5
Crankcase Cover/Sump	3
Crankshaft	3
Cylinder	2
Flywheel	7
Fuel Tank	4
Governor Spring	5
Head	2
Ignition	5
Kits/Gaskets – Engine	2
Kits/Gaskets – Valve	2
Muffler	6
Oil Group	2
Piston Group	3
Rewind/Blower Housing	8
Valves	3



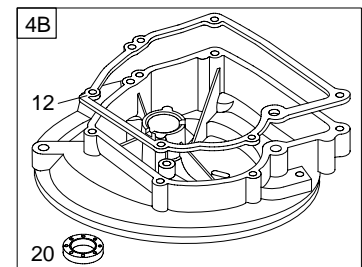
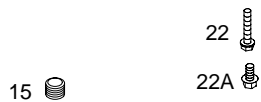
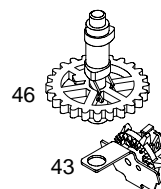
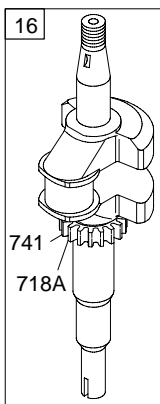
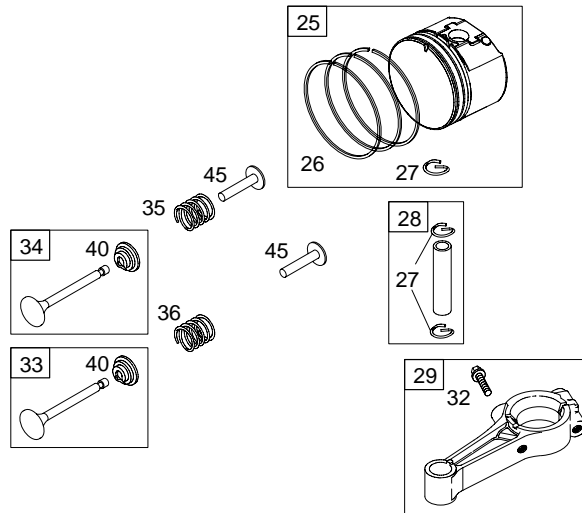
PRINTED IN U.S.A.

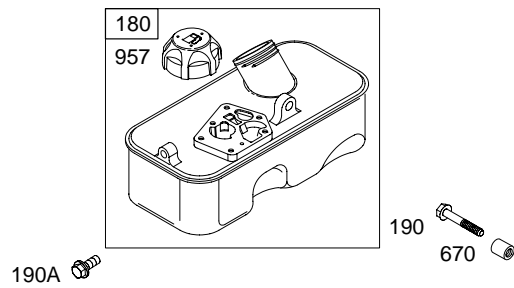
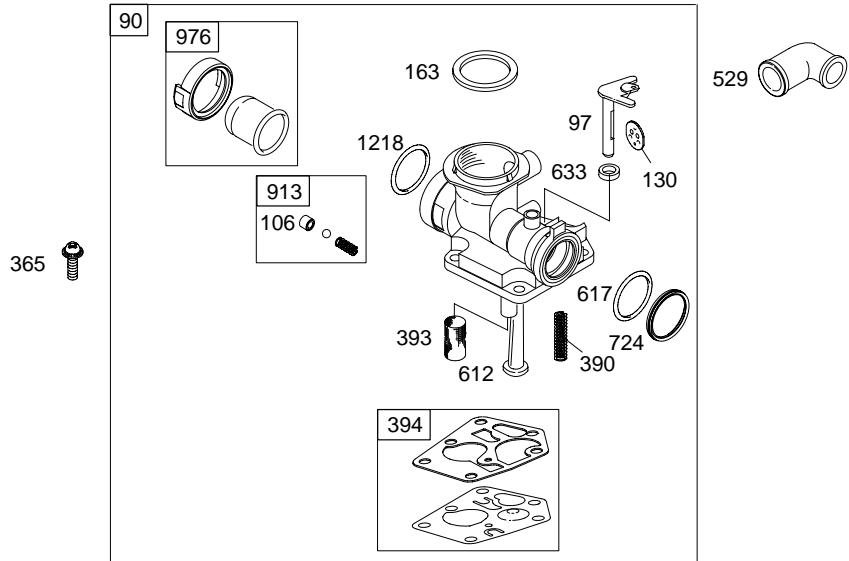
COPYRIGHT by BRIGGS & STRATTON CORPORATION
All rights reserved. No part of this material may be reproduced or transmitted, in any form or by any means, electronic or mechanical, including photocopying, recording or by any information storage and retrieval system, without permission in writing from Briggs & Stratton Corporation.

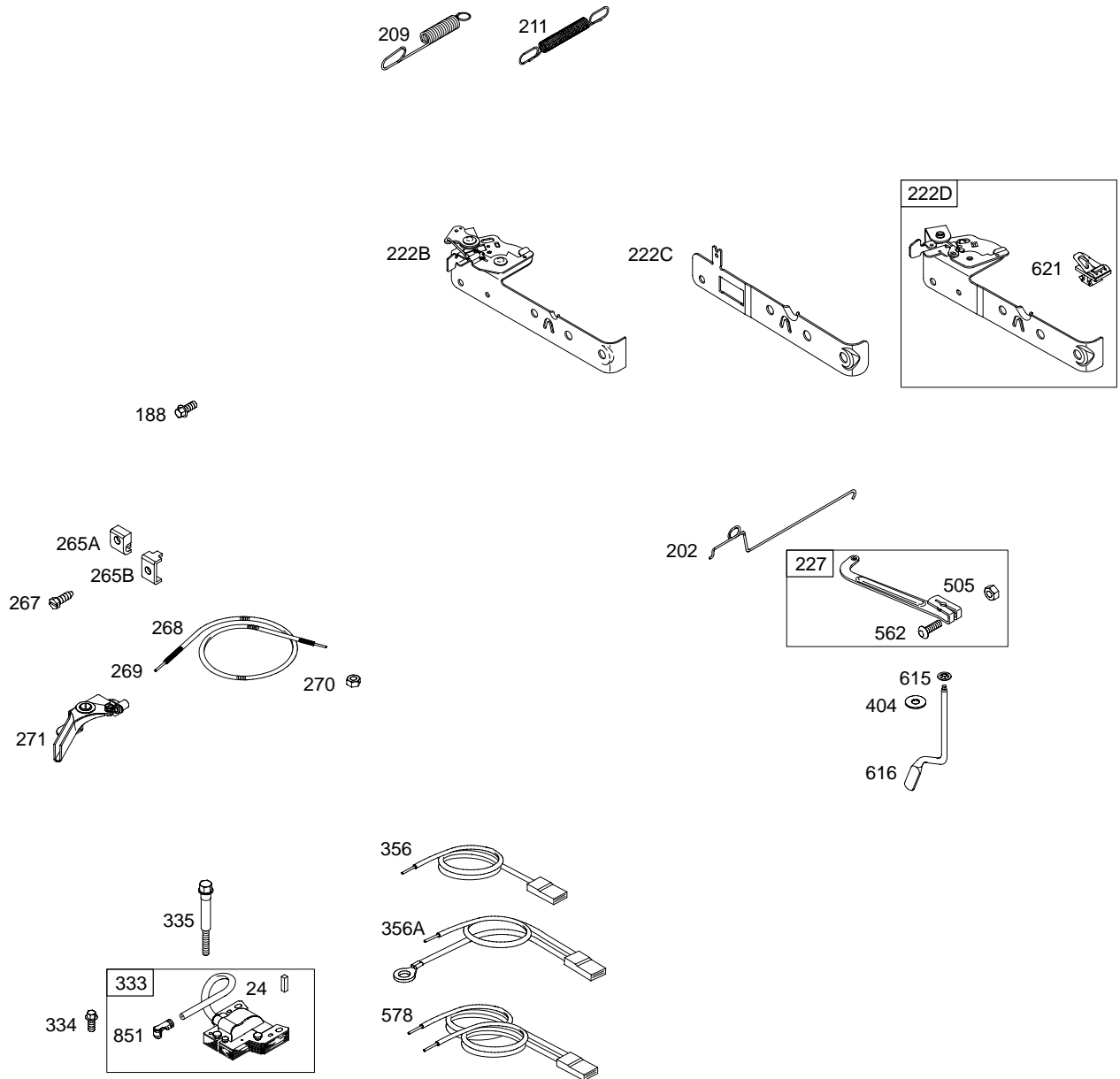


- 1019 LABEL KIT
- 1058 OWNER'S MANUAL
- 1330 REPAIR MANUAL

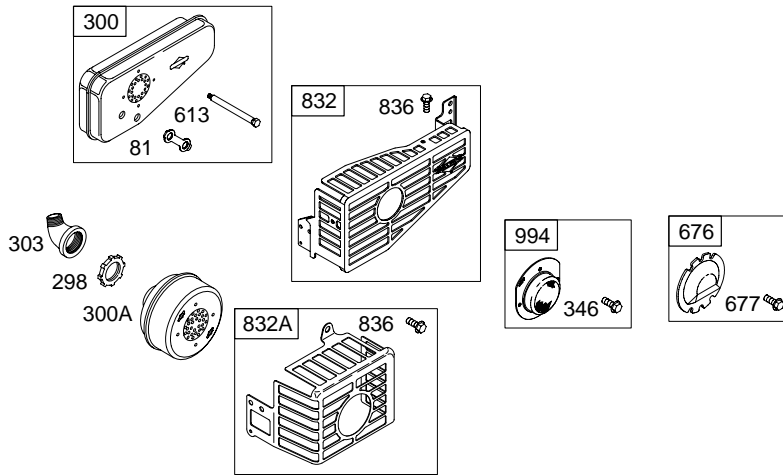
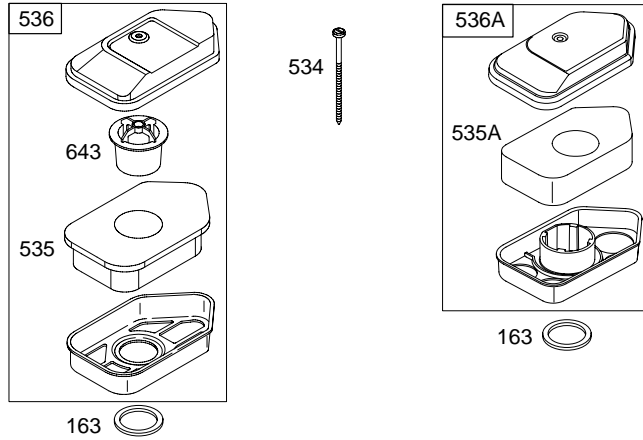
Illustrations cover a range of engines. Parts shown without corresponding text may not be used on your specific engine.
 5039-2 Assemblies include all parts shown in frames. 05/20/2004

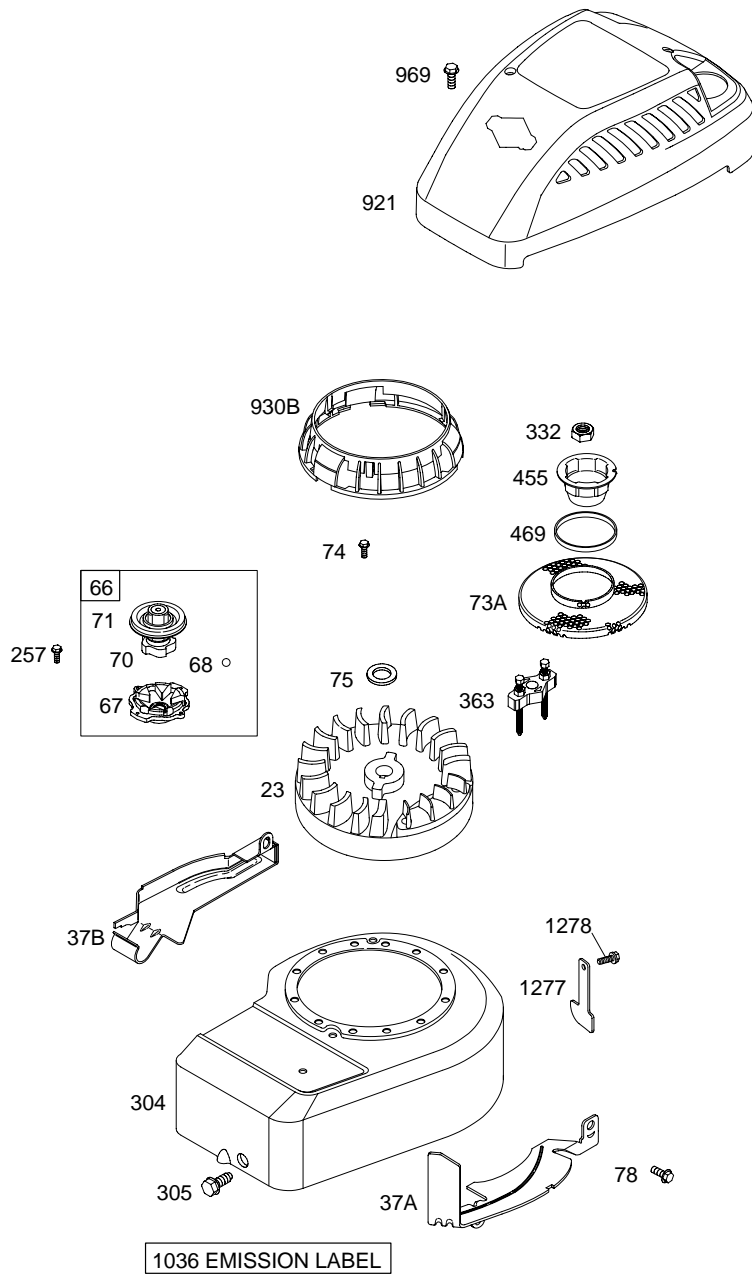


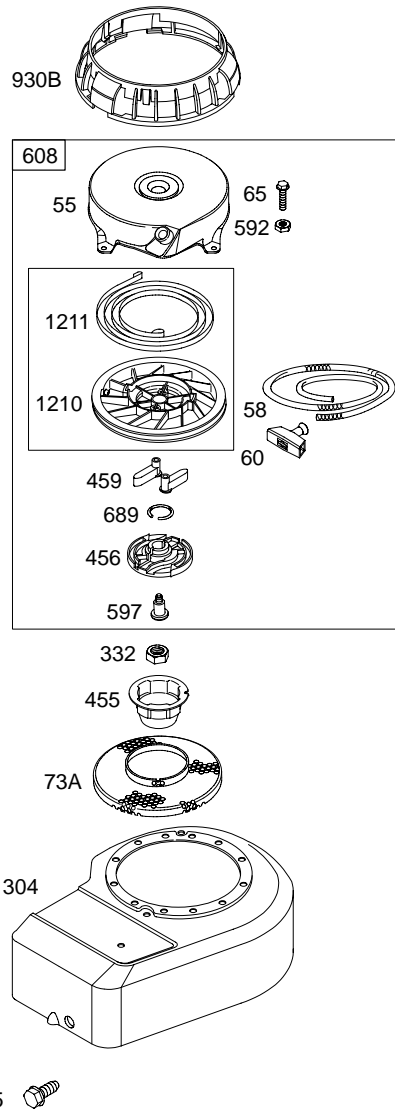


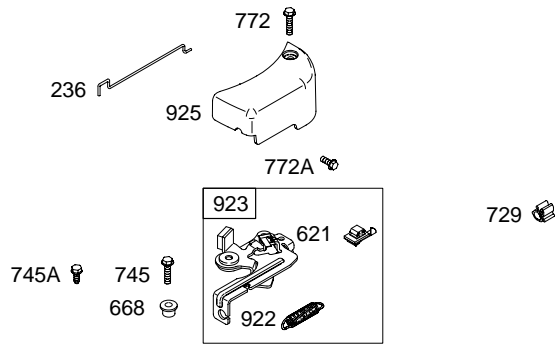


5039-5 *Illustrations cover a range of engines. Parts shown without corresponding text may not be used on your specific engine.* Assemblies include all parts shown in frames. 05/20/2004









10E900

REF. NO.	PART NO.	DESCRIPTION	REF. NO.	PART NO.	DESCRIPTION	REF. NO.	PART NO.	DESCRIPTION
1A	699650	Cylinder Assembly (Used After Code Date 03080300). ———— Note ———— 697401 Cylinder Assembly (Used Before Code Date 03080400).	12	★692218	Gasket—Crankcase (.015" Thick) (Standard) ———— Note ———— 270895 Gasket—Crankcase (.005" Thick) 270896 Gasket—Crankcase (.009" Thick)	23	692009	Flywheel
2	399269	Kit—Bushing/Seal (Magneto Side)				24	222698	Key—Flywheel
3	★299819	Seal—Oil (Magneto Side)	13	691640	Screw (Cylinder Head)	25	699657	Piston Assembly (Standard) (Used After Code Date 03080300). ———— Note ———— 498668 Piston Assembly (Standard) (Used Before Code Date 03080400). 498670 Piston Assembly (.020" Oversize)
4B	698691	Sump—Engine	15	691680	Plug—Oil Drain (Flush)			
5	690386	Head—Cylinder	16	691471	Crankshaft Used on Type No(s). 0113. ———— Note ———— 691472 Crankshaft Used on Type No(s). 0015, 0100, 0111, 0112, 0116, 0117, 0207. 692989 Crankshaft Used on Type No(s). 0018.	26	699658	Ring Set (Standard) (Used After Code Date 03080300). ———— Note ———— 498680 Ring Set (Standard) (Used Before Code Date 03080400). 498682 Ring Set (.020" Oversize)
7	★Δ698717	Gasket—Cylinder Head (Used After Code Date 04011800). ———— Note ———— 692288 Gasket—Cylinder Head (Used Before Code Date 04011900).						
8	699640	Breather Assembly (Used After Code Date 03080300). ———— Note ———— 495785 Breather Assembly (Used Before Code Date 03080400).	20	★391483	Seal—Oil (PTO Side)	27	691588	Lock—Piston Pin
9	★Δ695890	Gasket—Breather	22	691662	Screw (Crankcase Cover/Sump)	28	699659	Pin—Piston (Standard) (Used After Code Date 03080300). ———— Note ———— 298909 Pin—Piston (Standard) (Used Before Code Date 03080400).
10	691666	Screw (Breather Assembly)	22A	691108	Screw (Crankcase Cover/Sump)			
11	691245	Tube—Breather						

★ Included in Engine Gasket Set—Ref. No.358.

● Included in Carburetor Overhaul Kit—Ref. No. 121.

◆ Included in Carburetor Gasket Set—Ref. No. 977.

Δ Included in Valve Gasket Set—Ref. No 1095.

Illustrations cover a range of engines. Parts shown without corresponding text may not be used on your specific engine.

REF. NO.	PART NO.	DESCRIPTION	REF. NO.	PART NO.	DESCRIPTION	REF. NO.	PART NO.	DESCRIPTION
29	699655	Rod-Connecting (Used After Code Date 03080300). ———— Note ———— 496792 Rod-Connecting (Used Before Code Date 03080400).	54	691111	Screw (Intake Manifold)	190	691640	Screw (Fuel Tank)
32	691664	Screw (Connecting Rod)	55	692144	Housing-Rewind Starter	190A	692198	Screw (Fuel Tank)
33	296676	Valve-Exhaust	58	697316	Rope-Starter (Cut To Required Length)	202	698835	Link-Mechanical Governor
34	296677	Valve-Intake	60	691915	Grip-Starter Rope	209	697440	Spring-Governor (Brown) ———— Note ———— 698726 Spring-Governor (Pink) Used on Type No(s). 0113, 0116, 0117.
35	690520	Spring-Valve (Intake)	65	690837	Screw (Rewind Starter)			697801 Spring-Governor (Red) (Used Before Code Date 02091600). Used on Type No(s). 0113.
36	690520	Spring-Valve (Exhaust)	66	399671	Clutch-Starter			698719 Spring-Governor (Light Blue) (Used After Code Date 02091500). Used on Type No(s). 0015, 0018, 0100, 0111, 0112, 0207.
37A	691209	Guard-Flywheel (Muffler Side)	67	394897	Housing-Clutch			697440 Spring-Governor (Brown) (Used Before Code Date 02091600). Used on Type No(s). 0015, 0018, 0111.
37B	697403	Guard-Flywheel (Carburetor Side)	68	691604	Ball-Clutch			697797 Spring-Governor (Gold) (Used Before Code Date 02091500). Used on Type No(s). 0207.
40	692194	Retainer-Valve	70	691945	Ratchet-Clutch			
43	697799	Slinger-Governor/Oil	71	691359	Cover-Ratchet			
45	691762	Tappet-Valve	73A	699850	Screen-Rotating (Used After Code Date 03082400). ———— Note ———— 694018 Screen-Rotating (Used Before Code Date 03082500).			
46	691998	Camshaft	74	691627	Screw (Rotating Screen)			
50	699644	Manifold-Intake (Used After Code Date 03080300). ———— Note ———— 693446 Manifold-Intake (Used Before Code Date 03080400).	75	691736	Washer (Flywheel)			
51	★699649	Gasket-Intake (Used After Code Date 03080300). ———— Note ———— 270345 Gasket-Intake (Used Before Code Date 03080400).	78	692198	Screw (Flywheel Guard)			
			81	691179	Lock-Muffler Screw			
			90	697415	Carburetor			
			97	697414	Shaft-Throttle			
			106	691901	Seat-Inlet			
			130	691190	Valve-Throttle			
			163	★271139	Gasket-Air Cleaner			
			180	494406	Tank-Fuel (Metal)			
			188	692198	Screw (Control Bracket)			

★ Included in Engine Gasket Set-Ref. No.358.

● Included in Carburetor Overhaul Kit-Ref. No. 121.

◆ Included in Carburetor Gasket Set-Ref. No. 977.

△ Included in Valve Gasket Set-Ref. No 1095.

Illustrations cover a range of engines. Parts shown without corresponding text may not be used on your specific engine.

10E900

REF. NO.	PART NO.	DESCRIPTION	REF. NO.	PART NO.	DESCRIPTION	REF. NO.	PART NO.	DESCRIPTION
211	691859	Spring—Governed Idle	298	691720	Locknut—Muffler/Elbow	469	694420	Ring—Rotating Trim
222B	697410	Bracket—Control	300	692307	Muffler			(Used Before Code
222C	698725	Bracket—Control			(Super Lo Tone)			Date 03082500).
		(Fixed Speed)	300A	394569	Muffler	505	691251	Nut
		(Used After Code Date			(Round Lo Tone)			(Governor Control
		02091500).	303	690291	Elbow—Exhaust			Lever)
		Used on Type No(s).	304	697411	Housing—Blower	523	692040	Dipstick
		0207.	305	692198	Screw	524	★692296	Seal—Dipstick Tube
		Note			(Blower Housing)	525	691320	Tube—Dipstick
		_____	306	690400	Shield—Cylinder	529	692189	Grommet
		697796 Bracket—	307	690345	Screw			(Breather)
		Control			(Cylinder Shield)	534	691417	Screw
		(Fixed Speed)	332	690662	Nut			(Air Cleaner)
		(Used Before Code			(Flywheel)	535	272235	Filter—Air Cleaner
		Date 02091600).	333	496914	Armature—Magneto			Foam
		Used on Type No(s).	334	691061	Screw	535A	698369	Filter—Air Cleaner
		0207.			(Magneto Armature)			Foam
222D	699326	Bracket—Control	335	691107	Screw	536	493492	Cleaner—Air
		Used on Type No(s).			(Magneto Armature			(Metal)
		0015, 0018.	337	802592	Plug—Spark			(Used Before Code
227	697402	Lever—Governor	346	690661	Screw			Date 02101100).
		Control			(Spark Arrestor)	536A	698472	Cleaner—Air
236	691867	Link—Lockout	356	692390	Wire—Stop			(Plastic)
257	691660	Screw	356A	398808	Wire—Stop			(Used After Code Date
		(Starter Clutch)	357	692191	Key—Drive Pulley			02101000).
265A	690798	Clamp—Casing	358	699933	Gasket Set—Engine	562	92613	Bolt
		(Die Cast)	363	19069	Puller—Flywheel			(Governor Control
265B	691024	Clamp—Casing	365	692200	Screw			Lever)
		(Steel With Tab)			(Carburetor)	578	398153	Wire Assembly
267	691044	Screw	377	692193	Key—Woodruff	592	690800	Nut
		(Casing Clamp)	383	89838	Wrench—Spark Plug			(Rewind Starter)
268	691072	Casing—Control Wire	390	691839	Spring—Choke	597	691696	Screw
		(Cut To Required			Diaphragm			(Pawl Friction Plate)
		Length)	393	691837	Screen—Carburetor	608	499706	Starter—Rewind
269	691589	Wire—Control	394	495770	Diaphragm—Carburetor	612	496046	Tube—Pick Up
		(Cut To Required	404	690272	Washer	613	691413	Screw
		Length)			(Governor Crank)			(Muffler)
270	691027	Nut	455	691236	Cup—Flywheel			(Super Lo Tone)
		(Control Wire Casing)	456	692299	Plate—Pawl Friction	615	690340	Retainer—Governor
271	691028	Lever—Control	459	281505	Pawl—Ratchet			Shaft
287	691002	Screw				616	697405	Crank—Governor
		(Dipstick Tube)						

★ Included in Engine Gasket Set—Ref. No. 358.

● Included in Carburetor Overhaul Kit—Ref. No. 121.

◆ Included in Carburetor Gasket Set—Ref. No. 977.

△ Included in Valve Gasket Set—Ref. No. 1095.

Illustrations cover a range of engines. Parts shown without corresponding text may not be used on your specific engine.

REF. NO.	PART NO.	DESCRIPTION	REF. NO.	PART NO.	DESCRIPTION	REF. NO.	PART NO.	DESCRIPTION
617	270344	Seal-O Ring (Intake Manifold)	842	★691870	Seal-O Ring (Dipstick Tube)	883	★△691880	Gasket-Exhaust
621	692310	Switch-Stop	847	691440	Dipstick/Tube Assembly	913	494409	Seat-Check Valve
633	691321	Seal-Choke/Throttle Shaft	851	493880	Terminal-Spark Plug	921	694044	Cover-Blower Housing
635	66538	Boot-Spark Plug	869	699641	Seat-Valve (Intake) (Used After Code Date 03080300).	922	692135	Spring-Brake
643	691911	Retainer-Air Filter			———— Note ————	923	691487	Brake
668	692889	Spacer			691701 Seat-Valve (Intake) (Used Before Code Date 03080400).	925	691349	Cover-Linkage
670	691633	Spacer-Fuel Tank (Compliance Engines)			870 699642 Seat-Valve (Exhaust) (Used After Code Date 03080300).	930B	691348	Guard-Rewind
676	393756	Deflector-Muffler			———— Note ————	957	497929	Cap-Fuel Tank (Plastic)
677	690661	Screw (Muffler Deflector)			691702 Seat-Valve (Exhaust) (Used Before Code Date 03080400).	969	692198	Screw (Blower Housing Cover)
689	691855	Spring-Friction (Ratchet Pawl)			871 699643 Bushing-Valve Guide (Exhaust Valve) (Used After Code Date 03080300).	976	694394	Primer-Carburetor
718	690959	Pin-Locating (Cylinder)			———— Note ————	994	398067	Arrestor-Spark
718A	499047	Pin-Locating (Crankshaft)			231348 Bushing-Valve Guide (Exhaust Valve) (Used Before Code Date 03080400).	1019	697428	Kit-Label
724	697478	Retainer-Seal			63709 Bushing-Valve Guide (Intake Valve)	1036	695108	Label-Emissions
729	690586	Clip-Wire				1058	275508	Operator's Manual
741	691805	Gear-Timing				1095	498526	Gasket Set-Valve
745	691146	Screw (Brake)				1210	499901	Pulley/Spring Assembly (Pulley)
745A	690859	Screw (Brake)				1211	499901	Pulley/Spring Assembly (Spring)
772	691111	Screw (Linkage Cover)				1218	695866	Seal-O Ring (Carburetor)
772A	690345	Screw (Linkage Cover)				1277	698718	Guard-Governor Nut
832	494896	Guard-Muffler (Super Lo Tone)				1278	691002	Screw (Governor Guard Nut)
832A	699670	Guard-Muffler (Round Lo Tone)				1330	270962	Repair Manual
836	690664	Screw (Muffler Guard)						

★ Included in Engine Gasket Set-Ref. No.358.

● Included in Carburetor Overhaul Kit-Ref. No. 121.

◆ Included in Carburetor Gasket Set-Ref. No. 977.

△ Included in Valve Gasket Set-Ref. No 1095.

Illustrations cover a range of engines. Parts shown without corresponding text may not be used on your specific engine.