

10G900

Illustrated Parts List

Model Series

10G900

TYPE NUMBERS
0015 through 0352.

TABLE OF CONTENTS

Air Cleaner	6
Blower Housing/Shrouds	7
Brakes	9
Cams	3
Carburetor	4
Controls	5
Crankcase Cover/Sump	3
Crankshaft	3
Cylinder	2
Flywheel	7
Fuel Tank	4
Governor Spring	5
Head	2
Ignition	5
Kits/Gaskets – Engine	2
Kits/Gaskets – Valve	2
Muffler	6
Oil Group	2
Piston Group	3
Rewind/Blower Housing	8
Valves	3



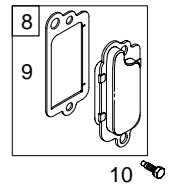
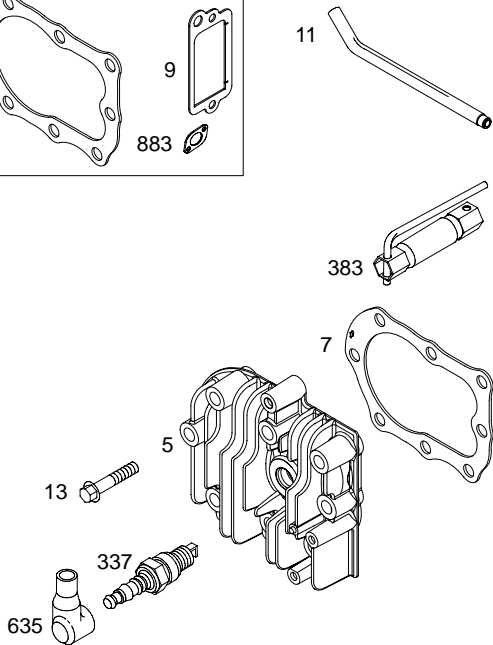
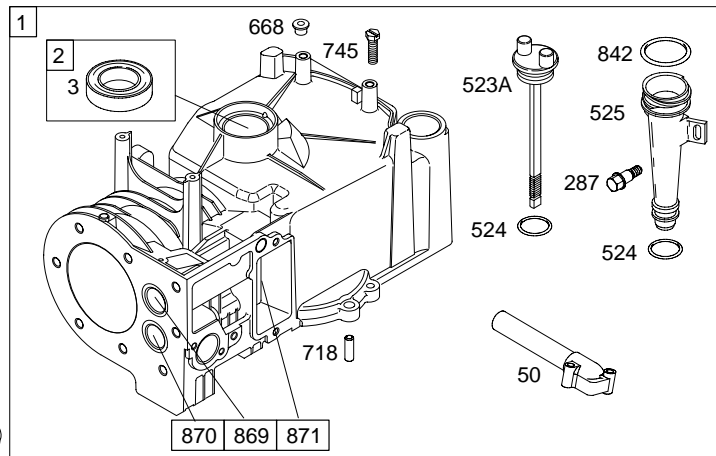
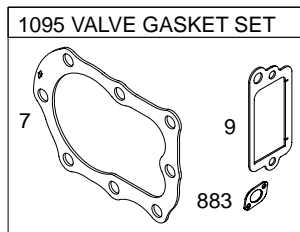
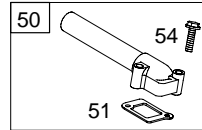
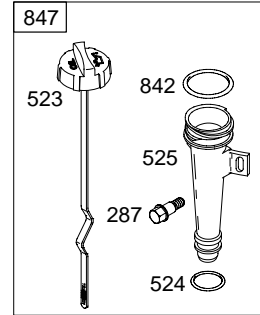
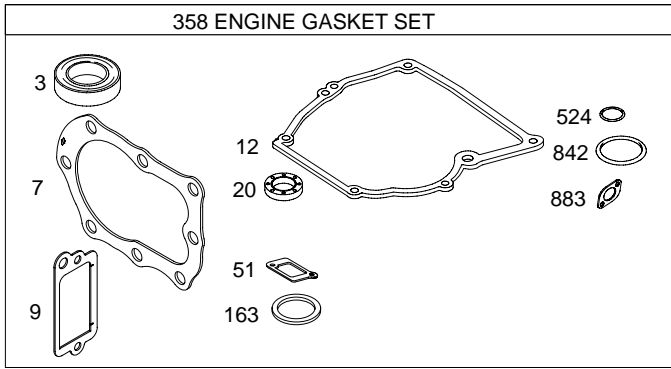
PRINTED IN U.S.A.

COPYRIGHT by BRIGGS & STRATTON CORPORATION
All rights reserved. No part of this material may be reproduced or transmitted,
in any form or by any means, electronic or mechanical, including photocopying,
recording or by any information storage and retrieval system, without permission
in writing from Briggs & Stratton Corporation.



0 24847 09246 2

10G900

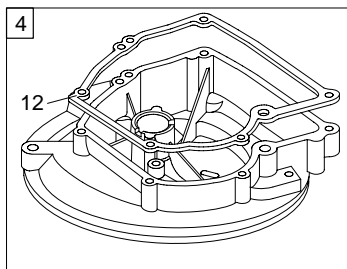
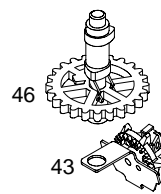
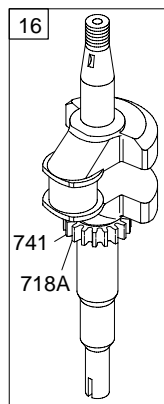
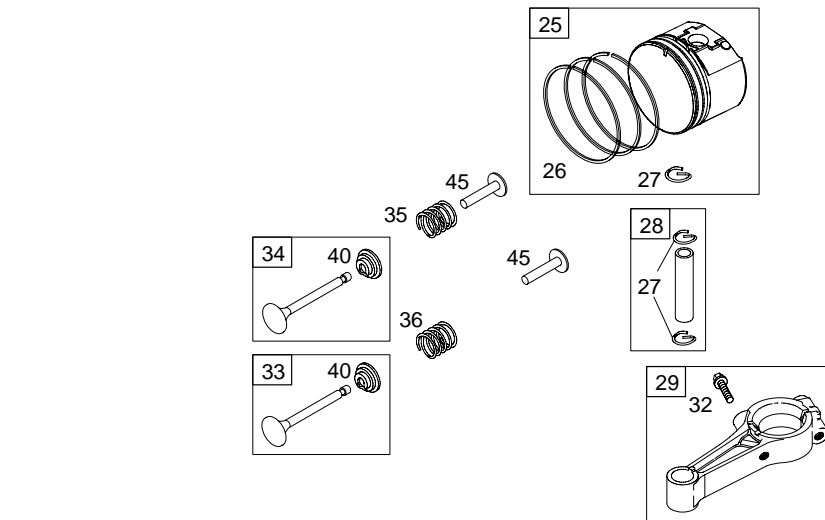


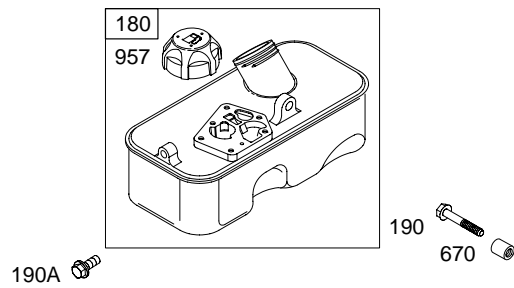
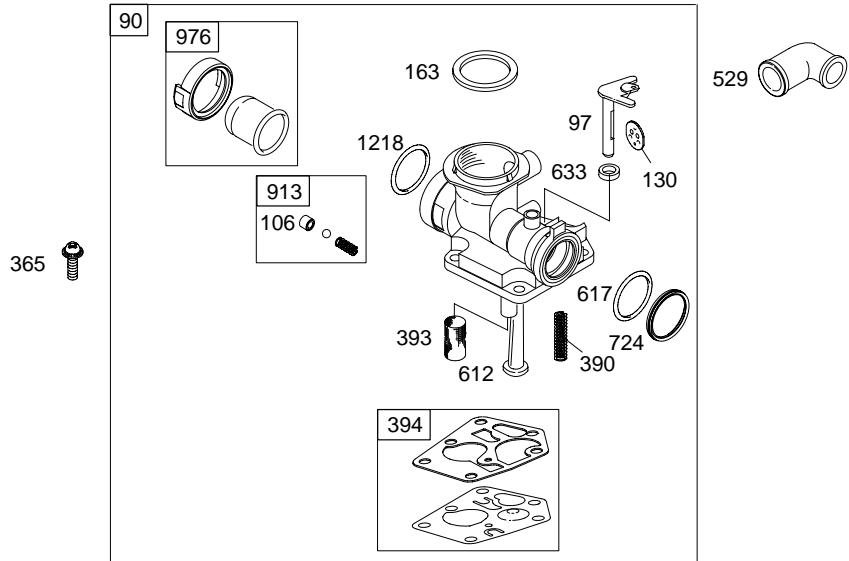
1019 LABEL KIT

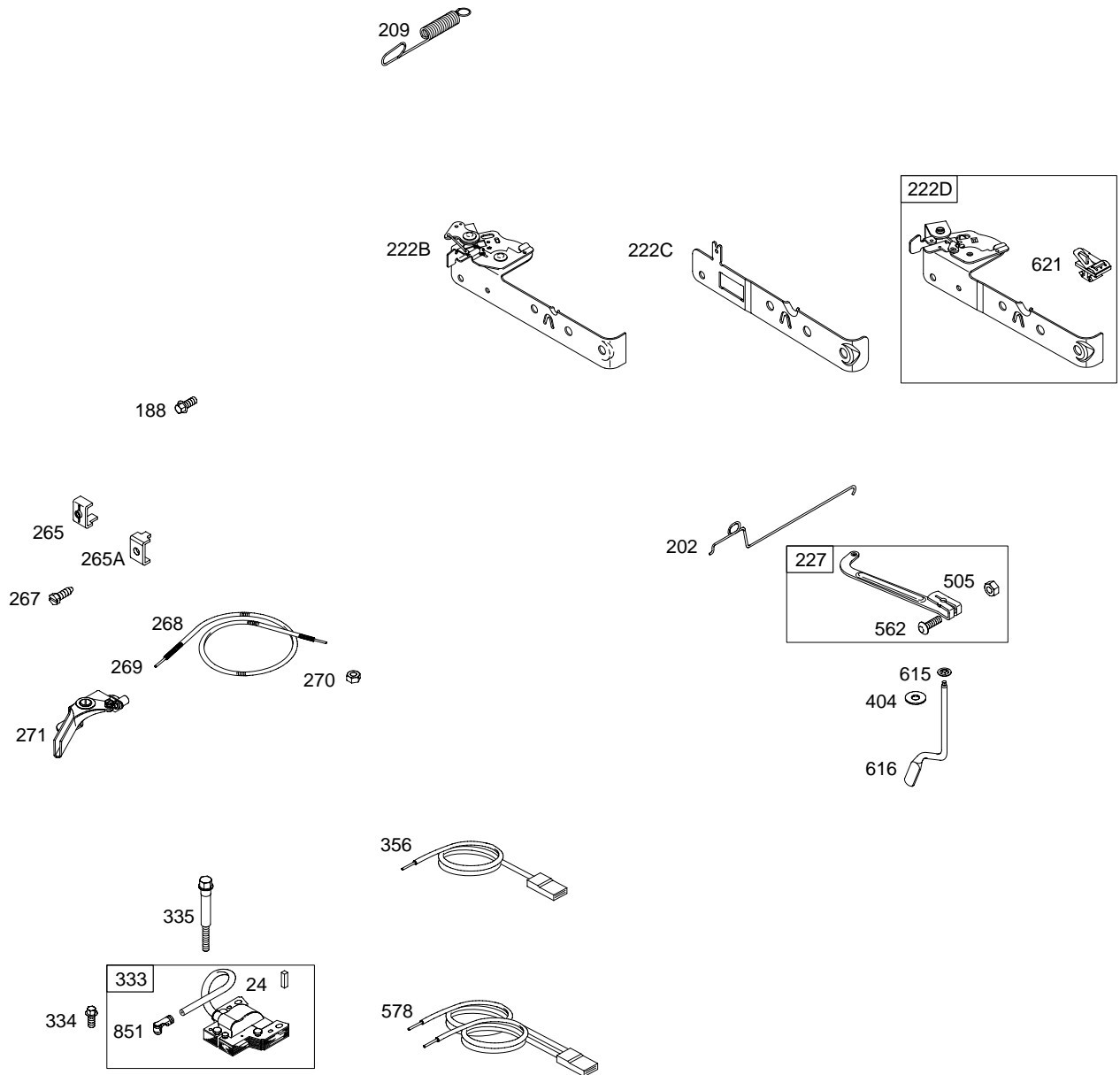
1058 OWNER'S MANUAL

1330 REPAIR MANUAL

Illustrations cover a range of engines. Parts shown without corresponding text may not be used on your specific engine.

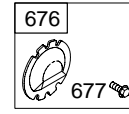
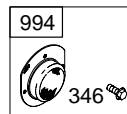
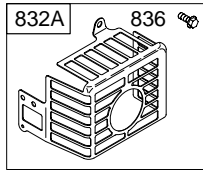
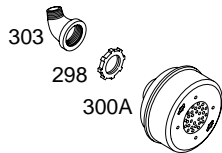
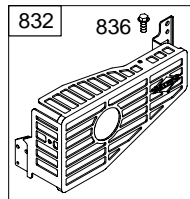
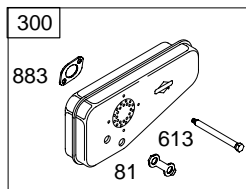
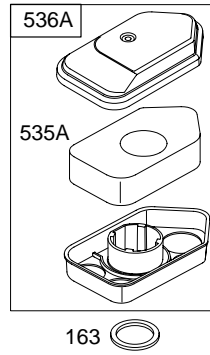
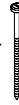


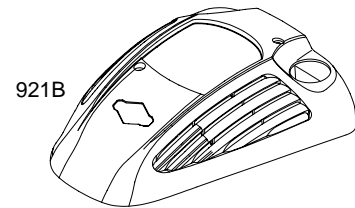
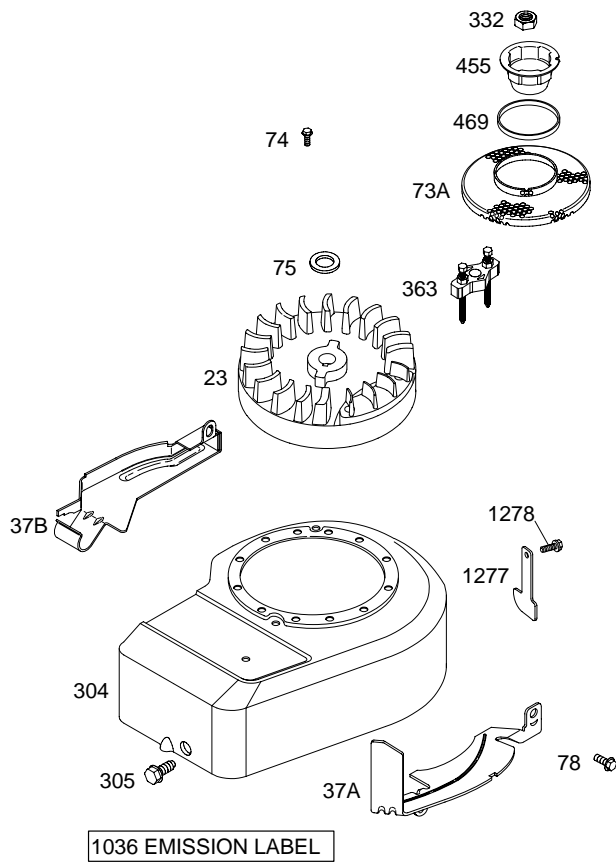
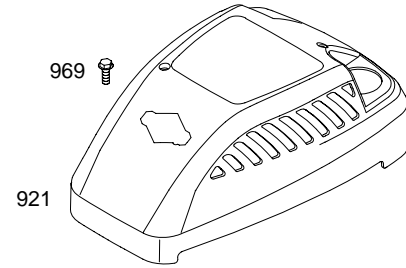


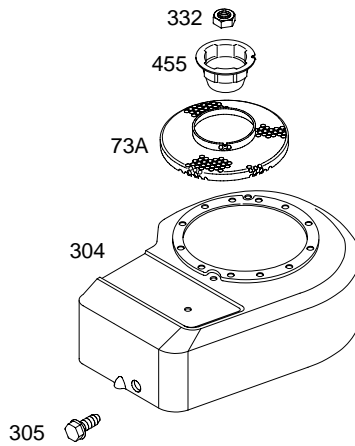
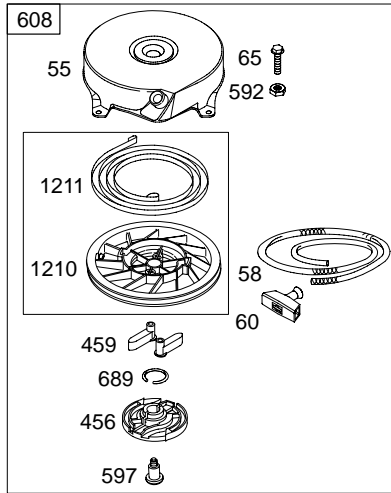
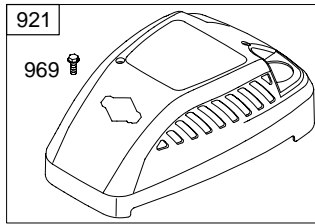


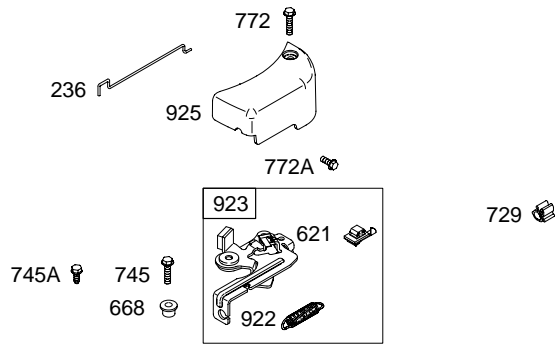
Illustrations cover a range of engines. Parts shown without corresponding text may not be used on your specific engine.
 5549-5 Assemblies include all parts shown in frames. 05/27/2004

534









10G900

REF. NO.	PART NO.	DESCRIPTION	REF. NO.	PART NO.	DESCRIPTION	REF. NO.	PART NO.	DESCRIPTION
1	699650	Cylinder Assembly (Used After Code Date 03080300). ———— Note ———— 697401 Cylinder Assembly (Used Before Code Date 03080400).	15	691680	Plug–Oil Drain (Flush)	26	699658	Ring Set (Standard) (Used After Code Date 03080300). ———— Note ———— 498680 Ring Set (Standard) (Used Before Code Date 03080400).
2	399269	Kit–Bushing/Seal (Magneto Side)	16	691472	Crankshaft ———— Note ———— 691471 Crankshaft Used on Type No(s). 0016, 0110, 0111, 0114, 0115, 0118, 0249, 0251.			498682 Ring Set (.020" Oversize)
3	★299819	Seal–Oil (Magneto Side)			692989 Crankshaft Used on Type No(s). 0018, 0171, 0189.	27	691588	Lock–Piston Pin
4	698691	Sump–Engine	20	★391483	Seal–Oil (PTO Side)	28	699659	Pin–Piston (Standard) (Used After Code Date 03080300). ———— Note ———— 298909 Pin–Piston (Standard) (Used Before Code Date 03080400).
5	690386	Head–Cylinder	22	691662	Screw (Crankcase Cover/Sump)			29 699655 Rod–Connecting (Used After Code Date 03080300). ———— Note ———— 496792 Rod– Connecting (Used Before Code Date 03080400).
7	★Δ698717	Gasket–Cylinder Head	22A	691108	Screw (Crankcase Cover/Sump)			32 691664 Screw (Connecting Rod)
8	699640	Breather Assembly (Used After Code Date 03080300). ———— Note ———— 495785 Breather Assembly (Used Before Code Date 03080400).	23	692009	Flywheel			33 296676 Valve–Exhaust
9	★Δ695890	Gasket–Breather	24	222698	Key–Flywheel			34 296677 Valve–Intake
10	691666	Screw (Breather Assembly)	25	699657	Piston Assembly (Standard) (Used After Code Date 03080300). ———— Note ———— 498668 Piston Assembly (Standard) (Used Before Code Date 03080400).			35 690520 Spring–Valve (Intake)
11	691245	Tube–Breather			498670 Piston Assembly (.020" Oversize)			
12	★692218	Gasket–Crankcase (.015" Thick) (Standard) ———— Note ———— 270895 Gasket– Crankcase (.005" Thick) 270896 Gasket– Crankcase (.009" Thick)						
13	691640	Screw (Cylinder Head)						

★ Included in Engine Gasket Set–Ref. No.358.

● Included in Carburetor Overhaul Kit–Ref. No. 121.

◆ Included in Carburetor Gasket Set–Ref. No. 977.

Δ Included in Valve Gasket Set–Ref. No 1095.

Illustrations cover a range of engines. Parts shown without corresponding text may not be used on your specific engine.

10G900

REF. NO.	PART NO.	DESCRIPTION	REF. NO.	PART NO.	DESCRIPTION	REF. NO.	PART NO.	DESCRIPTION
36	690520	Spring-Valve (Exhaust)	73A	699850	Screen-Rotating (Used After Code Date 03082400).	222B	697410	Bracket-Control Used on Type No(s). 0110, 0111, 0114, 0115, 0116, 0118, 0119, 0248, 0249, 0251, 0254, 0257, 0260.
37A	691209	Guard-Flywheel (Muffler Side)			Note			
37B	697403	Guard-Flywheel (Carburetor Side)			694018 Screen-Rotating (Used Before Code Date 03082500).			
40	692194	Retainer-Valve						
43	697799	Slinger-Governor/Oil						
45	691762	Tappet-Valve	74	691627	Screw (Rotating Screen)			699577 Bracket-Control
46	691998	Camshaft	75	691736	Washer (Flywheel)			Used on Type No(s). 0272.
50	699644	Manifold-Intake (Used After Code Date 03080300).	78	692198	Screw (Flywheel Guard)	222C	698725	Bracket-Control Used on Type No(s). 0171, 0189, 0217, 0271, 0352.
		Note	81	691179	Lock-Muffler Screw	222D	699326	Bracket-Control
		693446 Manifold-Intake (Used Before Code Date 03080400).	90	697415	Carburetor	227	697402	Lever-Governor Control
51	★699649	Gasket-Intake (Used After Code Date 03080300).	97	697414	Shaft-Throttle	236	691867	Link-Lockout
		Note	106	691901	Seat-Inlet	265	691024	Clamp-Casing
		270345 Gasket-Intake (Used Before Code Date 03080400).	130	691190	Valve-Throttle	265A	690798	Clamp-Casing
54	691111	Screw (Intake Manifold)	163	★271139	Gasket-Air Cleaner	267	691044	Screw (Casing Clamp)
55	692144	Housing-Rewind Starter	180	494406	Tank-Fuel (Metal)	268	691072	Casing-Control Wire (Cut To Required Length)
58	697316	Rope-Starter (Cut To Required Length)	188	692198	Screw (Control Bracket)	269	691589	Wire-Control (Cut To Required Length)
60	691915	Grip-Starter Rope	190	691640	Screw (Fuel Tank)	270	691027	Nut (Control Wire Casing)
65	690837	Screw (Rewind Starter)	202	698835	Link-Mechanical Governor	271	691028	Lever-Control
			209	698719	Spring-Governor (Light Blue)	287	691002	Screw (Dipstick Tube)
					Note			
					698726 Spring-Governor (Pink) Used on Type No(s). 0110, 0111, 0114, 0115, 0116, 0118, 0119, 0248, 0249, 0272.			

★ Included in Engine Gasket Set-Ref. No.358.

● Included in Carburetor Overhaul Kit-Ref. No. 121.

◆ Included in Carburetor Gasket Set-Ref. No. 977.

△ Included in Valve Gasket Set-Ref. No 1095.

Illustrations cover a range of engines. Parts shown without corresponding text may not be used on your specific engine.
5549-11 Assemblies include all parts shown in frames. **05/27/2004**

10G900

REF. NO.	PART NO.	DESCRIPTION	REF. NO.	PART NO.	DESCRIPTION	REF. NO.	PART NO.	DESCRIPTION
298	691720	Locknut-Muffler/Elbow	346	690661	Screw (Spark Arrestor)	562	691119	Bolt (Governor Control Lever)
300	692307	Muffler (Super Lo Tone)	356	692390	Wire-Stop	578	398153	Wire Assembly
300A	394569	Muffler (Round Lo Tone)	358	699933	Gasket Set-Engine	592	690800	Nut (Rewind Starter)
303	690291	Elbow-Exhaust	363	19069	Puller-Flywheel	597	691696	Screw (Pawl Friction Plate)
304	697411	Housing-Blower	365	692200	Screw (Carburetor)	608	499706	Starter-Rewind
		Note	377	692193	Key-Woodruff	612	496046	Tube-Pick Up
		790219 Housing-Blower	383	89838	Wrench-Spark Plug	613	691413	Screw (Muffler)
		Used on Type No(s). 0272.	390	691839	Spring-Choke Diaphragm	615	690340	Retainer-Governor Shaft
305	692198	Screw (Blower Housing)	393	691837	Screen-Carburetor	616	697405	Crank-Governor
306	690400	Shield-Cylinder	394	495770	Diaphragm-Carburetor	617	270344	Seal-O Ring (Intake Manifold)
307	690345	Screw (Cylinder Shield)	404	690272	Washer (Governor Crank)	621	692310	Switch-Stop
332	690662	Nut (Flywheel)	455	691236	Cup-Flywheel	633	691321	Seal-Choke/Throttle Shaft
333	496914	Armature-Magneto	456	692299	Plate-Pawl Friction	635	66538	Boot-Spark Plug
334	691061	Screw (Magneto Armature)	459	281505	Pawl-Ratchet	668	692889	Spacer
335	691107	Screw (Magneto Armature With Air Vane)	469	694420	Ring-Rotating Trim (Used Before Code Date 03082500).	670	691633	Spacer-Fuel Tank (Compliance Engines)
337	802592	Plug-Spark	505	691251	Nut (Governor Control Lever)	676	392190	Deflector-Muffler
		Note	523	692040	Dipstick	677	690661	Screw (Muffler Deflector)
		697451 Plug-Spark	523A	691913	Dipstick	689	691855	Spring-Friction (Ratchet Pawl)
		Used on Type No(s). 0111, 0114, 0116, 0118, 0119, 0272.	524	★692296	Seal-Dipstick Tube			
			525	691320	Tube-Dipstick			
			529	692189	Grommet (Breather)			
			534	691417	Screw (Air Cleaner)			
			535A	698369	Filter-Air Cleaner Foam			
			536A	698472	Cleaner-Air (Plastic)			

★ Included in Engine Gasket Set-Ref. No.358.

● Included in Carburetor Overhaul Kit-Ref. No. 121.

◆ Included in Carburetor Gasket Set-Ref. No. 977.

△ Included in Valve Gasket Set-Ref. No 1095.

Illustrations cover a range of engines. Parts shown without corresponding text may not be used on your specific engine.

10G900

REF. NO.	PART NO.	DESCRIPTION	REF. NO.	PART NO.	DESCRIPTION	REF. NO.	PART NO.	DESCRIPTION
718	690959	Pin-Locating (Cylinder)	851	493880	Terminal-Spark Plug	921B	698709	Cover-Blower Housing
718A	499047	Pin-Locating (Crankshaft)	869	699641	Seat-Valve (Intake) (Used After Code Date 03080300).	922	692135	Spring-Brake
724	697478	Retainer-Seal			Note	923	691487	Brake
729	690586	Clip-Wire			691701		691349	Cover-Linkage
741	691805	Gear-Timing			(Intake) (Used Before Code Date 03080400).		497929	Cap-Fuel Tank (Plastic)
745	691146	Screw (Brake)			870	699642		Note
745A	690859	Screw (Brake)			Seat-Valve (Exhaust) (Used After Code Date 03080300).			692050
772	691111	Screw (Linkage Cover)						Cap-Fuel Tank (Plastic) Used on Type No(s). 0171.
772A	690345	Screw (Linkage Cover)			Note	969	694046	Screw (Blower Housing Cover)
832	699299	Guard-Muffler (Used After Code Date 03040300).			691702			976
		Note			(Exhaust) (Used Before Code Date 03080400).			694394
		494896			871	699643		994
		Guard-Muffler (Super Lo Tone) (Used Before Code Date 03040400).			Bushing-Valve Guide (Exhaust Valve) (Used After Code Date 03080300).			398067
832A	699670	Guard-Muffler (Round Lo Tone)						1019
836	690664	Screw (Muffler Guard)			Note			697428
842	★691870	Seal-O Ring (Dipstick Tube)			231348			1036
847	691440	Dipstick/Tube Assembly			Bushing-Valve Guide (Exhaust Valve) (Used Before Code Date 03080400).			1058
		Note			63709			1095
		398010			Bushing-Valve Guide (Intake Valve)			1210
		Dipstick/Tube Assembly Used on Type No(s). 0171.			883	★△691880		499901
					Gasket-Exhaust			Pulley/Spring Assembly (Pulley)
					913	494409		499901
					Seat-Check Valve			Pulley/Spring Assembly (Spring)
					921	694044		1218
					Cover-Blower Housing Used on Type No(s). 0352.			695866
								Seal-O Ring (Carburetor)
								1277
								698718
								Guard-Governor Nut
								1278
								691002
								Screw (Governor Guard Nut)
								1330
								270962
								Repair Manual

★ Included in Engine Gasket Set-Ref. No.358.

● Included in Carburetor Overhaul Kit-Ref. No. 121.

◆ Included in Carburetor Gasket Set-Ref. No. 977.

△ Included in Valve Gasket Set-Ref. No 1095.

Illustrations cover a range of engines. Parts shown without corresponding text may not be used on your specific engine.

5549-13

Assemblies include all parts shown in frames.

05/27/2004

