

10H900

Illustrated Parts List

Model Series

10H900

TYPE NUMBERS
0111 through 0333.

TABLE OF CONTENTS

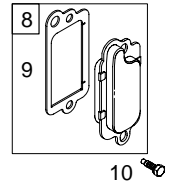
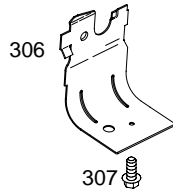
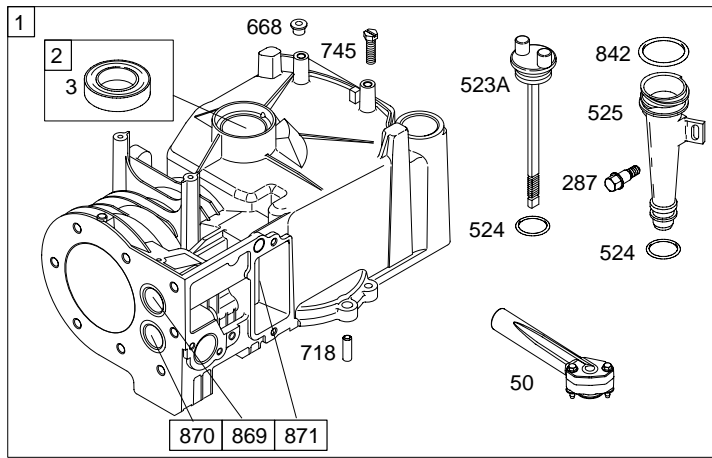
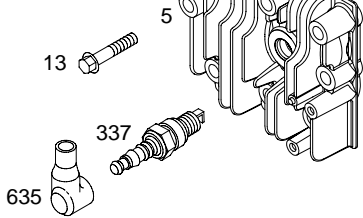
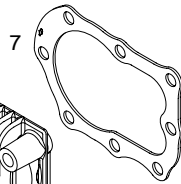
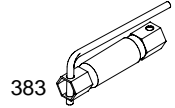
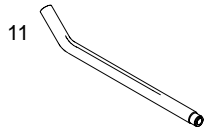
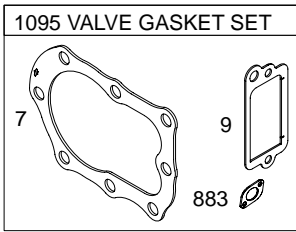
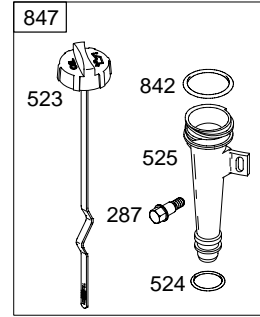
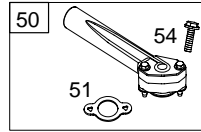
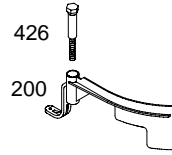
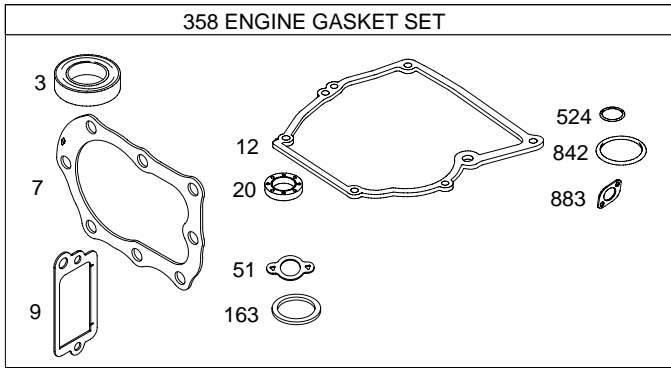
Air Cleaner	6
Blower Housing/Shrouds	7
Brakes	9
Cams	3
Carburetor	4
Controls	5
Crankcase Cover/Sump	3
Crankshaft	3
Cylinder	2
Flywheel	7
Fuel Tank	4
Governor Spring	5
Head	2
Ignition	5
Kits/Gaskets – Engine	2
Kits/Gaskets – Valve	2
Muffler	6
Oil Group	2
Piston Group	3
Rewind/Blower Housing	8
Valves	3



PRINTED IN U.S.A.

COPYRIGHT by BRIGGS & STRATTON CORPORATION
All rights reserved. No part of this material may be reproduced or transmitted,
in any form or by any means, electronic or mechanical, including photocopying,
recording or by any information storage and retrieval system, without permission
in writing from Briggs & Stratton Corporation.

10H900

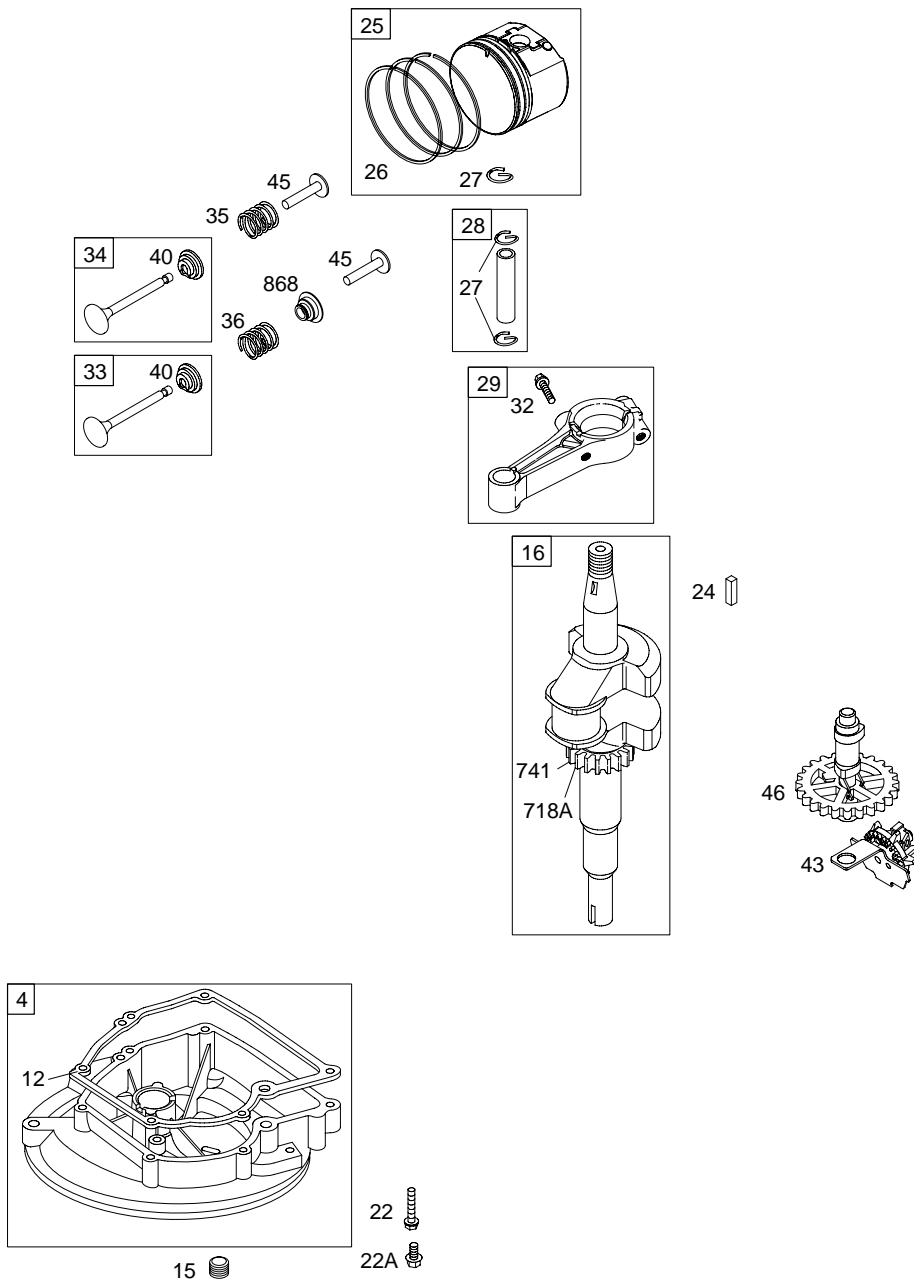


1019 LABEL KIT

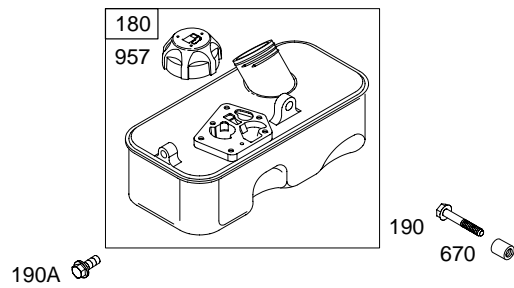
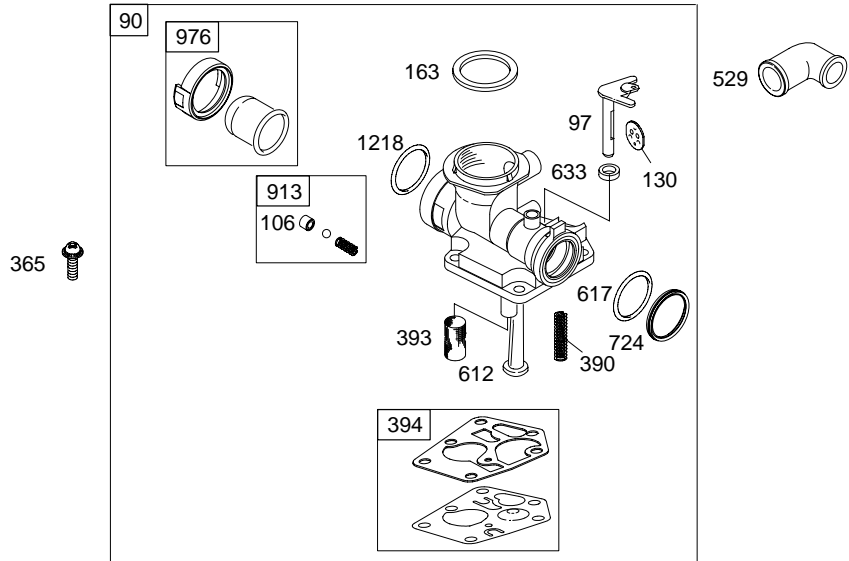
1058 OWNER'S MANUAL

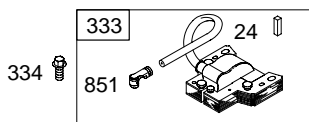
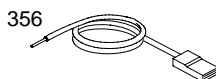
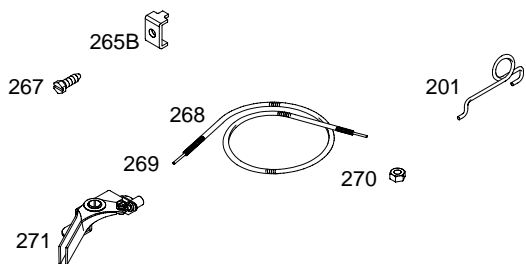
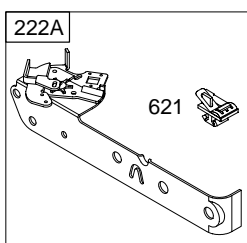
1330 REPAIR MANUAL

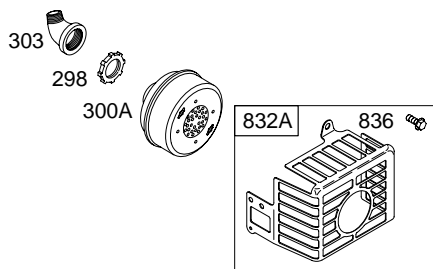
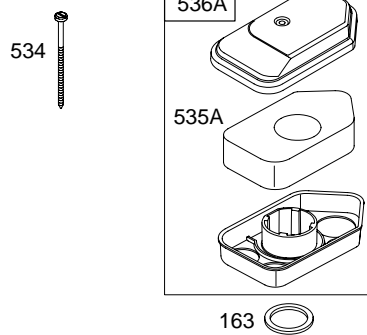
Illustrations cover a range of engines. Parts shown without corresponding text may not be used on your specific engine.
 5716-2 Assemblies include all parts shown in frames. 05/20/2004

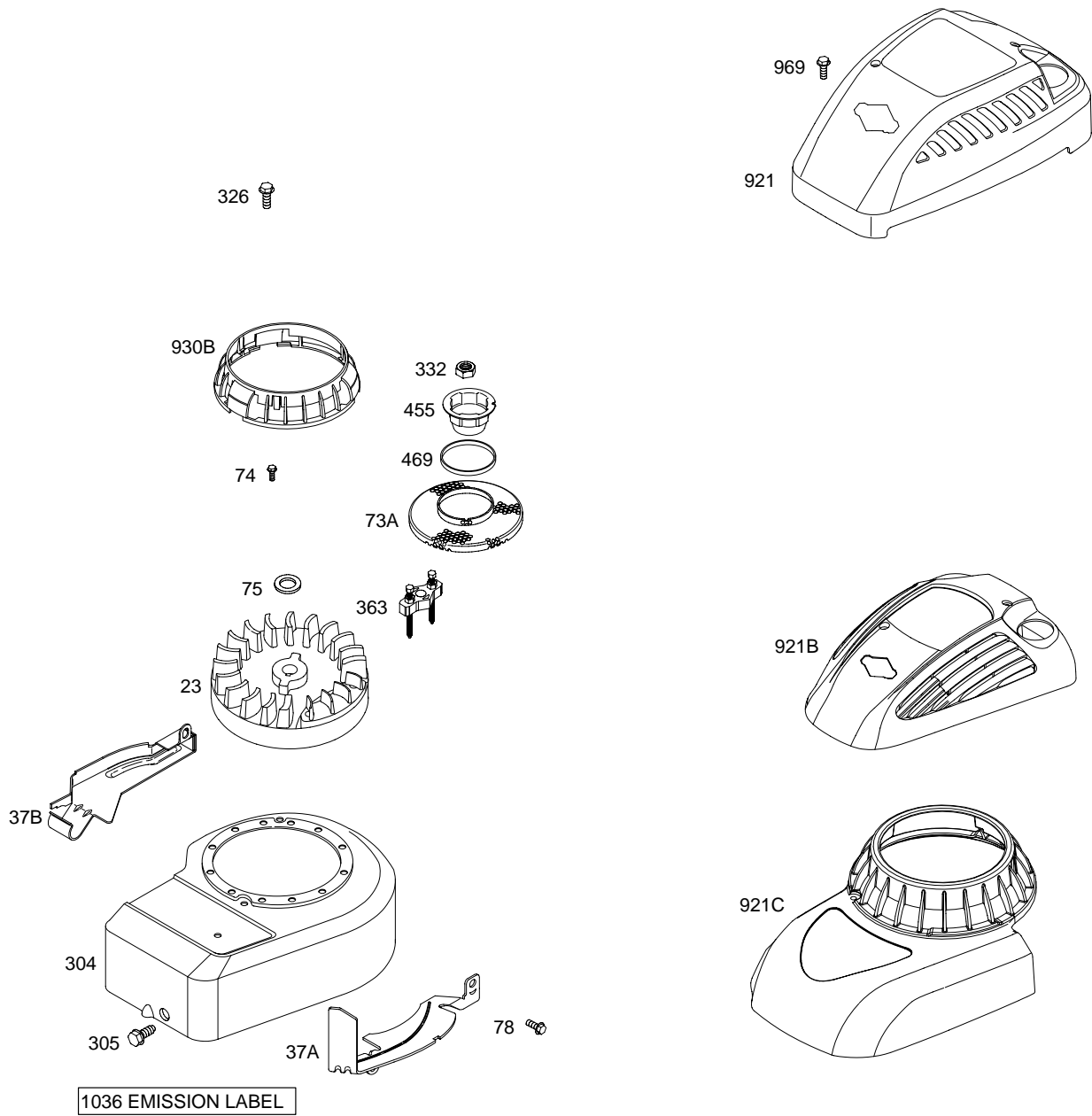


5716-3 *Illustrations cover a range of engines. Parts shown without corresponding text may not be used on your specific engine.* Assemblies include all parts shown in frames. 05/20/2004

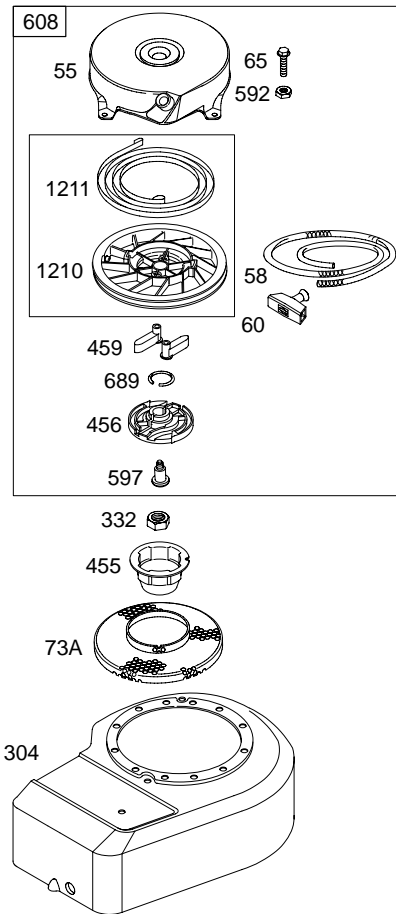
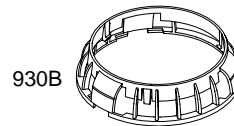
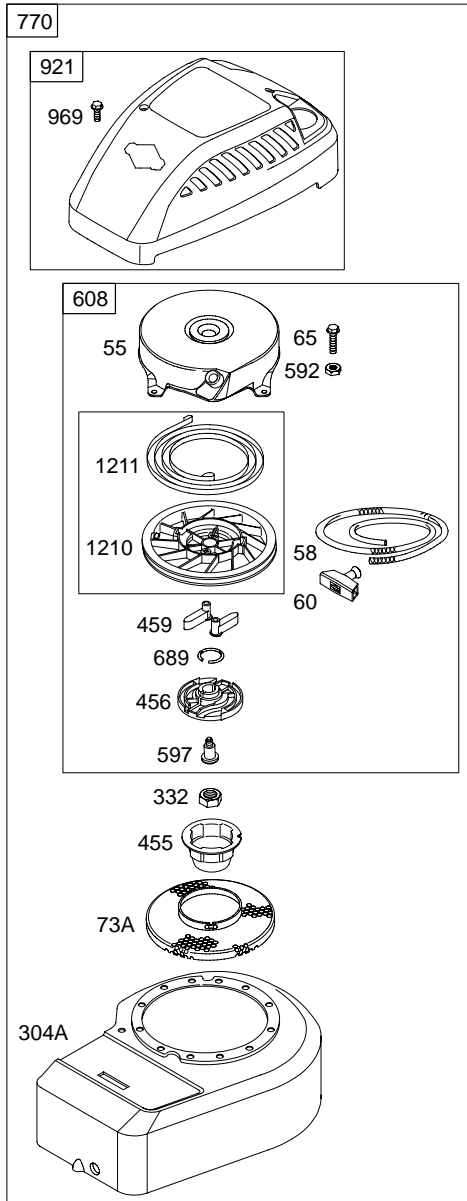




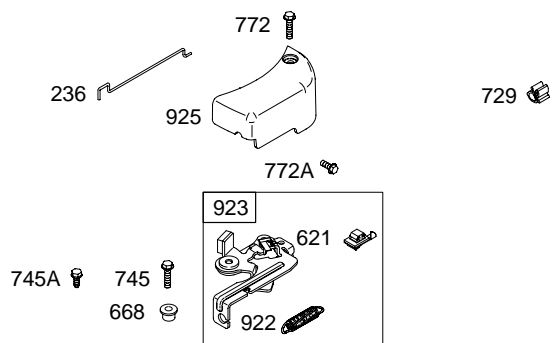




Illustrations cover a range of engines. Parts shown without corresponding text may not be used on your specific engine.
 5716-7 Assemblies include all parts shown in frames. 05/20/2004



305



10H900

REF. NO.	PART NO.	DESCRIPTION	REF. NO.	PART NO.	DESCRIPTION	REF. NO.	PART NO.	DESCRIPTION
1	699653	Cylinder Assembly	22A	691108	Screw (Crankcase Cover/Sump)	40	692194	Retainer-Valve
2	399269	Kit-Bushing/Seal (Magneto Side)				43	698690	Slinger-Governor/Oil
3	*299819	Seal-Oil (Magneto Side)	23	692009	Flywheel ———— Note ————	45	691762	Tappet-Valve
4	698691	Sump-Engine		690843	Flywheel Used on Type No(s). 0111.	46	691998	Camshaft
5	690386	Head-Cylinder	24	222698	Key-Flywheel	50	699644	Manifold-Intake
7	*Δ698717	Gasket-Cylinder Head	25	699657	Piston Assembly (Standard) ———— Note ————	51	*699649	Gasket-Intake
8	699640	Breather Assembly (Used After Code Date 03080300). ———— Note ————		498670	Piston Assembly (.020" Oversize)	54	691111	Screw (Intake Manifold)
		495785 Breather Assembly (Used Before Code Date 03080400).	26	699658	Ring Set (Standard) ———— Note ————	55	692144	Housing-Rewind Starter
9	*Δ695890	Gasket-Breather		498682	Ring Set (.020" Oversize)	58	697316	Rope-Starter (Cut To Required Length)
10	691666	Screw (Breather Assembly)	27	691588	Lock-Piston Pin	60	691915	Grip-Starter Rope
11	691245	Tube-Breather	28	699659	Pin-Piston (Standard)	65	690837	Screw (Rewind Starter)
12	*692218	Gasket-Crankcase (.015" Thick)(Standard)	29	699654	Rod-Connecting	73A	699850	Screen-Rotating (Used After Code Date 03082400). ———— Note ————
13	691640	Screw (Cylinder Head)	32	691664	Screw (Connecting Rod)			694018 Screen- Rotating (Used Before Code Date 03082500).
15	691680	Plug-Oil Drain (Flush)	33	296676	Valve-Exhaust	74	691627	Screw (Rotating Screen)
16	692989	Crankshaft ———— Note ————	34	296677	Valve-Intake	75	691736	Washer (Flywheel)
		691472 Crankshaft Used on Type No(s). 0246, 0285, 0333.	35	690520	Spring-Valve (Intake)	78	692198	Screw (Flywheel Guard)
20	*391483	Seal-Oil (PTO Side)	36	690520	Spring-Valve (Exhaust)	90	699660	Carburetor
22	691662	Screw (Crankcase Cover/Sump)	37A	691209	Guard-Flywheel (Muffler Side)	97	691931	Shaft-Throttle
			37B	690482	Guard-Flywheel (Carburetor Side)	106	691901	Seat-Inlet
						130	691190	Valve-Throttle
						163	*271139	Gasket-Air Cleaner
						180	494406	Tank-Fuel (Metal)

* Included in Engine Gasket Set-Ref. No.358.

● Included in Carburetor Overhaul Kit-Ref. No. 121.

◆ Included in Carburetor Gasket Set-Ref. No. 977.

Δ Included in Valve Gasket Set-Ref. No 1095.

Illustrations cover a range of engines. Parts shown without corresponding text may not be used on your specific engine.

10H900

REF. NO.	PART NO.	DESCRIPTION	REF. NO.	PART NO.	DESCRIPTION	REF. NO.	PART NO.	DESCRIPTION
188	692198	Screw (Control Bracket)	270	691027	Nut (Control Wire Casing)	383	89838	Wrench–Spark Plug
190	691640	Screw (Fuel Tank)	271	691028	Lever–Control	390	691839	Spring–Choke Diaphragm
190A	692198	Screw (Fuel Tank)	287	691002	Screw (Dipstick Tube)	393	691837	Screen–Carburetor
200	691912	Blade–Governor	298	691720	Locknut–Muffler/Elbow	394	495770	Diaphragm–Carburetor
201	690347	Link–Air Vane	300A	394569	Muffler (Round Lo Tone)	426	691107	Screw (Governor Blade)
209	691297	Spring–Governor Used on Type No(s). 0216, 0246, 0285.	303	690291	Elbow–Exhaust	455	691236	Cup–Flywheel
		Note	304	692536	Housing–Blower (Non Compliance Engines) Used on Type No(s). 0111.	456	692299	Plate–Pawl Friction
		691862 Spring– Governor Used on Type No(s). 0111.	304A	694236	Housing–Blower (Compliance)	459	281505	Pawl–Ratchet
		690251 Spring– Governor Used on Type No(s). 0333.	305	692198	Screw (Blower Housing)	469	694420	Ring–Rotating Trim (Used Before Code Date 03082500).
211	691859	Spring–Governed Idle	306	690400	Shield–Cylinder	523	692040	Dipstick
222A	691446	Bracket–Control	307	690345	Screw (Cylinder Shield)	523A	691913	Dipstick
		Note	326	692198	Screw (Rewind Guard)	524	★692296	Seal–Dipstick Tube
		691445 Bracket– Control Used on Type No(s). 0111.	332	690662	Nut (Flywheel)	525	691320	Tube–Dipstick
236	691867	Link–Lockout	333	496914	Armature–Magneto	529	692189	Grommet (Breather)
265B	691024	Clamp–Casing (Steel With Tab)	334	691061	Screw (Magneto Armature)	534	691417	Screw (Air Cleaner)
267	691044	Screw (Casing Clamp)	335	691107	Screw (Magneto Armature With Air Vane)	535A	698369	Filter–Air Cleaner Foam
268	691072	Casing–Control Wire (Cut To Required Length)	337	802592	Plug–Spark	536A	698472	Cleaner–Air (Plastic)
269	691589	Wire–Control (Cut To Required Length)	356	692390	Wire–Stop	592	690800	Nut (Rewind Starter)
			358	699933	Gasket Set–Engine	597	691696	Screw (Pawl Friction Plate)
			363	19069	Puller–Flywheel	608	499706	Starter–Rewind
			365	692200	Screw (Carburetor)	612	496046	Tube–Pick Up
						617	270344	Seal–O Ring (Intake Manifold)
						621	692310	Switch–Stop
						633	691321	Seal–Choke/Throttle Shaft
						635	66538	Boot–Spark Plug

★ Included in Engine Gasket Set–Ref. No.358.

● Included in Carburetor Overhaul Kit–Ref. No. 121.

◆ Included in Carburetor Gasket Set–Ref. No. 977.

△ Included in Valve Gasket Set–Ref. No 1095.

Illustrations cover a range of engines. Parts shown without corresponding text may not be used on your specific engine.
5716–11 Assemblies include all parts shown in frames. 05/20/2004

10H900

REF. NO.	PART NO.	DESCRIPTION	REF. NO.	PART NO.	DESCRIPTION	REF. NO.	PART NO.	DESCRIPTION
668	692889	Spacer	832A	699670	Guard-Muffler	922	692135	Spring-Brake
670	691633	Spacer-Fuel Tank (Compliance Engines)	836	690664	Screw (Muffler Guard)	923	691487	Brake
689	691855	Spring-Friction (Ratchet Pawl)	842	*691870	Seal-O Ring (Dipstick Tube)	925	691349	Cover-Linkage
718	690959	Pin-Locating (Cylinder)	847	691440	Dipstick/Tube Assembly	930B	691348	Guard-Rewind
718A	499047	Pin-Locating (Crankshaft)	851	493880	Terminal-Spark Plug	957	497929	Cap-Fuel Tank (Plastic)
724	697478	Retainer-Seal	868	697338	Seal-Valve	969	694046	Screw (Blower Housing Cover)
729	690586	Clip-Wire Used on Type No(s). 0216, 0246, 0285, 0333.	869	699641	Seat-Valve (Intake)	976	694394	Primer-Carburetor
741	691805	Gear-Timing	870	699642	Seat-Valve (Exhaust)	1019	699934	Kit-Label
745	691146	Screw (Brake)	871	699643	Bushing-Valve Guide (Exhaust Valve)	1036	699930	Label-Emissions
745A	690859	Screw (Brake)	Note			1058	275508	Operator's Manual
770	499915	Kit-Rewind/Blower Housing	883	*Δ691880	Gasket-Exhaust	1095	498526	Gasket Set-Valve
772	691111	Screw (Linkage Cover)	913	494409	Seat-Check Valve	1210	499901	Pulley/Spring Assembly (Pulley)
772A	690345	Screw (Linkage Cover)	921	694044	Cover-Blower Housing	1211	499901	Pulley/Spring Assembly (Spring)
			921B	698709	Cover-Blower Housing	1218	695866	Seal-O Ring (Carburetor)
			921C	699796	Cover-Blower Housing Used on Type No(s). 0246, 0333.	1330	270962	Repair Manual

★ Included in Engine Gasket Set-Ref. No.358.

● Included in Carburetor Overhaul Kit-Ref. No. 121.

◆ Included in Carburetor Gasket Set-Ref. No. 977.

Δ Included in Valve Gasket Set-Ref. No 1095.

Illustrations cover a range of engines. Parts shown without corresponding text may not be used on your specific engine.