

**10K900**

# Illustrated Parts List

## Model Series

# 10K900

TYPE NUMBER  
0110 through 0354.

### TABLE OF CONTENTS

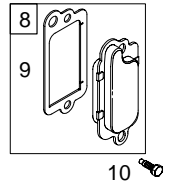
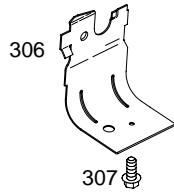
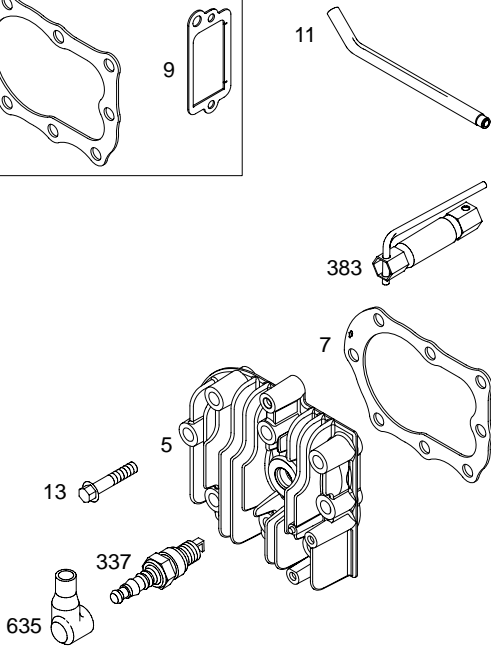
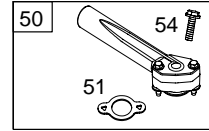
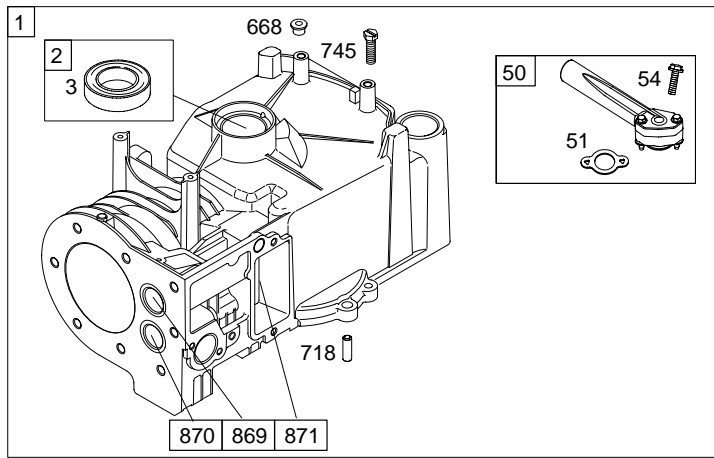
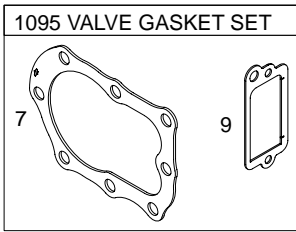
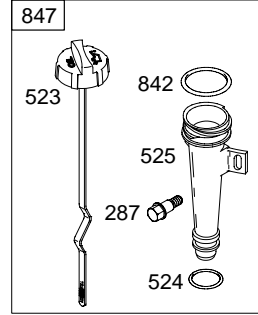
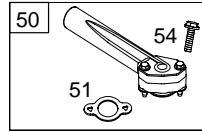
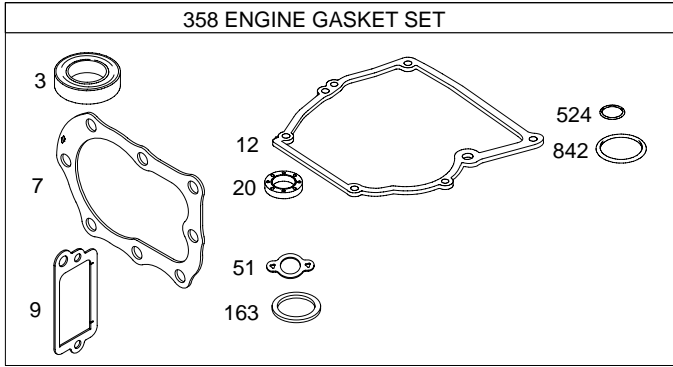
Air Cleaner .....	6
Blower Housing/Shrouds .....	6
Brakes .....	7
Cams .....	3
Carburetor .....	4
Controls .....	5
Crankcase Cover/Sump .....	3
Crankshaft .....	3
Cylinder .....	2
Flywheel .....	6
Fuel Tank .....	4
Governor Spring .....	5
Head .....	2
Ignition .....	5
Kits/Gaskets – Engine .....	2
Kits/Gaskets – Valve .....	2
Muffler .....	6
Oil Group .....	2
Piston Group .....	3
Rewind/Blower Housing .....	7
Valves .....	3



PRINTED IN U.S.A.

COPYRIGHT by BRIGGS & STRATTON CORPORATION  
All rights reserved. No part of this material may be reproduced or transmitted, in any form or by any means, electronic or mechanical, including photocopying, recording or by any information storage and retrieval system, without permission in writing from Briggs & Stratton Corporation.

# 10K900

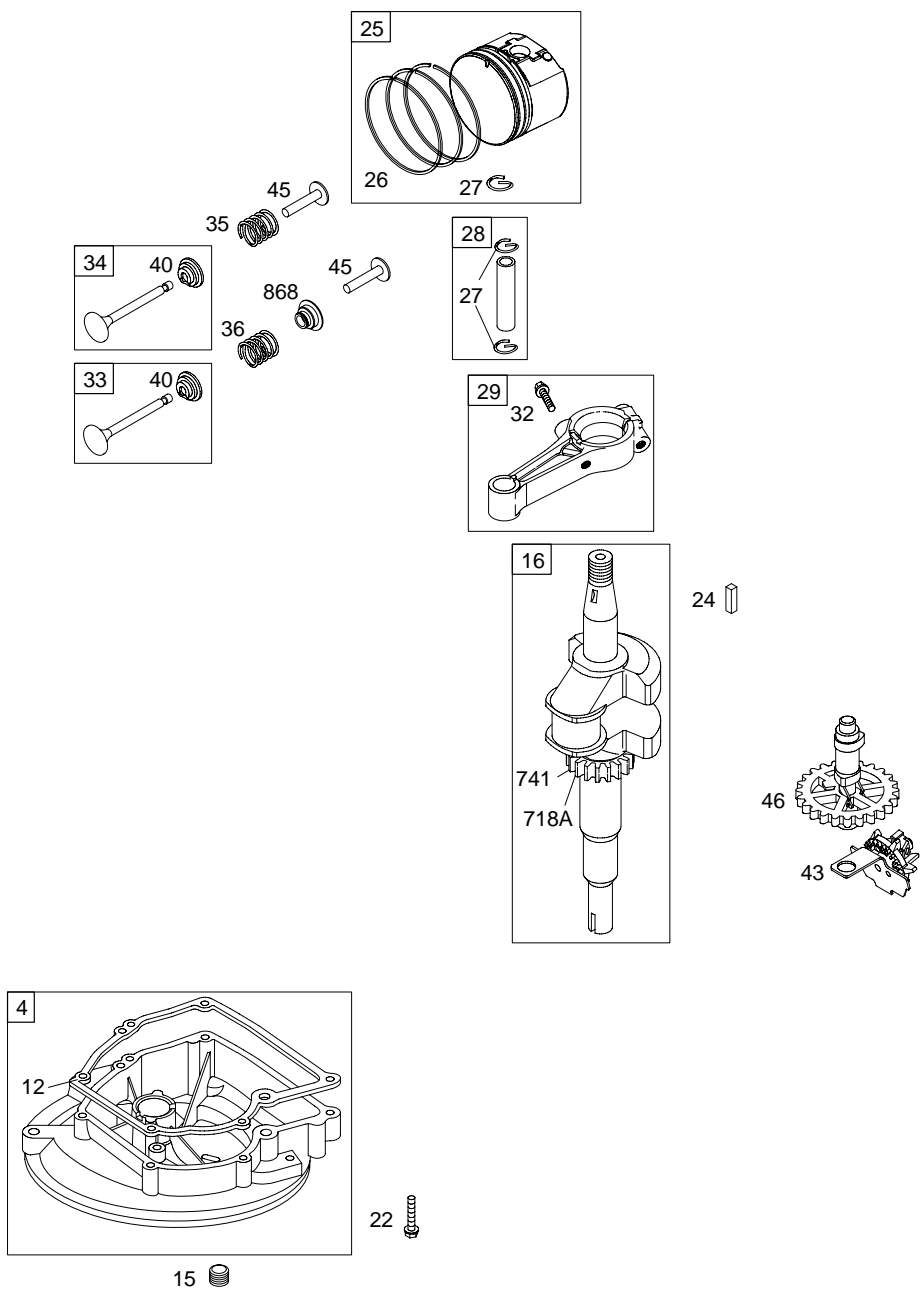


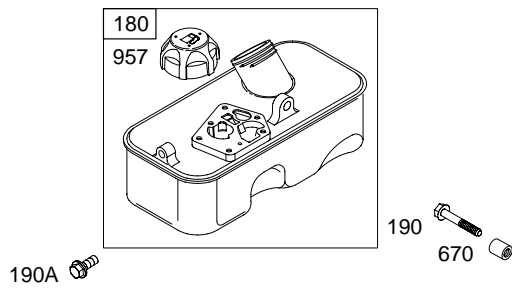
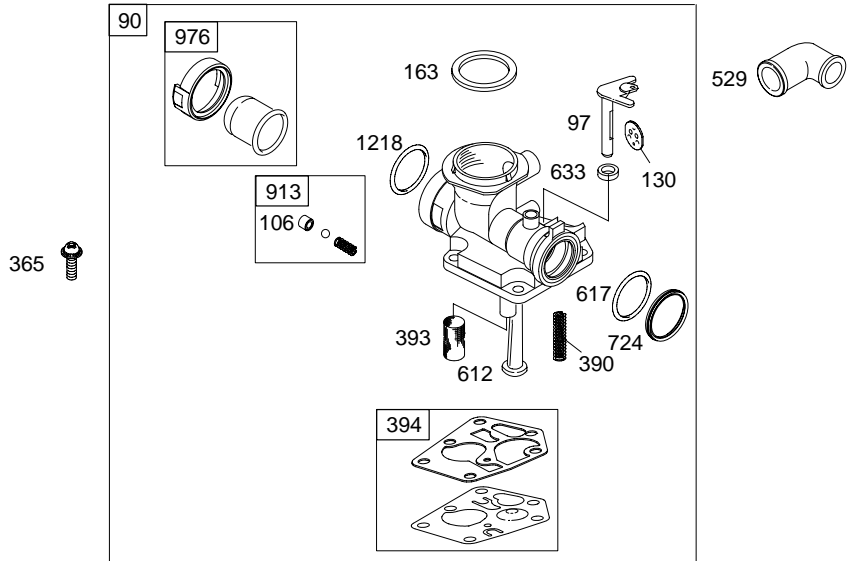
1019 LABEL KIT

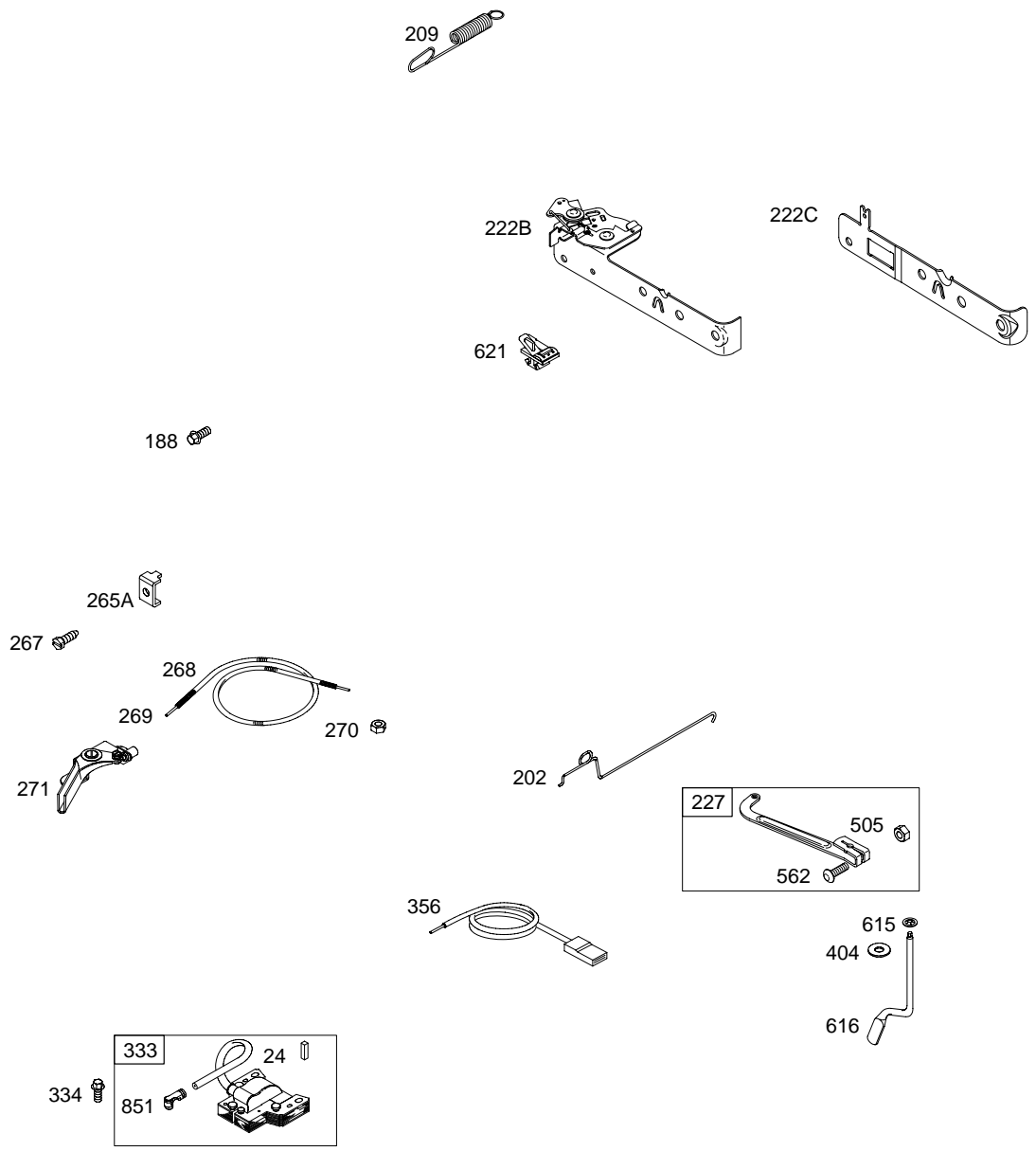
1058 OWNER'S MANUAL

1330 REPAIR MANUAL

Illustrations cover a range of engines. Parts shown without corresponding text may not be used on your specific engine.  
 5851-2 Assemblies include all parts shown in frames. 05/20/2004

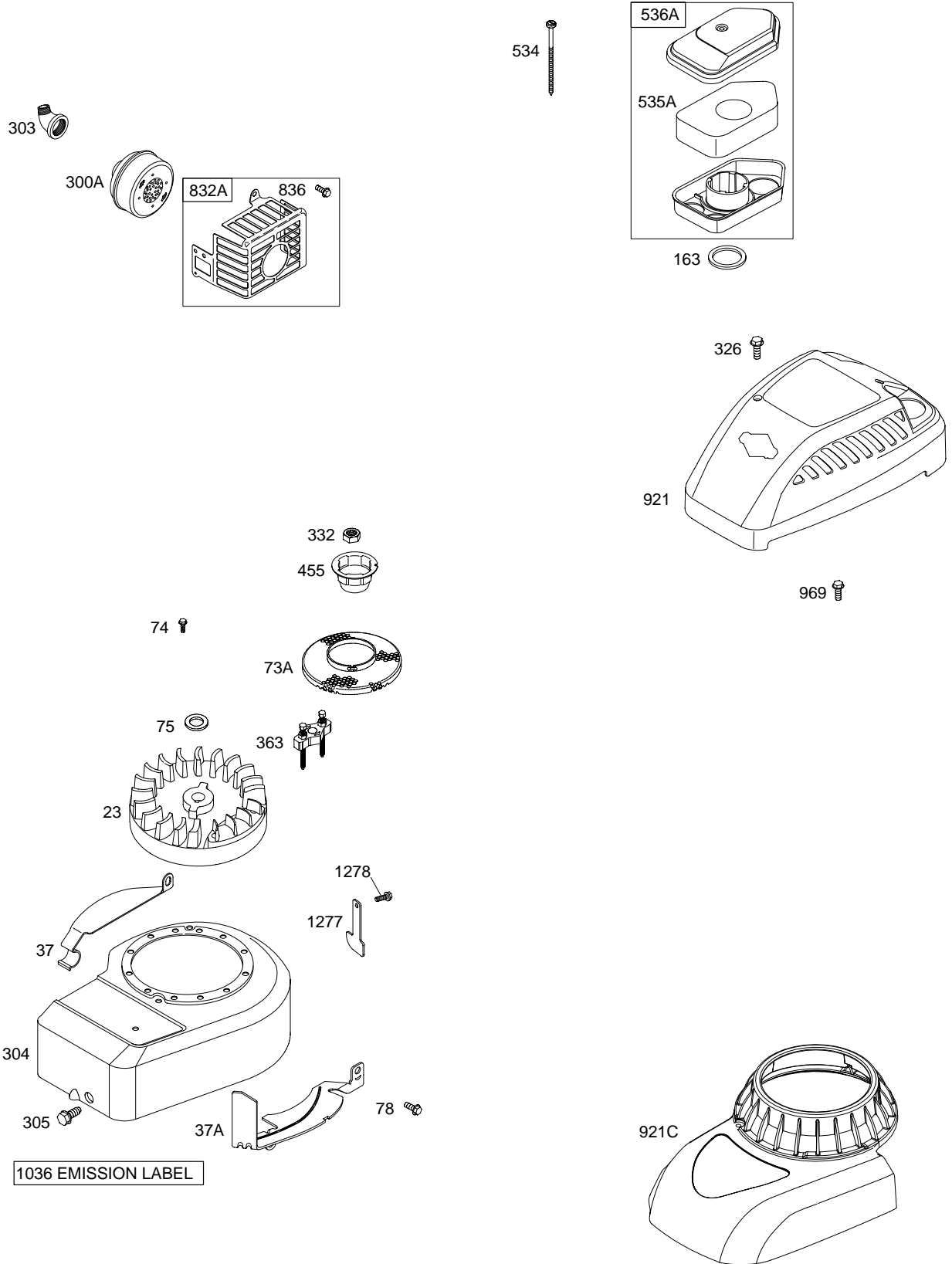




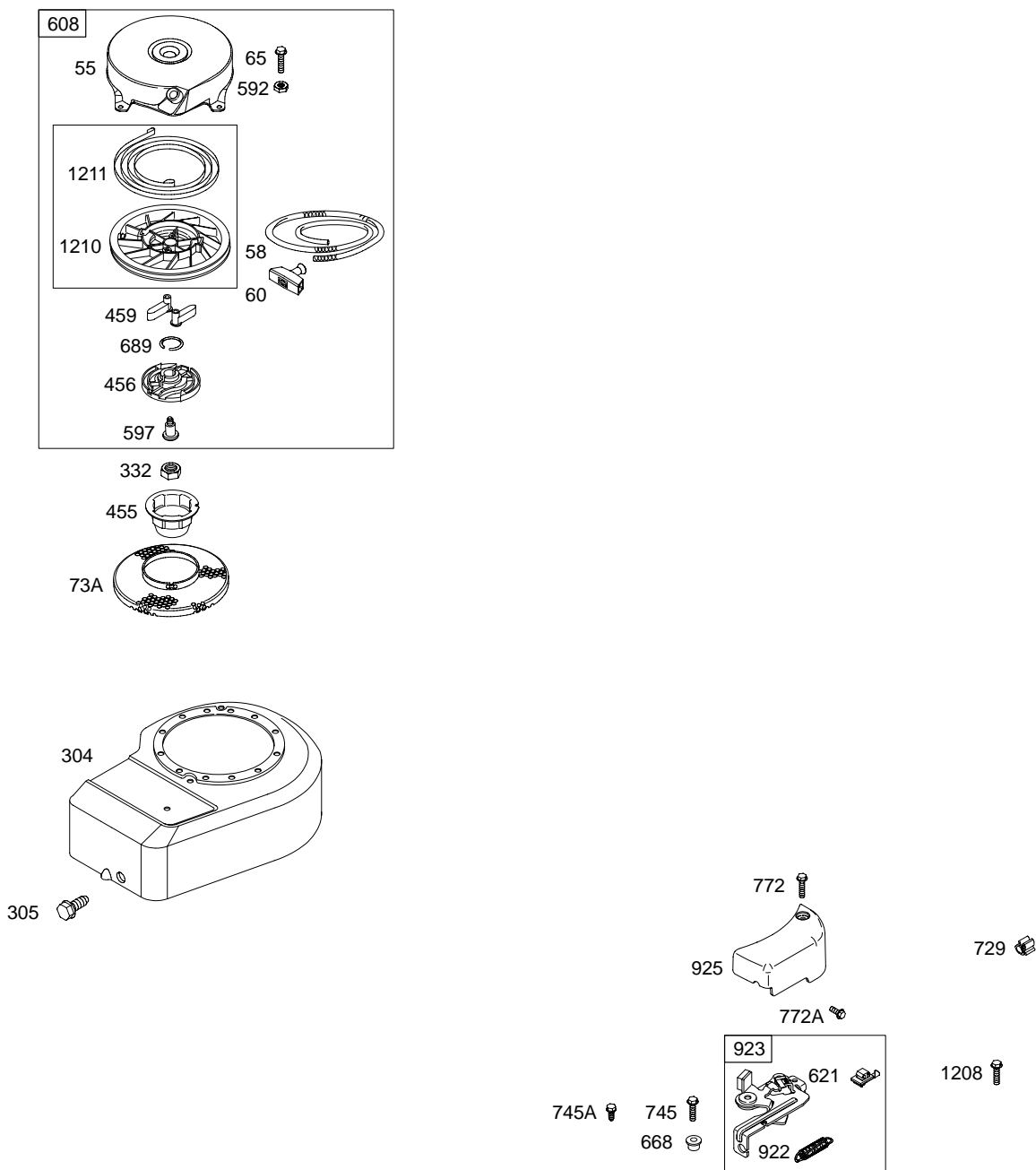


Illustrations cover a range of engines. Parts shown without corresponding text may not be used on your specific engine.  
5851-5 Assemblies include all parts shown in frames. 05/20/2004

# 10K900



Illustrations cover a range of engines. Parts shown without corresponding text may not be used on your specific engine.  
5851-6 Assemblies include all parts shown in frames. 05/20/2004



Illustrations cover a range of engines. Parts shown without corresponding text may not be used on your specific engine.  
 5851-7 Assemblies include all parts shown in frames. 05/20/2004

# 10K900

REF. NO.	PART NO.	DESCRIPTION	REF. NO.	PART NO.	DESCRIPTION	REF. NO.	PART NO.	DESCRIPTION
1	699650	Cylinder Assembly	28	699659	Pin-Piston (Standard)	90	790206	Carburetor (Used After Code Date 03111900).
2	399269	Kit-Bushing/Seal (Magneto Side)	29	699654	Rod-Connecting			<b>Note</b> _____
3	*299819	Seal-Oil (Magneto Side)	32	691664	Screw (Connecting Rod)			<b>697415</b> Carburetor (Used Before Code Date 03112000).
4	698691	Sump-Engine	33	296676	Valve-Exhaust	97	697414	Shaft-Throttle
5	690386	Head-Cylinder	34	296677	Valve-Intake	106	691901	Seat-Inlet
7	*Δ692288	Gasket-Cylinder Head	35	690520	Spring-Valve (Intake)	130	691190	Valve-Throttle
8	699640	Breather Assembly	36	690520	Spring-Valve (Exhaust)	163	*271139	Gasket-Air Cleaner
9	*Δ695890	Gasket-Breather	37	697403	Guard-Flywheel (Muffler Side)	180	494406	Tank-Fuel (Metal)
10	691666	Screw (Breather Assembly)	37A	691209	Guard-Flywheel (Carburetor Side)	188	692198	Screw (Control Bracket)
11	691245	Tube-Breather	40	692194	Retainer-Valve	190	691640	Screw (Fuel Tank)
12	*692218	Gasket-Crankcase (Standard)	43	697799	Slinger-Governor/Oil	190A	692198	Screw (Fuel Tank)
13	691640	Screw (Cylinder Head)	45	691762	Tappet-Valve	202	698835	Link-Mechanical Governor
15	691680	Plug-Oil Drain (Flush)	46	691998	Camshaft	209	698726	Spring-Governor
16	691472	Crankshaft	50	699644	Manifold-Intake			<b>Note</b> _____
		<b>Note</b> _____	51	*699649	Gasket-Intake			<b>698719</b> Spring- Governor Used on Type No(s). 0110.
		<b>691471</b> Crankshaft Used on Type No(s). 0354.	54	691111	Screw (Intake Manifold)	222B	697410	Bracket-Control
		<b>692989</b> Crankshaft Used on Type No(s). 0110.	55	692144	Housing-Rewind Starter	222C	698725	Bracket-Control Used on Type No(s). 0354.
20	*391483	Seal-Oil (PTO Side)	58	697316	Rope-Starter (Cut To Required Length)	227	697402	Lever-Governor Control
22	691662	Screw (Crankcase Cover/Sump)	60	691915	Grip-Starter Rope	265A	690798	Clamp-Casing Used on Type No(s). 0110.
23	692009	Flywheel	65	690837	Screw (Rewind Starter)	267	691044	Screw (Casing Clamp) Used on Type No(s). 0110.
24	222698	Key-Flywheel	73A	699850	Screen-Rotating			
25	699657	Piston Assembly (Standard)	74	691627	Screw (Rotating Screen)			
26	699658	Ring Set (Standard)	75	691736	Washer (Flywheel)			
27	691588	Lock-Piston Pin	78	692198	Screw (Flywheel Guard)			

\* Included in Engine Gasket Set-Ref. No.358.

● Included in Carburetor Overhaul Kit-Ref. No. 121.

◆ Included in Carburetor Gasket Set-Ref. No. 977.

Δ Included in Valve Gasket Set-Ref. No 1095.

**Illustrations cover a range of engines. Parts shown without corresponding text may not be used on your specific engine.**

5851-8

Assemblies include all parts shown in frames.

05/20/2004



# 10K900

REF. NO.	PART NO.	DESCRIPTION	REF. NO.	PART NO.	DESCRIPTION	REF. NO.	PART NO.	DESCRIPTION
268	691072	Casing—Control Wire (Cut To Required Length)	534	691417	Screw (Air Cleaner)	836	690664	Screw (Muffler Guard)
269	691589	Wire—Control (Cut To Required Length)	535A	698369	Filter—Air Cleaner Foam			Used on Type No(s). 0346.
270	691027	Nut (Control Wire Casing)	536A	698472	Cleaner—Air (Plastic)	842	★691870	Seal—O Ring (Dipstick Tube)
271	691028	Lever—Control	562	691119	Bolt (Governor Control Lever)	847	691440	Dipstick/Tube Assembly
287	691002	Screw (Dipstick Tube)	592	690800	Nut (Rewind Starter)	851	493880	Terminal—Spark Plug
300A	394569	Muffler (Round Lo Tone)	597	691696	Screw (Pawl Friction Plate)	868	697338	Seal—Valve
303	690291	Elbow—Exhaust	608	499706	Starter—Rewind	869	699641	Seat—Valve (Intake)
304	697411	Housing—Blower (Compliance)	612	496046	Tube—Pick Up	870	699642	Seat—Valve (Exhaust)
305	692198	Screw (Blower Housing)	615	690340	Retainer—Governor Shaft	871	699643	Bushing—Valve Guide (Exhaust Valve)
306	690400	Shield—Cylinder	616	697405	Crank—Governor	913	494409	Seat—Check Valve
307	690345	Screw (Cylinder Shield)	617	270344	Seal—O Ring (Intake Manifold)	921	694044	Cover—Blower Housing Used on Type No(s). 0110.
326	694046	Screw (Rewind Guard)	621	692310	Switch—Stop	921C	699796	Cover—Blower Housing Used on Type No(s). 0343.
332	690662	Nut (Flywheel)	633	691321	Seal—Choke/Throttle Shaft	922	692135	Spring—Brake
333	496914	Armature—Magneto	635	66538	Boot—Spark Plug	923	691487	Brake
334	691061	Screw (Magneto Armature)	668	692889	Spacer	925	691349	Cover—Linkage
337	802592	Plug—Spark	670	691633	Spacer—Fuel Tank (Compliance Engines)	957	497929	Cap—Fuel Tank (Plastic)
356	692390	Wire—Stop	689	691855	Spring—Friction (Ratchet Pawl)	969	692523	Screw (Blower Housing Cover)
358	699933	Gasket Set—Engine	718	690959	Pin—Locating (Cylinder)	976	694394	Primer—Carburetor
363	19069	Puller—Flywheel	718A	499047	Pin—Locating (Crankshaft)	1019	699934	Kit—Label
365	692200	Screw (Carburetor)	724	697478	Retainer—Seal	1036	699930	Label—Emissions
383	89838	Wrench—Spark Plug	729	690586	Clip—Wire	1058	275508	Operator's Manual
390	691839	Spring—Choke Diaphragm	741	691805	Gear—Timing	1095	498526	Gasket Set—Valve
393	691837	Screen—Carburetor	745	691146	Screw (Brake)	1208	690859	Screw (Brake Bracket)
394	495770	Diaphragm—Carburetor	745A	690859	Screw (Brake)	1210	499901	Pulley/Spring Assembly (Pulley)
404	690272	Washer (Governor Crank)	772	691111	Screw (Linkage Cover)	1211	499901	Pulley/Spring Assembly (Spring)
455	691236	Cup—Flywheel	772A	690345	Screw (Linkage Cover)	1218	695866	Seal—O Ring (Carburetor)
456	692299	Plate—Pawl Friction	832A	699670	Guard—Muffler Used on Type No(s). 0346.	1277	698718	Guard—Governor Nut
459	281505	Pawl—Ratchet				1278	691002	Screw (Governor Guard Nut)
505	691251	Nut (Governor Control Lever)				1330	270962	Repair Manual
523	692040	Dipstick						
524	★692296	Seal—Dipstick Tube						
525	691320	Tube—Dipstick						
529	692189	Grommet (Breather)						

★ Included in Engine Gasket Set—Ref. No.358.

● Included in Carburetor Overhaul Kit—Ref. No. 121.

◆ Included in Carburetor Gasket Set—Ref. No. 977.

△ Included in Valve Gasket Set—Ref. No 1095.

**Illustrations cover a range of engines. Parts shown without corresponding text may not be used on your specific engine.**

5851-9

Assemblies include all parts shown in frames.

05/20/2004