

**110700 to 110799**

# Illustrated Parts List

## Model Series

**110700 to 110799**

### Non-Compliance

TYPE NUMBERS  
0015 through 0106,  
0160 through 0276,  
0281, 0282, 0285,  
0286,  
0288, 0290,  
0300 through 0304.

### Compliance

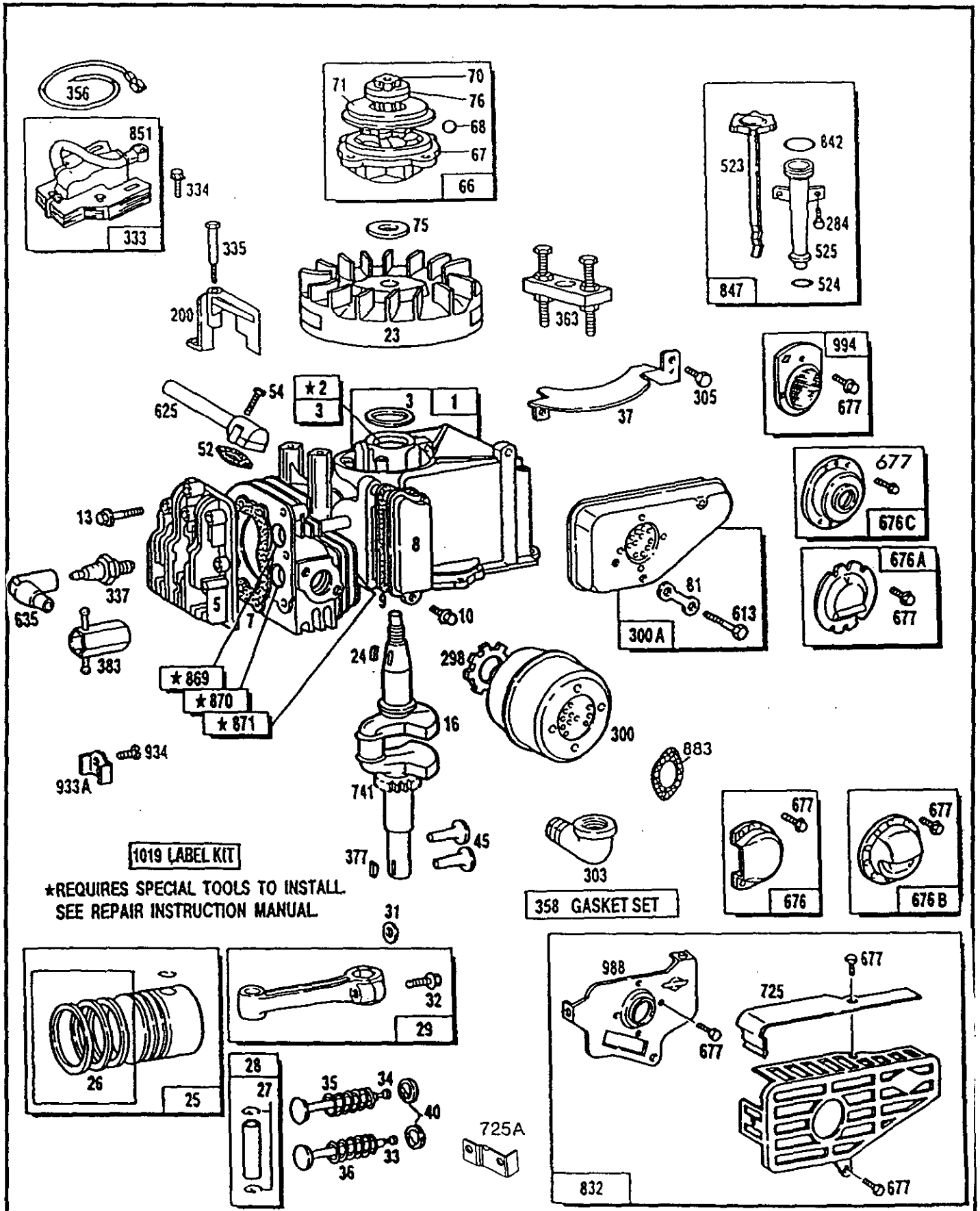
TYPE NUMBERS  
3000, 3006, 3036,  
3060 through 3226,  
3715 through 3719,  
3750 through 3753,  
3781, 3782, 3788.

#### TO FIND

#### THE CORRECT NUMBER OF THE PART YOU NEED: FOLLOW THE INSTRUCTIONS BELOW

- A. Refer to Engine Model, Type and Code Number that is stamped on the blower housing of engine. Engine type numbers such as 0123 01 are listed only as 0123 in most instances. The two digits (01 or 02, etc.) to the right of the space may be required for more accurate parts identification in some instances. Select the Illustrated Parts List covering the correct Model Series and Type Number.
- B. Refer to the Illustrations and compare the original part with Illustration. The number next to the illustration is the Reference Number. Assemblies include all parts shown in frames. All parts shown in assembly frames having individual reference numbers can be purchased separately.
- C. After the Reference Number has been identified, refer to the Numerical text, where Reference and Primary Part Number are listed. **THE PRIMARY PART IS USED ON ALL TYPE NUMBERS EXCEPT THOSE TYPE NUMBERS UNDER "NOTE."**
- D. If a "Note" appears below the Primary Part Number, it means that this part differs from the Primary Part for certain types. If your Type number is listed under "Note," order the part referred to at the "Note."
- E. If your Engine Type Number does not appear after any part number listed under "Note," use the Primary Part Number.
- F. For Engine Type Numbers not covered by this book, check other Parts Lists having the same engine model or contact your source of supply.

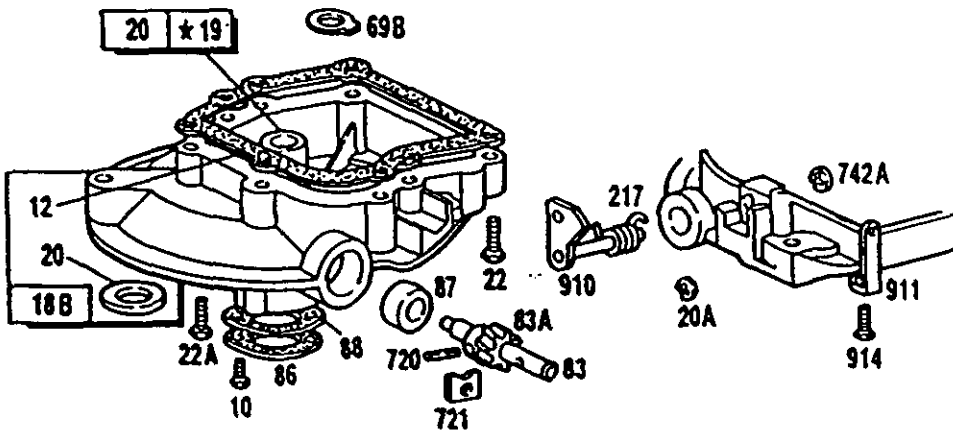
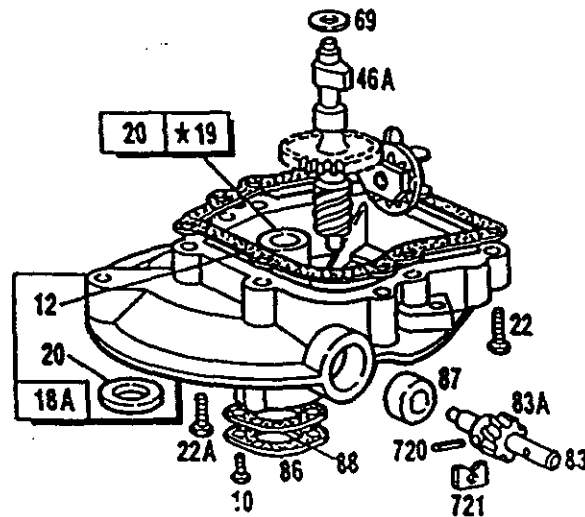
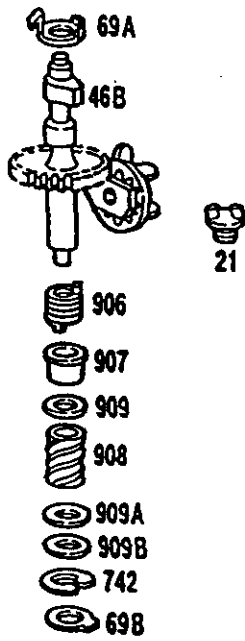
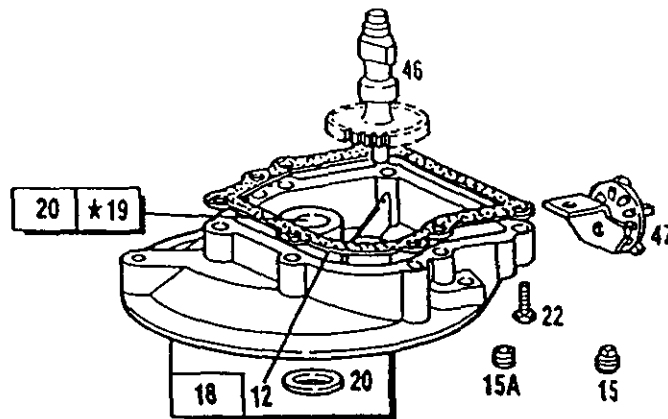
# 110700 to 110799



8511-1

Assemblies include all parts shown in frames.

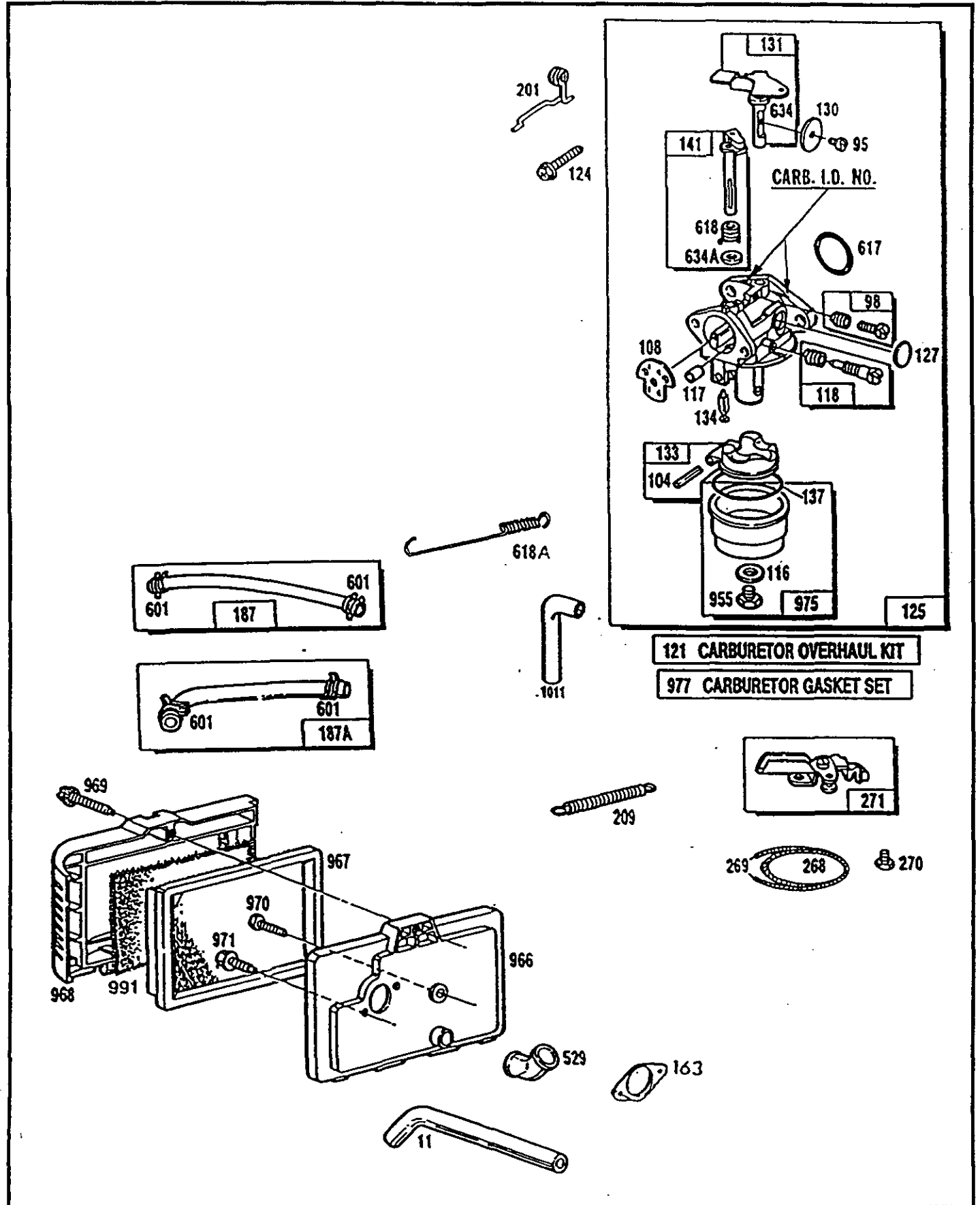
60

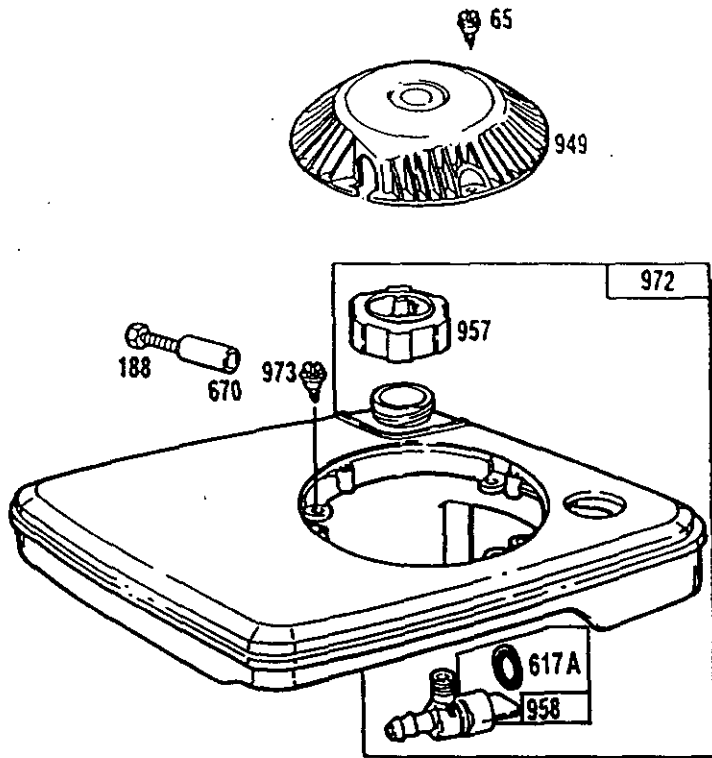


998 POWER TRAC KIT

★REQUIRES SPECIAL TOOLS TO INSTALL  
SEE REPAIR INSTRUCTION MANUAL

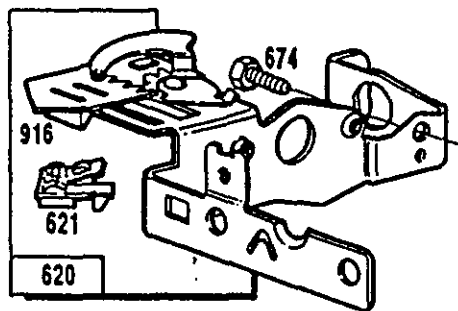
# 110700 to 110799



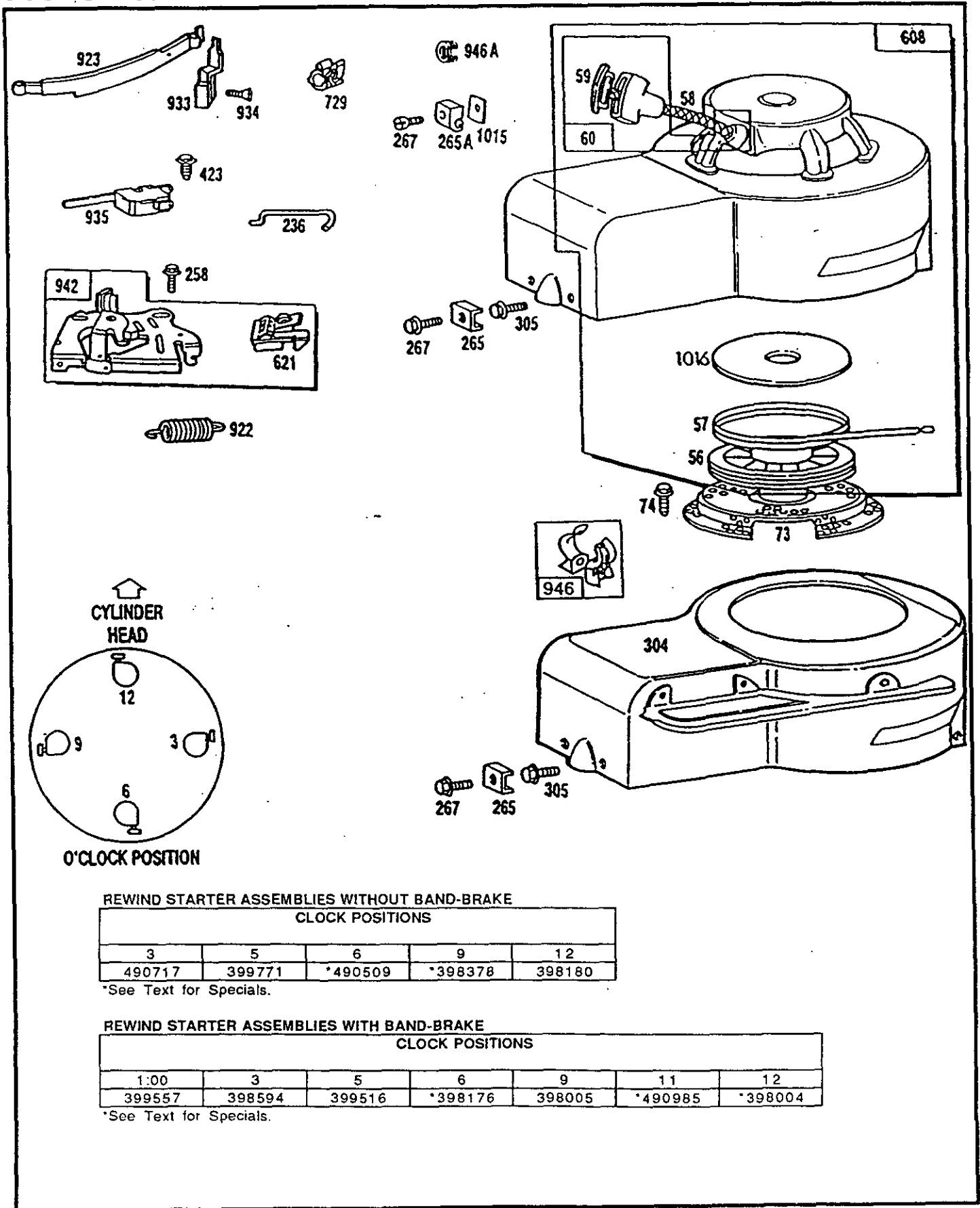


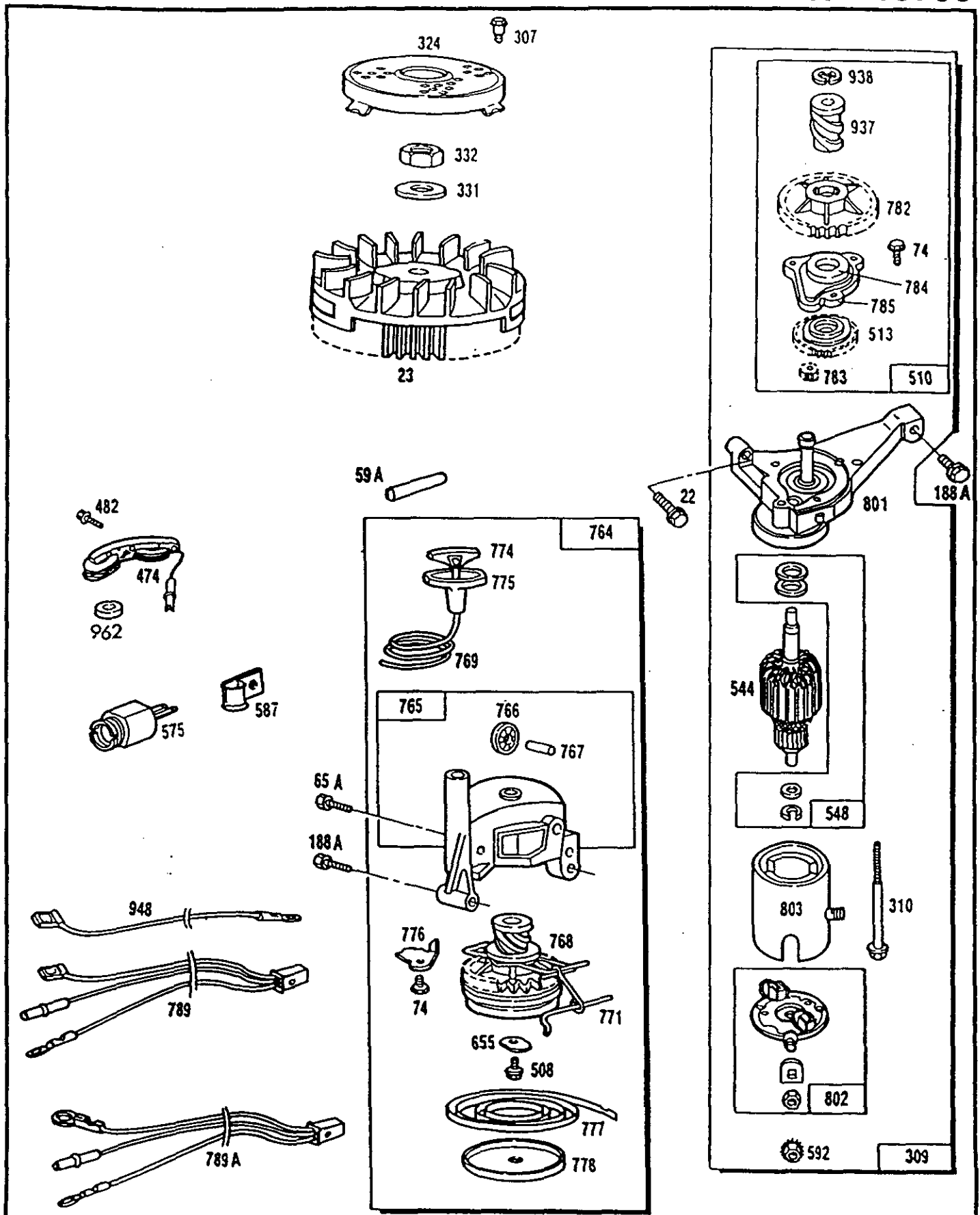
REF. 972  
 FUEL TANKS FOR ENGINES WITH REWIND START ONLY

Color	Black	Grey	Amer. Red (I/C®)	Sun Yellow	Light Fawn
Part No.	490622	490808	490806	490804	491045



# 110700 to 110799



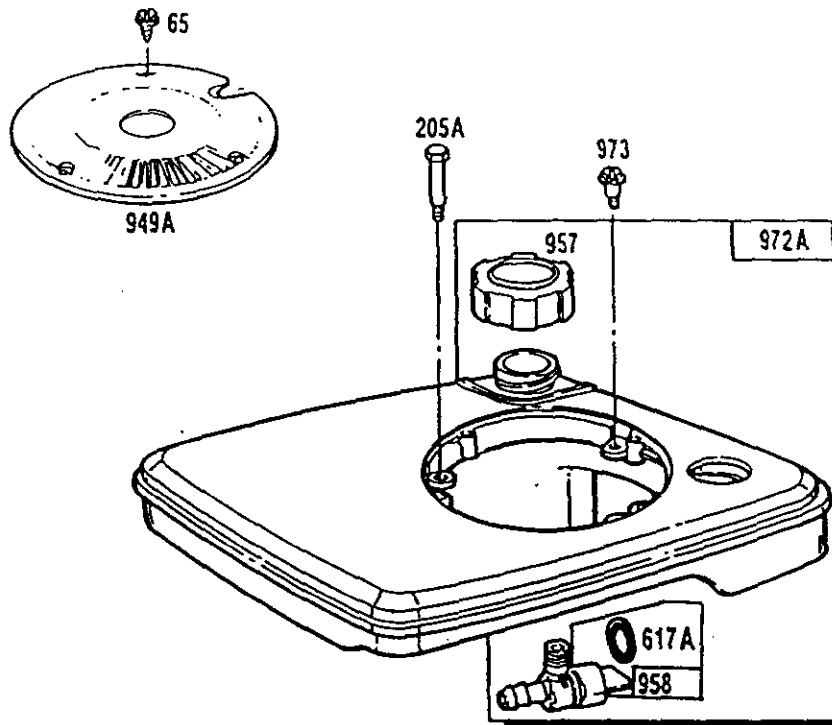


8511-6

Assemblies include all parts shown in frames.

60

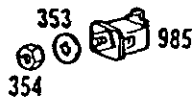
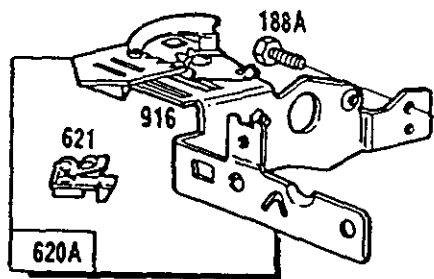
# 110700 to 110799



REF. 972A

FUEL TANKS FOR ENGINES WITH VERTICAL PULL OR ELECTRIC STARTERS.

COLOR	BLACK	GREY	AMER. RED(I/C )	SUN YELLOW	LIGHT FAWN
PART NO.	490623	492879	490805		491134





# 110700 to 110799

REF. NO.	PART NO.	DESCRIPTION	REF. NO.	PART NO.	DESCRIPTION	REF. NO.	PART NO.	DESCRIPTION
1	399168	Cylinder Assembly		3143, 3144, 3149,				0246, 0250, 0270,
2	293708	Bushing-Cylinder (Plain Bearing)		3150, 3215, 3719.				0271, 3069, 3085,
		<b>Note</b>		<b>397231</b> Crankshaft				3115, 3127, 3132,
		Requires special tools for installation.		Used on Type No(s).				3180, 3202, 3205,
				0182, 0204, 0215,				3214, 3717.
3	299819	Seal-Oil		0231, 0235, 0252,		18	395384	Sump-Engine
5	212996	Head-Cylinder		0276, 0300.				<b>Note</b>
7	270836	Gasket-Cylinder Hd.		<b>397235</b> Crankshaft				<b>391646</b> Sump-Engine
8	298383	Breather-Valve Chamber		Used on Type No(s).				Used on Type No(s).
9	270239	Gasket-Valve Cover		0263, 0265.				3092.
10	93394	Screw-Breather and P.T.O. Gear Sump Cover		<b>492087</b> Crankshaft				<b>395385</b> Sump-Engine
				Used on Type No(s).				Used on Type No(s).
11	231392	Tube-Breather		0022, 0026, 0052,				0173, 0216, 0256.
12	270833	Gasket-Crankcase .015" thick (Standard)		0053, 0161, 0162,				<b>491053</b> Sump-Engine
		<b>270895</b> Gasket		0165, 0172, 0181,				Used on Type No(s).
		-Crankcase		0183, 0187, 0193,				0212, 0281, 0282,
		(.005" thick)		0194, 0195, 0196,				0285, 0286, 0288,
		<b>270896</b> Gasket		0197, 0211, 0221,				3113, 3114, 3122,
		-Crankcase		0228, 0230, 0234,				3123, 3140, 3142,
		(.009" thick)		0236, 0239, 0242,				3143, 3144, 3149,
				0244, 0247, 0255,		18A	395390	Sump-Engine
				0260, 0261, 0272,				Used on Model Series
				0273, 0275, 0290,				<i>110782 to 110788.</i>
13	93111	Screw-Cylinder Hd. (1-15/16" long)		0304, 3016, 3052,		18B	395392	Sump-Engine
		<b>Note</b>		3053, 3060, 3061,				(For Clutch)
		<b>93772</b> Stud-Cylinder Head		3062, 3063, 3064,		19	293709	Bushing-Engine Sump
		<b>22963</b> Washer		3073, 3076, 3077,				<b>Note</b>
		Used on Type No(s).		3078, 3080, 3081,				Requires special tools for installation.
		0224, 3120, 3121, 3213.		3093, 3104, 3110,				
15	91084	Plug-Oil Drain		3120, 3125, 3147,		20	391483	Seal-Oil
15A	93418	Plug-Oil Drain (Socket Head)		3160, 3175, 3176,				<b>Note</b>
16	492093	Crankshaft		3181, 3195, 3196,				<b>391484</b> Seal-Oil
		<b>Note</b>		3197, 3198, 3204,				(Auxiliary Drive Shaft)
		To Replace Crankshaft		3206, 3216, 3217,				<b>391485</b> Seal-Oil
		Gear Pin-		3218, 3716, 3752,				(Crankshaft-P.T.O.
		Order Part No.		3753, 3782.				Side)
		<b>230978.</b>		<b>492094</b> Crankshaft				Used on Type No(s).
		<b>262207</b> Crankshaft		Used on Type No(s).				3092.
		<b>Use(s):</b>		0207, 0224, 3066,				<b>391485</b> Seal-Oil
		<b>220708</b> Shim-		3087, 3088, 3091,				Used on Type No(s).
		Crankshaft Thrust		3105, 3106, 3121,				0212, 0281, 0282,
		Used on Type No(s).		3128, 3146, 3177,				0285, 0286, 0288,
		3092.		3186, 3718.				3113, 3114, 3122,
		<b>262340</b> Crankshaft		<b>492096</b> Crankshaft				3123, 3140, 3142,
		<b>Use(s):</b>		Used on Type No(s).				3143, 3144, 3149,
		<b>220708</b> Shim-		0025, 0050, 3101,				3150, 3215, 3719.
		Crankshaft Thrust		3108, 3124, 3136,		20A	280266	Seal-Oil
		Used on Type No(s).		3137, 3138, 3151,				
		0212, 0281, 0282,		3157, 3158, 3161,		21	66768	Plug-Oil Filler
		0285, 0286, 0288,		3166, 3172, 3715,		22	93032	Screw-Sump Mtg.
		3113, 3114, 3122,		3750, 3751, 3781,				Sem
		3123, 3140, 3142,		3788.		22A	93415	Screw-Sem
				<b>492097</b> Crankshaft				(One used in Auxiliary
				Used on Type No(s).				Drive Gear Sump) on
				0188, 0189, 0203,				Used on Model Series
				0220, 0233, 0237,				<i>110782 to 110788.</i>

# 110700 to 110799

REF. NO.	PART NO.	DESCRIPTION	REF. NO.	PART NO.	DESCRIPTION	REF. NO.	PART NO.	DESCRIPTION
23	395653	Flywheel—Magneto ——— <b>Note</b> ——— 394066 Flywheel—Magneto Used on Type No(s). 0015, 0173, 0200, 0216, 0224, 0225, 0246, 0247, 0249, 0250, 0256, 0270, 0271, 3087, 3088, 3091, 3103, 3105, 3108, 3159, 3190, 3193.	32	94405	Screw—Connecting Rod	47	294652	Oil Slinger Gear and Bracket
23A	394848	Flywheel—Magneto Used on Model Series 110707 and 110787. ——— <b>Note</b> ——— 394032 Flywheel—Magneto For Vertical Pull Used on Model Series 110708 and 110788.	33	212004	Valve—Exhaust	52	270844	Gasket—Intake Elbow
24	222698	Key—Flywheel	34	261233	Valve—Intake	54	93485	Screw—Intake Elbow Mounting
25	391650	Piston Assy. (Standard) 391651 Piston Assy. (.010" O.S.) 391652 Piston Assy. (.020" O.S.) 391653 Piston Assy. (.030" O.S.)	35	260552	Spring—Intake Valve	56	280439	Pulley—Starter
26	391654	Ring Set—Piston (Standard) 392330 Piston Assy. (Chrome Standard) 391656 Piston Assy. (.010" O.S.) 391658 Piston Assy. (.020" O.S.) 391660 Piston Assy. (.030" O.S.)	36	26478	Spring—Exhaust Valve	57	490179	Spring—Rewind Starter
27	26026	Lock—Piston Pin	37	223150	Guard—Flywheel	58	280406	Rope—Rewind Starter (82" long) 280399 Rope—Rewind Starter (Cut to Required Length) 66734 Rope—Rewind Starter (48–5/8" long)
28	391649	Pin Assembly—Piston (Standard) 394861 Pin Assembly—Piston (.005" O.S.)	40	93312	Retainer—Valve Spring Used with valves with groove in stem.	59	396892	Insert—Starter Grip
29	391640	Rod Assembly—Connecting (Standard) 393710 Rod Assy.—Connecting (.020" undersize)	45	261250	Tappet—Valve	59A	230228	Pin—Starter Grip
31	222282	Washer—Flat (One for Each Screw)	46	395856	Gear—Cam ——— <b>Note</b> ——— 392275 Gear—Cam Used on Type No(s). 3092.	60	393152	Grip—Starter Rope
			46A	395904	Cam Gear, Worm and Oil Slinger Assembly ——— <b>Note</b> ——— 395906 Cam Gear, Worm and Oil Slinger Assembly (Counterclockwise) Used on Type No(s). 0051, 0052, 0061, 0162, 0163, 0166, 0167, 0171, 0184, 0185, 0186, 0196, 0198, 0201, 0202, 0205, 0208, 0213, 0217, 0218, 0219, 0229, 0234, 0236, 0238, 0240, 0241, 0259, 0264, 0265, 0276, 0290, 3063, 3065, 3068, 3070, 3076, 3078, 3088, 3089, 3091, 3098, 3105, 3107, 3129, 3131, 3136, 3137, 3139, 3141, 3155, 3156, 3157, 3158, 3166, 3172, 3175, 3178, 3187, 3189, 3192, 3194, 3195, 3197, 3204, 3206, 3210, 3212, 3216, 3217, 3751, 3752, 3788. 399894 Cam Gear, Worm and Oil Slinger Assembly Used on Type No(s). 3095, 3096.	65	94058	Screw—Guard Mounting
						65A	93587	Screw—Vertical Pull Starter Mounting
						66	399671	Clutch Assembly—Rewind Starter
						67	394897	Housing—Starter Clutch
						68	63770	Ball—Clutch
						69	66874	Washer—Thrust ——— <b>Note</b> ——— 68938 Washer—Thrust
						69A	223011	Washer—Clip
						69B	223228	Washer—Thrust
						70	298436	Ratchet—Rewind Starter
						71	394506	Washer—Clutch Retainer ——— <b>Note</b> ——— 221653 Washer—Clutch Retainer
						73	221661	Screen—Starter Pulley
						74	93490	Screw—Sem
						75	220865	Washer
						76	68238	Washer—Ratchet Sealing
						81	223256	Lock—Muffler Screw
						83	230831	Shaft—Drive ——— <b>Note</b> ——— 230860 Shaft—Drive Used on Type No(s). 0175, 0177, 0179. 230870 Shaft—Drive Used on Type No(s). 0243, 3173, 3184, 3185.

# 110700 to 110799

REF. NO.	PART NO.	DESCRIPTION	REF. NO.	PART NO.	DESCRIPTION	REF. NO.	PART NO.	DESCRIPTION	
		<b>230921</b> Shaft-Drive Used on Type No(s). 0191, 0199.	<b>87</b>	<b>391484</b>	Seal-Oil			(For LMS-10)	
		<b>230948</b> Shaft-Drive Used on Type No(s). 0051, 0185, 0198, 0208, 0218, 0238, 0240, 3063, 3064, 3093, 3095, 3096, 3139, 3141, 3187, 3751, 3788.	<b>88</b>	<b>270328</b>	Gasket-Sump Cover			<b>492588</b> Carb. Assy. (Snap-Over Choke) Used on Type No(s). 0285, 0286, 0288, 0290, 3143, 3144, 3149, 3150, 3151, 3157, 3158, 3160, 3166, 3215, 3216, 3217, 3719.	
		<b>230952</b> Shaft-Drive Used on Type No(s). 0162, 0166, 0167, 0184, 0201, 0272, 3062, 3172, 3194.	<b>95</b>	<b>94098</b>	Screw-Throttle Valve Mounting Sem			<b>127</b>	Plug-Welch
		<b>231213</b> Shaft-Drive Used on Type No(s). 3068, 3070, 3082, 3089, 3129, 3131, 3136, 3137, 3155, 3156, 3157, 3158, 3166, 3210, 3212.	<b>98</b>	<b>398185</b>	Screw-Idle Adjustment			<b>130</b>	<b>223470</b> Valve-Throttle
		<b>231278</b> Gear-Drive ----- <b>Note</b> ----- <b>231279</b> Gear-Drive Used on Type No(s). 0051, 0052, 0061, 0162, 0163, 0166, 0167, 0171, 0175, 0177, 0179, 0184, 0185, 0186, 0196, 0198, 0201, 0202, 0205, 0208, 0213, 0217, 0218, 0219, 0229, 0234, 0236, 0238, 0240, 0241, 0259, 0264, 0265, 0276, 0290, 3063, 3065, 3068, 3070, 3076, 3078, 3088, 3089, 3091, 3098, 3105, 3107, 3129, 3131, 3136, 3137, 3139, 3141, 3155, 3156, 3157, 3158, 3166, 3172, 3175, 3178, 3184, 3185, 3187, 3189, 3192, 3194, 3195, 3197, 3204, 3206, 3210, 3212, 3216, 3217, 3751, 3752, 3788. <b>231453</b> Gear-Drive Used on Type No(s). 3095, 3096.	<b>104</b>	<b>231371</b>	Pin-Float Hinge			<b>131</b>	<b>491333</b> Shaft and Lever- Throttle (Used After Code Date 87081600). ----- <b>Note</b> ----- <b>398673</b> Shaft and Lever-Throttle (Used Before Code Date 87081700).
<b>83A</b>	<b>231278</b>	<b>231278</b> Gear-Drive ----- <b>Note</b> ----- <b>231279</b> Gear-Drive Used on Type No(s). 0051, 0052, 0061, 0162, 0163, 0166, 0167, 0171, 0175, 0177, 0179, 0184, 0185, 0186, 0196, 0198, 0201, 0202, 0205, 0208, 0213, 0217, 0218, 0219, 0229, 0234, 0236, 0238, 0240, 0241, 0259, 0264, 0265, 0276, 0290, 3063, 3065, 3068, 3070, 3076, 3078, 3088, 3089, 3091, 3098, 3105, 3107, 3129, 3131, 3136, 3137, 3139, 3141, 3155, 3156, 3157, 3158, 3166, 3172, 3175, 3178, 3184, 3185, 3187, 3189, 3192, 3194, 3195, 3197, 3204, 3206, 3210, 3212, 3216, 3217, 3751, 3752, 3788. <b>231453</b> Gear-Drive Used on Type No(s). 3095, 3096.	<b>108</b>	<b>223471</b>	Valve-Choke			<b>133</b>	<b>398187</b> Float Assy.-Carburetor
			<b>116</b>		Gasket-Sealing (Sold in Kit Only)			<b>134</b>	<b>398188</b> Valve-Inlet
			<b>117</b>		Jet (Sold in Kit Only)			<b>137</b>	Gasket-Bowl
			<b>118</b>	<b>492945</b>	Valve and Spring- Needle (For LMS 11) <b>398670</b> Valve and Spring- Needle (For LMS-3, XXX3 and LMS 10) <b>398157</b> Valve and Spring- Needle (For LMS-1 & XXX1) ----- <b>Note</b> ----- See Carburetor Illustration for Location of LMS I.D. Number			<b>141</b>	<b>398186</b> Shaft-Choke ----- <b>Note</b> ----- <b>492834</b> Shaft-Choke Used on Type No(s). 0285, 0286, 0288, 0290, 3143, 3144, 3149, 3150, 3151, 3157, 3158, 3160, 3166, 3215, 3216, 3217, 3719.
			<b>121</b>	<b>492495</b>	Carb. Overhaul Kit (For LMS 11) <b>492072</b> Carburetor Overhaul Kit (For LMS-3 & XXX3) <b>398158</b> Carburetor Overhaul Kit (For LMS-1 & XXX1) <b>492072</b> Carburetor Overhaul Kit (For LMS-10) ----- <b>Note</b> ----- See Carburetor Illustration for Location of LMS I.D. Number			<b>163</b>	<b>271840</b> Gasket-Air Cleaner
			<b>124</b>	<b>94119</b>	Screw-Carburetor Mtg.			<b>187</b>	<b>393815</b> Hose-Fuel
			<b>125</b>	<b>492545</b>	Carburetor Assembly (For LMS-11 Except As Listed Below) ----- <b>Note</b> ----- <b>491331</b> Carb. Assy. (Used After Code Date 87081600). (For LMS-1, LMS-3, XXX1 & XXX3) <b>492498</b> Carb. Assy. (Used Before Code Date 87081700). (For LMS-1, LMS-3, XXX1 & XXX3) <b>491330</b> Carb. Assy.			<b>187A</b>	<b>398367</b> Hose & Clamps Assy.-Fuel Used on Model Series <i>110707, 110708,</i> <i>110787, and 110788.</i> <b>398396</b> Hose & Clamps Assy.-Fuel Used on Model Series <i>110702 and 110782.</i>
								<b>188</b>	<b>398540</b> Screw-Fuel Tank and Starter Mounting
								<b>188A</b>	<b>93847</b> Screw-Starter Mounting
								<b>200</b>	<b>68388</b> Blade-Governor
								<b>201</b>	<b>262365</b> Link-Governor (Used After Code Date 87081600). <b>262043</b> Link-Gov. (Used Before Code Date 87081700).
<b>86</b>	<b>221780</b>	Cover-Sump							

# 110700 to 110799

REF. NO.	PART NO.	DESCRIPTION	REF. NO.	PART NO.	DESCRIPTION	REF. NO.	PART NO.	DESCRIPTION
		————— <b>Note</b> —————			3070, 3089, 3090, 3109, 3110, 3118, 3125, 3133, 3134, 3142, 3150, 3182, 3185, 3195, 3209, 3210, 3212.	268	66986	Casing—Control Wire (48" long)
		<b>262430</b> Link—Governor (Used After Code Date 87081600).			<b>261061</b> Spring— Governor Used on Type No(s). 0166, 0172, 0250, 3083.			————— <b>Note</b> —————
		<b>262067</b> Link—Governor (Used Before Code Date 87081700). Used on Model Series <i>110707 and 110787.</i>			<b>261105</b> Spring— Governor Used on Type No(s). 0021, 0022, 0061, 0160, 0161, 0162, 0163, 0180, 0181, 0189, 0201, 0202, 0203, 0205, 0215, 0220, 0228, 0244, 0245, 0253, 0259, 0262, 0263, 0268, 0281, 0285, 3064, 3066, 3067, 3068, 3069, 3082, 3085, 3093, 3113, 3114, 3115, 3120, 3121, 3140, 3144, 3154, 3175, 3176, 3177, 3178, 3183, 3184, 3185, 3189, 3192, 3200, 3213, 3218, 3781, 3782, 3788.	269	26099	Wire Control (54" long)
205	94141	Screw—Hex. Hd.			<b>261106</b> Spring— Governor Used on Type No(s). 3135, 3207.			————— <b>Note</b> —————
209	261060	Spring—Governor			<b>261320</b> Spring— Governor Used on Type No(s). 0167, 0170, 0187, 0214, 0222, 0243, 0247, 0251, 0271, 3071, 3086, 3087, 3088, 3092, 3097, 3099, 3103, 3105, 3106, 3129, 3136, 3146, 3157, 3159, 3190, 3205, 3214.	270	63426	Locknut—Control Wire Casing
		————— <b>Note</b> —————			<b>261520</b> Spring—Return	271	290568	Lever Assembly—Con- trol
		<b>260875</b> Spring— Governor Used on Type No(s). 0015, 0100, 0101, 0106, 0164, 0165, 0175, 0177, 0179, 0183, 0190, 0200, 0204, 0206, 0207, 0210, 0211, 0221, 0224, 0225, 0227, 0249, 0270, 0271, 3000, 3006, 3036, 3060, 3065, 3091, 3104, 3108, 3112, 3132, 3201.			<b>261535</b> Clamp—Casing	284	94073	Screw—Clamp Mounting
		<b>260877</b> Spring— Governor Used on Type No(s). 0169, 0174, 0184, 0191, 0193, 0196, 0198, 0209, 0212, 0217, 0218, 0233, 0235, 0237, 0241, 0242, 0254, 0255, 0275, 0282, 0285, 0304, 3072, 3094, 3095, 3098, 3116, 3119, 3123, 3124, 3127, 3131, 3137, 3139, 3143, 3151, 3158, 3160, 3171, 3179, 3191, 3196, 3198, 3203, 3204, 3206, 3216, 3217, 3719.			<b>261320</b> Spring— Governor Used on Type No(s). 0167, 0170, 0187, 0214, 0222, 0243, 0247, 0251, 0271, 3071, 3086, 3087, 3088, 3092, 3097, 3099, 3103, 3105, 3106, 3129, 3136, 3146, 3157, 3159, 3190, 3205, 3214.	298	220859	Locknut—Muffler
		<b>261034</b> Spring— Governor Used on Type No(s). 0182, 0186, 0213, 0226, 0229, 0231, 0238, 0240, 0252, 0257, 0258, 0273, 0274, 0301, 0302,			<b>261320</b> Spring— Governor Used on Type No(s). 0167, 0170, 0187, 0214, 0222, 0243, 0247, 0251, 0271, 3071, 3086, 3087, 3088, 3092, 3097, 3099, 3103, 3105, 3106, 3129, 3136, 3146, 3157, 3159, 3190, 3205, 3214.	300	394569	Muffler—Exhaust
			217	261520	Spring—Return	300A	394644	Muffler—Exhaust
			236	262461	Link—Brake Lock—Out	303	91943	Elbow—Exhaust
			258	94018	Screw—Hex Head	304	398391	Housing—Blower Used on Model Series <i>110707, 110708 and 110787.</i>
			265	221535	Clamp—Casing			With Band—Brake <b>398828</b> Hsg.—Blower Used on Model Series <i>110707, 110708, 110787 and 110788.</i>
			265A	213146	Clamp—Casing	305	94153	Screw—Blower Housing Mounting Sem
			267	93686	Screw—Clamp Mtg.	307	93490	Screw—Shoulder
						309	398635	Motor—Starter
						310	94051	Bolt—Starter Motor
						324	223006	Screen—Rotating
						331	223047	Washer—Flywheel
						332	92284	Nut—Flywheel
						333	398593	Armature—Magneto
						334	93381	Screw—Armature Mounting Sem
						335	93435	Screw—Armature and Governor Blade Mtg. Sem

# 110700 to 110799

REF. NO.	PART NO.	DESCRIPTION	REF. NO.	PART NO.	DESCRIPTION	REF. NO.	PART NO.	DESCRIPTION
337	298809	Plug-Spark		399557	Starter			(6 o'clock)
		293918 Plug-Spark			Assy.-Rewind			Used on Type No(s).
		492167 Plug-Spark		398594	Starter			0227, 0304.
353	92791	Washer-Lock-Shakeproof			Assy.-Rewind	613	93935	Screw-Muffler Mtg.
354	90576	Nut-Hex.-8-32		399516	Starter	617	270344	Seal-Fuel Intake Tube
356	398808	Wire-Ground			Assy.-Rewind	617A	280670	O-Ring
358	391662	Gasket Set		398176	Starter	618	262035	Spring-Choke
363	19069	Puller-Flywheel			Assy.-Rewind	618A	260870	Spring
377	93065	Key-Woodruff No. 6		398005	Starter	620	398181	Plate-Carburetor Control
		<b>Note</b>		490985	Starter			Used on Model Series
		91539 Key-Crankshaft			Assy.-Rewind			110702 and 110782.
		Used on Type No(s).		398004	Starter			<b>Note</b>
		0249.			Assy.-Rewind			399392 Control-
383	89838	Wrench-Spark Plug			<b>Note</b>			Manual Friction
423	93758	Screw-Sem		399316	Starter Assy.-			Used on Type No(s).
474	397880	Stator Assy.-Alternator			Rewind			0270.
482	94016	Screw-Hex. Hd.			(6 o'clock)			492389 Plate-Carbu-
508	93158	Screw-Sem			Used on Type No(s).			retor Control
510	395727	Drive Kit-Starter			3064, 3069, 3083,			(For Snap-Over
513	394815	Clutch Assembly-Electric Starter			3089, 3113, 3114,			Choke Carburetor)
					3122, 3131, 3137,			Used on Type No(s).
523	398012	Cap with Dipstick-Oil Filler			3142, 3149, 3150,			0285, 0286, 0288,
		Used on Model Series			3158, 3175, 3176,			3143, 3144, 3151,
		110702 and 110782.			3195, 3218, 3781,			3157, 3160, 3166,
		398033 Cap and			3782, 3788.			3215, 3216, 3217,
		Dipstick- Oil Filler			399547 Starter Assy.-			3719.
		Used on Model Series			Rewind	620A	398638	Plate-Carburetor
		110707, 110708,			(12 o'clock)			Control
		110787 and 110788.			Used on Type No(s).			Used on Model Series
524	271485	Seal-Filler Tube			0186, 0189, 0200,			110707, 110708,
525	280504	Tube-Oil Filler			0213, 0219, 0222,			110787, and 110788.
		Used on Model Series			0233, 0244, 0249,			<b>Note</b>
		110702 and 110782.			3088, 3096, 3099,			492861 Plate-
		280508 Tube-Oil Filler			3107, 3117, 3170.			Carburetor Control
		Used on Model Series			399825 Starter Assy.-			Used on Type No(s).
		110707, 110708,			Rewind			0290, 3149, 3150,
		110787, and 110788.			(6 o'clock)			3158.
529	280524	Grommet Breather			Used on Type No(s).	621	396847	Switch-Stop
544	398636	Armature-Starter			0185, 0192, 0193,	625	397973	Tube-Fuel Intake
548	396067	Washer Set-Starter Motor			0199, 0202, 0208,	634		Washer-Throttle Shaft
					0232, 0254, 0258,	634A		Seal-Choke
					0273, 0302.	635	66538	Elbow-Spark Plug
575	396291	Switch-Ignition			490509 Starter Assy.-	655	222057	Anchor-Spring
587	220162	Clip-Shield Grounding			Rewind	670	280512	Spacer-Fuel Tank
592	93991	Nut-Hex.-10-24			(6 o'clock)	674	94117	Screw-Bracket Mtg.
601	93053	Clamp-Hose			Used on Type No(s).	676	393760	Deflector-Exhaust
608	490717	Starter Assy.-Rewind			0198.	676A	393756	Deflector-Exhaust
		399771 Starter			490787 Starter Assy.-	676B	396548	Deflector-Exhaust
		Assy.-Rewind			Rewind	676C	397931	Deflector-Exhaust
		490509 Starter			(12 o'clock)	677	93705	Screw-Muffler
		Assy.-Rewind			Used on Type No(s).			Deflector
		398378 Starter			3115, 3135, 3154,	720	93474	Pin-Gear to Shaft
		Assy.-Rewind			3200, 3207.	721	221779	Stop-Drive Shaft
		398180 Starter			491443 Starter Assy.-	725	223725	Shield-Heat
		Assy.-Rewind			Rewind	729	280470	Clip-Wire

# 110700 to 110799

REF. NO.	PART NO.	DESCRIPTION	REF. NO.	PART NO.	DESCRIPTION	REF. NO.	PART NO.	DESCRIPTION
741	261533	Gear—Timing			Oil			493249 Control Plate—
742	93525	Ring—Retaining			Used on Model Series			Band Brake
742A	93925	Ring—Retaining			110707, 110708,			Used on Model Series
764	398753	Starter Assembly— Vertical Pull			110787 and 110788.			110707 and 110787.
765	398683	Housing—Vertical Pull Starter	851	221798	Terminal—Ignition Cable	946	396526	Rope Guide Kit
766	280022	Pulley—Rope	869	211172	Seat—Intake Valve (Used After Code Date 88063000).	946A	223294	Stop—Rope
767	231048	Pin—Small Rope Pulley			————— <b>Note</b> —————	948	397803	Wire Assembly
768	299948	Pulley and Gear Assembly— Starter			210879 Seat—Intake Valve	949	280502	Cover—Static—Gard
769	66734	Rope—Vertical & Side Pull Starter			(Used Before Code Date 88070100).	949A	280509	Cover—Static—Gard
		280399 Rope— Vertical & Side Pull			————— <b>Note</b> —————			280510 Cover—Static Gard
		If Longer Rope Is Required Cut To Length.	870	211291	Seat—Exhaust Valve			Used on Model Series 110708 to 110788.
			871	262001	Guide—Exhaust Valve			280511 Cover—Static Gard
					————— <b>Note</b> —————			Used on Type No(s).
771	299961	Clip—Vertical Pull Starter			63709 Guide—Intake Valve			0186, 0189, 0200, 0213, 0219, 0222, 0233, 0244, 0249, 3088, 3096, 3099, 3107, 3115, 3117, 3127, 3135, 3141, 3154, 3170, 3200, 3207.
774	280121	Insert—Starter Handle	883	270774	Gasket—Exhaust			280571 Cover—Static Gard
775	280036	Grip—Starter Rope	906	261650	Spring—Torsion			Used on Type No(s).
776	222049	Guide—Rope	907	394871	Sleeve Assy.—Clutch			0185, 0192, 0193, 0199, 0202, 0208, 0232, 0240, 0254, 0258, 0273, 0302, 3064, 3069, 3089, 3093, 3113, 3114, 3122, 3131, 3137, 3142, 3149, 3150, 3158, 3175, 3176, 3195, 3218, 3781, 3782, 3788.
777	390066	Spring—Vertical Pull Starter	908	231220	Gear—Worm			
					————— <b>Note</b> —————			
778	280021	Cover—Vertical Pull Starter Pulley			231219 Gear—Worm Used on Type No(s).			
782	280038	Gear—Electric Starter Spur			0175, 0177, 0179, 3184, 3185.			
783	261606	Gear—Electric Starter Pinion	909	271417	Washer—Thrust			
784	223123	Cover—Electric Starter Clutch Gear	909A	271418	Washer—Thrust			
785	271457	Gasket—Electric Starter Clutch Gear Cover	909B	271312	Washer—Thrust			
789	397637	Wiring Harness Assy. Used on Model Series 110707 and 110787.	910	394051	Lever Assy.—Clutch			
			911	223009	Control Bracket— Clutch			
789A	397916	Harness—Wiring Used on Model Series 110707 and 110787.	914	93970	Screw—Bracket			
			916	280993	Rack—Gear (Used After Code Date 89033100).			
					————— <b>Note</b> —————	955	231373	Screw—Bowl Mtg.
801	398244	Motor Output End Cover and Mounting Bracket			280522 Rack—Gear (Used Before Code Date 89040100).	957	397974	Cap Assembly—Fuel
802	396061	Cap Assembly—End	922	261647	Spring—Band Brake	958	399517	Valve—Fuel Shut—Off
803	396059	Housing—Starter	923	394867	Brake Assembly—Band	962	231277	Bushing
832	399637	Guard—Muffler	933	223448	Pivot—Band Brake	966	399059	Base—Air Cleaner
842	270920	Seal—Filler Cap	933A	223278	Spacer			————— <b>Note</b> —————
847	398010	Filler Group—Oil Used on Model Series 110702, 110782 and 110792.	934	94037	Screw—Machine			492650 Base—Air Cleaner
		398031 Filler Group—	935	398758	Switch Group			Used on Type No(s).
			937	280366	Spline—Starter			0300, 0301, 0302.
			938	93941	Ring—Retainer	967	397795	Filter—Air
			942	493248	Control Plate— Band Brake	968	280501	Cover—Air Cleaner
					————— <b>Note</b> —————	969	94173	Screw—Cover Mtg.
						970	94118	Screw—Hex. Hd.
						971	94121	Screw—Air Cleaner

# 110700 to 110799

REF. NO.	PART NO.	DESCRIPTION	REF. NO.	PART NO.	DESCRIPTION	REF. NO.	PART NO.	DESCRIPTION
972	490622	Tank Assembly--Fuel (Black)	972A	490623	Tank Assembly--Fuel (Black)	975	398191	Bowl Assembly--Carburetor
	490808	Tank Assy.--Fuel (Grey)		492879	Tank Assy.--Fuel (Grey)	977	398183	Gasket Set--Carburetor
	490806	Tank Assy.--Fuel (Amer. Red (I/C®))		490805	Tank Assy.--Fuel (Amer. Red (I/C®))			----- Note -----
	490804	Tank Assy.--Fuel (Sun Yellow)		490622	Tank Assy.--Fuel (Light Fawn)	985	398525	Insulator Assembly
	491045	Tank Assy.--Fuel (Light Fawn)	973	94114	Screw--Hex. Hd.	988	223600	Bracket--Muffler Guard
						991	399039	Pre--Filter
						994	398067	Spark Arrester
						998	399634	Kit--Power Trac
						1011	280786	Tube --Vent
						1015	223649	Plate--Casing Clamp
						1016	490817	Spacer
						1019	491080	Label Kit