

**110900 to 110999**

# Illustrated Parts List

## Model Series

# 110900 to 110999

# Non-Compliance

### TYPE NUMBERS

1005 through 1008  
1015 through 1018  
1025 through 1030  
1035, 1041, 1044,  
1050, 1051,  
1060 through 1063  
1107 through 1141  
1166 through 1321  
5911 through 5913  
except 1170, 1180,  
1186, 1187, 1189.

### TO FIND

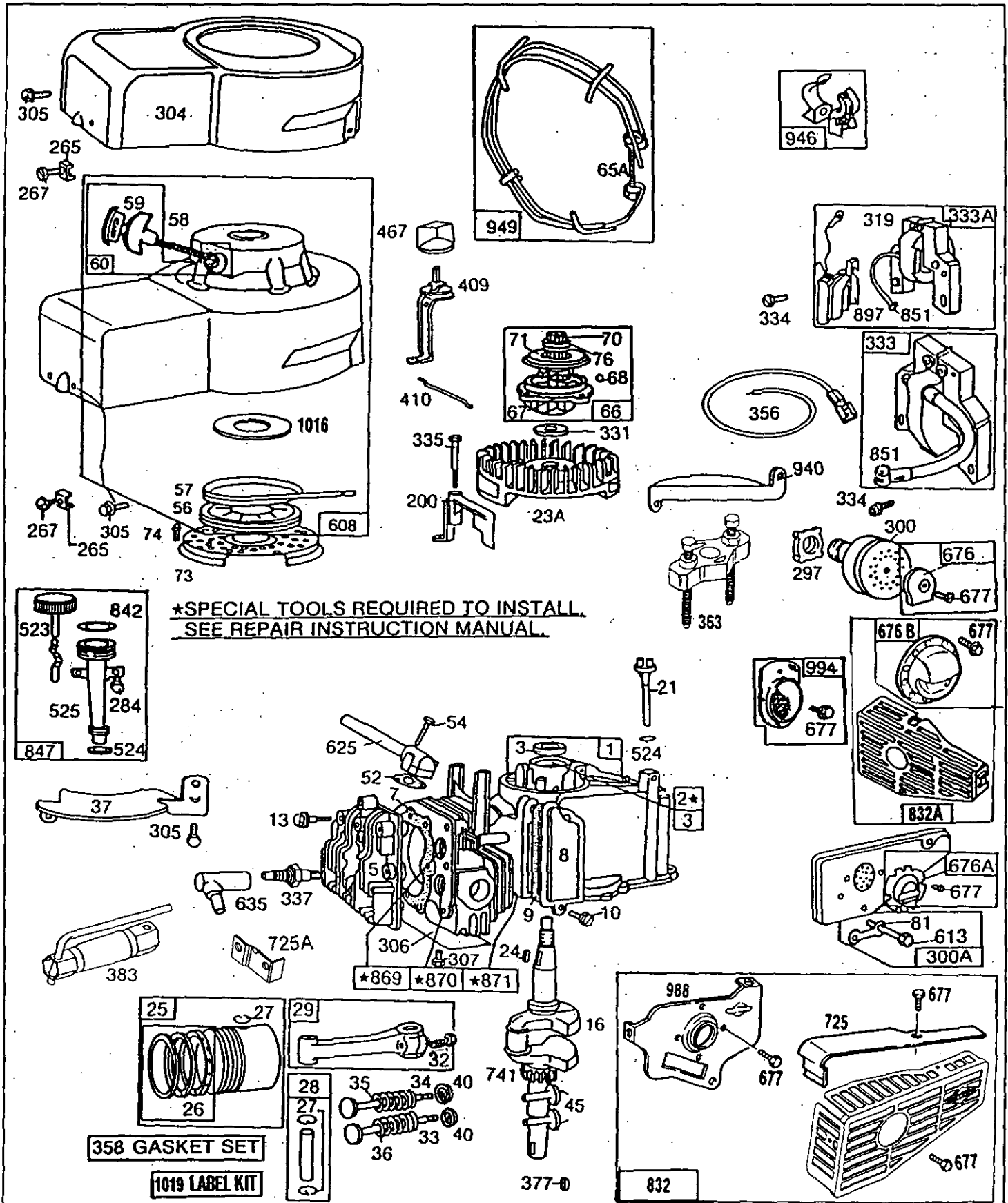
#### THE CORRECT NUMBER OF THE PART YOU NEED: FOLLOW THE INSTRUCTIONS BELOW

- A. Refer to Engine Model, Type and Code Number that is stamped on the blower housing of engine. Engine type numbers such as 012301 are listed herein only as 0123. The two digits (01 or 02, etc.) to the right of the space are not needed for parts identification. Then use the Illustrated Parts List covering the Model Series.
- B. Refer to Illustrated Parts section and compare the old part with illustration. The number on the illustration is the Reference Number. Assemblies include all parts shown in frames. All parts shown in assembly frames on which individual reference numbers are given can be purchased separately.
- C. After the Reference Number has been identified, refer to the Numerical Parts List, where Reference and Master Part Number are listed. **THE MASTER PART IS USED ON ALL TYPE NUMBERS EXCEPT THOSE TYPE NUMBERS UNDER "NOTE."**
- D. If a "Note" appears below the Master Part Number, this means that this part differs from the Master Part for certain types. If the Type number is listed under "Note," order the part referred to.
- E. If the Engine Type Number does not appear after any part number listed under "Note," use the Master Part Number.
- F. For Type Numbers higher than those covered by this book, please refer to the factory if you are unable to identify the part by comparison.

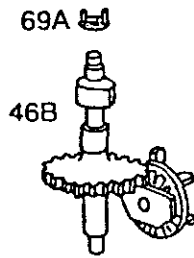
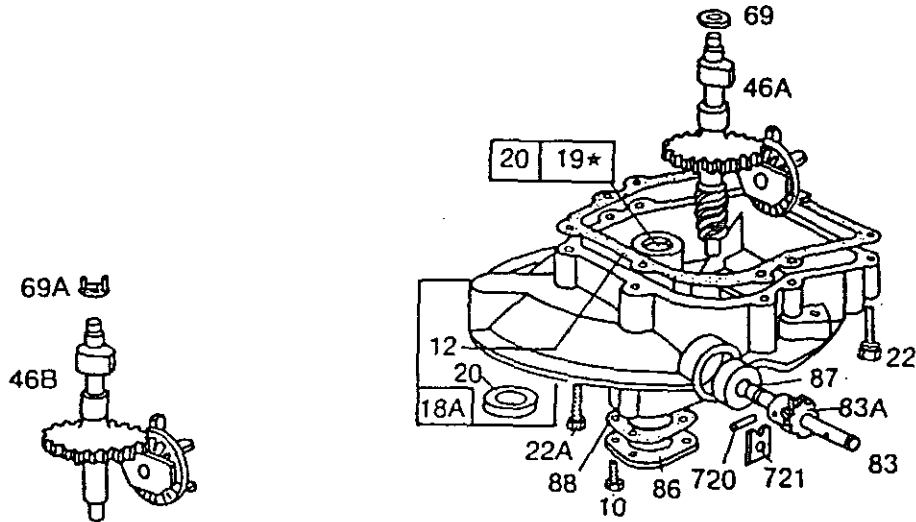
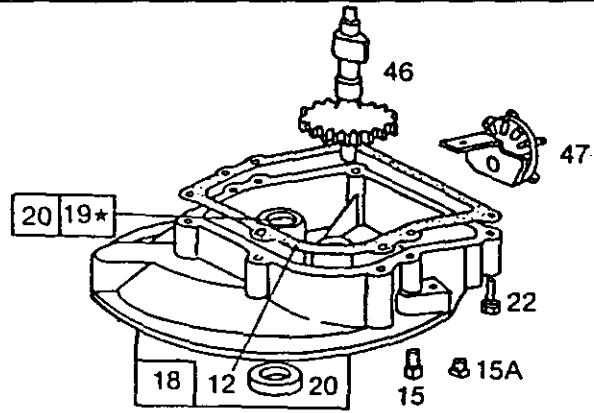


**BRIGGS & STRATTON**

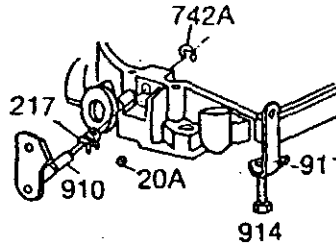
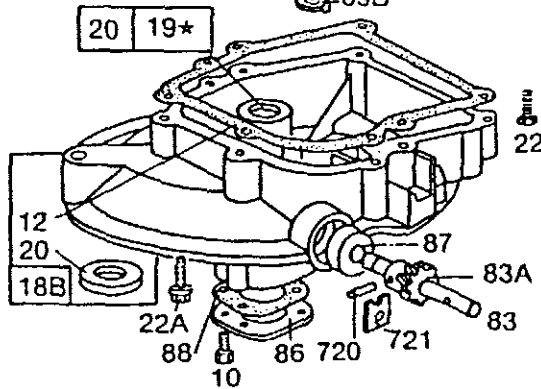
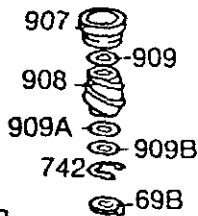
# 110900 to 110999



Sump assemblies illustrated on this page DO NOT include an oil filler opening.



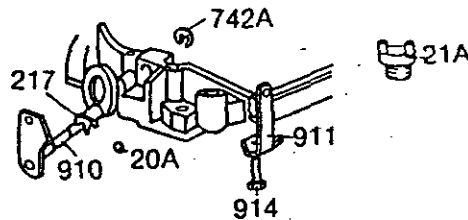
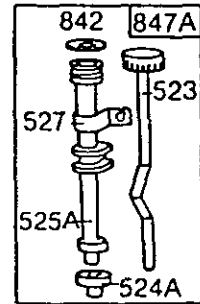
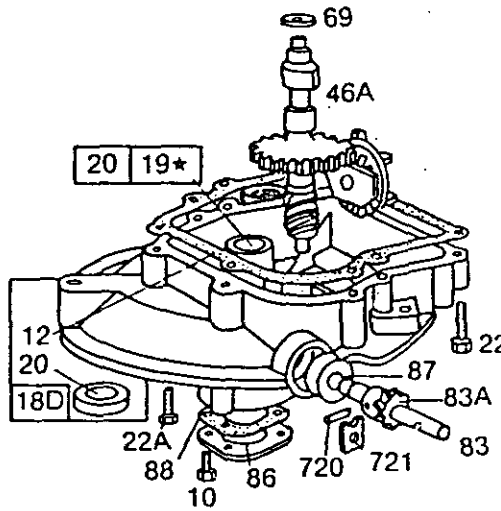
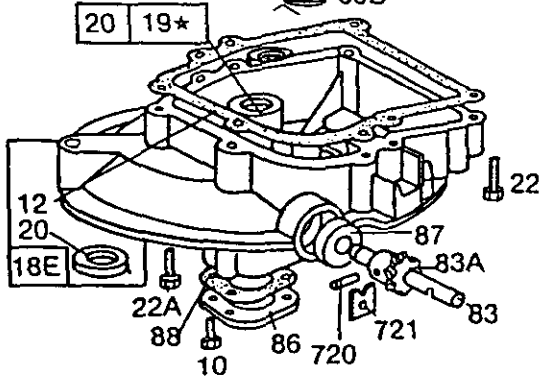
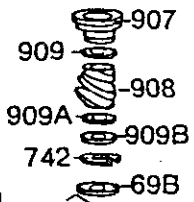
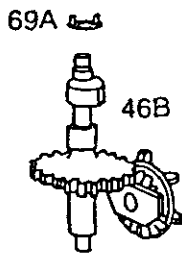
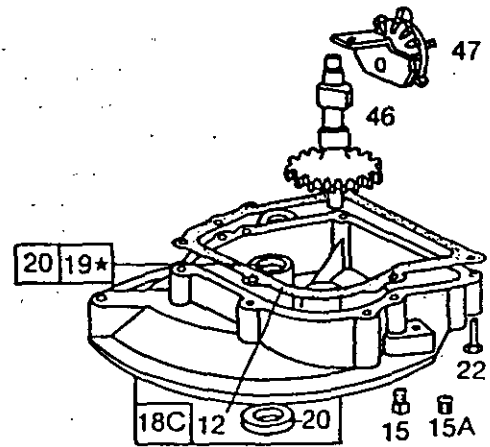
**998 POWER TRAC KIT**



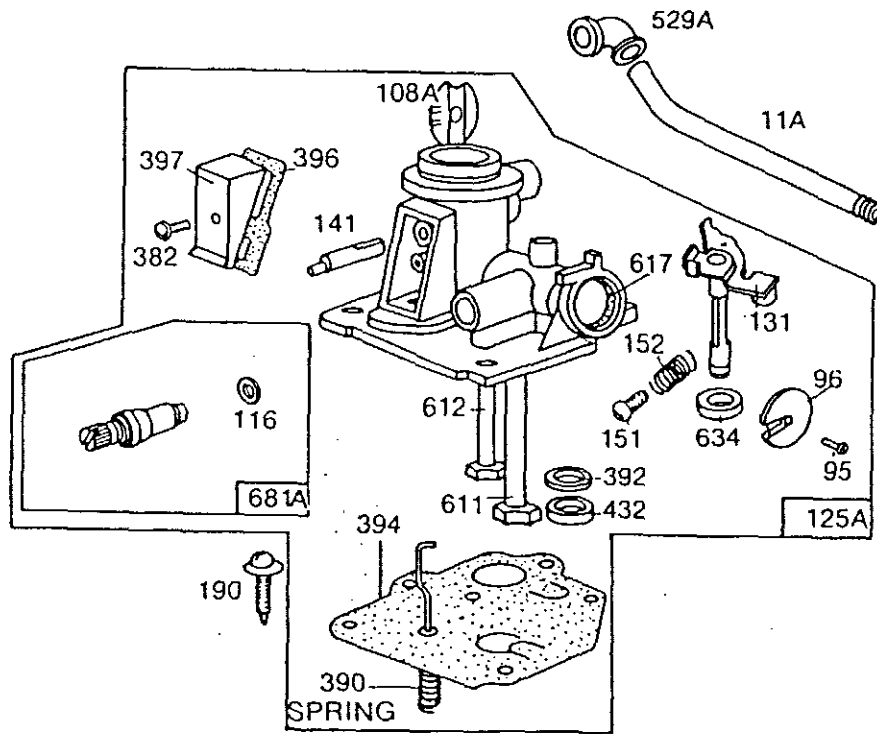
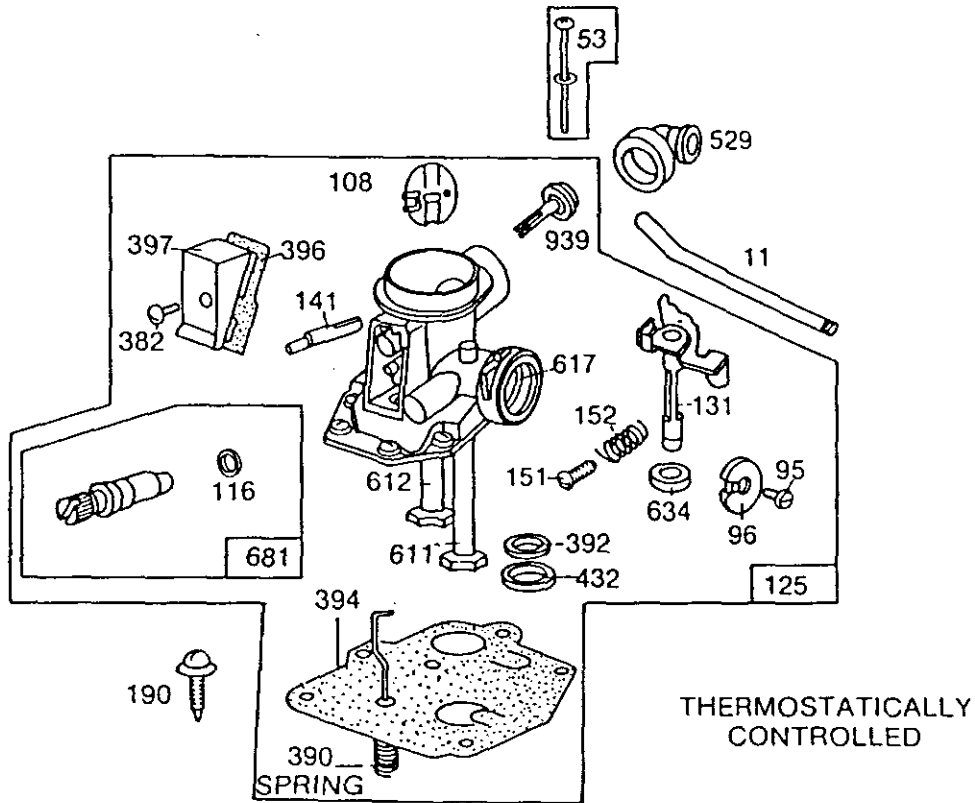
\*SPECIAL TOOLS REQUIRED TO INSTALL.  
SEE REPAIR INSTRUCTION MANUAL.

# 110900 to 110999

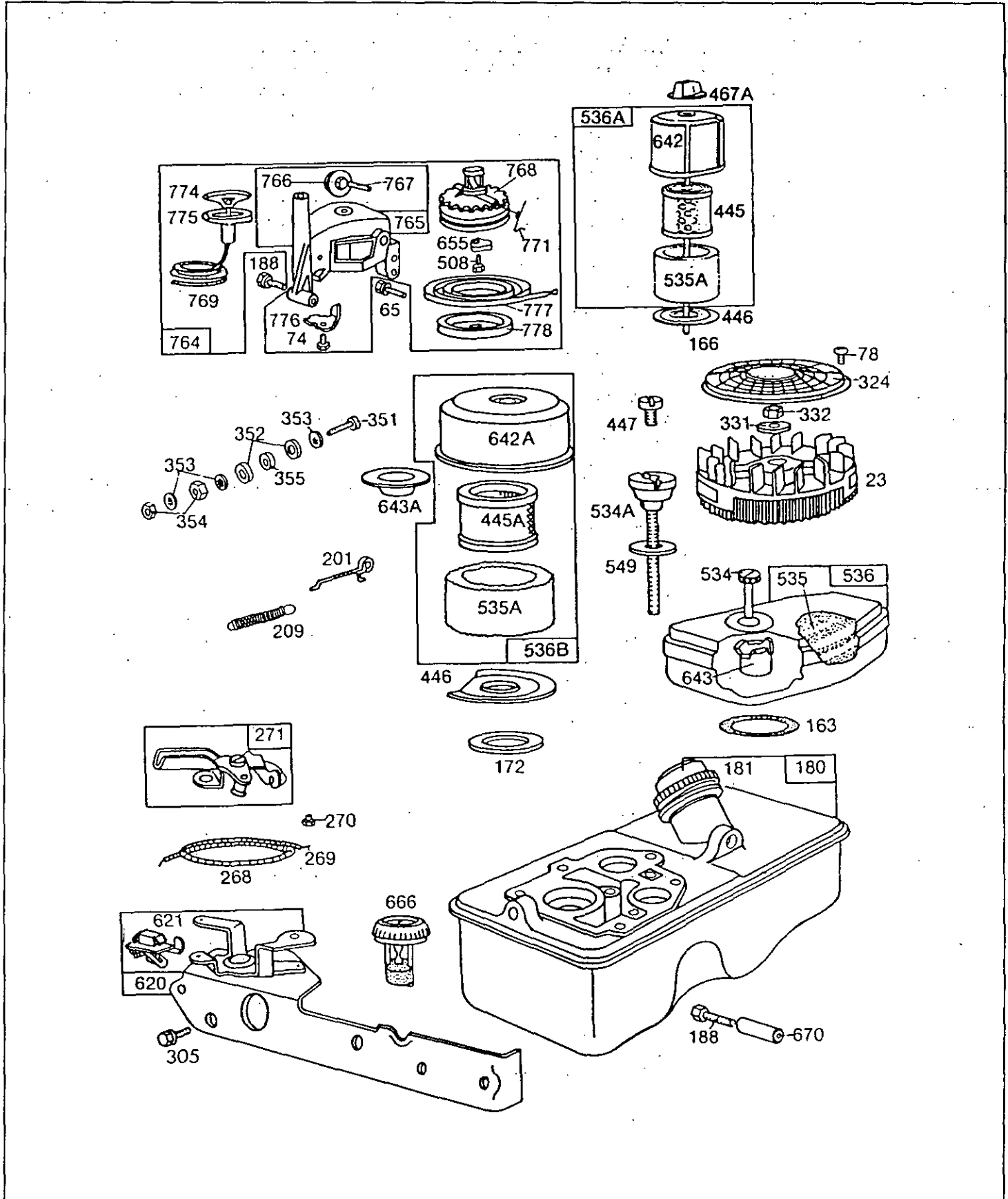
Sump assemblies illustrated on this page include an oil filler opening.



**\*SPECIAL TOOLS REQUIRED TO INSTALL.  
SEE REPAIR INSTRUCTION MANUAL.**



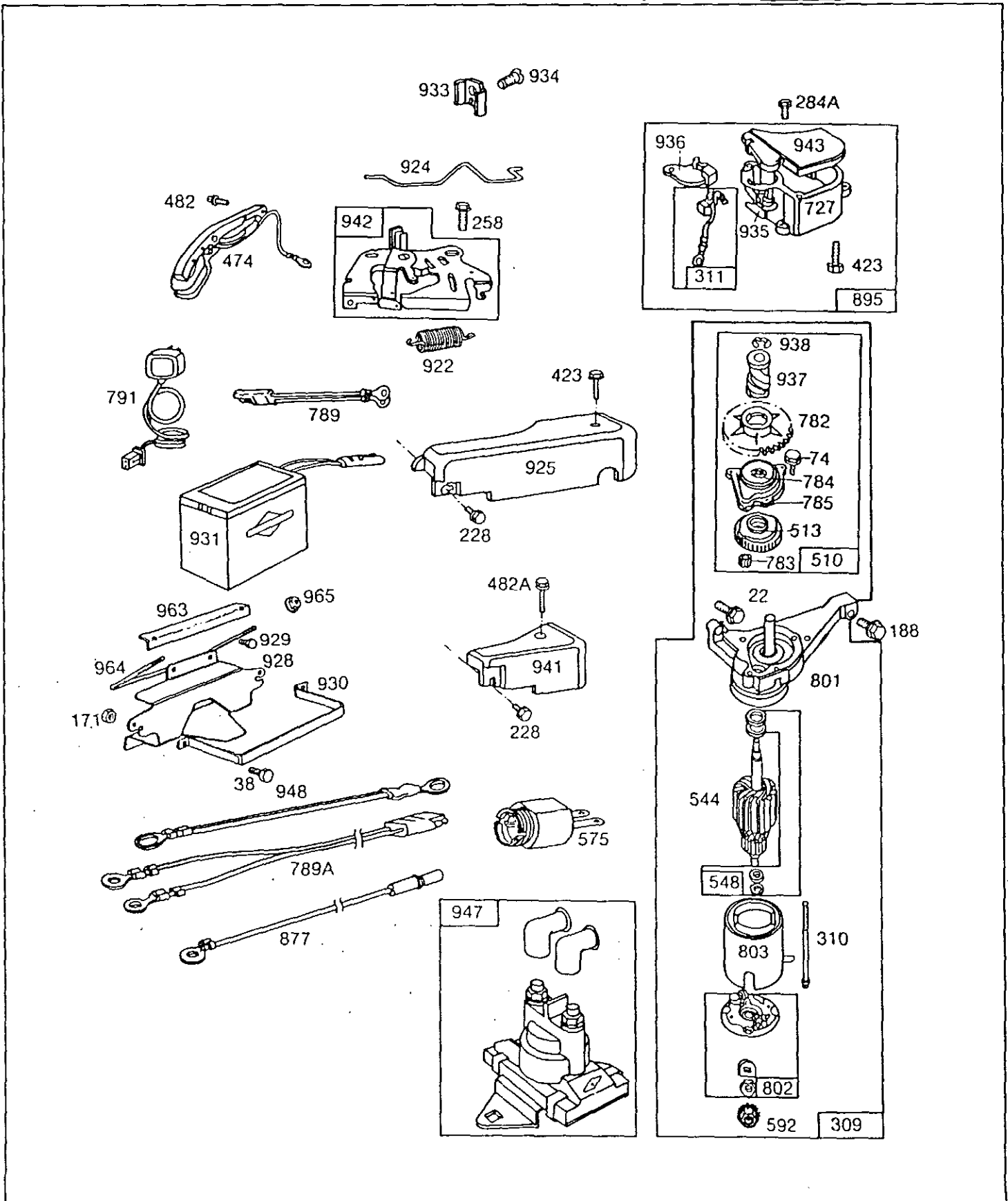
# 110900 to 110999



8052-6

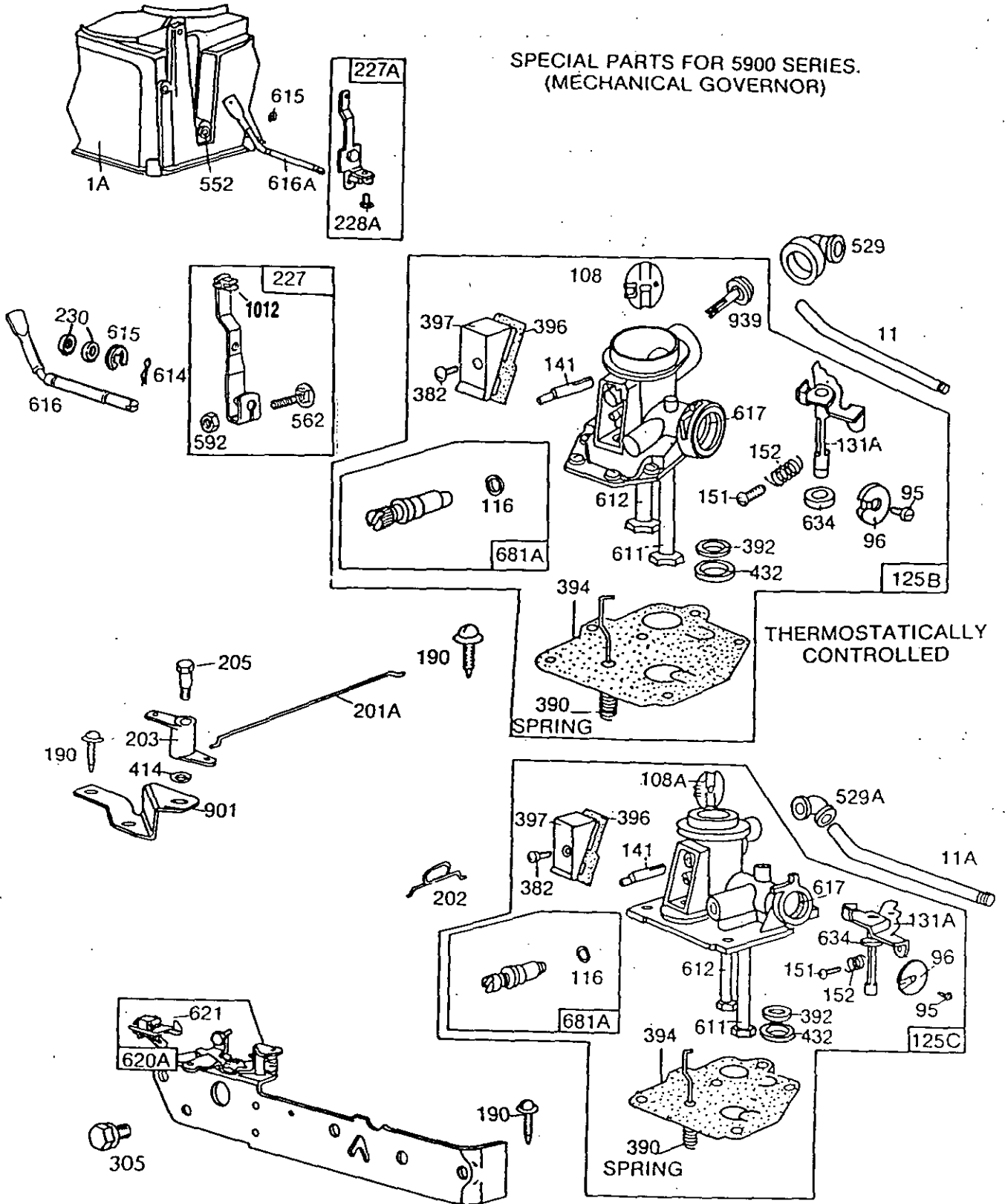
Assemblies include all parts shown in frames.

60



# 110900 to 110999

SPECIAL PARTS FOR 5900 SERIES.  
(MECHANICAL GOVERNOR)





# 110900 to 110999

REF. NO.	PART NO.	DESCRIPTION	REF. NO.	PART NO.	DESCRIPTION	REF. NO.	PART NO.	DESCRIPTION
1	399168	Cylinder Assembly <b>Note:</b> 396218 Cylinder Assy. Used on Type Nos. 1015, 1016, 1017, 1018, 1025, 1026, 1027, 1028, 1030, 1041, 1044, 1050, 1051, 1166.		262028	Crankshaft Used on Type Nos. 1288, 1303.			<b>Note:</b> 395385 Sump—Engine Used on Type No. 1261.
1A	399167	Cylinder Assembly (Mechanical Governor)		262032	Crankshaft Used on Type No. 1293.	18A	395390	Sump—Engine Used on Model 110985 to 110988 Series.
2	293708	Bushing—Cylinder <b>Note:</b> Requires special tools for installation.		394881	Crankshaft Used on Type Nos. 1008, 1018, 1120, 1229, 1250, 1259, 1260, 1276.	18B	395392	Sump—Engine (For Clutch) <b>The Following Engine Sumps Have an Oil Filler Boss.</b>
3	299819	Seal—Oil		397231	Crankshaft Used on Type Nos. 1006, 1016, 1118, 1169, 1190, 1194, 1195, 1203, 1209, 1211, 1213, 1220, 1222, 1223, 1224, 1226, 1261, 1265, 1266, 1278, 1280, 1286, 1287, 1289, 1297, 1298, 1300, 1308, 1320.	18C	394157	Sump—Engine <b>Note:</b> 394305 Sump—Engine Used on Type Nos. 1041, 1217, 5911.
5	213141	Head—Cylinder		490783	Crankshaft Used on Type Nos. 1017, 1027, 1113, 1119, 1168, 1207, 1236, 1306, 1313, 1316.	18D	391645	Sump—Engine Used on Model 110985 to 110988 Series.
7	* 270836	Gasket—Cylinder Hd.				18E	394746	Sump—Engine (For Clutch)
8	298383	Breather—Valve Chamber				19	293709	Bushing—Engine Sump <b>Note:</b> Requires Special Tools for Installation.
9	* 270239	Gasket—Valve Cover				20	391483	Seal—Oil
10	93394	Screw—Breather and P.T.O. Gear Sump Cover (Ref. No. 86) Mounting Sem				20A	280266	Seal—Oil
11	231292	Tube—Breather				21	280485	Gage—Oil Filler Plug (Used After Code Date 85073100). <b>Note:</b> 280381 Gage—Oil Filler Plug (Used Before Code Date 85080100).
11A	231043	Tube—Breather				21A	66768	Plug—Oil Filler Used on Sumps Which Have an Oil Filler Boss.
12	* 270833	Gasket—Crankcase— .015" thick (Standard)				22	93032	Screw—Sump Mtg. Sem
	* 270895	Gasket—Crankcase— .005" thick				22A	93415	Screw—Sem (One used in Auxiliary Drive Gear Sump) on Model 110985 to 110988 Series. <b>Note:</b> Use 93032 Screw in the other (5) Sump Mounting Holes Use (4) 93032 Screws with Ref. 914 Screw on Clutch Type.
	* 270896	Gasket—Crankcase— .009" thick				23	394849	Flywheel—Magneto
13	93111	Screw—Cylinder Hd. (1-15/16" long)						
15	91084	Plug—Oil Drain						
15A	93418	Plug—Oil Drain (Socket Head)						
16	492093	Crankshaft <b>Note:</b> To Replace Crankshaft Gear Pin, Order Part No. 230978 When Required. 261280 Crankshaft Used on Type No. 1285. 261353 Crankshaft Used on Type Nos. 1041, 1207, 1217, 5911. 261641 Crankshaft Used on Type No. 1204.						
			18	395384	Sump—Engine			

\* Included in Gasket Set—Part No. 391662

# 110900 to 110999

REF. NO.	PART NO.	DESCRIPTION	REF. NO.	PART NO.	DESCRIPTION	REF. NO.	PART NO.	DESCRIPTION
	<b>Note:</b>	<b>393831</b> Flywheel—Magneto Used on Type Nos. 1025, 1026, 1027, 1028, 1035, 1044, 1202, 1210, 1221, 1228, 1235, 1243, 1251, 1256, 1261, 1288, 1292, 1293, 1299, 1301, 1302, 1312, 1313, 1315.		<b>Note:</b>	<b>261913</b> Valve—Exhaust Used on Type Nos. 1241, 1242.	<b>47</b>	<b>294652</b>	Oil Slinger Gear and Bracket
		<b>394849</b> Flywheel—Magneto Used on Model 110907, 110987 Series and Type Nos. 1121, 1125, 1172, 1173	<b>34</b>	<b>261233</b>	Valve—Intake		<b>Note:</b>	<b>394044</b> Oil Slinger Assembly Used on Type Nos. 5911, 5913.
<b>23A</b>	<b>395653</b>	Flywheel—Magneto	<b>35</b>	<b>260552</b>	Spring—Intake Valve	<b>52</b>	<b>* 270844</b>	Gasket—Intake Elbow
<b>24</b>	<b>222698</b>	Key—Flywheel	<b>36</b>	<b>26478</b>	Spring—Exhaust Valve	<b>53</b>	<b>391982</b>	Screw—Tank to Carburetor
<b>25</b>	<b>391650</b>	Piston Assy.—Standard		<b>Note:</b>	<b>26826</b> Spring—Exhaust Valve Used on Type Nos. 1241, 1242.	<b>54</b>	<b>93485</b>	Screw—Intake Elbow Mounting
	<b>391651</b>	Piston Assy.—.010" O.S.	<b>37</b>	<b>223150</b>	Guard—Flywheel	<b>56</b>	<b>280439</b>	Pulley—Starter
	<b>391652</b>	Piston Assy.—.020" O.S.	<b>38</b>	<b>93777</b>	Screw—Battery Bracket	<b>57</b>	<b>490179</b>	Spring—Rewind Starter
	<b>391653</b>	Piston Assy.—.030" O.S.	<b>40</b>	<b>93312</b>	Retainer—Valve Spring Used with valves with groove in stem.	<b>58</b>	<b>66734</b>	Rope—Rewind Starter—48-5/8" long
<b>MODEL 110900 SERIES PISTON RING SETS:</b>				<b>Note:</b>	<b>292259</b> Rotocap—Exhaust Valve		<b>Note:</b>	If longer rope is needed, Order No. <b>395883</b> and cut to required length.
	<b>Note:</b>	For Chrome Piston Ring Set—Standard Size—Order Part No. <b>392330</b> .			<b>230126</b> Pin—Exhaust Valve Rotocap Retainer	<b>59</b>	<b>230228</b>	Pin—Starter Grip
<b>26</b>	<b>391654</b>	Ring Set—Std. Piston	<b>45</b>	<b>261250</b>	Tappet—Valve	<b>60</b>	<b>393152</b>	Grip—Starter Rope
	<b>391656</b>	Ring Set—.010" O.S. Piston	<b>46</b>	<b>395856</b>	Gear—Cam	<b>65</b>	<b>93587</b>	Screw—Vertical Pull Starter Mounting
	<b>391658</b>	Ring Set—.020" O.S. Piston	<b>46A</b>	<b>395904</b>	Cam Gear, Worm and Oil Slinger Assy.	<b>65A</b>	<b>94124</b>	Screw—Guard Retaining
	<b>391660</b>	Ring Set—.030" O.S. Piston		<b>Note:</b>	<b>395906</b> Cam Gear, Worm and Oil Slinger Assembly (Counterclockwise) Used on Type Nos. 1051, 1061, 1063, 1110, 1181, 1183, 1195, 1196, 1206, 1212, 1219, 1231, 1234, 1237, 1239, 1242, 1246, 1248, 1249, 1252, 1254, 1267, 1268, 1269, 1271, 1272, 1274, 1291, 1294, 1295, 1304, 1305, 1318, 1319, 1321.	<b>66</b>	<b>399671</b>	Clutch Assembly—Rewind Starter
<b>27</b>	<b>26026</b>	Lock—Piston Pin	<b>46B</b>	<b>396036</b>	Cam Gear and Oil Slinger Assembly (For Clutch)	<b>67</b>	<b>394897</b>	Housing—Starter Clutch
<b>28</b>	<b>391649</b>	Pin Assembly—Piston—Standard		<b>Note:</b>	<b>396378</b> Cam Gear and Oil Slinger Assembly Used on Type No. 5912.	<b>68</b>	<b>63770</b>	Ball—Clutch
	<b>394861</b>	Pin Assembly—Piston—.005" O.S.				<b>69</b>	<b>66874</b>	Washer—Thrust (11/16" O.D. x 15/32" I.D.)
<b>29</b>	<b>391640</b>	Rod Assembly—Connecting					<b>Note:</b>	<b>68938</b> Washer—Thrust (13/16" O.D. x 17/32" I.D.) Used on Auxiliary Drive P.T.O. Camshaft and is Located Next to the Worm Gear.
	<b>Note:</b>	For Connecting Rod with .020" undersize Crankpin Bearing—Order No. <b>393710</b> .				<b>69A</b>	<b>223011</b>	Washer—Clip
<b>31</b>	<b>222282</b>	Washer—Flat (One for Each Screw)				<b>69B</b>	<b>223228</b>	Washer—Thrust
<b>32</b>	<b>94405</b>	Screw—Connecting Rod				<b>70</b>	<b>299799</b>	Ratchet—Rewind Starter
<b>33</b>	<b>212004</b>	Valve—Exhaust				<b>71</b>	<b>394506</b>	Washer—Clutch Retainer (Rubber Coated)
							<b>Note:</b>	<b>221653</b> Washer—Clutch Retainer (Non-Coated)
						<b>73</b>	<b>221661</b>	Screen—Starter Pulley
						<b>74</b>	<b>† 93490</b>	Screw—Sem
						<b>76</b>	<b>68238</b>	Washer—Ratchet Sealing
						<b>78</b>	<b>93858</b>	Screw—Screen Mtg.
						<b>81</b>	<b>223256</b>	Lock—Muffler Screw
						<b>83</b>	<b>230831</b>	Shaft—Drive

\* Included in Gasket Set—Part No. 391662

† Included in Starter Drive Kit—Part No. 395727

# 110900 to 110999

REF. NO.	PART NO.	DESCRIPTION	REF. NO.	PART NO.	DESCRIPTION	REF. NO.	PART NO.	DESCRIPTION
	<b>Note:</b>	<b>230860</b> Shaft—Drive Used on Type No. 1262.			<b>280370</b> Valve—Choke (Used Before Code Date 83110704). on Type Nos. 1041, 1204, 1207, 1217, 1292, 1293.	<b>131A</b>	<b>394035</b>	Shaft and Lever—Throttle (Mechanical Governor)
		<b>230870</b> Shaft—Drive Used on Type Nos. 1030, 1218, 1233, 1247, 1273.	<b>108A</b>	<b>280178</b>	Valve—Choke	<b>141</b>	<b>68908</b>	Shaft—Choke
		<b>230948</b> Shaft—Drive Used on Type Nos. 1195, 1196, 1200, 1222, 1242, 1248, 1252, 1264, 1265, 1267, 1269, 1275, 1280, 1284, 1318, 1321, 5912.		<b>Note:</b>	<b>280429</b> Valve—Choke (Used After Code Date 83110604).	<b>151</b>	<b>93524</b>	Screw—Rd. Hd.—5-40 x 1/2
		<b>230952</b> Shaft—Drive Used on Type Nos. 1206, 1212, 1244, 1257, 1274, 1284, 1294, 1295, 1305, 1310.			<b>280178</b> Valve—Choke (Used Before Code Date 83110704). on Type Nos. 1168, 1194, 1210, 1227, 5911, 5913.	<b>152</b>	<b>260746</b>	Spring—Throttle Adj.
		<b>231213</b> Shaft—Drive Used on Type No. 1286.	<b>116</b>	<b>280203</b>	O-Ring	<b>163</b>	<b>271139</b>	Gasket—Air Cleaner Mounting
<b>83A</b>	<b>231278</b>	Gear—Drive	<b>125</b>	<b>395957</b>	Carburetor Assembly	<b>166</b>	<b>231332</b>	Stud—Air Cleaner
	<b>Note:</b>	<b>231279</b> Gear—Drive (Counterclockwise) Used on Type Nos. 1030, 1051, 1061, 1063, 1110, 1177, 1179, 1181, 1183, 1195, 1196, 1200, 1206, 1212, 1219, 1231, 1234, 1237, 1239, 1242, 1246, 1248, 1249, 1252, 1254, 1255, 1262, 1264, 1267, 1268, 1269, 1271, 1272, 1274, 1275, 1291, 1294, 1295, 1304, 1305, 1318, 1319, 5912.		<b>Note:</b>	<b>397178</b> Carburetor Assy. (Used After Code Date 83110604).	<b>171</b>	<b>93203</b>	Nut—5/16-18
					<b>395957</b> Carburetor Assy. (Used Before Code Date 83110704). Used on Type Nos. 1041, 1204, 1207, 1217, 1293.	<b>172</b>	<b>271077</b>	Gasket—Air Cleaner
			<b>125A</b>	<b>395957</b>	Carburetor Assembly	<b>180</b>	<b>396781</b>	Tank Assembly—Fuel
				<b>Note:</b>	<b>397178</b> Carburetor Assy. (Used After Code Date 83110604).	<b>181</b>	<b>391494</b>	Cap—Fuel Tank (Chrome)
					<b>395957</b> Carburetor Assy. (Used Before Code Date 83110704). Used on Type Nos. 1168, 1194, 1210, 1227, 1292.		<b>Note:</b>	<b>298425</b> Cap—Fuel Tank Used on Type No. 1229.
			<b>125B</b>	<b>396336</b>	Carburetor Assembly (Mechanical Governor)	<b>188</b>	<b>93585</b>	Screw—Fuel Tank and Starter Mounting
				<b>Note:</b>	<b>397180</b> Carburetor Assy. Used on Type Nos. 5911, 5913.	<b>190</b>	<b>93440</b>	Screw—Fuel Tank Mtg.
			<b>125C</b>	<b>396336</b>	Carburetor Assembly (Mechanical Governor)	<b>200</b>	<b>68388</b>	Blade—Governor
				<b>Note:</b>	<b>397180</b> Carburetor Assy. (Used After Code Date 83110604).	<b>201</b>	<b>261027</b>	Link—Governor
					<b>396336</b> Carburetor Assy. (Used Before Code Date 83110704). Used on Type No. 5911.		<b>Note:</b>	<b>260878</b> Link—Governor Used on Type Nos. 1025, 1026, 1027, 1028, 1035, 1044, 1202, 1210, 1221, 1228, 1235, 1243, 1251, 1256, 1261, 1288, 1292, 1293, 1299, 1301, 1302, 1312, 1313, 1315.
<b>86</b>	<b>221780</b>	Cover—Sump			<b>396336</b> Carburetor Assy. (Used Before Code Date 83110704).	<b>201A</b>	<b>261918</b>	Link—Governor (Mechanical Governor)
<b>87</b>	<b>391484</b>	Seal—Oil			<b>397180</b> Carburetor Assy. Used on Type No. 5911.	<b>202</b>	<b>261897</b>	Link—Throttle (Mechanical Governor)
<b>88</b>	<b>270328</b>	Gasket—Sump Cover			<b>299977</b> Shaft and Lever—Throttle	<b>203</b>	<b>280272</b>	Bell Crank (Mechanical Governor)
<b>95</b>	<b>93499</b>	Screw—Throttle Valve Mounting Sem				<b>205</b>	<b>231520</b>	Screw—Shoulder (Mechanical Governor) (Used After Code Date 86112300).
<b>96</b>	<b>211237</b>	Valve—Throttle					<b>Note:</b>	<b>93838</b> Screw—Shoulder (Used Before Code Date 86112400).
<b>108</b>	<b>280370</b>	Valve—Choke				<b>209</b>	<b>260875</b>	Spring—Governor
	<b>Note:</b>	<b>280429</b> Valve—Choke (Used After Code Date 83110604).					<b>Note:</b>	<b>260876</b> Spring—Governor Used on Type Nos. 1028, 1300.

# 110900 to 110999

REF. NO.	PART NO.	DESCRIPTION	REF. NO.	PART NO.	DESCRIPTION	REF. NO.	PART NO.	DESCRIPTION
	<b>260877</b>	Spring—Governor Used on Type Nos. 1025, 1044, 1050, 1051, 1060, 1061, 1062, 1063, 1117, 1210, 1212, 1221, 1229, 1234, 1238, 1240, 1244, 1245, 1253, 1259, 1262, 1267, 1269, 1294, 1295, 1305, 1312, 1315, 1320.		<b>261106</b>	Spring—Governor Used on Type Nos. 1030, 1204, 1216, 1235, 1321.	<b>269</b>	<b>26099</b>	Wire Control, 54" long <b>Note:</b> If longer wire is needed, specify length in inches; if shorter wire is needed, order No. <b>26099</b> and cut to required length.
	<b>261034</b>	Spring—Governor Used on Type Nos. 1176, 1183, 1199, 1200, 1205, 1248, 1252, 1290, 1318, 1319.		<b>261312</b>	Spring—Governor Used on Type No. 1207.	<b>270</b>	<b>63426</b>	Locknut—Control Wire Casing
	<b>261060</b>	Spring—Governor Used on Type Nos. 1026, 1027, 1222, 1223, 1231, 1260, 1261, 1263, 1280, 1281, 1282, 1285, 1288, 1303, 1306, 1316, 1317.		<b>261320</b>	Spring—Governor Used on Type Nos. 1026, 1027, 1166, 1169, 1211, 1241, 1242, 1250, 1258, 1274, 1283, 1289, 1291, 1293, 1310, 1311, 1313, 1317.	<b>271</b>	<b>290568</b>	Lever Assembly Control
	<b>261061</b>	Spring—Governor Used on Type Nos. 1206, 1218, 1224, 1230, 1247, 1257, 1264, 1273, 1275, 1284, 1314.	<b>217</b>	<b>261520</b>	Spring—Return (Clutch Lever)	<b>284</b>	<b>94073</b>	Screw—Clamp Mounting
	<b>261105</b>	Spring—Governor Used on Type Nos. 1005, 1006, 1008, 1015, 1016, 1017, 1018, 1050, 1051, 1060, 1061, 1062, 1063, 1181, 1182, 1184, 1185, 1191, 1192, 1195, 1196, 1197, 1209, 1215, 1217, 1225, 1226, 1239, 1251, 1265, 1266, 1268, 1270, 1279, 1286, 1287, 1302, 1304.	<b>227</b>	<b>491482</b>	Lever Assy.—Governor	<b>284A</b>	<b>93892</b>	Screw—Cover to Starter Motor
			<b>227A</b>	<b>396504</b>	Lever Assy.—Governor (Mechanical Governor)	<b>297</b>	<b>91811</b>	Locknut—Exhaust
			<b>228</b>	<b>93490</b>	Screw—Hex. Head	<b>300</b>	<b>394569</b>	Muffler—Exhaust
			<b>228A</b>	<b>93758</b>	Screw—Hex. Hd. (Mechanical Governor)	<b>300A</b>	<b>394644</b>	Muffler—Exhaust <b>Note:</b> <b>395600</b> Muffler—Exhaust (Gasket Included) Used on Type Nos. 1211, 1225.
			<b>258</b>	<b>94018</b>	Screw—Hex. Head	<b>304</b>	<b>396262</b>	Housing—Blower <b>Note:</b> <b>223166</b> Housing—Blower Used on Type No. 5911. <b>391636</b> Housing—Blower Used on Type Nos. 1015, 1016, 1017, 1018, 1030, 1041, 1050, 1051, 1166. <b>396335</b> Housing—Blower Used on Type Nos. 1109, 1123, 1226, 1276.
			<b>265</b>	<b>22372</b>	Clamp—Casing	<b>305</b>	<b>94153</b>	Screw—Sern
			<b>267</b>	<b>93469</b>	Screw—Clamp Mtg.	<b>306</b>	<b>222394</b>	Shield—Cylinder
			<b>268</b>	<b>66986</b>	Casing—Control Wire—48" long <b>Note:</b> If longer casing is needed, specify length in inches; if a shorter casing is needed, order No. <b>66986</b> and cut to required length.	<b>307</b>	<b>93758</b>	Screw—Self Tapping
						<b>309</b>	<b>396439</b>	Motor—Starter
						<b>310</b>	<b>94051</b>	Bolt—Starter Motor
						<b>311</b>	<b>395728</b>	Brush Kit—Starter Motor
						<b>319</b>	<b>298502</b>	Armature Assy. (Less Trigger Coil)
						<b>324</b>	<b>280140</b>	Screen—Rotating
						<b>331</b>	<b>220865</b>	Washer—Flywheel
						<b>332</b>	<b>92284</b>	Nut—Flywheel
						<b>333</b>	<b>398593</b>	Armature—Magneto
						<b>333A</b>	<b>398593</b>	Armature—Magneto
						<b>334</b>	<b>93381</b>	Screw—Armature Mounting Sem

# 110900 to 110999

REF. NO.	PART NO.	DESCRIPTION	REF. NO.	PART NO.	DESCRIPTION	REF. NO.	PART NO.	DESCRIPTION
335	93435	Screw—Armature and Governor Blade <b>Note:</b> 93381 Screw—Armature Mounting Sem Used on Type Nos. 5911, 5912, 5913.	414	223932	Washer (Mechanical Governor) (Used After Code Date 86112300). <b>Note:</b> 220982 Washer (Used Before Code Date 86112400).	562	92613	Bolt, Carriage
337	298809	Plug—Spark (with Gasket) 1-1/2" High, (37-42 mm.) <b>Note:</b> 293918 Plug—Spark (with Gasket) 1-1/2" High (Resistor Type) 492167 Plug—Spark 1-7/8" High, (47—mm) 802592 Plug—Spark 1-7/8" High, 47—mm (Resistor Type)	423	94026	Screw—Hex. Head	575	396291	Switch—Ignition
351	93735	Screw—Terminal	432	221377	Cap—Spring	592	231082	Nut, Hex.
352	66068	Washer—Insulating	445	396424	Cartridge—Air Cleaner	592A	93991	Nut—Hex.—10-24
353	92791	Washer—Lock—Shakeproof	445A	392308	Cartridge—Air Cleaner	608	396532	Starter Assy.—Rewind (12 o'clock) <b>Note:</b> 392787 Starter Assy.—Rewind (3 o'clock) Used on Type Nos. 1027.
354	90576	Nut—Hex.—8-32	446	222844	Base—Air Cleaner			396535 Starter Assy.—Rewind (3 o'clock) Used on Type Nos. 1202, 1227, 1299, 1307, 1314.
355	66554	Collar—Insulating	447	93913	Screw—Cover Mtg.			396801 Starter Assy.—Rewind (3 o'clock) Used on Type Nos. 1253, 1260, 1263, 1282.
356	398808	Wire—Ground <b>Note:</b> 396585 Wire—Ground (Dual Wire) Used on Type Nos. 1005, 1006, 1008, 1015, 1016, 1017, 1018, 1030, 1050, 1051, 1060, 1061, 1062, 1063, 1228, 1239, 1240.	467	299858	Knob—Dial Control			396468 Starter Assy.—Rewind (3 o'clock) Used on Type No. 5912.
358	391662	Gasket Set	467A	212706	Knob—Air Cleaner			392333 Starter Assy.—Rewind (4 o'clock) Used on Type No. 1044.
363	19069	Puller—Flywheel (Optional Accessory)	474	397880	Stator Assembly—Alternator			490719 Starter Assy.—Rewind (4 o'clock) Used on Type Nos. 1210, 1312.
377	93065	Key—Woodruff No. 6	482	94016	Screw—Alternator Mounting			490720 Starter Assy.—Rewind (6 o'clock) Used on Type Nos. 1293, 1301.
382	93545	Screw—Choke Link Cover	482A	93621	Screw—Sem			397340 Starter Assy.—Rewind (9 o'clock) Used on Type No. 1279.
383	89838	Wrench—Spark Plug	508	93158	Screw—Sem			398103 Starter Assy.—Rewind (9 o'clock) Used on Type No. 5913.
390	261249	Spring—Diaphragm	510	395727	Drive Kit—Starter			398694 Starter Assy.—Rewind (9 o'clock) Used on Type Nos. 1288, 1292, 1306.
392	260455	Spring—Fuel Pump Diaphragm	513	394815	Clutch Assembly			392793 Starter Assy.—Rewind (12 o'clock) Used on Type Nos. 1025, 1026, 1028.
394	391681	Diaphragm Carburetor	523	396372	Cap with Dipstick—Oil Filler			
396	270571	Gasket—Choke Link Cover	524	271485	Seal—Filler Tube			
397	211678	Cover—Choke Link	524A	68838	Seal—Filler Tube			
409	391590	Control—Dial	525	280578	Tube—Oil Filler (Used After Code Date 85073100). <b>Note:</b> 280382 Tube—Oil Filler (Used Before Code Date 85080100).			
410	260993	Link—Control	525A	280131	Tube—Oil Filler			
			527	222549	Clamp—Oil Filler Tube			
			529	280368	Grommet—Breather			
			529A	67838	Grommet—Breather			
			534	93374	Screw—Air Cleaner			
			534A	94005	Screw—Air Cleaner (Internal)			
			535	270848	Element—Air Cleaner			
			535A	271466	Element—Air Cleaner			
			536	391641	Cleaner Assy.—Air			
			536A	396397	Cleaner Assy.—Air			
			536B	392368	Cleaner Assy.—Air			
			544	396058	Armature—Starter			
			548	396067	Washer Set—Starter Motor			
			549	270978	Washer (Below Internal Screw Head)			
			552	230732	Bushing—Governor Shaft (Mechanical Governor)			

# 110900 to 110999

REF. NO.	PART NO.	DESCRIPTION	REF. NO.	PART NO.	DESCRIPTION	REF. NO.	PART NO.	DESCRIPTION
		<b>396446</b> Starter Assy.— Rewind (12 o'clock) Used on Type No. 1232, 1290.	<b>676</b>	<b>393760</b>	Deflector—Muffler	<b>774</b>	<b>280121</b>	Insert—Starter Handle
		<b>396540</b> Starter Assy.— Rewind (12 o'clock) Used on Type Nos. 1295, 1296, 1303.	<b>676A</b>	<b>393756</b>	Deflector—Muffler	<b>775</b>	<b>280036</b>	Grip—Starter Rope
<b>611</b>	<b>297219</b>	Pipe—Fuel (long)	<b>676B</b>	<b>396548</b>	Deflector—Muffler	<b>776</b>	<b>222049</b>	Guide—Rope
<b>612</b>	<b>296811</b>	Pipe—Fuel (short)	<b>677</b>	<b>93705</b>	Screw—Muffler Deflector	<b>777</b>	<b>390066</b>	Spring—Vertical Pull Starter
<b>613</b>	<b>93935</b>	Screw—Muffler Mtg.	<b>681</b>	<b>395508</b>	Needle Valve Kit	<b>778</b>	<b>280021</b>	Cover—Vertical Pull Starter Pulley
<b>614</b>	<b>93306</b>	Pin—Cotter	<b>681A</b>	<b>393451</b>	Needle Valve Kit	<b>782</b>	† <b>280038</b>	Gear—Electric Starter Spur
<b>615</b>	<b>93307</b>	Retainer—E-Ring (Mechanical Governor)	<b>720</b>	<b>93474</b>	Pin—Gear to Shaft	<b>783</b>	† <b>261606</b>	Gear—Electric Starter Pinion
<b>616</b>	<b>491405</b>	Crank—Governor	<b>721</b>	<b>221779</b>	Stop—Drive Shaft	<b>784</b>	† <b>223123</b>	Cover—Electric Starter Clutch Gear
<b>616A</b>	<b>394075</b>	Crank—Governor (Mechanical Governor)	<b>725</b>	<b>223725</b>	Guard—Heat Deflector	<b>785</b>	<b>271457</b>	Gasket—Electric Starter Clutch Gear Cover
<b>617</b>	<b>270344</b>	Seal—Fuel Intake Tube	<b>725A</b>	<b>224451</b>	Shield—Heat	<b>789</b>	<b>395624</b>	Harness Assembly— Wiring
<b>620</b>	<b>391442</b>	Plate—Carburetor Control	<b>727</b>	<b>280336</b>	Base—Electric Starter Cover		<b>Note:</b>	<b>395602</b> Harness Assy.— Wiring 14" long (For Remote Mount Battery)
	<b>Note:</b>	<b>391503</b> Plate— Carburetor Control (Manual Friction) Used on Type Nos. 1005, 1006, 1008, 1015, 1016, 1017, 1018, 1025, 1026, 1027, 1028, 1035, 1044, 1050, 1051, 1060, 1061, 1062, 1063, 1211, 1221, 1228, 1250, 1291, 1313, 1314.	<b>741</b>	<b>261533</b>	Gear—Timing (for 2 Piece Crankshaft)	<b>789A</b>	<b>396393</b>	Harness Assembly— Wiring (For Use with Solenoid)
<b>620A</b>	<b>394642</b>	Plate—Carburetor Control (Mechanical Governor)	<b>742</b>	<b>93525</b>	Ring—Retaining		<b>Note:</b>	<b>396392</b> Harness Assembly—Wiring (For Use with Solenoid and Remote Mount Battery)
<b>621</b>	<b>396847</b>	Switch—Stop (Used After Code Date 85032700).	<b>742A</b>	<b>93925</b>	Ring—Retaining (Clutch Lever)		<b>Note:</b>	<b>396392</b> Harness Assembly—Wiring (For Use with Solenoid and Remote Mount Battery)
	<b>Note:</b>	<b>297472</b> Switch—Stop (Used Before Code Date 85032800).	<b>764</b>	<b>396082</b>	Starter Assembly— Vertical Pull (48-5/8" Rope)		<b>Note:</b>	<b>396392</b> Harness Assembly—Wiring (For Use with Solenoid and Remote Mount Battery)
<b>625</b>	<b>391377</b>	Tube—Fuel Intake		<b>Note:</b>	<b>392064</b> Starter Assy.— Vertical Pull Used on Type No. 1041.	<b>791</b>	<b>395569</b>	Charger—Battery (120 Volt)
<b>634</b>	<b>270167</b>	Washer—Throttle Shaft (Felt)	<b>765</b>	<b>395914</b>	Housing—Vertical Pull Starter		<b>Note:</b>	<b>395585</b> Charger— Battery (240 Volt) <b>493357</b> Adapter— Charger For Use With <b>493359</b> Battery.
<b>635</b>	<b>66538</b>	Elbow—Spark Plug	<b>766</b>	<b>280022</b>	Pulley—Rope (Small)	<b>801</b>	<b>395851</b>	Bracket Group— Drive End
<b>642</b>	<b>223306</b>	Cover—Air Cleaner	<b>767</b>	<b>231048</b>	Pin—Small Rope Pulley	<b>802</b>	<b>396061</b>	Cap Assembly—End
<b>642A</b>	<b>222626</b>	Cover—Air Cleaner	<b>768</b>	<b>299948</b>	Pulley and Gear Assy.— Starter (48-5/8" Rope)	<b>803</b>	<b>396051</b>	Housing—Starter
<b>643</b>	<b>280374</b>	Cup—Air Cleaner		<b>Note:</b>	<b>392063</b> Pulley and Gear Assembly—Starter Used on Type No. 1041.	<b>832</b>	<b>399637</b>	Guard—Muffler
<b>643A</b>	<b>222594</b>	Cup—Air Cleaner	<b>769</b>	<b>66734</b>	Rope—Vertical Pull Starter (48-5/8")	<b>832A</b>	<b>396313</b>	Guard—Muffler
<b>655</b>	<b>222057</b>	Anchor—Spring		<b>Note:</b>	If longer rope is needed, Order No. <b>280399</b> and cut to required length.	<b>842</b>	<b>270920</b>	Seal—Filler Cap
<b>666</b>	<b>299992</b>	Gauge—Fuel Level			<b>395870</b> Pulley and Gear Assembly—Starter Used on Type No. 1109.	<b>847</b>	<b>399030</b>	Filler Group—Oil (Used After Code Date 85073100).
<b>670</b>	<b>94047</b>	Spacer—Fuel Tank	<b>771</b>	<b>299961</b>	Clip—Vertical Pull		<b>Note:</b>	<b>395869</b> Filler Group—Oil (Used Before Code Date 85080100).
						<b>847A</b>	<b>392056</b>	Filler Group—Oil
						<b>851</b>	<b>221798</b>	Terminal—Ignition Cable

† Included in Starter Drive Kit—Part No.  
395727

# 110900 to 110999

REF. NO.	PART NO.	DESCRIPTION	REF. NO.	PART NO.	DESCRIPTION	REF. NO.	PART NO.	DESCRIPTION
869	211172	Seat—Intake Valve (Standard) (Used After Code Date 88063000).	939	395665	Shaft Assembly—Choke			
	<b>Note:</b>	210879 Seat—Intake Valve (Used Before Code Date 88070100).	940	222403	Guard—Flywheel			
870	211291	Seat—Exhaust Valve (Standard)		<b>Note:</b>	222590 Guard—Flywheel Used on Type Nos. 1025, 1026, 1027, 1028, 1035, 1044.			
871	231349	Guide—Exhaust Valve	942	493239	Control Plate—Starter			
	<b>Note:</b>	63709 Guide—Intake Valve See Repair Manual		<b>Note:</b>	224331 Control Plate—Starter Used with Solenoid			
877	396485	Wire Assembly (Alternator to Solenoid)	943	280322	Top—Electric Starter Cover			
895	394767	Base and Cover Assy.—Starter	946	396526	Rope Guide Kit			
897	394970	Trigger Coil Assy.	947	396483	Solenoid			
901	490818	Bracket—Bell Crank (Mechanical Governor)	948	396261	Wire Assembly (8" long)			
906	261650	Spring—Torsion		<b>Note:</b>	396553 Wire Assembly (14" long)			
907	394871	Sleeve Assy.—Clutch	949	396579	Guard—Rewind Starter			
908	231220	Gear—Worm	988	223600	Bracket—Muffler Guard			
	<b>Note:</b>	231219 Gear—Worm (Counterclockwise) Used on Type Nos. 1030, 1177, 1179, 1255, 1262, 1264, 1275, 5912.	994	398067	Spark Arrester Group			
909	271417	Washer—Thrust	998	399634	Power Trac Kit			
909A	271418	Washer—Thrust	1012	280414	Retainer—Link			
909B	271312	Washer—Thrust	1016	490817	Spacer			
910	394051	Lever Assy.—Clutch	1019	491082	Label Kit			
911	223009	Control Bracket—Clutch						
914	93970	Screw—Bracket Mounting						
922	261647	Spring—Band Brake						
924	261881	Link—Starter Switch						
925	280363	Cover—Linkage						
928	223162	Bracket—Battery						
929	93980	Screw—Sem						
930	223161	Bracket Support—Battery						
931	395559	Battery—6 Volt						
933	223278	Spacer						
934	94037	Screw—Spacer						
935	223128	Terminal—Switch						
936	280338	Actuator—Switch						
937	† 280366	Spline—Starter						
938	† 93941	Ring—Retaining						

† Included in Starter Drive Kit—Part No. 395727