

Illustrated Parts List

Model Series

110900 to 110999

Compliance

TYPE NUMBERS
1170, 1180, 1186,
1187, 1189,
3015 through 3018
3050 through 3053
3081, 3125
3168 through 3245
3248 through 3260
3911 through 3914
and 3975

TO FIND

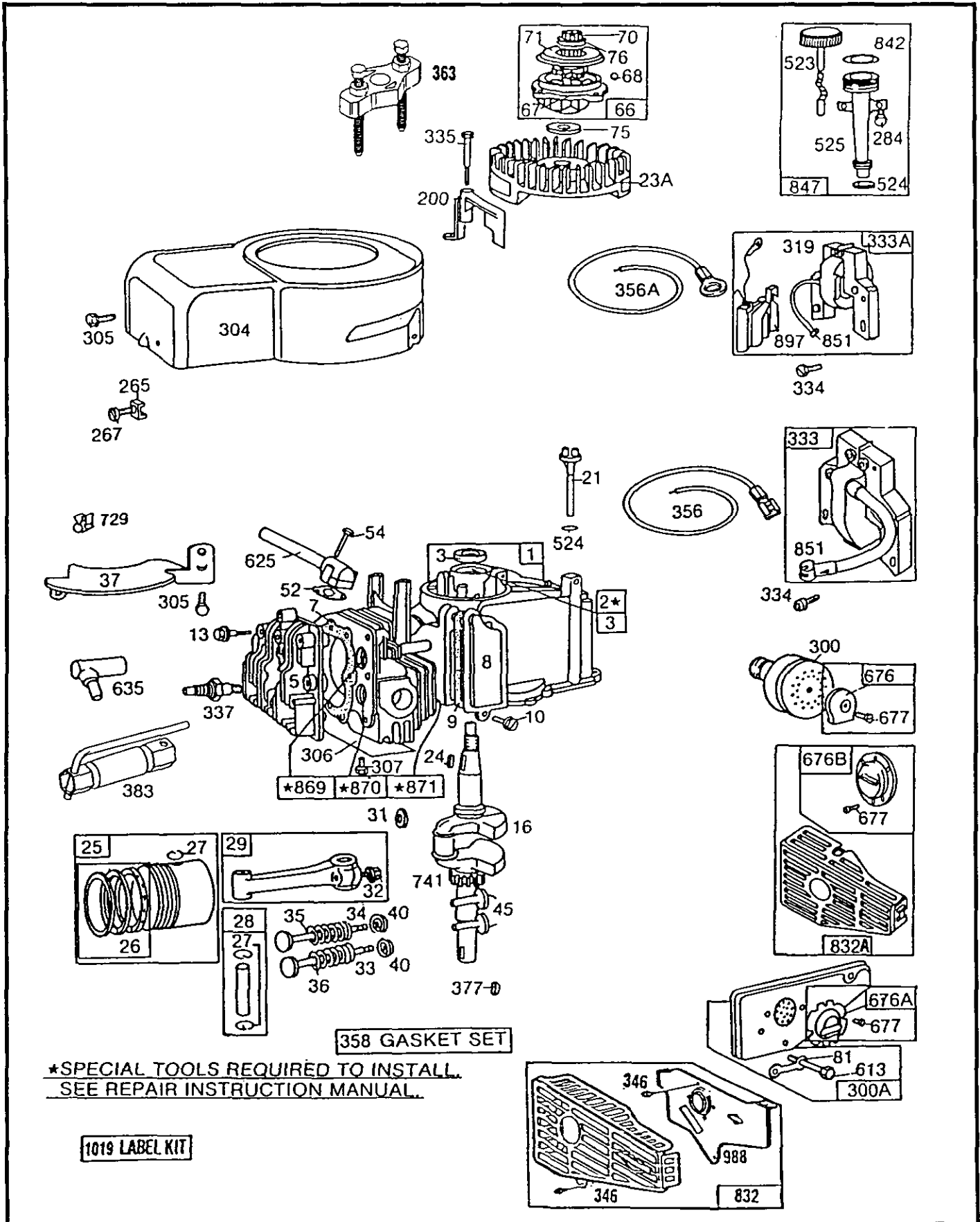
**THE CORRECT NUMBER OF THE PART YOU NEED:
FOLLOW THE INSTRUCTIONS BELOW**

- A. Refer to Engine Model, Type and Code Number that is stamped on the blower housing of engine. Engine type numbers such as 012301 are listed herein only as 0123. The two digits (01 or 02, etc.) to the right of the space are not needed for parts identification. Then use the Illustrated Parts List covering the Model Series.
- B. Refer to Illustrated Parts section and compare the old part with illustration. The number on the illustration is the Reference Number. Assemblies include all parts shown in frames. All parts shown in assembly frames on which individual reference numbers are given can be purchased separately.
- C. After the Reference Number has been identified, refer to the Numerical Parts List, where Reference and Master Part Number are listed. **THE MASTER PART IS USED ON ALL TYPE NUMBERS EXCEPT THOSE TYPE NUMBERS UNDER "NOTE."**
- D. If a "Note" appears below the Master Part Number, this means that this part differs from the Master Part for certain types. If the Type number is listed under "Note," order the part referred to.
- E. If the Engine Type Number does not appear after any part number listed under "Note," use the Master Part Number.
- F. For Type Numbers higher than those covered by this book, please refer to the factory if you are unable to identify the part by comparison.

BRIGGS & STRATTON

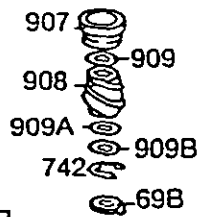
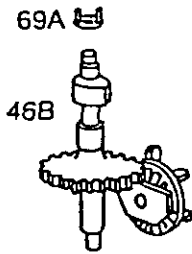
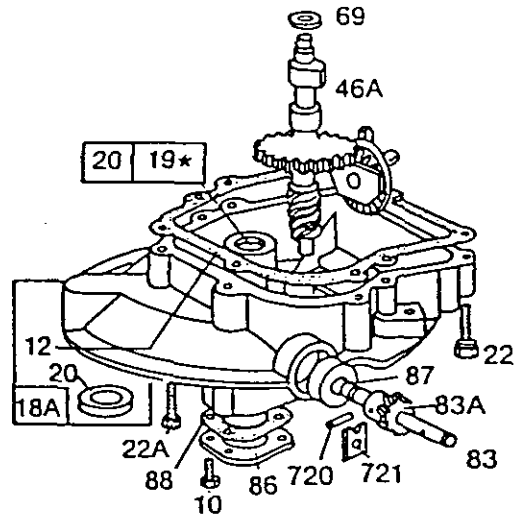
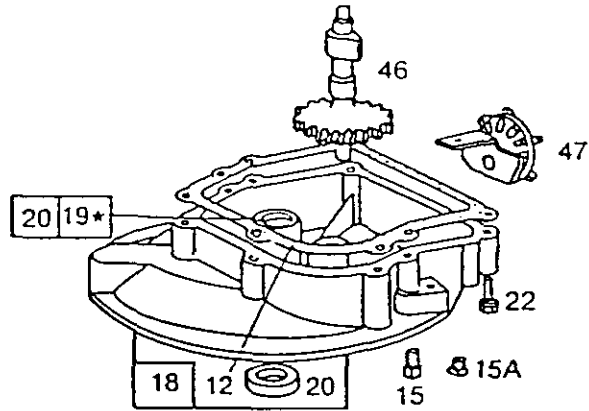
®

110900 to 110999

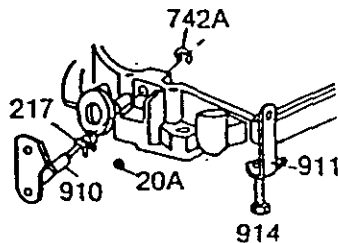
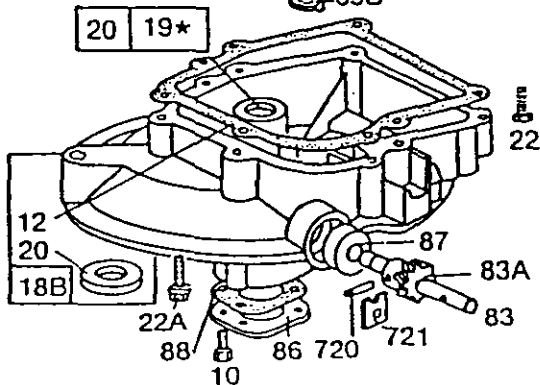


***SPECIAL TOOLS REQUIRED TO INSTALL.
SEE REPAIR INSTRUCTION MANUAL.**

1019 LABEL KIT

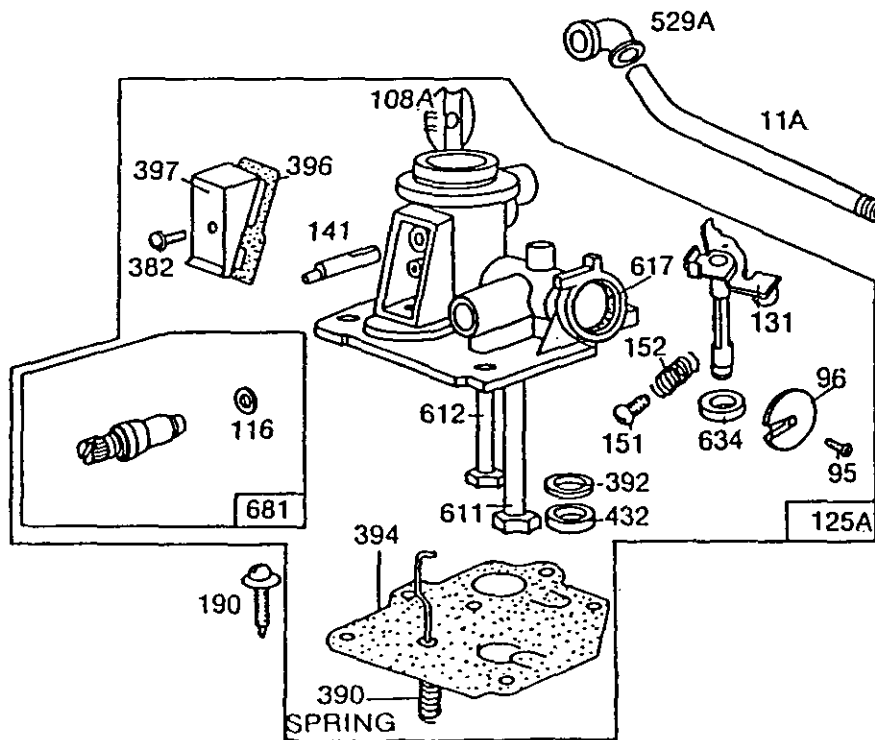
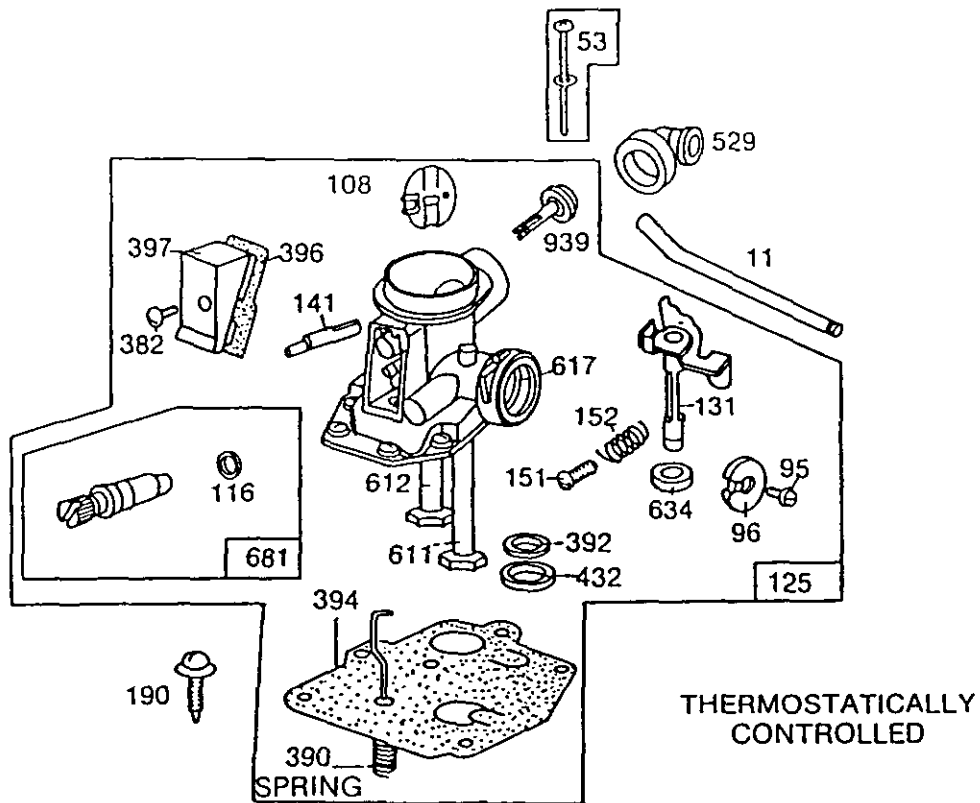


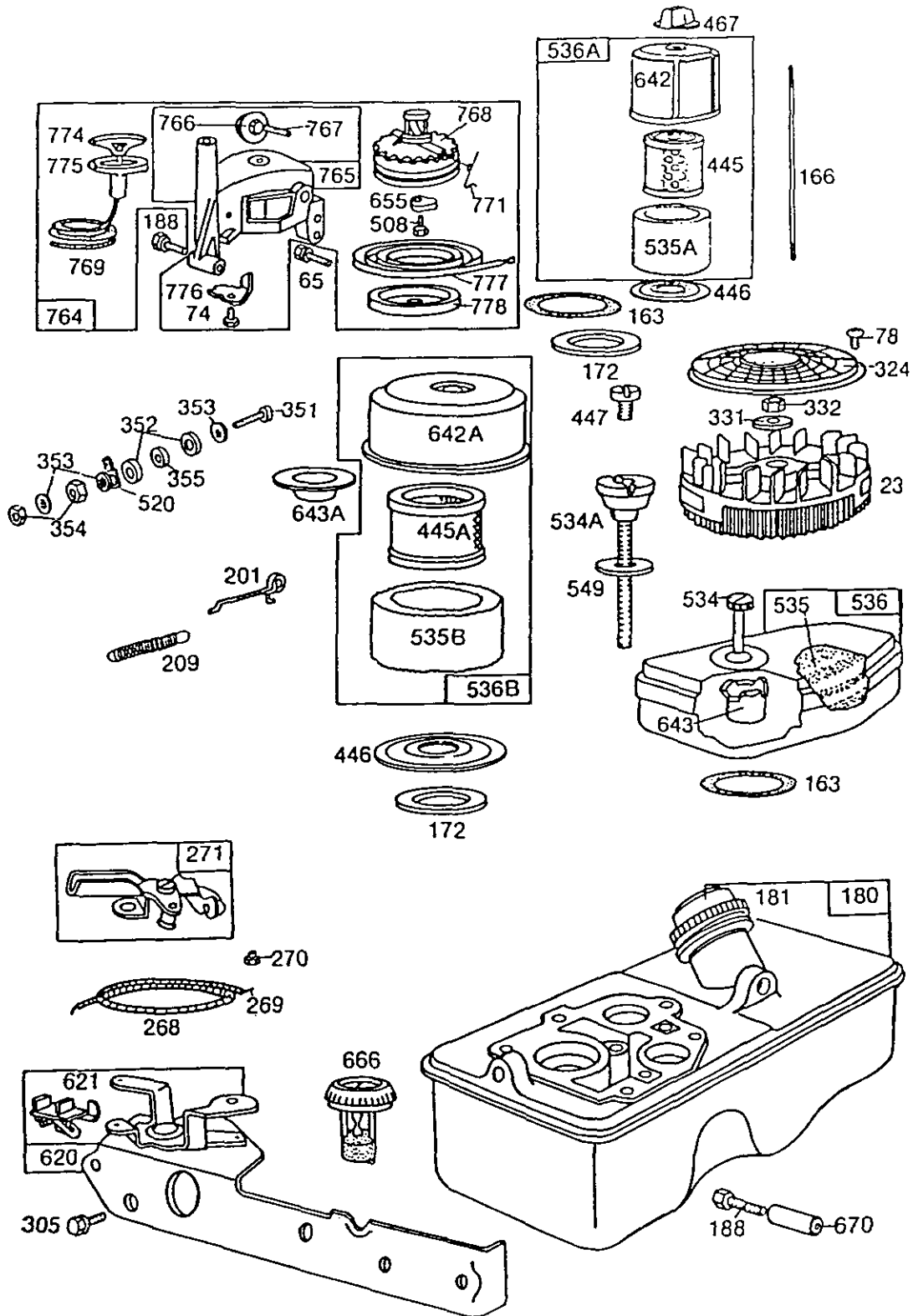
998 POWER TRAC KIT



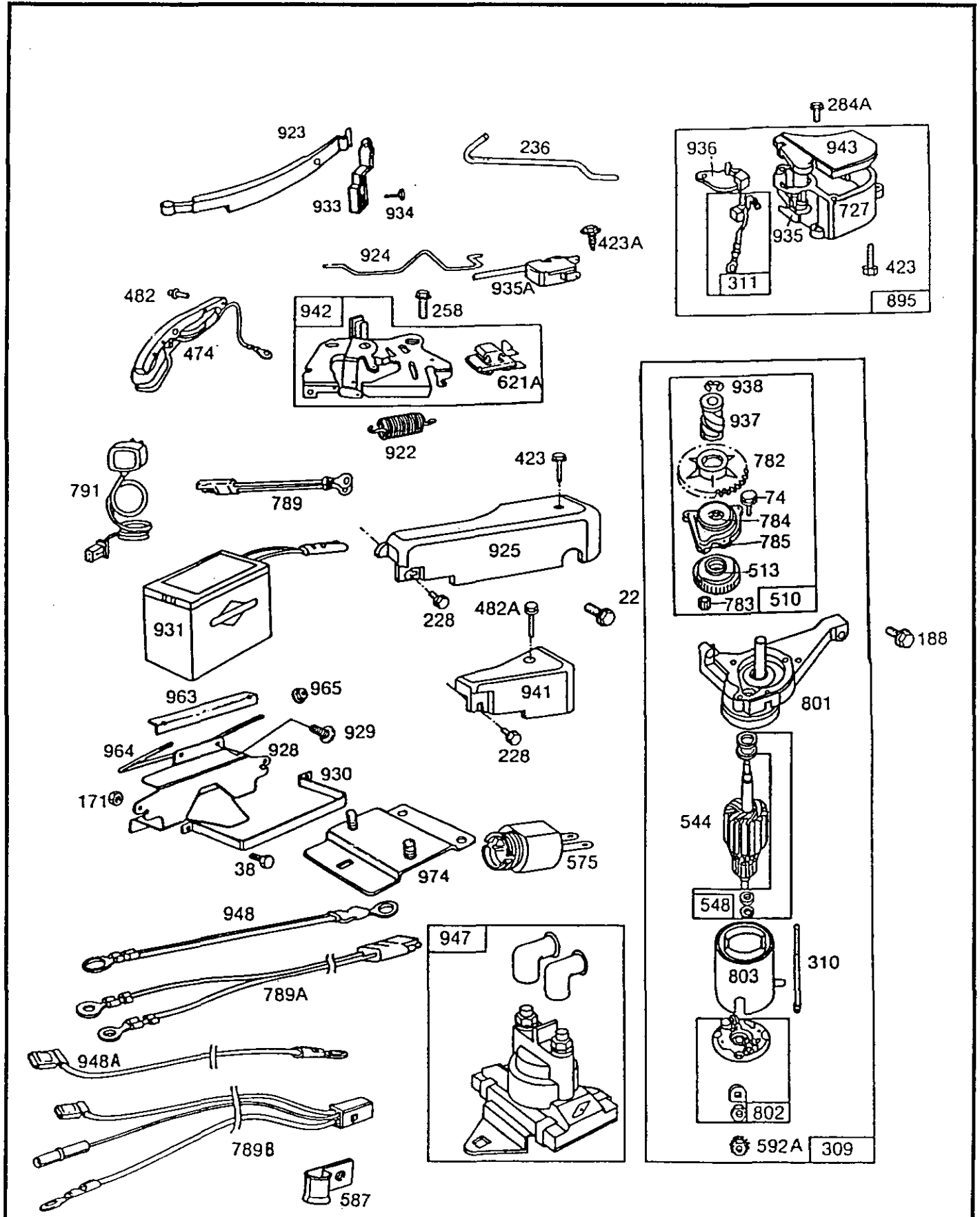
*SPECIAL TOOLS REQUIRED TO INSTALL.
SEE REPAIR INSTRUCTION MANUAL.

110900 to 110999





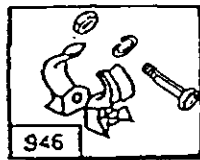
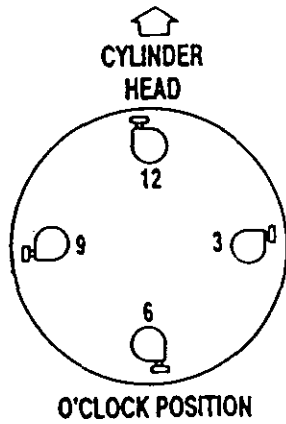
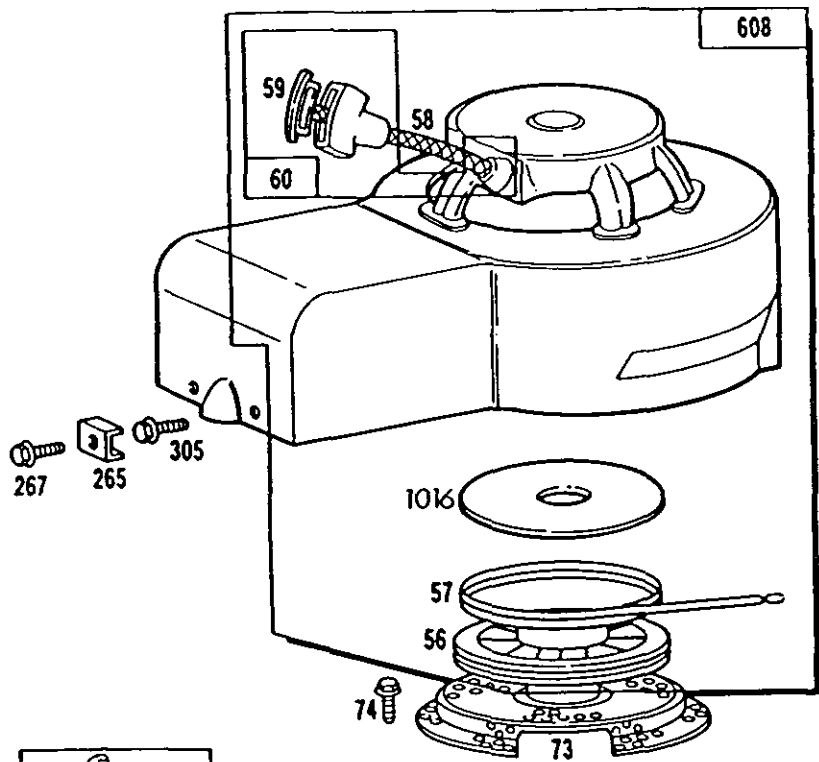
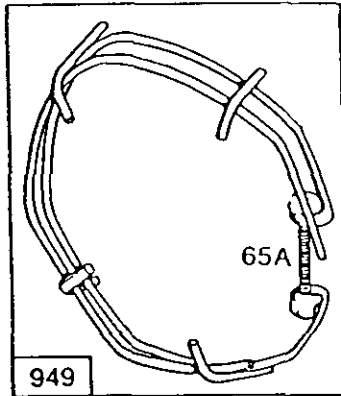
110900 to 110999



8165-5

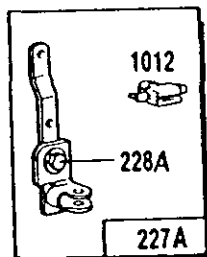
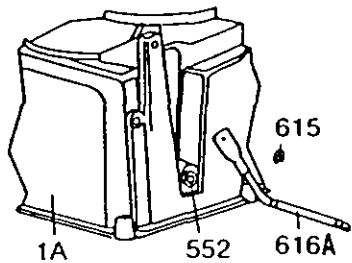
Assemblies include all parts shown in frames.

60

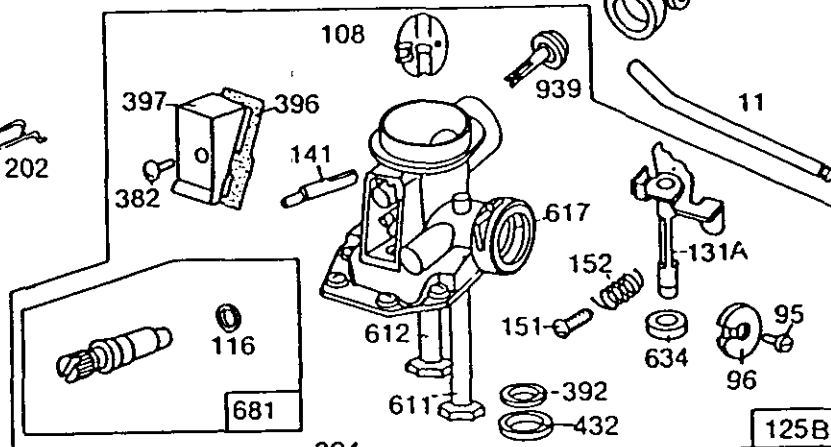
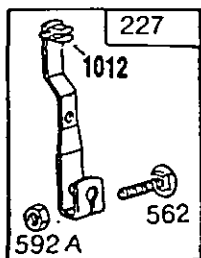
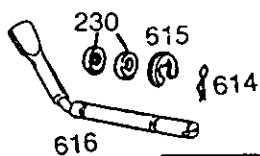


ROPE LENGTH	CLOCK POSITIONS					
	1:30	4	6	8	9	12
48-5/8"					396670	396540
81	396672	396671	396674		396670	396673
88-5/8"			396674	398243	396670	396673

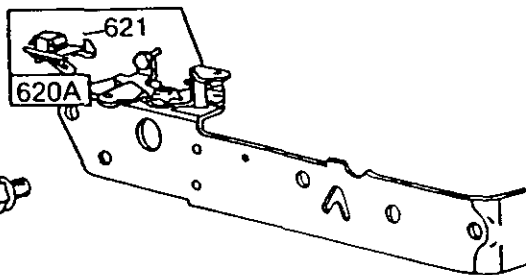
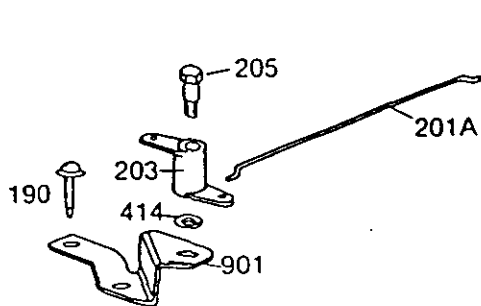
110900 to 110999



SPECIAL PARTS FOR 3900 SERIES.
(MECHANICAL GOVERNOR)



THERMOSTATICALLY
CONTROLLED



110900 to 110999

REF. NO.	PART NO.	DESCRIPTION	REF. NO.	PART NO.	DESCRIPTION	REF. NO.	PART NO.	DESCRIPTION
1	399168	Cylinder Assembly (Used After Code Date 85073100). Note: 395958 Cylinder Assy. (Used Before Code Date 85080100).		261280	Crankshaft Used on Type Nos. 1170, 3170, 3232, 3238. 261341 Crankshaft Used on Type Nos. 3017, 3113, 3172, 3210, 3243, 3255. 262028 Crankshaft Used on Type Nos. 3234, 3245. Note: 397231 Crankshaft Used on Type Nos. 3206, 3219, 3225, 3242. 490783 Crankshaft Used on Type Nos. 3017, 3113, 3172, 3198, 3210, 3243, 3255, 3257. 492087 Crankshaft Used on Type Nos. 1180, 3016, 3052, 3053, 3082, 3112, 3191, 3192, 3193, 3196, 3197, 3205, 3211, 3212, 3213, 3236, 3241, 3244, 3249, 3259. 492094 Crankshaft Used on Type Nos. 3018, 3114, 3180, 3199, 3203, 3207, 3208, 3209, 3228, 3239.			Note: 280381 Gage—Oil Filler Plug (Used Before Code Date 85080100). 22 93032 Screw—Mtg. Sem 22A 93415 Screw—Sem (One used in Auxiliary Drive Gear Sump) on Model 110985 to 110988 Series Engines. Note: Use 93032 Screw in the other (5) Sump Mounting Holes Use (4) 93032 Screws with Ref. 914 Screw on Clutch Type. 23 394849 Flywheel—Magneto Note: 393831 Flywheel—Magneto Used on Type Nos. 3201, 3208, 3209, 3248, 3249. 394848 Flywheel—Magneto Used on Type Nos. 3251, 3913. 23A 395653 Flywheel—Magneto 24 222698 Key—Flywheel 25 391650 Piston Assy.—Standard 391651 Piston Assy.—.010" O.S. 391652 Piston Assy.—.020" O.S. 391653 Piston Assy.—.030" O.S.
1A	399167	Cylinder Assembly (Mechanical Governor) (Used After Code Date 85073100). Note: 396329 Cylinder Assy. (Used Before Code Date 85080100).						
2	293708	Bushing—Cylinder Note: Requires Special Tools for Installation.						
3	299819	Seal—Oil						
5	213141	Head—Cylinder						
7	* 270836	Gasket—Cylinder Hd.						
8	298383	Breather—Valve Chamber						
9	* 270239	Gasket—Valve Cover						
10	93394	Screw—Breather and P.T.O. Gear Cover (Ref. No. 86) Mounting Sem						
11	231292	Tube—Breather						
11A	231043	Tube—Breather						
12	* 270833	Gasket—Crankcase— .015" Thick (Standard)						
	* 270895	Gasket—Crankcase— .005" Thick						
	* 270896	Gasket—Crankcase— .009" Thick						
13	93111	Screw—Cylinder Hd. (1-15/16" Long) Note: 93772 Stud—Cylinder Head 22963 Washer Used on Type Nos. 3220, 3230, 3244, 3252.	18 395384	Sump—Engine				
			18A 395390	Sump—Engine Used on Model 110985 to 110988 Series Engines.				
			18B 395392	Sump—Engine (For Clutch)				
15	91084	Plug—Oil Drain	19 293709	Bushing—Engine Sump Note: Requires Special Tools for Installation.				
15A	93418	Plug—Oil Drain (Socket Head) To Replace Crankshaft Gear Pin, Order Part No. 230978 When Required.	20 391483	Seal—Oil				
			20A 280266	Seal—Oil				
			21 280485	Gage—Oil Filler Plug (Used After Code Date 85073100).				
16	492093	Crankshaft						

* Included in Gasket Set—Part No. 391662

110900 to 110999

REF. NO.	PART NO.	DESCRIPTION	REF. NO.	PART NO.	DESCRIPTION	REF. NO.	PART NO.	DESCRIPTION
	Note:	For Connecting Rod with .020" undersize Crankpin Bearing—Order No. 393710.	46B	396036	Cam Gear and Oil Slinger Assembly (For Clutch)	74	† 93490	Screw—Sem
31	222282	Washer—Flat (One for Each Screw)	47	294652	Oil Slinger Gear and Bracket	75	223047	Washer
32	94405	Screw—Connecting Rod		Note:	394044 Oil Slinger Assembly	76	68238	Washer—Ratchet Sealing
33	212004	Valve—Exhaust			Used on Type Nos. 3911, 3912, 3913, 3914, 3975.	78	93490	Screw—Screen Mtg.
	Note:	261913 Valve—Exhaust Used on Type Nos. 3168, 3169, 3181, 3182, 3253, 3912, 3975.	52	* 270844	Gasket—Intake Elbow	81	223256	Lock—Muffler Screw
34	261233	Valve—Intake	53	391982	Screw—Tank to Carburetor	83	230831	Shaft—Drive
35	260552	Spring—Intake Valve	54	93485	Screw—Intake Elbow Mounting		Note:	230870 Shaft—Drive Used on Type Nos. 3171, 3183, 3214, 3229, 3231, 3256.
36	26478	Spring—Exhaust Valve	56	280117	Pulley—Starter			230948 Shaft—Drive Used on Type Nos. 3051, 3088, 3169, 3175, 3195, 3196, 3218, 3226, 3237, 3251.
	Note:	26826 Spring—Exhaust Valve Used on Type Nos. 3168, 3169, 3181, 3182, 3253, 3912, 3975.	57	490179	Spring—Rewind Starter			231213 Shaft—Drive Used on Type No. 3233.
37	223150	Guard—Flywheel	58	280406	Rope—Rewind Starter—81" Long	83A	231278	Gear—Drive
38	93777	Screw—Battery Bracket		Note:	If Longer Rope is Needed, Order No. 280399 and Cut to Required Length. Order 66734 for 48-5/8" Long Rope.		Note:	231279 Gear—Drive Used on Type Nos. 3051, 3052, 3088, 3110, 3169, 3171, 3175, 3177, 3178, 3183, 3188, 3192, 3194, 3195, 3196, 3201, 3209, 3217, 3218, 3226, 3227, 3229, 3233, 3237, 3250, 3251.
40	93312	Retainer—Valve Spring Used with Valves with Groove in Stem.	59	396892	Insert—Starter Grip	86	221780	Cover—Sump
	Note:	292259 Rotocap—Exhaust Valve	60	393152	Grip—Starter Rope	87	391484	Seal—Oil
45	261250	Tappet—Valve	65	93587	Screw—Vertical Pull Starter Mounting	88	270328	Gasket—Sump Cover
46	395856	Gear—Cam	65A	94124	Screw—Guard Retaining	95	93499	Screw—Throttle Valve Mounting Sem
46A	395904	Cam Gear, Worm and Oil Slinger Assy.	66	399671	Clutch Assembly—Rewind Starter	96	211237	Valve—Throttle
	Note:	395906 Cam Gear, Worm and Oil Slinger Assembly Used on Type Nos. 3051, 3052, 3088, 3110, 3169, 3175, 3178, 3188, 3192, 3194, 3195, 3196, 3201, 3209, 3217, 3218, 3226, 3227, 3233, 3237, 3250, 3251, 3260.	67	394897	Housing—Starter Clutch	108	280370	Valve—Choke
			68	63770	Ball—Clutch		Note:	280429 Valve—Choke (Used After Code Date 83110604).
			69	66874	Washer—Thrust (11/16" O.D. x 15/32" I.D.)			280370 Valve—Choke (Used Before Code Date 83110704).
				Note:	68938 Washer—Thrust (13/16" O.D. x 17/32" I.D.)			Used on Type Nos. 3204, 3250, 3254, 3911, 3913, 3914, 3975.
					Used on Auxiliary Drive P.T.O. Camshaft and is Located Next to the Worm Gear.	108A	280178	Valve—Choke
			69A	223011	Washer—Clip	116	280203	O-Ring
			69B	223228	Washer—Thrust	125	395957	Carburetor Assembly
			70	298799	Ratchet—Rewind Starter			
			71	394506	Washer—Clutch Retainer (Rubber Coated)			
				Note:	221653 Washer—Clutch Retainer (Non-Coated)			
			73	221661	Screen—Starter Pulley			

* Included in Gasket Set—Part No. 391662

† Included in Starter Drive Kit—Part No. 395727

110900 to 110999

REF. NO.	PART NO.	DESCRIPTION	REF. NO.	PART NO.	DESCRIPTION	REF. NO.	PART NO.	DESCRIPTION		
	Note:	397178 Carburetor Assembly (Used After Code Date 83110604).	205	231520	Screw—Shoulder (Used After Code Date 86112300).			261106 Spring—Governor Used on Type Nos. 3171, 3183, 3205, 3207, 3243, 3244.		
		395957 Carburetor Assembly (Used Before Code Date 83110704). on Type Nos. 3204, 3250, 3254.		Note:	93838 Screw—Shoulder (Used Before Code Date 86112400).			261320 Spring—Governor Used on Type Nos. 3179, 3181, 3202, 3208, 3240.		
125A	395957	Carburetor Assembly	209	260875	Spring—Governor			261936 Spring—Governor Used on Type No. 3911.		
125B	396336	Carburetor Assembly		Note:	260877 Spring—Governor Used on Type Nos. 3111, 3121, 3168, 3169, 3176, 3185, 3186, 3187, 3189, 3213, 3220, 3222, 3223, 3224, 3228, 3230, 3252, 3253, 3254.			261938 Spring—Governor Used on Type Nos. 3912, 3913, 3914, 3975.		
	Note:	397180 Carburetor Assembly (Used After Code Date 83110604).			261034 Spring—Governor Used on Type Nos. 3015, 3016, 3017, 3018, 3050, 3051, 3052, 3053, 3081, 3082, 3088, 3174, 3175, 3212, 3215, 3216, 3249, 3255, 3256, 3257, 3259, 3260.	217	261520	Spring—Return (Clutch Lever)		
		396336 Carburetor Assembly (Used Before Code Date 83110704). Used on Type Nos. 3911, 3913, 3914, 3975.			261060 Spring—Governor Used on Type Nos. 1186, 1187, 1189, 3170, 3172, 3173, 3180, 3182, 3184, 3188, 3190, 3191, 3192, 3193, 3195, 3196, 3197, 3198, 3210, 3211, 3214, 3218, 3219, 3225, 3226, 3231, 3234, 3235, 3236, 3237, 3238, 3245, 3251, 3256, 3257, 3260.	227	491482	Lever Assy.—Governor		
131	299977	Shaft and Lever—Throttle				227A	396504	Lever Assy.—Governor		
131A	394035	Shaft and Lever—Throttle				228	93490	Screw—Hex. Head		
141	68908	Shaft—Choke				228A	93758	Screw—Hex. Head		
151	93524	Screw—Rd. Hd.—5-40 x 1/2				230	220680	Washer		
152	260746	Spring—Throttle Adj.				236	262461	Link—Brake Lock-Out		
163	271139	Gasket—Air Cleaner Mounting				258	94018	Screw—Hex. Head		
166	231332	Stud—Air Cleaner				265	22372	Clamp—Casing		
171	93203	Nut—5/16-18				267	93469	Screw—Clamp Mtg.		
172	271077	Gasket—Air Cleaner					Note:	93686 Screw—Clamp Mtg. Used on Type No. 3255.		
180	396781	Tank Assembly—Fuel				268	66986	Casing—Control Wire—48" Long Note: If longer casing is needed, specify length in inches; if a shorter casing is needed, Order Part No. 66986 and cut to required length.		
181	391494	Cap—Fuel Tank (Chrome)				269	26099	Wire Control, 54" long Note: If longer wire is needed, specify length in inches; if shorter wire is needed, Order Part No. 26099 and cut to required length.		
188	93585	Screw—Fuel Tank and Starter Mounting						270	63426	Locknut—Control Wire Casing
190	93440	Screw—Fuel Tank Mtg.								
200	68388	Blade—Governor								
201	261027	Link—Governor Note: 260878 Link—Governor Used on Type Nos. 3202, 3208, 3209, 3248, 3249.								
201A	261918	Link—Governor (For Electric Start)								
202	261897	Link—Throttle								
203	280272	Crank—Bell								

110900 to 110999

REF. NO.	PART NO.	DESCRIPTION	REF. NO.	PART NO.	DESCRIPTION	REF. NO.	PART NO.	DESCRIPTION	
271	290568	Lever Assembly—Control		492167	Plug—Spark (1-7/8" High—48 mm)	513	† 394815	Clutch Assembly	
284	94073	Screw—Clamp Mounting		802592	Plug—Spark (1-7/8" High—47 mm)	520	93522	Terminal—Spade	
284A	93892	Screw—Cover to Starter Motor	346	93705	Screw—Hex. Hd.	523	396372	Cap with Dipstick—Oil Filler	
300	394569	Muffler—Exhaust	351	93735	Screw—Terminal	524	271485	Seal—Filler Tube	
300A	394644	Muffler—Exhaust	352	66068	Washer—Insulating	525	280578	Tube—Oil Filler (Used After Code Date 85073100).	
304	396335	Housing—Blower	353	92791	Washer—Lock—Shakeproof		Note:	280382 Tube—Oil Filler (Used Before Code Date 85080100).	
305	94153	Screw—Sem	354	90576	Nut—Hex.—8-32	529	280368	Grommet—Breather	
306	222394	Shield—Cylinder	355	66554	Collar—Insulating	529A	67838	Grommet—Breather	
307	93758	Screw—Sem	356	398808	Wire—Ground	534	93374	Screw—Air Cleaner	
309	396439	Motor—Starter (6 Volt)		Note:	396585	Wire—Ground (Dual Wire)	534A	94005	Screw—Air Cleaner (Internal)
	Note:	397863 Motor—Starter (12 Volt) Identified By White Ground Insulator.				Used with Armature Ref. 333A Only on Type Nos. 3171, 3183.	535	270848	Element—Air Cleaner
310	94051	Bolt—Starter Motor	358	391662	Gasket Set	535A	271466	Element—Air Cleaner	
311	395728	Brush Kit—Starter Motor	363	19069	Puller—Flywheel (Optional Accessory)	535B	270979	Element—Air Cleaner	
	Note:	396537 Brush Kit—Starter Motor Used on Type Nos. 3220, 3229, 3230.	377	93065	Key—Woodruff No. 6	536	391641	Cleaner Assy.—Air	
		396537 Brush Kit—Starter Motor	382	93545	Screw—Choke Link Cover	536A	396397	Cleaner Assy.—Air	
		397547 Wire Assy.—Switch	383	89838	Wrench—Spark Plug	536B	392368	Cleaner Assy.—Air	
		Used on Type Nos. 3238, 3245.	390	261249	Spring—Diaphragm	544	396058	Armature—Starter (For 6 Volt Motor)	
319	395488	Armature Assy. (Less Trigger Coil)	392	260455	Spring—Fuel Pump Diaphragm		Note:	398636 Armature—Starter (For 12 Volt Motor)	
324	280140	Screen—Rotating	394	391681	Diaphragm Carburetor	548	396067	Washer Set—Starter Motor	
331	220865	Washer—Flywheel	396	270571	Gasket—Choke Link Cover	549	270978	Washer (Below Internal Screw Head)	
332	92284	Nut—Flywheel	397	211678	Cover—Choke Link	552	230732	Bushing—Governor Shaft	
333	397316	Armature—Magneto	414	223932	Washer (Used After Code Date 86112300).	562	92613	Bolt—Carriage	
333A	395489	Armature—Magneto		Note:	220982	Washer (Used Before Code Date 86112400).	575	396291	Switch—Ignition
334	93381	Screw—Armature Mounting Sem	423	94026	Screw—Hex. Head	587	220162	Clip—Shield Grounding	
335	93435	Screw—Armature and Governor Blade	423A	93758	Screw—Sem	592	231082	Nut—Hex.	
	Note:	93381 Screw—Armature Mounting Sem Used on Type Nos. 3911, 3912, 3913, 3914, 3975.	432	221377	Cap—Spring	592A	93991	Nut—Hex.—10-24	
337	298809	Plug—Spark (with Gasket) (1-1/2" High—37-42 mm)	445	396424	Cartridge—Air Cleaner	608		Starter Assy.—Rewind See Chart on Illustrated Pages.	
	Note:	293918 Plug—Spark (with Gasket) (1-1/2" High) (Resistor Type)	445A	392308	Cartridge—Air Cleaner		Note:	396017 Starter Assy.—Rewind (12 o'clock) Used on Type No. 3912.	
			446	222844	Base—Air Cleaner			397340 Starter Assy.—Rewind (9 o'clock) (Electric) Used on Type No. 3913.	
			447	93913	Screw—Cover Mtg.				
			467	212706	Knob—Air Cleaner				
			474	397880	Stator Assy.—Alternator				
			482	94016	Screw—Alternator Mounting				
			482A	93621	Screw—Sem				
			508	93158	Screw—Sem				
			510	395727	Drive Kit—Starter				

† Included in Starter Drive Kit—Part No. 395727

110900 to 110999

REF. NO.	PART NO.	DESCRIPTION	REF. NO.	PART NO.	DESCRIPTION	REF. NO.	PART NO.	DESCRIPTION
		397354 Starter Assy.— Rewind (9 o'clock) Used on Type Nos. 3911, 3914, 3975.	676	393760	Deflector—Muffler	789A	396393	Harness Assembly— Wiring (For Use with Solenoid) (6 Volt)
		398653 Starter Assy.— Rewind (Electric) (9 o'clock) Used on Type No. 3245.	676A	393756	Deflector—Muffler			Note: 396392 Harness Assy.— Wiring (For Use with Solenoid and Remote Mount Battery) (6 Volt)
611	297219	Pipe—Fuel (long)	676B	396548	Deflector—Muffler	789B	397637	Harness Assy.— Wiring (For 12 Volt Motor)
612	296811	Pipe—Fuel (short)	677	93705	Screw—Muffler Deflector	791	395569	Charger—Battery (For 6 Volt Battery) (120 Volt)
613	93935	Screw—Muffler Mtg.	681	395508	Needle Valve Kit			Note: 395585 Charger— Battery (For 6 Volt Battery (240 Volt) 493357 Adapter— Charger For Use With 493359 Battery
614	93306	Pin—Cotter	720	93474	Pin—Gear to Shaft	801	395851	Bracket Group— Drive End
615	93307	Retainer—E-Ring	721	221779	Stop—Drive Shaft	802	396061	Cap Assembly—End
616	491405	Crank—Governor	722	280336	Base—Electric Starter Cover	803	396059	Housing—Starter
616A	394075	Crank—Governor	729	280470	Clip—Wire	832	399637	Guard—Muffler
617	270344	Seal—Fuel Intake Tube	741	261533	Gear—Timing	832A	396313	Guard—Muffler
620	391442	Plate—Carburetor Control	742	93525	Ring—Retaining	842	270920	Seal—Filler Cap
		Note: 391503 Plate— Carburetor Control Used on Type Nos. 3015, 3016, 3017, 3018, 3050, 3051, 3052, 3053, 3194, 3210, 3257, 3260.	742A	93925	Ring—Retaining (Clutch Lever)	847	399030	Filler Group—Oil (Used After Code Date 85073100).
620A	394642	Plate—Carburetor Control (Mechanical Governor)	764	395874	Starter Assembly— Vertical Pull (79" Rope)			Note: 395869 Filler Group—Oil (Used Before Code Date 85080100).
621	396847	Switch—Stop (Used After Code Date 85032700).	765	395914	Housing—Vertical Pull Starter	851	221798	Terminal—Ignition Cable
		Note: 297472 Switch—Stop (Used Before Code Date 85032800).	766	280022	Pulley—Rope (Small)	869	211172	Seat—Intake Valve (Standard) (Used After Code Date 88063000).
621A	396847	Switch—Stop (Used After Code Date 84030200).	767	231048	Pin—Small Rope Pulley			Note: 210879 Seat—Intake Valve (Used Before Code Date 88070100).
		Note: 297472 Switch—Stop (Used Before Code Date 84030100).	768	299948	Pulley and Gear Assembly—Starter (81" Rope)	870	211291	Seat—Exhaust Valve (Standard)
625	391377	Tube—Fuel Intake	769	280406	Rope—Vertical Pull Starter (81" Long)	871	231349	Guide—Exhaust Valve
634	270167	Washer—Throttle Shaft (Felt)			Note: If longer rope is needed, Order Part No. 280399 and cut to required Length.			Note: 63709 Guide—Intake Valve See Repair Manual
635	66538	Elbow—Spark Plug	771	299961	Clip—Vertical Pull	877	396485	Wire Assembly (Alternator to Solenoid)
642	223306	Cover—Air Cleaner	774	280121	Insert—Starter Handle			
642A	222626	Cover—Air Cleaner	775	280036	Grip—Starter Rope			
643	280374	Cup—Air Cleaner	776	222049	Guide—Rope			
643A	222594	Cup—Air Cleaner	777	390066	Spring—Vertical Pull Starter			
655	222057	Anchor—Spring	778	280021	Cover—Vertical Pull Starter Pulley			
666	299992	Gauge—Fuel Level	782	† 280038	Gear—Electric Starter Spur			
670	94038	Spacer—Fuel Tank (23/32" Long)	783	† 261606	Gear—Electric Starter Pinion			
			784	† 223123	Cover—Electric Starter Clutch Gear			
			785	† 271457	Gasket—Electric Starter Clutch Gear Cover			
			789	395624	Harness Assembly— Wiring (6 Volt)			
					Note: 395602 Harness Assy.— Wiring 14" Long (For Remote Mount Battery) (6 Volt)			

† Included in Starter Drive Kit—Part No.
395727

110900 to 110999

REF. NO.	PART NO.	DESCRIPTION	REF. NO.	PART NO.	DESCRIPTION	REF. NO.	PART NO.	DESCRIPTION
895	394767	Base and Cover Assy.—Starter		Note: 493249	Control Plate—Brand Brake			
897	394970	Trigger Coil Assy.			Used on Model 110907			
901	490818	Bracket—Bell Crank (Used After Code Date 86112300).			Series Engines with 12 Volt Starter Motor.			
	Note: 223004	Bracket—Bell Crank (Used Before Code Date 86112400).	943	280322	Top—Electric Starter Cover			
906	261650	Spring—Torsion	946	396526	Rope Guide Kit (Kit Includes)			
907	394871	Sleeve Assy.—Clutch			92636 Screw—Hex.			
908	231220	Gear—Worm			90832 Lockwasher			
	Note: 231219	Gear—Worm (Counterclockwise) Used on Type Nos. 3171, 3177, 3183, 3229.	947	396483	Solenoid			
909	271417	Washer—Thrust	948	396261	Wire Assembly (8" Long)			
909A	271418	Washer—Thrust		Note: 396553	Wire Assy. (14" Long)			
909B	271312	Washer—Thrust			Used on Type Nos. 3220, 3230.			
910	394051	Lever Assy.—Clutch			397595 Wire Assy.			
911	223009	Control Bracket—Clutch		Uses:	93067 Screw—Hex.			
914	93970	Screw—Bracket Mounting			Head on Type No. 3229.			
922	261647	Spring—Band Brake	948A	397803	Wire Assembly (For 12 Volt Motor)			
923	394867	Brake Assembly—Band	949	396579	Guard—Rewind Starter			
924	261881	Link—Starter Switch	963	223502	Strap			
	Note: 261940	Link—Starter Switch Used on Type Nos. 3120, 3191, 3192, 3220, 3229, 3230, 3238, 3245.	964	94107	Bolt—U			
925	280363	Cover—Linkage	965	94108	Nut			
928	223162	Bracket—Battery	974	397591	Mounting Bracket—Solenoid (For 6 Volt Starter)			
929	93980	Screw—Sem		Uses:	93980 Screw—Hex.			
930	223161	Bracket Support—Battery			Head			
931	395559	Battery—6 Volt	988	223600	Bracket—Muffler			
933	223448	Pivot—Band Brake	998	399634	Power Trac Kit			
934	94037	Screw—Band Brake Pivot	1012	280414	Retainer—Link			
935	223128	Terminal—Switch	1016	490817	Spacer			
935A	398758	Switch Group	1019	491082	Label Kit			
936	280338	Actuator—Switch						
937	† 280366	Spline—Starter						
938	† 93941	Ring—Retaining						
939	395665	Shaft Assembly—Choke						
941	280395	Cover—Linkage						
942	493248	Control Plate—Brand Brake						

† Included in Starter Drive Kit—Part No. 395727



BRIGGS & STRATTON

®