

**111200 to 111299**

# Illustrated Parts List

## Model Series

# 111200 to 111299

TYPE NUMBERS  
0016 through 0036  
0111 through 0167

### TO FIND

**THE CORRECT NUMBER OF THE PART YOU NEED:**

**FOLLOW THE INSTRUCTIONS BELOW:**

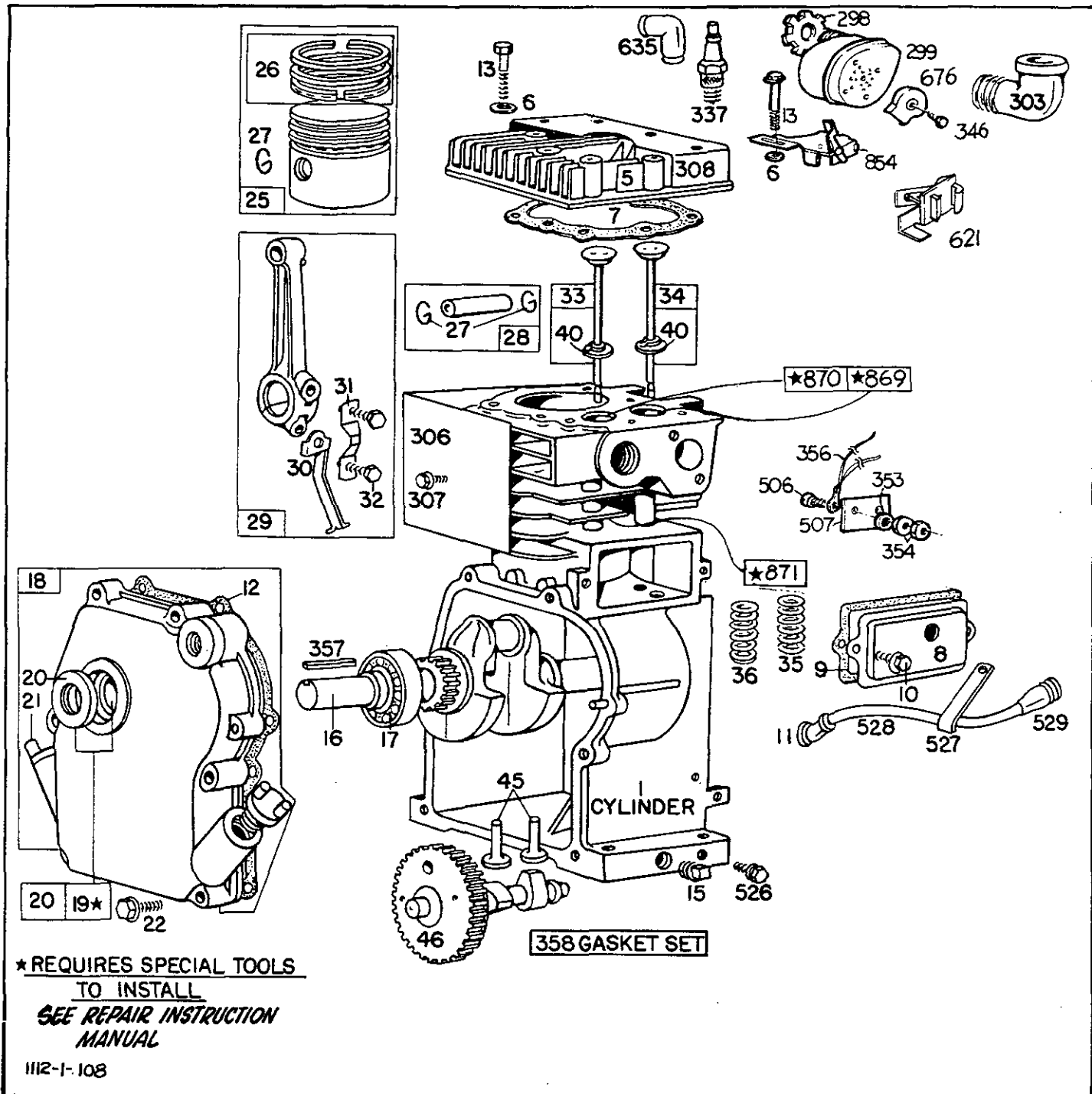
- A. Refer to Engine Model, Type and Code Number that is stamped on the blower housing or nameplate of engine. Engine type numbers such as 0147 01 are listed herein only as 0147. The two digits (01 or 02, etc.) to the right of the space are not needed for parts identification. Then use the Illustrated Parts List covering these Model Series.
- B. Refer to Illustrated Parts section and compare the old part with illustration. The number on the illustration is the Reference Number. Assemblies include all parts shown in frames. All parts shown in assembly frames on which individual reference numbers are given can be purchased separately.
- C. After the Reference Number has been identified, refer to the Numerical Parts List, where Reference and Master Part Numbers are listed. THE MASTER PART IS USED ON ALL TYPE NUMBERS EXCEPT THOSE TYPE NUMBERS UNDER "NOTE".
- D. If a "Note" appears below the Master Part Number, this means that this part differs from the Master Part for certain types. If the Type Number is listed under "Note", order the part referred to.
- E. If the Engine Type Number does not appear after any part number listed under "Note", use the Master Part Number.
- F. For Type Numbers higher than those covered by this book, please refer to the factory if you are unable to identify the part by comparison.

PRINTED IN U.S.A.



COPYRIGHT ©

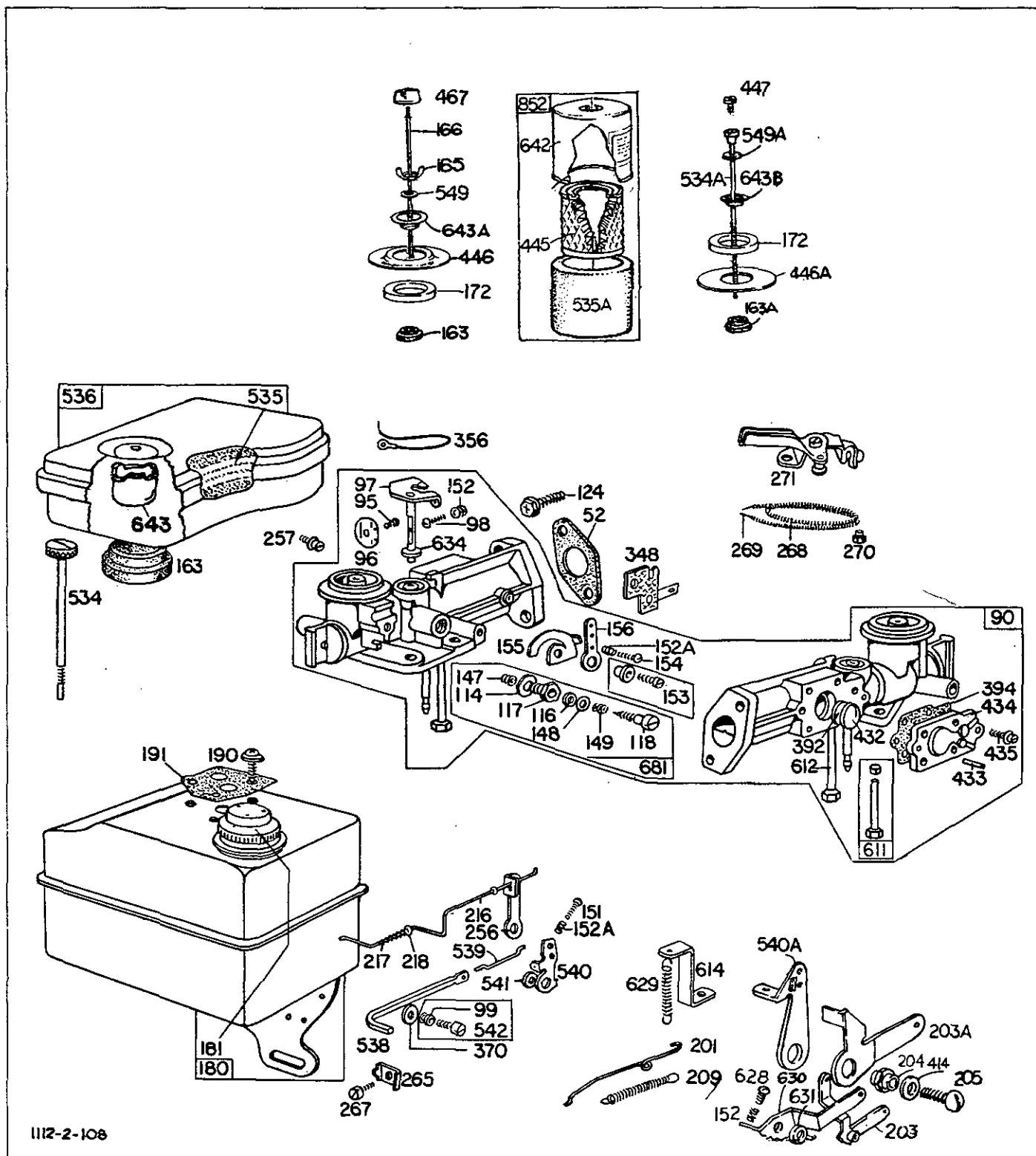
# 111200 to 111299



★ REQUIRES SPECIAL TOOLS  
 TO INSTALL  
 SEE REPAIR INSTRUCTION  
 MANUAL

1112-1-108

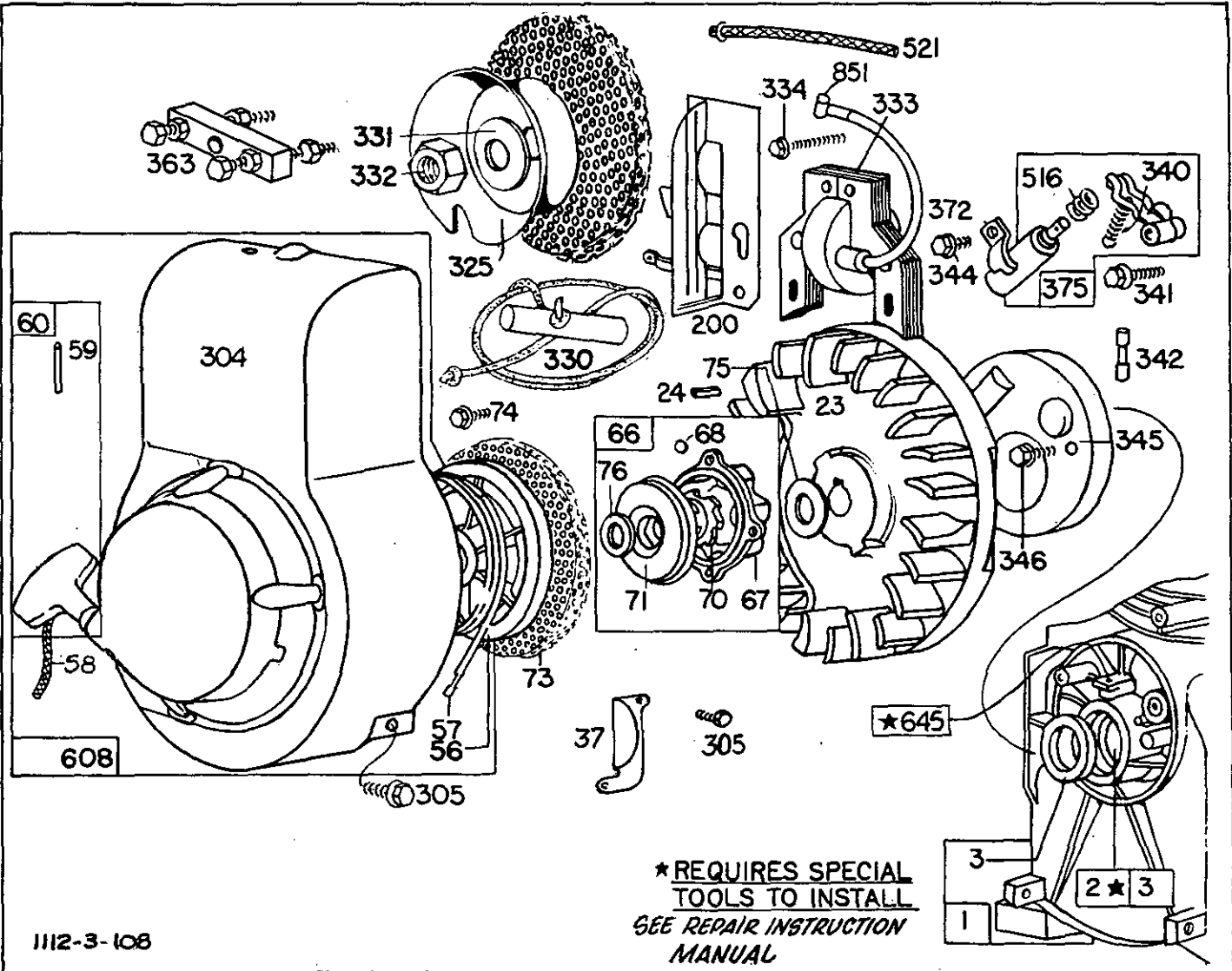
Assemblies include all parts shown in frames.



1112-2-108

Assemblies include all parts shown in frames.

# 111200 to 111299



Assemblies include all parts shown in frames.



# 111200 to 111299

REF. NO. 33 - 209

REF. NO.	PART NO.	DESCRIPTION	REF. NO.	PART NO.	DESCRIPTION	REF. NO.	PART NO.	DESCRIPTION	
33	212004	Valve—Exhaust	76	68238	Washer—Ratchet Sealing	152	260746	Spring Throttle Adjustment	
	<b>Note:</b>	212157 Valve—Exhaust Used on type Nos. 0035, 0036, 0154.	90	392905	Carburetor Assembly (Manual Choke) (2 Quart)	152A	260575	Spring—Speed and Throttle Adjustment	
34	261233	Valve—Intake		<b>Note:</b>	392894 Carburetor Assy. (Manual Choke) (1 Quart) Used on type Nos. 0138, 0139.	153	392922	Screw—Carburetor Cam and Lever	
35	260552	Spring—Intake Valve		392907 Carb. Assy. (Choke-A-Matic) (2 Quart) Used on type No. 0134.	154	93527	Screw—Machine, Rd. Hd. —5-40 x 5/8"		
36	26478	Spring—Exhaust Valve		392909 Carb. Assy. (Remote Control) (3 Quart) Used on type Nos. 0136, 0156, 0159, 0161.	155	220107	Cam—Speed Adjuster		
	<b>Note:</b>	26826 Spring—Exhaust Valve Used on type Nos. 0035, 0036, 0154.	95	93499	Screw—Throttle Valve Mounting Sem	156	220949	Lever—Speed Adjuster	
37	222403	Guard—Flywheel		96	211203	Valve—Throttle	163	270488	Gasket—Air Cleaner Mounting
40	93312	Retainer—Valve Spring		97	392629	Shaft and Lever—Throttle	163A	27660	Gasket—Air Cleaner Mounting
	<b>Note:</b>	292259 Rotocap—Exhaust Valve 230126 Pin—Rotocap Exhaust Valve Retainer 230127 Retainer—Exhaust Valve Rotocap Used on type Nos. 0035, 0036, 0154.		98	93524	Screw—Machine, Rd. Hd. —5-40 x 1/2"	165	93856	Wing Nut
45	261250	Tappet—Valve		99	393586	Spring (Includes Fil. Hd. Screw)	166	231176	Stud—Air Cleaner
46	392171	Gear—Cam		114	66594	Gasket—Needle Valve Nut	172	271077	Gasket—Air Cleaner
	<b>Note:</b>	392275 Gear—Cam Used on type Nos. 0117, 0130, 0142, 0155.		116	65978	Packing—Needle Valve	180	296591	Tank Assy. —Fuel (2 Quart)
52	392854	Gasket—Intake Elbow Mounting (2 used)		117	230590	Nut—Needle Valve		<b>Note:</b>	299817 Tank Assy. —Fuel (1 Quart) Uses: 93062 Screw—Bracket to Cylinder Mtg. 66432 Washer—Bracket to Cylinder Mtg. Used on type Nos. 0138, 0141. 296592 Tank Assy. —Fuel (3 Quart) Used on type Nos. 0136, 0156, 0159, 0161.
56	280117	Pulley—Rewind Starter		118	23433	Valve—Needle	181	298425	Cap—Fuel Tank
57	294303	Spring—Rewind Starter		124	93357	Screw—Hex. Hd.	190	93341	Screw—Fuel Tank Mounting Sem
58	66694	Rope—Starter—47-1/8"		147	230591	Seat—Needle Valve	191	*27911	Gasket—Fuel Tank Mounting
59	230228	Pin—Starter Grip		148	22235	Washer—Needle Valve		<b>Note:</b>	Engines using 3 quart. tank No. 296592 require (2) gaskets.
60	393152	Grip—Starter Rope		149	26336	Spring—Needle Valve	200	392913	Blade—Governor
66	298310	Clutch Assembly—Rewind Starter		151	93349	Screw—Machine, Rd. Hd. 5-40 x 5/8"	201	261372	Link—Governor
67	211383	Housing—Starter Clutch			<b>Note:</b>	93350 Screw—Machine, Rd. Hd. —5-40 x 3/4"	203	297069	Crank—Bell
68	63770	Ball—Clutch			Used on type Nos. 0136, 0145, 0151, 0159.	203A	221147	Crank—Bell	
70	298436	Ratchet—Rewind Starter				204	230531	Collar—Bell Crank	
71	221653	Washer—Clutch Retainer				205	93177	Screw—Bell Crank	
73	221661	Screen—Rotating				209	260041	Spring—Air Vane Gov.	
74	93490	Screw—Rotating Screen Mounting Sem							
75	220865	Washer—Spring							

\* Included in Gasket Set—Part No. 392856.

REF. NO.	PART NO.	DESCRIPTION	REF. NO.	PART NO.	DESCRIPTION	REF. NO.	PART NO.	DESCRIPTION
	<b>Note:</b>	<b>260662</b> Spring—Air Vane Governor Used on type Nos. 0130, 0132, 0133, 0137, 0140, 0141, 0142, 0143, 0144, 0146, 0149, 0155, 0156, 0157, 0162, 0164, 0166, 0167.	<b>299</b>	<b>392811</b>	Muffler—Exhaust (Lo-Tone)	<b>348</b>	<b>296110</b>	Plate Assembly—Stop Switch Insulator
		<b>260687</b> Spring—Air Vane Governor Used on type Nos. 0131, 0134, 0136, 0138, 0145, 0151, 0159.	<b>303</b>	<b>91943</b>	Elbow—Exhaust (90° Street)	<b>353</b>	<b>92791</b>	Washer—Lock—Shakeproof
<b>216</b>	<b>260449</b>	Link—Choke	<b>304</b>	<b>392628</b>	Housing—Blower (For Rope Starter) Used on <i>Model 111231</i> .	<b>354</b>	<b>90576</b>	Nut—Hex.—8-32
<b>217</b>	<b>260189</b>	Spring—Choke Link	<b>305</b>	<b>93158</b>	Screw—Sem	<b>356</b>	<b>391115</b>	Wire—Ground <b>Note:</b> <b>392074</b> Wire—Ground Used on type Nos. 0016, 0035, 0036, 0099, 0131, 0132, 0133, 0134, 0137, 0144, 0145, 0146, 0150, 0151, 0152, 0153, 0154, 0156, 0158, 0160, 0162.
<b>218</b>	<b>221198</b>	Washer—Choke Link (3)	<b>306</b>	<b>222681</b>	Shield—Cylinder			<b>295413</b> Wire—Ground Used on type Nos. 0139, 0148, 0163, 0166.
<b>256</b>	<b>220952</b>	Lever—Speed Adjuster	<b>307</b>	<b>93042</b>	Screw—Cylinder Shield Mounting Sem	<b>357</b>	<b>91539</b>	Key—3/16" Square <b>Note:</b> <b>93065</b> Key—Woodruff Used on type No. 0123.
<b>257</b>	<b>93263</b>	Screw—Fil. Hd., 10-32 x 3/8"	<b>308</b>	<b>222679</b>	Cover—Cylinder Head	<b>358</b>	<b>392856</b>	Gasket Set
<b>265</b>	<b>221370</b>	Clamp—Casing <b>Note:</b> <b>221535</b> Clamp—Casing Used on type Nos. 0142, 0155.	<b>325</b>	<b>298731</b>	Pulley—Starter (With Screen) (5/8" hole in Pulley)	<b>363</b>	<b>19069</b>	Puller—Flywheel (Optional Accessory)
<b>267</b>	<b>93496</b>	Screw—Sem	<b>330</b>	<b>69932</b>	Rope—Starter	<b>370</b>	<b>66432</b>	Washer—Plain
<b>268</b>	<b>66986</b>	Casing—Control Wire—48" long <b>Note:</b> If longer casing is needed, specify length in inches; if a shorter casing is needed, order No. 66986 and cut to required length.	<b>331</b>	<b>220865</b>	Washer—Flywheel (5/8" hole)	<b>372</b>	<b>220477</b>	Clamp—Condenser
<b>269</b>	<b>26099</b>	Wire—Control 54" long <b>Note:</b> If longer wire is needed, specify length in inches; if shorter wire is needed, order No. 26099 and cut to required length.	<b>332</b>	<b>92284</b>	Nut—Flywheel (5/8-18 right hand thread)	<b>375</b>	<b>294628</b>	Breaker Points and Condenser Set <b>Note:</b> <b>299061</b> Ignition Kit Includes: <b>294628</b> Point Set <b>65604</b> Plunger <b>61760</b> Key—Flywheel
<b>270</b>	<b>63426</b>	Locknut—Control Wire Casing	<b>333</b>	<b>298502</b>	Armature—Magneto	<b>392</b>	<b>260455</b>	Spring—Fuel Pump Diaphragm
<b>271</b>	<b>290568</b>	Lever Assy.—Control	<b>334</b>	<b>93381</b>	Screw—Armature Mounting Sem	<b>414</b>	<b>220982</b>	Washer
<b>298</b>	<b>220859</b>	Locknut—Muffler	<b>337</b>	<b>298809</b>	Plug—Spark (with gasket) (1-1/2" High—37-42 M. M.) <b>Note:</b> Spark Plugs use Ignition Cable Terminal No. 221798. <b>29693</b> Plug—Spark (With Gasket) 2" High—51 M. M. Used on type No. 0139. <b>293918</b> Plug—Spark (With Gasket) 1-1/2" High (Resistor type)	<b>394</b>	<b>270026</b>	Diaphragm
			<b>340</b>	<b>26018</b>	Spring—Breaker Arm	<b>432</b>	<b>221377</b>	Cap—Spring
			<b>341</b>	<b>93381</b>	Screw—Sem	<b>433</b>	<b>93265</b>	Pin—Diaphragm Cover
			<b>342</b>	<b>65704</b>	Plunger—Breaker Point	<b>434</b>	<b>210959</b>	Cover—Diaphragm
			<b>344</b>	<b>93042</b>	Screw—Condenser Clamp Mounting Sem	<b>435</b>	<b>93141</b>	Screw—Diaphragm Cover
			<b>345</b>	<b>220366</b>	Cover—Breaker Point and Condenser	<b>445</b>	<b>392308</b>	Cartridge—Air Cleaner
			<b>346</b>	<b>93705</b>	Screw—Sem.	<b>446</b>	<b>222844</b>	Base—Air Cleaner
						<b>446A</b>	<b>222593</b>	Base—Air Cleaner
						<b>447</b>	<b>93817</b>	Screw, Cover Mtg.

# 111200 to 111299

REF. NO. 467 - 871

REF. NO.	PART NO.	DESCRIPTION	REF. NO.	PART NO.	DESCRIPTION	REF. NO.	PART NO.	DESCRIPTION		
467	212293	Knob—Air Cleaner	549	271118	Washer—Air Cleaner	634	270167	Washer—Throttle Shaft (Felt)		
506	90200	Screw—Machine, Fil. Hd. —8-32 x 1/2"	549A	270978	Washer (Below Internal Screw Head)	635	66538	Elbow—Spark Plug		
507	66895	Insulator	608	392865	Starter Assy. —Rewind (10 o'clock)	642	222626	Cover—Air Cleaner		
516	260374	Spring—Connector		<b>Note:</b>	392910	Starter Assy. —Rewind (12 o'clock)	643	221321	Cup—Air Cleaner	
521	298529	Shielding—Ignition Cable				Used on type Nos. 0016, 0035, 0135, 0154, 0160.	643A	222845	Cup—Air Cleaner (1/2" deep)	
526	93343	Screw—Tank Bracket Mounting Sem	611	391813	Fuel Pipe and Clip Assembly	643B	222594	Cup—Air Cleaner (1/4" deep)		
527	221279	Clamp—Breather Tube		<b>Note:</b>	297219	Pipe—Fuel (2-5/8" long) Plastic	645	23513	Bushing—Plunger	
528	230634	Tube—Breather				Used on type No. 0138, 0141.	676	222522	Deflector—Exhaust	
529	67608	Grommet—Breather Tube						<b>Note:</b>	392191	Arrestor—Spark Used on type No. 0158.
534	93322	Screw—Air Cleaner	612	296811	Pipe—Fuel (1-5/8" long) Plastic	681	299060	Needle Valve Kit		
534A	93825	Screw—Air Cleaner	614	222161	Anchor—Spring	851	221798	Terminal—Ignition Cable		
535	27987	Element—Air Cleaner	621	297472	Switch—Stop	852	392368	Cleaner Group—Air		
535A	270979	Element—Air Cleaner	628	93149	Screw—Machine, Rd. Hd. —5-40 x 3/8"	854	392884	Bracket Assembly—Stop Switch		
536	297036	Cleaner Assy. —Air	629	260871	Spring—Throttle Return	869	210879	Seat—Intake Valve (Standard)		
538	260683	Rod—Speed Control (square rod)	630	221425	Arm—Throttle Control	870	211291	Seat—Exhaust Valve (Standard)		
539	260684	Link—Rod	631	221427	Washer—Throttle Control Arm	871	63709	Guide—Exhaust Valve		
540	221380	Lever—Speed Adjuster								
540A	220678	Lever—Speed Adjuster								
541	22398	Washer—Speed Adjuster and Governor Lever								
542	393586	Screw—Machine, Fil. Hd. (Includes Spring)								