

111700 to 111799

Illustrated Parts List Model Series

111700 to 111799

Compliance

TYPE NUMBERS
3000, 3006, 3036,
3041 through 3058.

Non-Compliance

TYPE NUMBERS
0100, 0101, 0102, 0106,
0160 through 0204

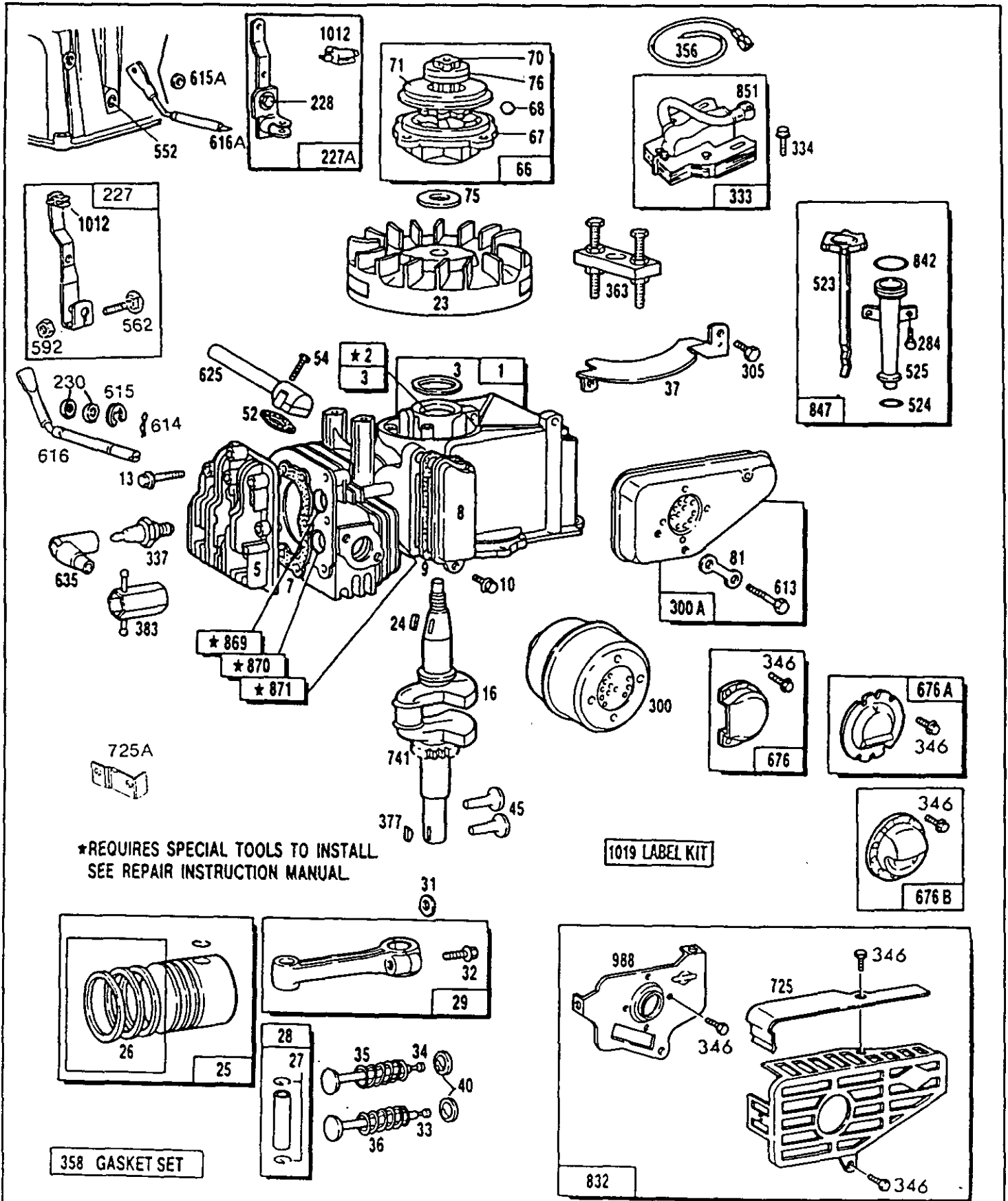
**TO FIND
THE CORRECT NUMBER OF THE PART YOU NEED:
FOLLOW THE INSTRUCTIONS BELOW**

- A. Refer to Engine Model, Type and Code Number that is stamped on the blower housing of engine. Engine type numbers such as 012301 are listed herein only as 0123. The two digits (01 or 02, etc.) to the right of the space are not needed for parts identification. Then use the Illustrated Parts List covering the Model Series.
- B. Refer to Illustrated Parts section and compare the old part with illustration. The number on the illustration is the Reference Number. Assemblies include all parts shown in frames. All parts shown in assembly frames on which individual reference numbers are given can be purchased separately.
- C. After the Reference Number has been identified, refer to the Numerical Parts List, where Reference and Master Part Number are listed. **THE MASTER PART IS USED ON ALL TYPE NUMBERS EXCEPT THOSE TYPE NUMBERS UNDER "NOTE."**
- D. If a "Note" appears below the Master Part Number, this means that this part differs from the Master Part for certain types. If the Type number is listed under "Note," order the part referred to.
- E. If the Engine Type Number does not appear after any part number listed under "Note," use the Master Part Number.
- F. For Type Numbers higher than those covered by this book, please refer to the factory if you are unable to identify the part by comparison.

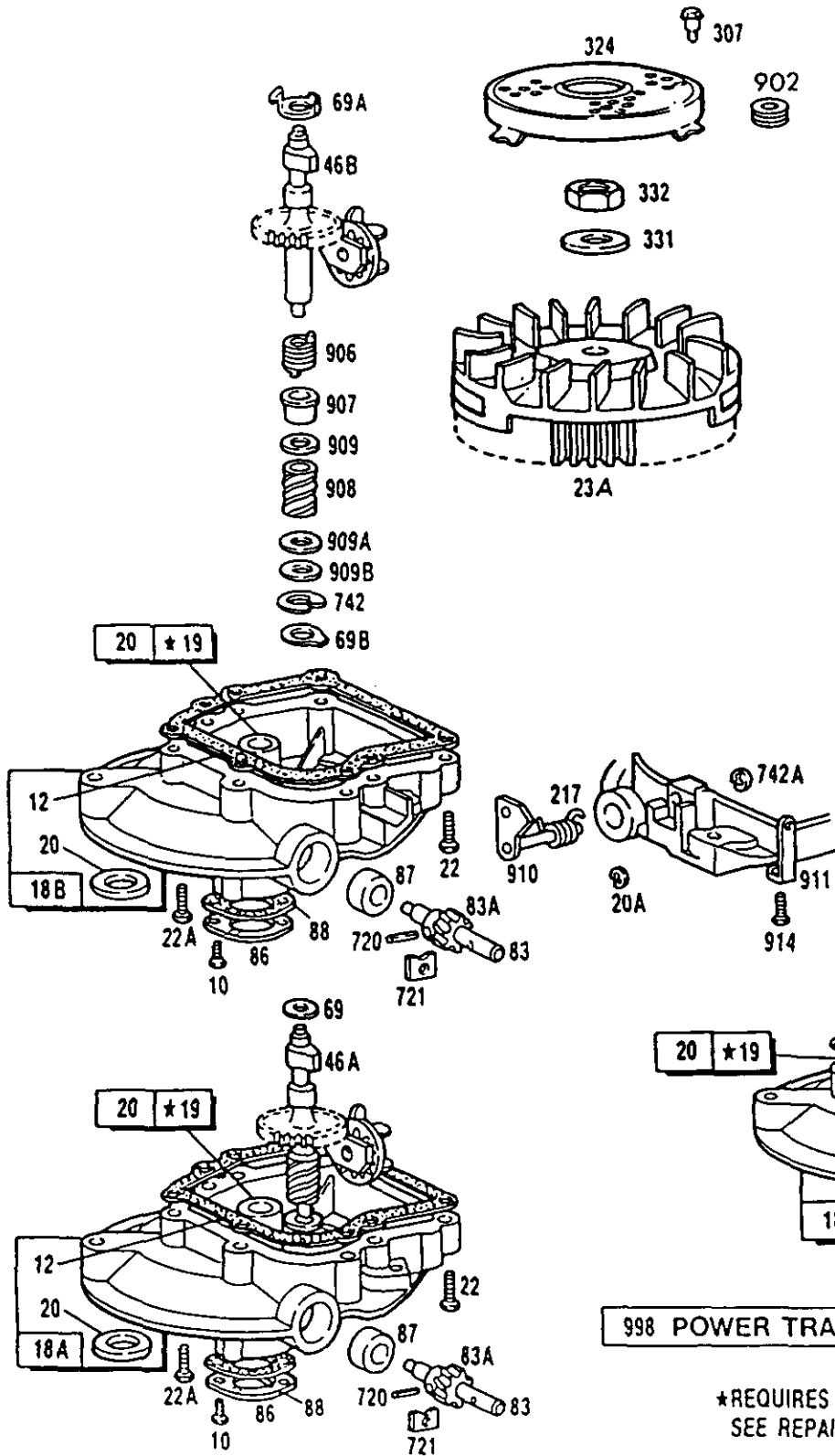
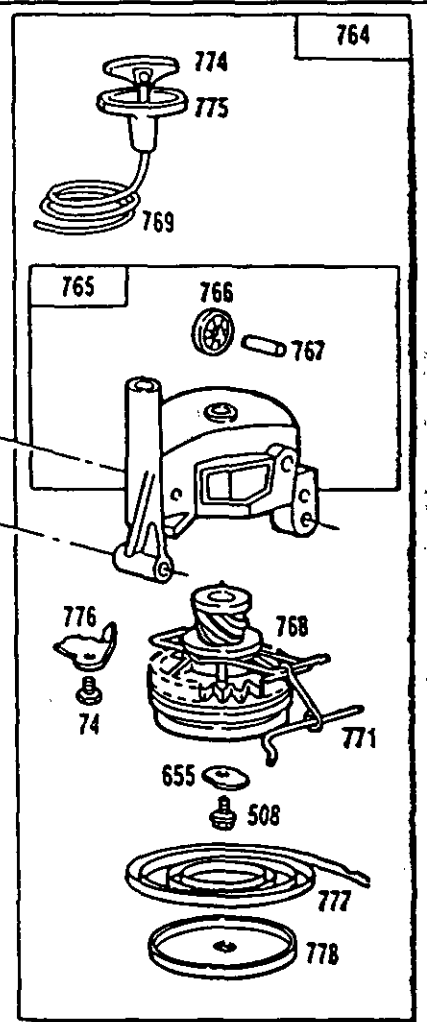
BRIGGS & STRATTON

®

111700 to 111799



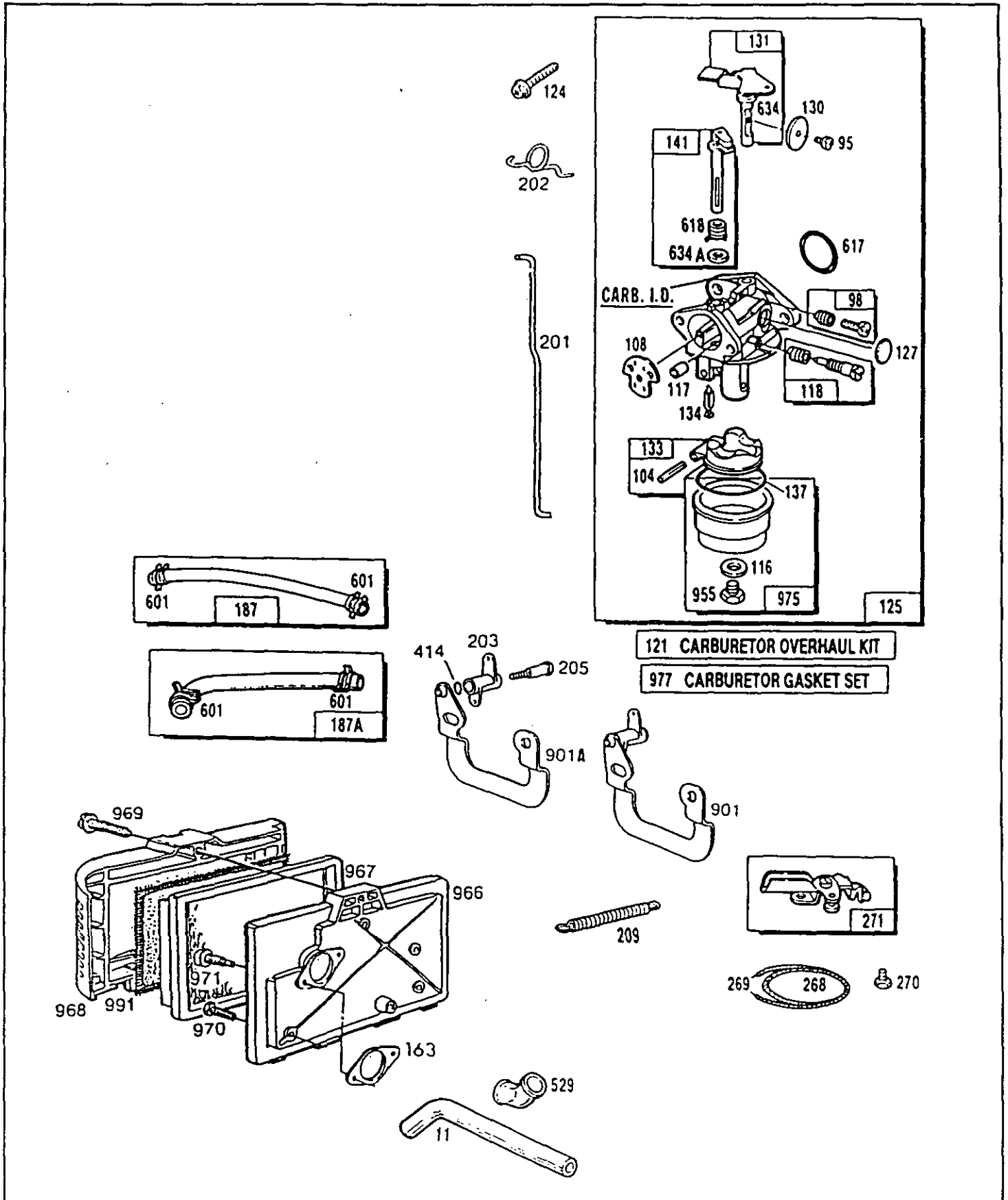
★REQUIRES SPECIAL TOOLS TO INSTALL
SEE REPAIR INSTRUCTION MANUAL

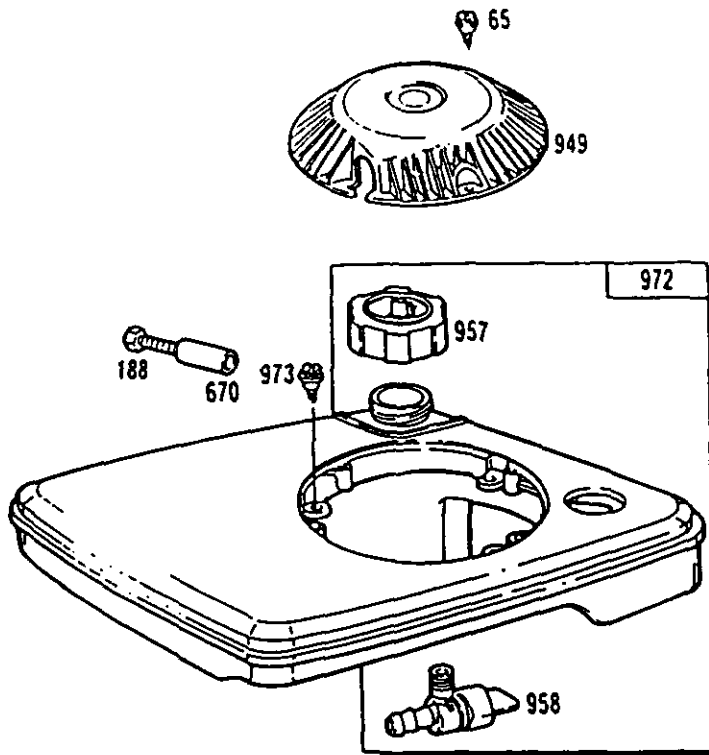


998 POWER TRAC KIT

*REQUIRES SPECIAL TOOLS TO INSTALL.
SEE REPAIR INSTRUCTION MANUAL.

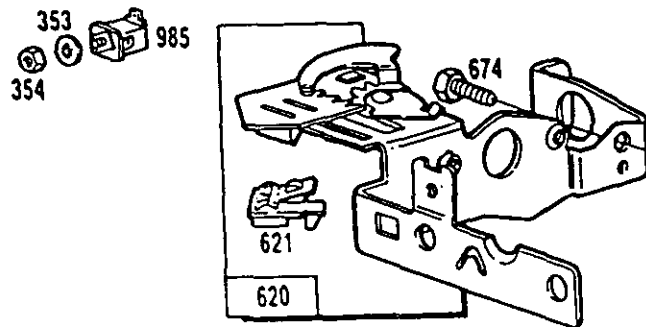
111700 to 111799



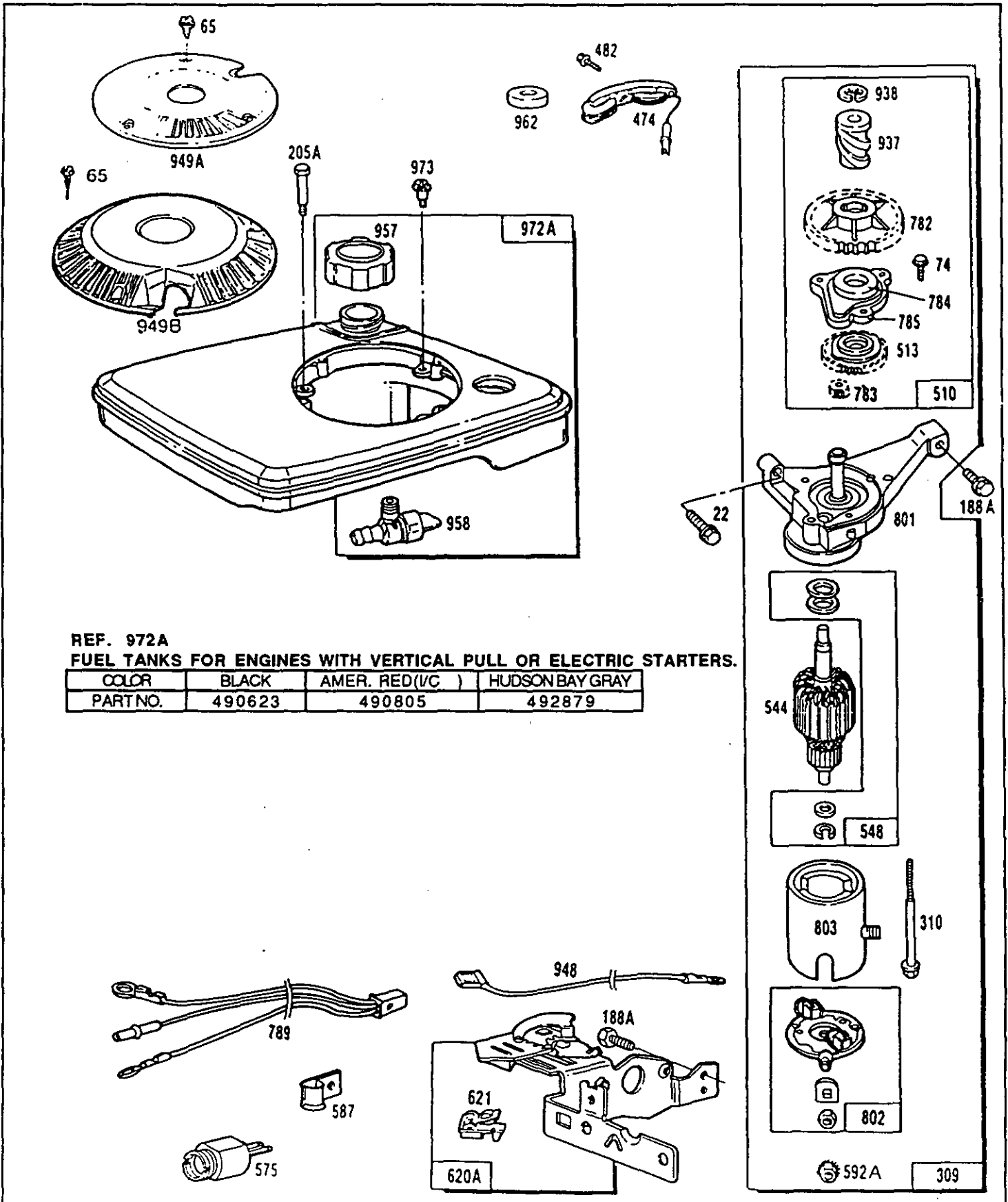


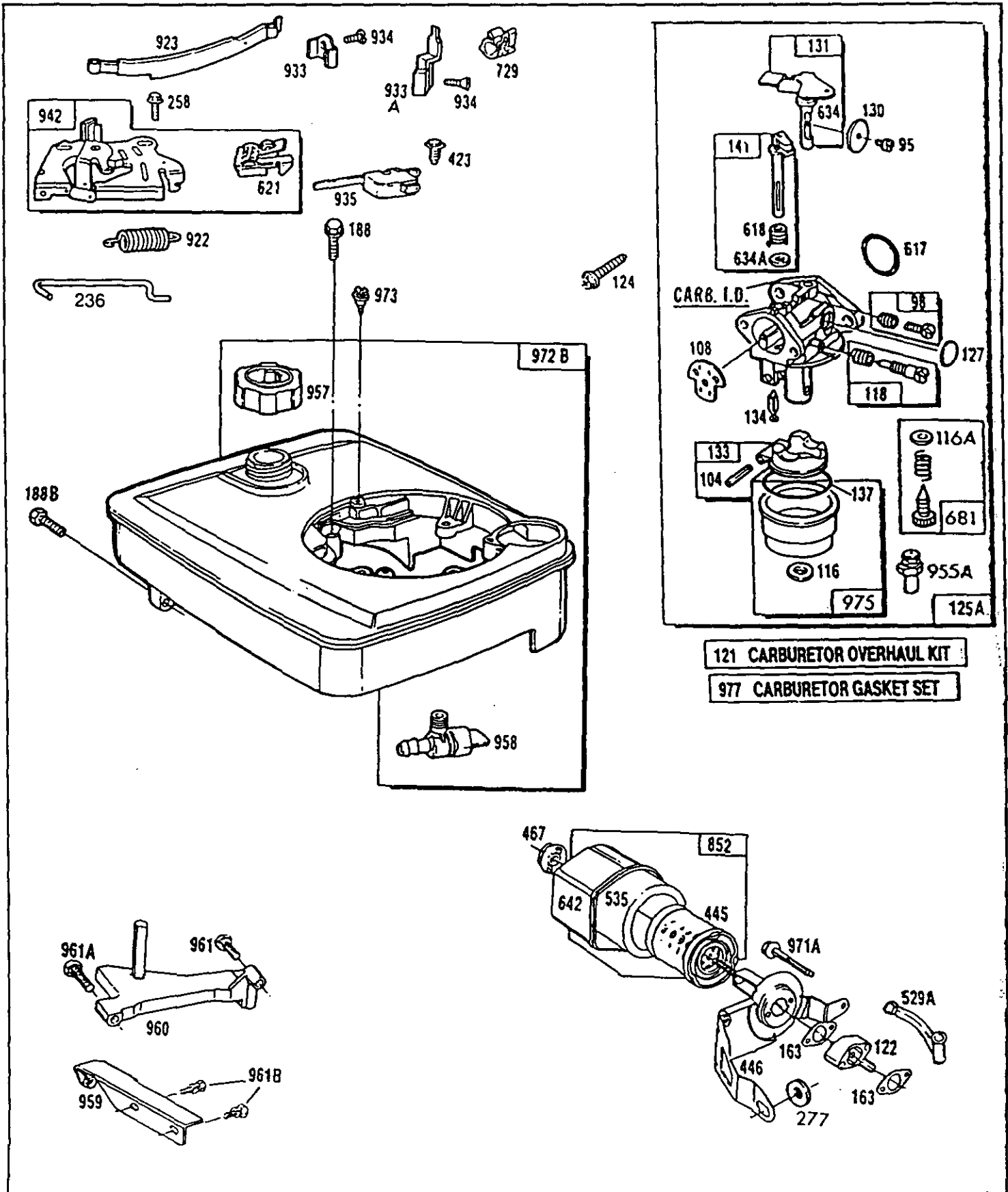
REF. 972
 FUEL TANKS FOR ENGINES WITH REWIND START ONLY.

COLOR	BLACK	GREY	AMER. RED(V/C)	SUN YELLOW
PART NO.	490622	490808	490806	490804

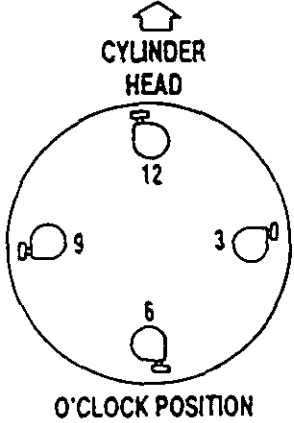
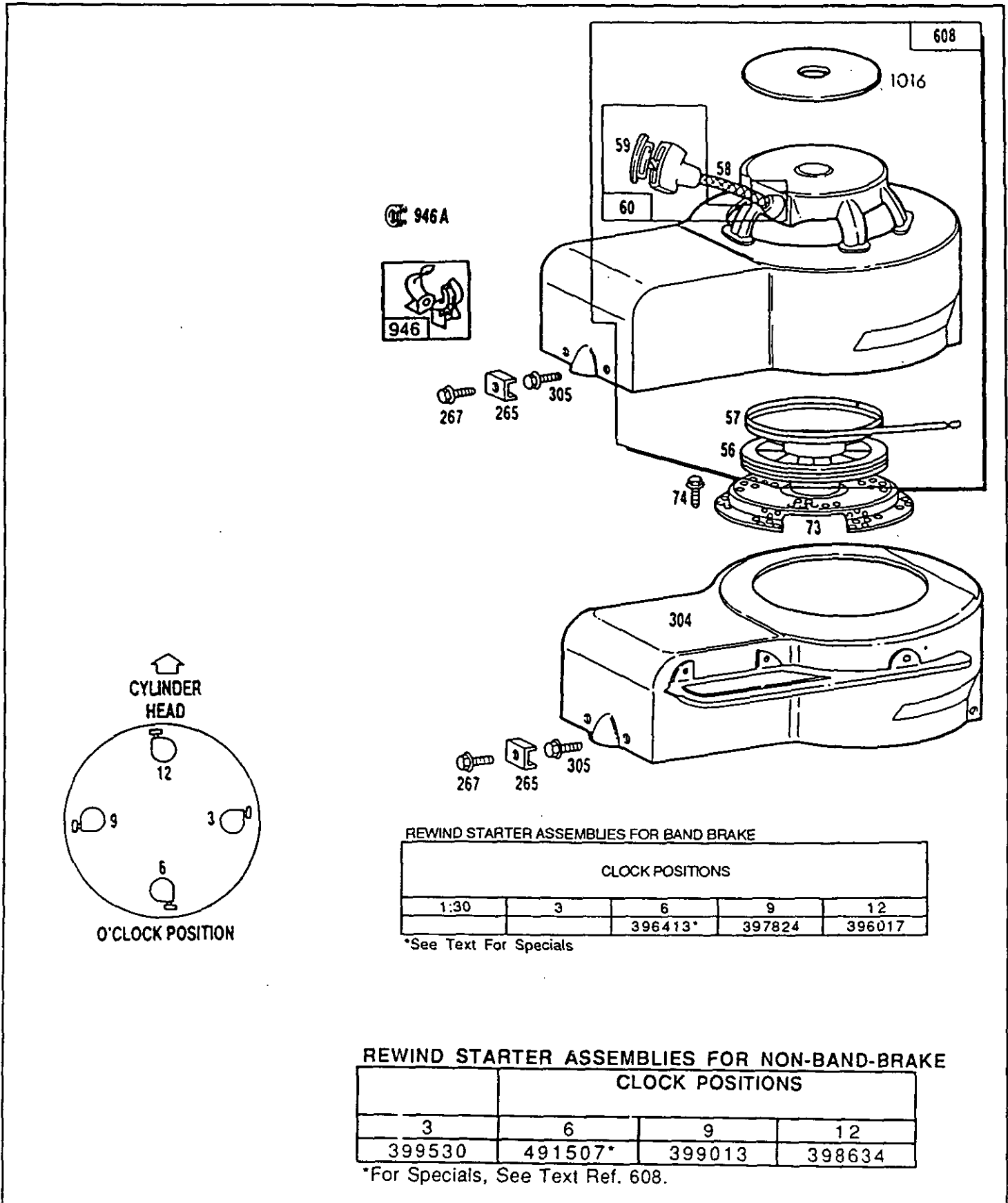


111700 to 111799





111700 to 111799



REWIND STARTER ASSEMBLIES FOR BAND BRAKE

CLOCK POSITIONS				
1:30	3	6	9	12
		396413*	397824	396017

*See Text For Specials

REWIND STARTER ASSEMBLIES FOR NON-BAND-BRAKE
CLOCK POSITIONS

CLOCK POSITIONS			
3	6	9	12
399530	491507*	399013	398634

*For Specials, See Text Ref. 608.

111700 to 111799

REF. NO.	PART NO.	DESCRIPTION	REF. NO.	PART NO.	DESCRIPTION	REF. NO.	PART NO.	DESCRIPTION
1	398677	Cylinder Assembly	18B	395392	Sump—Engine (For Clutch)	31	222282	Washer—Flat (One for Each Screw)
2	293708	Bushing—Cylinder	19	293709	Bushing—Oil Sump	32	94405	Screw—Connecting Rod
	Note:	Requires special tools for installation.		Note:	Requires special tools for installation	33	212004	Valve—Exhaust
3	299819	Seal—Oil	20	391483	Seal—Oil		Note:	261913 Valve—Exhaust Used on Type Nos. 0165, 0166, 0189, 3043, 3045, 3046, 3047, 3048, 3052, 3057, 3058.
5	212996	Head—Cylinder	20A	280266	Seal—Oil	34	261233	Valve—Intake
7	** 270836	Gasket—Cylinder Head	22	93032	Screw—Mtg. Sem	35	260552	Spring—Intake Valve
8	298383	Breather—Valve Chamber	22A	93415	Screw—Sem (One Used in Auxiliary Drive Gear Sump (on Model 111782 to 111788 Series.	36	26478	Spring—Exhaust Valve
9	** 270239	Gasket—Valve Cover	23	395653	Flywheel—Magneto		Note:	26826 Spring—Exhaust Valve Used on Type Nos. 0165, 0166, 0189, 3043, 3045, 3046, 3047, 3048, 3052, 3057, 3058.
10	93394	Screw—Breather and P.T.O. Gear Sump Cover (Ref. No. 86) Mounting Sem		Note:	393831 Flywheel—Magneto Used on Type Nos. 0164, 0174, 0183, 0188, 3041, 3053.	37	223150	Guard—Flywheel
11	231392	Tube—Breather	23A	394848	Flywheel—Magneto	40	93312	Retainer—Valve Spring Used with valves with groove in stem.
12	** 270833	Gasket—Crankcase—.015" thick (Standard)		Note:	394066 Flywheel—Magneto Used on Type No. 3051.		Note:	292259 Rotocap—Exhaust Valve 230126 Pin—Exhaust Valve Rotocap Retainer 230127 Retainer—Exhaust Valve Rotocap Used on Type Nos. 0165, 0166, 0189, 3043, 3045, 3046, 3047, 3048, 3052, 3057, 3058.
	** 270895	Gasket—Crankcase .005" thick	24	222698	Key—Flywheel			
	** 270896	Gasket—Crankcase .009" thick	25	391650	Piston Assy.—Standard			
13	93111	Screw—Cylinder Head (1-15/16" long)		391651	Piston Assy.—.010" O.S.			
	Note:	93772 Screw—Cylinder Head (1) 22963 Washer Used on Type Nos. 3042, 3049.		391652	Piston Assy.—.020" O.S.			
15	91084	Plug—Oil Drain		391653	Piston Assy.—.030" O.S.			
15A	93418	Plug—Oil Drain (Socket Head)	MODEL 111700 SERIES PISTON RING SETS:					
16	492093	Crankshaft		Note:	For Chrome Piston Ring Set—Standard Size—Order Part No. 392330.			
	Note:	To Replace Crankshaft Gear Pin, Order Part No. 230978.	26	391654	Ring Set—Standard Piston	45	261250	Tappet—Valve
		397231 Crankshaft Used on Type Nos. 0181, 0184, 0194, 0202, 0204.		391656	Ring Set—.010" O.S. Piston	46	395856	Gear—Cam
		397234 Crankshaft Used on Type No. 0190.		391658	Ring Set—.020" O.S. Piston	46A	396052	Cam Gear, Worm and Oil Slinger Assy.
		492087 Crankshaft Used on Type Nos. 0160, 0165, 0166, 0187, 0189, 0193, 0195, 0196, 0197, 0199, 0203.		391660	Ring Set—.030" O.S. Piston		Note:	396064 Cam Gear Worm, and Oil Slinger Assy. (Counter Clockwise) Used on Type Nos. 0167, 0170, 0173, 0175, 0176, 0178, 0179, 0186, 0198, 0202.
18	395384	Sump—Engine	27	26026	Lock—Piston Pin	46B	396378	Cam Gear—Oil Slinger Assembly (For Clutch)
18A	395390	Sump—Engine Used on Model 111782 to 111788 Series.	28	391649	Pin Assembly—Piston—Standard	52	** 270844	Gasket—Intake Elbow
				394861	Pin Assembly—Piston—.005" O.S.	54	93485	Screw—Intake Elbow Mounting
			29	391640	Rod Assembly—Connecting			
				Note:	For Connecting Rod with .020" undersize Crankpin Bore—order No. 393710.			

** Included in Gasket Set—Part No. 391662

111700 to 111799

REF. NO.	PART NO.	DESCRIPTION	REF. NO.	PART NO.	DESCRIPTION	REF. NO.	PART NO.	DESCRIPTION
		262074 Spring—Governor Used on Type Nos. 0163, 0167, 0169, 0170, 0171, 0178, 0179, 0180, 0181, 0182, 0184, 0185, 0186, 0196, 0197, 0203, 3042, 3049.	271	290568	Lever Assembly—Control	377	93065	Key—Woodruff No. 6
		262076 Spring—Governor Used on Type Nos. 0165, 0166, 0189, 3041, 3043, 3045, 3046, 3047, 3048, 3051, 3052, 3053, 3055, 3056, 3057, 3058.	277	22776	Washer—Flat	383	89838	Wrench—Spark Plug
		262077 Spring—Governor Used on Type Nos. 0101, 0183, 3054.	284	94073	Screw—Clamp Mounting	414	220982	Washer (Used Before Code Date 87020900.)
217	261520	Spring—Return (Clutch Lever)	300	394569	Muffler—Exhaust	423	93758	Screw—Sem
219	394044	Oil Slinger Assembly	300A	394644	Muffler—Exhaust	445	396424	Cartridge—Air Cleaner
227	491482	Lever Assy.—Governor	304	398390	Housing—Blower (Used with Band Brake.)	446	399940	Base—Air Cleaner
227A	396504	Lever Assy.—Governor		Note:	398392 Housing—Blower (Used without Band Brake.)	467	212706	Knob—Air Cleaner
228	93758	Screw—Hex. Hd.	305	94153	Screw—Blower Housing Mounting Sem	474	397880	Stator Assembly—Alternator
230	220680	Washer—Governor Crank	307	93926	Screw—Shoulder	482	94016	Screw—Hex. Hd.
236	262461	Link—Brake Lock-Out	309	398635	Motor—Starter (12 Volt)	508	93158	Screw—Sem
258	94018	Screw—Hex. Hd.		Note:	490307 Motor—Starter (12 Volt) Used on Type Nos. 3046, 3048, 3058.	510	395727	Drive Kit—Starter
265	221535	Clamp—Casing (Stamped Steel)	310	94051	Bolt—Starter Motor	513	‡394815	Clutch Assembly—Electric Starter
	Note:	213146 Clamp—Casing (Cast Aluminum)	324	223006	Screen—Rotating	523	398012	Cap with Dipstick—Oil Filler For Model 111702 and 111782 Series Except when Used on Type Nos. Listed Under Note.
267	93686	Screw—Clamp Mtg.	331	223047	Washer—Flywheel		Note:	398033 Cap with Dipstick—Oil Filler For Model 111707 111708, 111787, 111788 Series and Type Nos. 0165, 0166, 0189, 3045, 3047, 3057.
268	66986	Casing—Control Wire—48" long	332	92284	Nut—Flywheel	524	271485	Seal—Filler Tube
	Note:	If longer casing is needed, specify length in inches; if a shorter casing is needed, Order No. 66986 and cut to required length.	333	398593	Armature—Magneto	525	280504	Tube—Oil Filler For Model 111702 and 111782 Series Expect when Used on Type Nos. Listed Under Note.
269	26099	Wire—Control, 54" long	334	93381	Screw—Armature Mounting Sem		Note:	280508 Tube—Oil Filler For Model 111707 111708, 111787, 111788 Series and Type Nos. 0165, 0166, 0189, 3045, 3047, 3057.
	Note:	If longer wire is needed, specify length in inches; if shorter wire is needed, Order No. 26099 and cut to required length.	337	298809	Plug—Spark (with Gasket; 1-1/2" High—37-42 mm)			
270	63426	Locknut—Control Wire Casing	346	93705	Screw—Muffler Deflector			
			353	92791	Washer—Lock—Shakeproof			
			354	90576	Nut—Hex.—8-32			
			356	398808	Wire—Ground			
				Note:	398153 Wire—Ground Used on Type Nos. 0160, 0165, 0166, 0189.	529	280524	Grommet—Breather
			358	391662	Gasket Set	529A	280701	Grommet—Breather
			363	19069	Puller—Flywheel (Optional Accessory)	535	271466	Element—Air Cleaner
						544	398636	Armature—Starter
						548	396067	Washer Set—Starter Motor
						552	230732	Bushing—Governor

‡ Included in Starter Drive Kit—Part No. 395727

111700 to 111799

REF. NO.	PART NO.	DESCRIPTION	REF. NO.	PART NO.	DESCRIPTION	REF. NO.	PART NO.	DESCRIPTION
562	92613	Screw—Governor Lever	634	*†	Washer—Throttle Shaft (Sold in Kit Only)	784	‡ 223123	Cover—Electric Starter Clutch Gear
575	396291	Switch—Ignition				785	‡ 271457	Gasket—Electric Starter Clutch Gear Cover
587	220162	Clip—Shield Grounding	634A	*†	Seal—Choke (Sold in Kit Only)	789	397916	Harness—Wiring Used on Engines Without Band Brake
592	231082	Nut—Hex.	635	66538	Elbow—Spark Plug			Note: 397637 Harness—Wiring Used on Engines With Band Brake
592A	93991	Nut—Hex	642	223306	Cover—Air Cleaner	801	398244	Motor Output End Cover and Mounting Bracket
601	93053	Clamp—Hose	655	222057	Anchor—Spring			Note: 490301 Motor Output End Cover and Mounting Bracket Used on Type Nos. 3046, 3048, 3058.
608		Starter Assembly—Rewind See Chart on Illustrated Pages.	670	280512	Spacer—Fuel Tank	802	396061	Cap Assembly—End
		Note: 398754 Starter Assy.—Rewind (Electric-6 o'clock) Used on Type Nos. 0162, 0163, 0167, 0176, 0179, 0195, 0196, 0198, 0199, 0203. 490288 Starter Assy.—Rewind (Electric-10 o'clock) Used on Type Nos. 3046, 3048, 3058. 491120 Starter Assy.—Rewind (Electric 6 O'Clock) Used On Type No. 3051.	674	94117	Screw—Bracket Mtg.	803	396059	Housing—Starter
			676	393760	Deflector—Muffler	832	399637	Guard—Muffler
			676A	393756	Deflector—Muffler	842	270920	Seal—Filler Cap
			676B	396548	Deflector—Muffler	847	398010	Filler Group—Oil Used on Model 111702 and 111782 Series Except when Used on Type Nos. Listed Under Note.
			681	490549	Valve Assembly—Needle			Note: 398031 Filler Group—Oil Used on Model 111707, 111708, 111787, 111788 Series and Type Nos. 0165, 0166, 0189, 3045, 3047, 3057.
			720	93474	Pin—Gear to Shaft	851	221798	Terminal—Ignition Cable
			721	221779	Stop—Drive Shaft	852	396397	Cleaner Group—Air
			725	223725	Shield—Heat	869	211172	Seat—Intake Valve (Standard) (Used After Code Date 88073100.)
			725A	224451	Shield—Bracket			Note: 210879 Seat—Intake Valve (Used Before Code Date 88080100.)
			729	280470	Clip—Wire	870	211291	Seat—Exhaust Valve (Standard)
			741	261533	Gear—Timing	871	231349	Guide—Exhaust Valve
			742	93525	Ring—Retaining			Note: 63709 Guide—Intake Valve
			742A	93925	Ring—Retaining (Clutch Lever)			
			764	398753	Starter Assembly—Vertical Pull			
			765	398683	Housing—Vertical Pull Starter			
			766	280022	Pulley—Rope (Small)			
			767	231048	Pin—Small Rope Pulley (7/16" long)			
613	93935	Screw—Muffler Mtg.	768	395870	Pulley and Gear Assembly—Starter			
614	93306	Pin—Cotter	769	66734	Rope—Vertical & Side Pull Starter (48-5/8")			
615	93307	Retainer—E-Ring			Note: If longer rope is needed, order No. 280399 and cut to required length.			
616	491405	Crank—Governor	771	299961	Clip—Vertical Pull Starter			
616A	394075	Crank—Governor	774	280121	Insert—Starter Handle			
617	*† 270344	Seal—Fuel Intake Tube	775	280036	Grip—Starter Rope			
618	262035	Spring—Choke	776	222049	Guide—Rope			
620	398637	Plate—Carburetor Control Used on Model 111702 and 111782 Series.	777	390066	Spring—Vertical Pull Starter			
		Note: 399392 Manual Friction Control Use with 398637 on Type No. 0164.	778	280021	Cover—Vertical Pull Starter Pulley			
620A	398450	Plate—Carburetor Control Used on Model 111707, 111708, 111787, 111788, Series.	782	‡ 280038	Gear—Electric Starter Spur			
621	396847	Switch Assembly—Stop	783	‡ 261606	Gear—Electric Starter Pinion			
625	397973	Tube—Fuel Intake						

* Included in Carburetor Overhaul Kit—See Ref 121

† Included in Carburetor Gasket Set—Part No. 398183

‡ Included in Starter Drive Kit—Part No. 395727

111700 to 111799

REF. NO.	PART NO.	DESCRIPTION	REF. NO.	PART NO.	DESCRIPTION	REF. NO.	PART NO.	DESCRIPTION
		See Repair Instruction Manual.			280511 Cover—Finger-Gard Used On Type No. 3056.	991	399039	Prefilter
901	398368	Bracket—Bell Crank				998	399634	Power Trac Kit
901A	223530	Bracket—Bell Crank (Used Before Code Date 87020900.)	949B	280571	Cover—Finger-Gard Used on Model 111707 and 111787 Series and Used on Type Nos. 0162, 0163, 0165, 0166, 0168, 0170, 0189, 3045, 3047, 3057.	1012	280414	Retainer—Link
902	280271	Grommet—Screen				1016	490817	Spacer
906	261650	Spring—Torsion				1019	491081	Label Kit
907	394871	Sleeve Assy.—Clutch						
908	231220	Gear—Worm						
	Note:	231219 Gear—Worm (Counterclockwise) Used on Type Nos. 0161, 0162.	955	231373	Screw—Bowl Mtg.			
909	271417	Washer—Thrust	955A	231534	Retainer—Needle Valve			
909A	271418	Washer—Thrust	957	397974	Cap Assy.—Fuel			
909B	271312	Washer—Thrust	958	399517	Valve—Fuel Shut-Off			
910	394051	Lever Assy.—Clutch	959	399937	Bracket—Fuel Tank			
911	223009	Control Bracket—Clutch	960	399938	Bracket—Fuel Tank			
914	93970	Screw—Bracket Mtg.	961	93032	Screw—Tank Mounting			
922	261647	Spring—Band Brake	961A	93847	Screw—Tank Mounting			
923	394867	Brake Assembly—Band	961B	93980	Screw—Tank Mounting			
933	223278	Spacer	962	231277	Bushing—Stator			
933A	223448	Pivot—Band Brake	966	399059	Base—Air Cleaner			
934	94037	Screw—Mounting		Note:	492650 Base—Air Cleaner Used on Type Nos. 0199, 0200, 0201, 0202, 0203, 0204.			
935	398758	Switch Group	967	397795	Filter—Air			
937	‡ 280366	Spline—Starter	968	280501	Cover—Air Cleaner			
938	‡ 93941	Ring—Retainer	969	94173	Screw—Cover Mtg.			
942	493248	Control Plate	970	94118	Screw—Hex. Hd.			
	Note:	398759 Control Plate Used on Type Nos. 3036, 3046, 3048, 3051, 3056, 3058. 493249 Control Plate Used on Model 111707 Series. Except as listed above.	971	94121	Screw—Air Cleaner			
946	396526	Rope Guide Kit	971A	94256	Screw—Air Cleaner			
946A	223294	Stop—Rope	972		Tank Assy.—Fuel			
948	397803	Wire Assembly			See Chart on Illustrated Pages			
949	280502	Cover—Finger-Gard (Rewind) Used on Model 111702 and 111782 Series.	972A		Tank Assy.—Fuel			
949A	280510	Cover—Finger-Gard Used on Model 111708 and 111788 Series			See Chart on Illustrated Pages			
	Note:	280509 Cover—Finger-Gard Used on Engines with Electric Start Only.	972B	490809	Tank Assy.—Fuel Used on Type Nos. 0165, 0166, 0189, 3045, 3046, 3047, 3048, 3057, 3058.			
			973	94114	Screw—Hex. Hd.			
			975	398191	Bowl Assy.—Carburetor			
			977	490937	Gasket Set—Carburetor			
			985	398525	Insulator Assembly			
			988	223600	Bracket—Guard Mtg.			

‡ Included in Starter Drive Kit—Part No. 395727



BRIGGS & STRATTON

®