

111900 to 111999

Illustrated Parts List

Model Series

111900 to 111999

TYPE NUMBERS
0010 through 0018
0100 through 0161

TO FIND

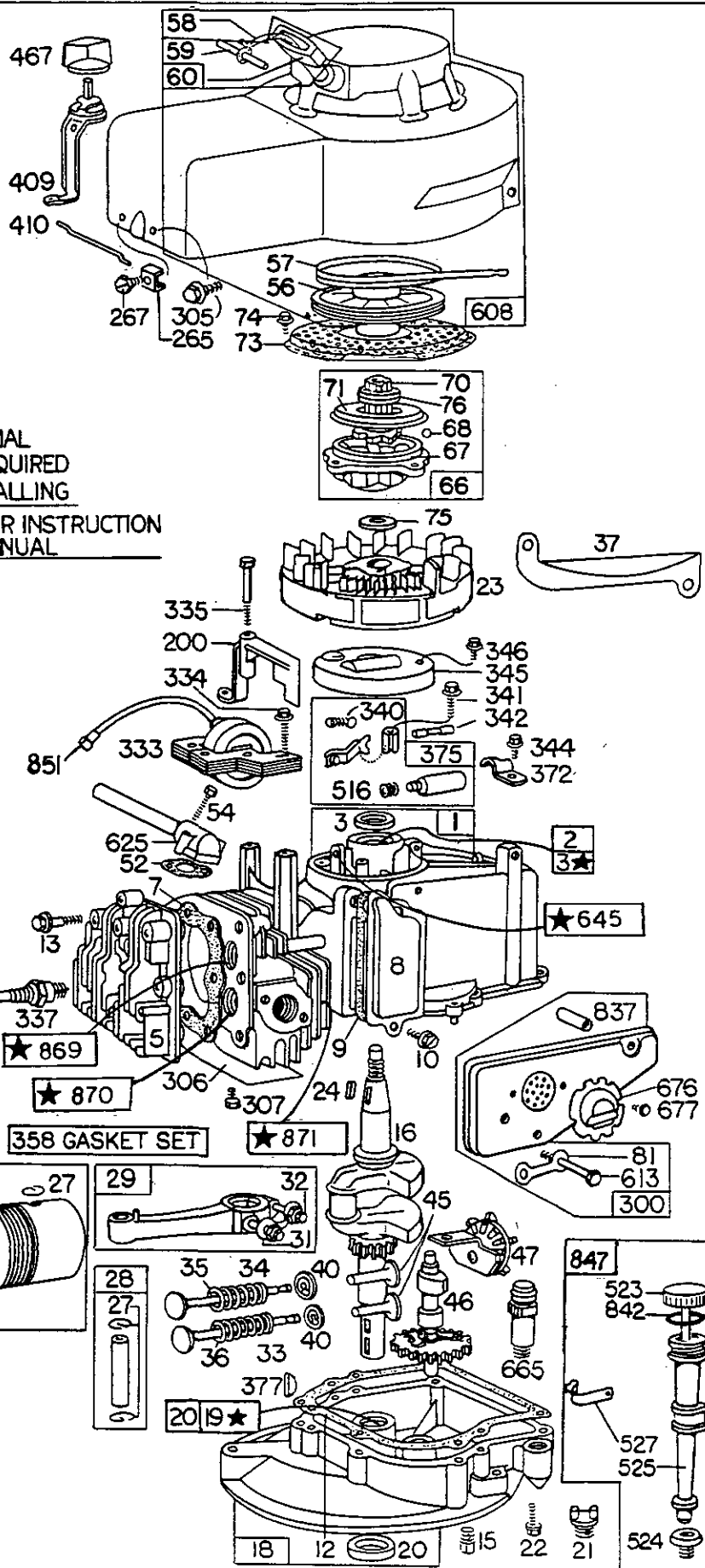
THE CORRECT NUMBER OF THE PART YOU NEED:

FOLLOW THE INSTRUCTIONS BELOW:

- A. Refer to Engine Model, Type and Code Number that is stamped on the blower housing or nameplate of engine. Engine type numbers such as 0147 01 are listed herein only as 0147. The two digits (01 or 02, etc.) to the right of the space are not needed for parts identification. Then use the Illustrated Parts List covering these Model Series.
- B. Refer to Illustrated Parts section and compare the old part with illustration. The number on the illustration is the Reference Number. Assemblies include all parts shown in frames. All parts shown in assembly frames on which individual reference numbers are given can be purchased separately.
- C. After the Reference Number has been identified, refer to the Numerical Parts List, where Reference and Master Part Numbers are listed. **THE MASTER PART IS USED ON ALL TYPE NUMBERS EXCEPT THOSE TYPE NUMBERS UNDER "NOTE"**.
- D. If a "Note" appears below the Master Part Number, this means that this part differs from the Master Part for certain types. If the Type Number is listed under "Note", order the part referred to.
- E. If the Engine Type Number does not appear after any part number listed under "Note", use the Master Part Number.
- F. For Type Numbers higher than those covered by this book, please refer to the factory if you are unable to identify the part by comparison.



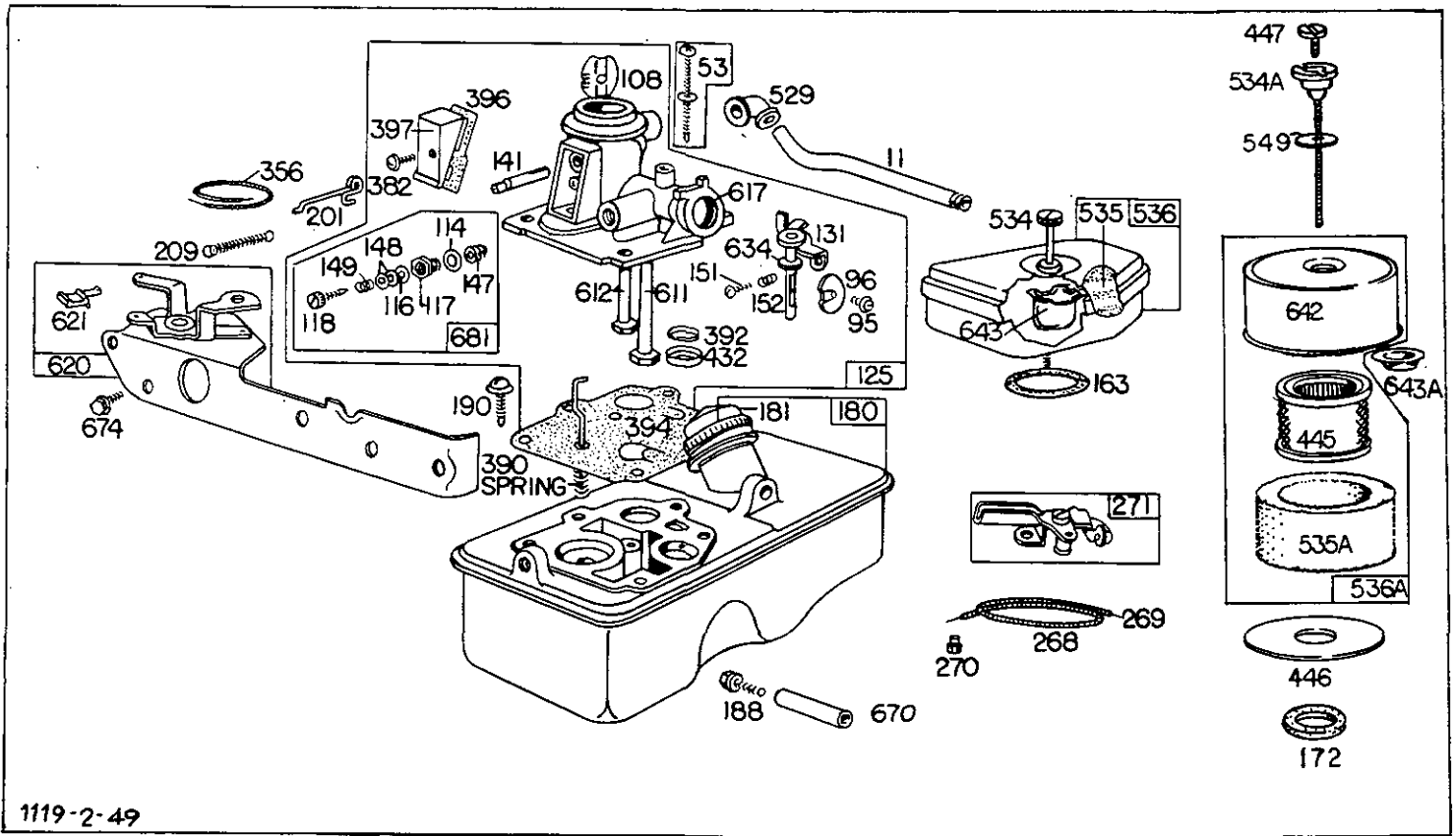
111900 to 111999



1119-1-49

Assemblies include all parts shown in frames.

111900 to 111999



1119-2-49

Assemblies include all parts shown in frames.

111900 to 111999

REF. NO. I - 66

REF. NO.	PART NO.	DESCRIPTION	REF. NO.	PART NO.	DESCRIPTION	REF. NO.	PART NO.	DESCRIPTION	
1	391639	Cylinder Assembly		261344	Crankshaft		391658	Ring Set—.020" O. S. Piston	
2	293708	Bushing—Cylinder		Uses:			391660	Ring Set—.030" O. S. Piston	
	Note:	Requires special tools for installation.		220708	Shim—Crankshaft, Thrust	27	26026	Lock—Piston Pin	
3	299819	Seal—Oil		Used on type No. 0112.	28	391649	Pin Assembly—Piston—Standard		
5	211851	Head—Cylinder		261349	Crankshaft	29	391640	Rod Assembly—Connecting	
7	*270836	Gasket—Cylinder Hd.		Used on type Nos. 0133, 0134, 0146.		Note:	For Connecting Rod with .020" undersize Crankpin Bearing — order No. 393710.		
8	298383	Breather—Valve Chamber	18	391644	Sump—Oil				
9	*270239	Gasket—Valve Cover		Note:	391646	Sump—Oil			
10	93394	Screw—Breather Mtg. Sem		Used on type Nos. 0111, 0112.					
11	231043	Tube—Breather	18A	391645	Sump—Oil	31	222390	Lock—Connecting Rod Screw	
12	270833	Gasket—Crankcase—.015" thick (Standard)		Used on type Nos. 0124, 0143.	32	93670	Screw—Connecting Rod		
	270895	Gasket—Crankcase—.005" thick	19	293709	Bushing—Oil Sump	33	212004	Valve—Exhaust	
	270896	Gasket—Crankcase—.009" thick		Note:	Requires special tools for installation.	34	261233	Valve—Intake	
13	93111	Screw—Cylinder Hd. (1-15/16" long)	20	391483	Seal—Oil	35	260552	Spring—Intake Valve	
15	91084	Plug—Oil Drain		Note:	391485	Seal—Oil (Crankshaft—P. T. O. Side)	36	26478	Spring—Exhaust Valve
	Note:	93418 Plug—Oil Drain (Socket Head)		Used on type Nos. 0111, 0112.		37	222590	Guard—Flywheel	
		Used on type Nos. 0015, 0016, 0017, 0018, 0130, 0135, 0137, 0141, 0144, 0151, 0152, 0157, 0159, 0160, 0161.	21	66768	Plug—Oil Filler	40	93312	Retainer—Valve Spring	
16	261324	Crankshaft	22	93032	Screw—Sump Mtg. Sem	45	261250	Tappet—Valve	
	Note:	261340 Crankshaft	22A	93415	Screw—Sump Mtg. Sem (One used in Auxiliary Drive Gear Sump)	46	392171	Gear—Cam	
		Used on type Nos. 0016, 0102, 0118, 0136, 0154, 0156.		Note:	Use 93032 Screw in the other (5) Sump Mounting Holes.		Note:	392275 Gear—Cam Used on type Nos. 0111, 0112.	
		261341 Crankshaft	23	296884	Flywheel—Magneto	46A	392694	Cam Gear, Worm and Oil Slinger Assy.	
		Used on type Nos. 0017, 0103, 0130, 0142, 0153, 0161.	24	61760	Key—Flywheel		Note:	392695 Cam Gear, Worm and Oil Slinger Assembly Used on type No. 0143.	
		261342 Crankshaft	25	391650	Piston Assy. — Standard	47	294652	Oil Slinger Gear and Bracket	
		Used on type Nos. 0018, 0104, 0124, 0131, 0135, 0138, 0139, 0141, 0143, 0149, 0155, 0160.		391651	Piston Assy. — .010" O. S.	52	*270844	Gasket—Intake Elbow	
		261343 Crankshaft		391652	Piston Assy. — .020" O. S.	53	391982	Screw—Tank to Carburetor	
		Uses:		391653	Piston Assy. — .030" O. S.	54	93485	Screw—Intake Elbow Mounting	
		220708 Shim—Crankshaft, Thrust		PISTON RING SETS:		56	280117	Pulley—Rewind Starter	
		Used on type No. 0111.	26	391654	Ring Set—Standard Piston	57	294303	Spring—Rewind Starter	
				391656	Ring Set—.010" O. S. Piston	58	66694	Rope—Rewind Starter—47-1/8" long	
							Note:	If longer rope is needed, order No. 66684 and cut to required length.	
						59	230228	Pin—Starter Rope	
						60	393152	Grip—Starter Rope	
						66	298310	Clutch Assy. —Rewind Starter	

* Included in Gasket Set—Part No. 391662.

REF. NO.	PART NO.	DESCRIPTION	REF. NO.	PART NO.	DESCRIPTION	REF. NO.	PART NO.	DESCRIPTION		
67	212131	Housing—Starter Clutch	188	93585	Screw—Fuel Tank and Starter Mounting			shorter wire is needed, order No. 26099 and cut to required length.		
68	63770	Ball—Clutch	190	93440	Screw—Fuel Tank Mtg.	270	63426	Locknut—Control Wire Casing		
69	66874	Washer—Thrust	200	68388	Blade—Governor	271	290568	Lever Assembly Control		
	Note:	68938 Washer—Thrust Used on type No. 0143.	201	260878	Link—Governor	300	391492	Muffler—Exhaust		
70	298436	Ratchet—Rewind Starter	209	260875	Spring—Governor		Note:	391435 Muffler—Exhaust Used on type No. 0130, 0149.		
71	221653	Washer—Clutch Retainer		Note:	260876 Spring—Gov. Used on type Nos. 0018, 0131, 0135, 0141, 0155.	305	93559	Screw—Blower Housing Mtg. Sem		
73	221661	Screen—Rewind Starter			260877 Spring—Governor Used on type Nos. 0016, 0017, 0130, 0138, 0140, 0160, 0161.	306	222394	Shield—Cylinder		
74	93490	Screw—Sem			261034 Spring—Governor Used on type Nos. 0139, 0158.	307	93490	Screw—Cylinder Shield Mtg. Sem		
75	220865	Washer—Spring			261060 Spring—Governor Used on type No. 0144.	333	298502	Armature—Magneto		
76	68238	Washer—Ratchet Sealing			261061 Spring—Governor Used on type Nos. 0153, 0157.	334	93381	Screw—Armature Mounting Sem		
81	222237	Lock—Muffler Screw			261105 Spring—Governor Used on type Nos. 0150, 0152.	335	93435	Screw—Armature and Governor Blade		
83	230831	Shaft—Drive			261106 Spring—Governor Used on type No. 0149.	337	298809	Plug—Spark (with gasket) 1-1/2" high— (37 & 42 mm.)		
83A	230856	Gear—Drive			265	22372	Clamp—Casing	Note: Spark Plugs use Ignition Cable Terminal No. 221798.		
	Note:	230906 Gear—Drive Used on type No. 0143.			267	93469	Screw—Clamp Mtg.	293918 Plug—Spark (with gasket) 1-1/2" high (Resistor Type)		
86	221780	Cover—Sump			268	66986	Casing—Control Wire—48" long	340	26018	Spring—Breaker Arm
87	391484	Seal—Oil			Note:		If longer casing is needed, specify length in inches; if a shorter casing is needed, order No. 66986 and cut to required length.	341	93381	Screw—Breaker Arm Mounting Sem
88	270328	Gasket—Sump Cover						342	65704	Plunger—Breaker Point
95	93499	Screw—Throttle Valve Mounting Sem						344	93042	Screw—Condenser Clamp Mtg. Sem
96	211237	Valve—Throttle						345	220366	Cover—Breaker Point and Condenser
108	298819	Valve—Choke						346	93705	Screw—Dust Cover Mounting
114	66594	Gasket—Needle Valve Nut						356	298479	Wire—Ground
116	65978	Packing—Needle Valve						358	391662	Gasket Set
117	230590	Nut—Needle Valve						372	220477	Clamp—Condenser
118	23433	Valve—Needle						375	294628	Breaker Points and Condenser Set
125	391642	Carburetor Assembly						Note:	299061 Ignition Kit Includes: 294628 Point Set	
131	299977	Shaft and Lever—Throttle	269	26099	Wire Control, 54" long					
141	68908	Shaft—Choke								
147	231049	Seat—Needle Valve								
148	22235	Washer—Needle Valve (2)								
149	26336	Spring—Needle Valve								
151	93524	Screw—Rd. Hd. — 5-40 x 1/2								
152	260746	Spring—Throttle Adj.								
163	271139	Gasket—Air Cleaner Mounting								
172	271077	Gasket—Air Cleaner								
180	391694	Tank Assembly—Fuel								
181	298425	Cap—Fuel Tank								

REF. NO.	PART NO.	DESCRIPTION	REF. NO.	PART NO.	DESCRIPTION	REF. NO.	PART NO.	DESCRIPTION
		65704 Plunger			Used on type Nos.	613	93549	Screw—Muffler Mtg.
		61760 Key—Flywheel			0130, 0140, 0149.	617	270344	Seal—Fuel Intake Tube
377	93065	Key—Woodruff No. 6			392311 Starter Assy. —	620	391442	Plate—Carburetor
382	93545	Screw—Choke Link			Rewind			Control
		Cover			(6 o'clock)			Note: 391503 Plate—
390	261249	Spring—Diaphragm			Used on type No.			Carburetor Control
392	260455	Spring—Fuel Pump			0131.			Used on type Nos.
		Diaphragm			392333 Starter Assy. —			0015, 0016, 0017,
394	391643	Diaphragm—Carburetor			Rewind			0018, 0133, 0134,
396	270571	Gasket—Choke Link			(4 o'clock)			0137, 0149, 0161.
		Cover			Used on type Nos.	621	297472	Switch—Stop
397	211678	Cover—Choke Link			0133, 0134, 0136,	625	391377	Tube—Fuel Intake
409	391590	Control—Dial			0144, 0145, 0152,	634	270167	Washer—Throttle
410	260993	Link—Control			0153, 0155, 0160.			Shaft (Felt)
423	93599	Screw—Sem			392389 Starter Assy. —	635	66538	Elbow—Spark Plug
432	221377	Cap—Spring			Rewind	642	222626	Cover—Air Cleaner
445	392308	Cartridge—Air Cleaner			(12 o'clock)	643	221321	Cup—Air Cleaner
446	222844	Base—Air Cleaner			Used on type No.	643A	222594	Cup—Air Cleaner
447	93817	Screw—Cover Mtg.			0154.	645	23513	Bushing—Plunger
467	299858	Knob—Dial Control			392597 Starter Assy. —	665	296768	Oil Minder
516	260374	Spring—Connector			Rewind (10 o'clock)	670	211740	Spacer—Fuel Tank
523	391838	Cap with Dipstick			Used on type Nos.	674	93559	Screw—Tank to
524	68838	Seal—Filler Tube			0135, 0147, 0148,			Bracket
525	280131	Tube—Oil Fill			0150, 0151, 0156,	676	222238	Deflector—Muffler
527	222549	Clamp—Oil Filler Tube			0157, 0159, 0161.	677	93705	Screw—Muffler
529	67838	Grommet—Breather			392787 Starter Assy. —			Deflector
534	93374	Screw—Air Cleaner			Rewind (3 o'clock)	681	299060	Needle—Valve Kit
534A	93818	Screw—Air Cleaner			Used on type Nos.	720	93474	Pin—Gear to Shaft
		(Internal)			0017, 0141.	721	221779	Stop—Drive Shaft
535	270848	Element—Air Cleaner			392793 Starter Assy. —	837	222241	Spacer—Muffler Mtg.
535A	270979	Element—Air Cleaner			Rewind (12 o'clock)	842	270920	Seal—Filler Cap
536	391641	Cleaner Assy. —Air			Used on type Nos.	847	392056	Filler Group—Oil
536A	392368	Cleaner Assy. —Air			0015, 0018, 0132,	851	221798	Terminal—Ignition
549	270978	Washer (Below			0137, 0138, 0142,			Cable
		Internal Screw Head)			0143.	869	210879	Seat—Intake Valve
608	392799	Starter Assy. —Rewind	611	297219	Pipe—Fuel (long)			(Standard)
		(1:30 o'clock)	612	296811	Pipe—Fuel (short)	870	211291	Seat—Exhaust Valve
		Note: 392787 Starter Assy. —						(Standard)
		Rewind				871	63709	Guide—Exhaust Valve
		(3 o'clock)						

