

112200 to 112299

Illustrated Parts List

Model Series

112200 to 112299

TYPE NUMBERS

0016, 0035, 0036, 0038,
0049, 0101, 0110, 0111,
0112, 0116 and 0117,
0116 through 0117,
0516 through 0617,
0630 through 0670,
0686 through 0693,
0700 through 0708,
0711 and 0714.

TO FIND

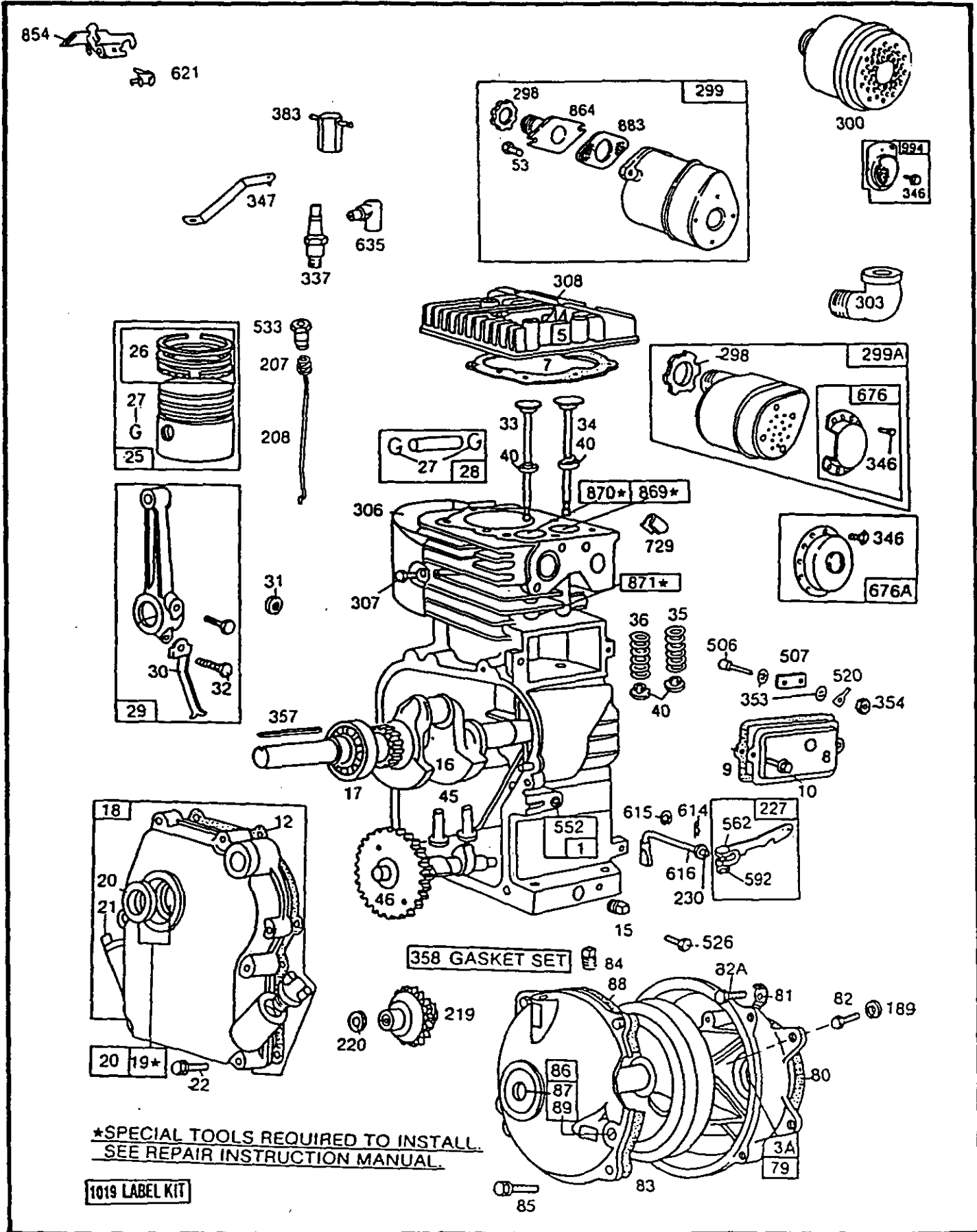
**THE CORRECT NUMBER OF THE PART YOU NEED:
FOLLOW THE INSTRUCTIONS BELOW**

- A. Refer to Engine Model, Type and Code Number that is stamped on the blower housing of engine. Engine type numbers such as 012301 are listed herein only as 0123. The two digits (01 or 02, etc.) to the right of the space are not needed for parts identification. Then use the Illustrated Parts List covering the Model Series.
- B. Refer to Illustrated Parts section and compare the old part with illustration. The number on the illustration is the Reference Number. Assemblies include all parts shown in frames. All parts shown in assembly frames on which individual reference numbers are given can be purchased separately.
- C. After the Reference Number has been identified, refer to the Numerical Parts List, where Reference and Master Part Number are listed. **THE MASTER PART IS USED ON ALL TYPE NUMBERS EXCEPT THOSE TYPE NUMBERS UNDER "NOTE."**
- D. If a "Note" appears below the Master Part Number, this means that this part differs from the Master Part for certain types. If the Type number is listed under "Note," order the part referred to.
- E. If the Engine Type Number does not appear after any part number listed under "Note," use the Master Part Number.
- F. For Type Numbers higher than those covered by this book, please refer to the factory if you are unable to identify the part by comparison.

BRIGGS & STRATTON

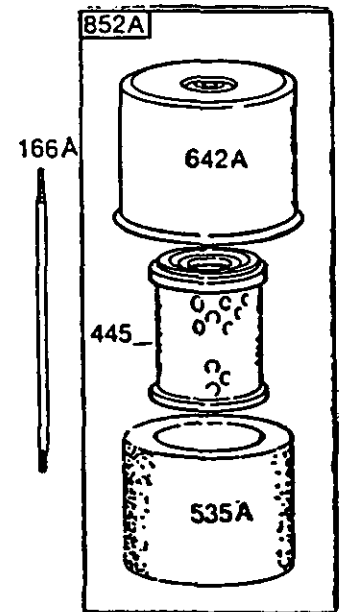
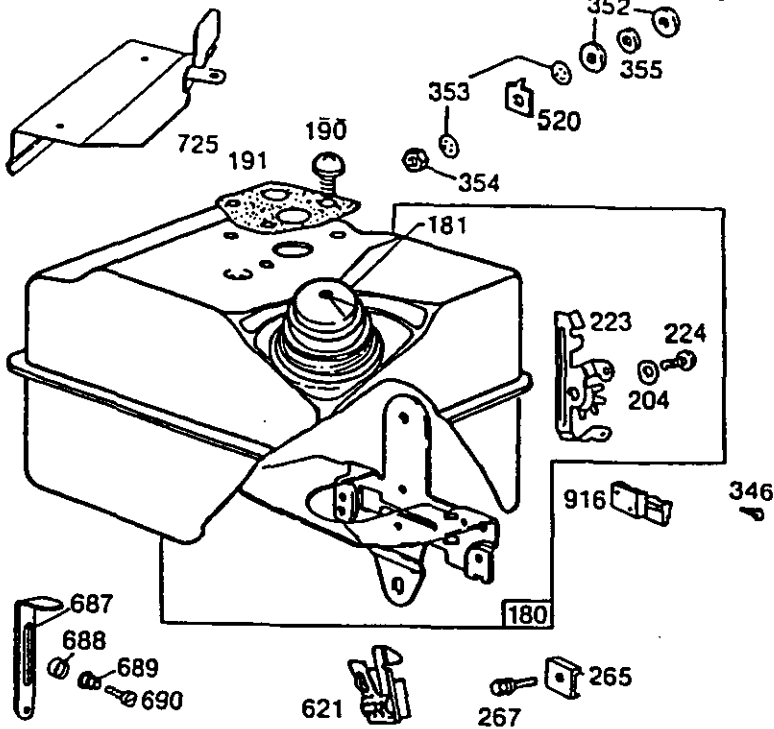
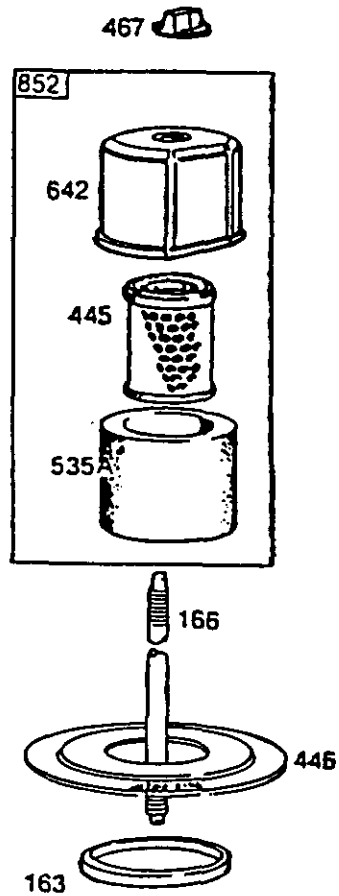
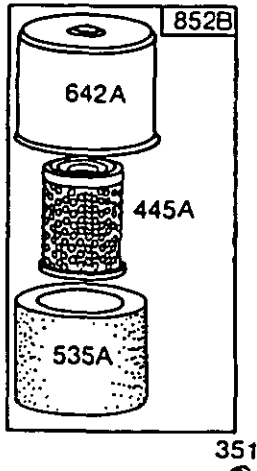
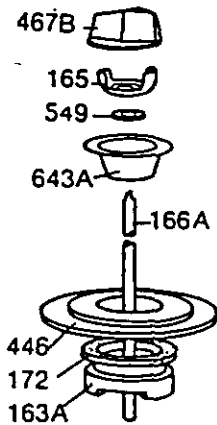
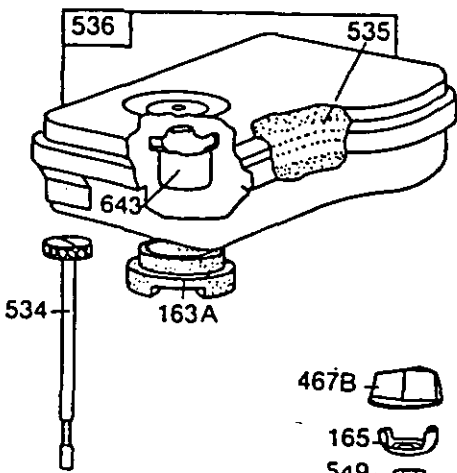
®

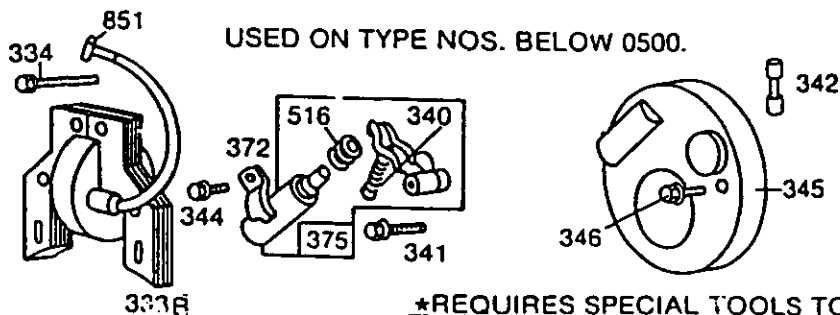
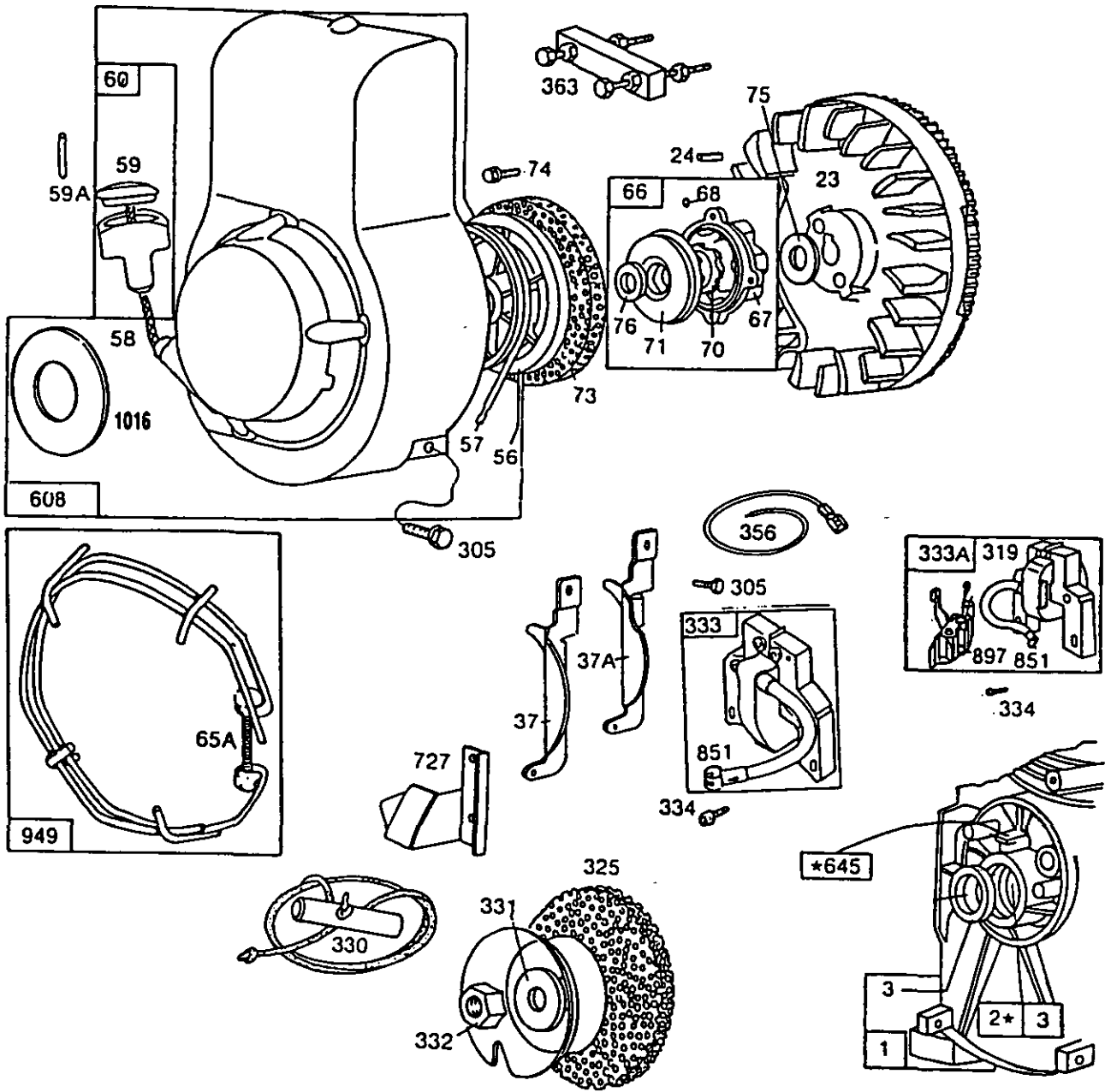
112200 to 112299



***SPECIAL TOOLS REQUIRED TO INSTALL.
SEE REPAIR INSTRUCTION MANUAL.**

1019 LABEL KIT

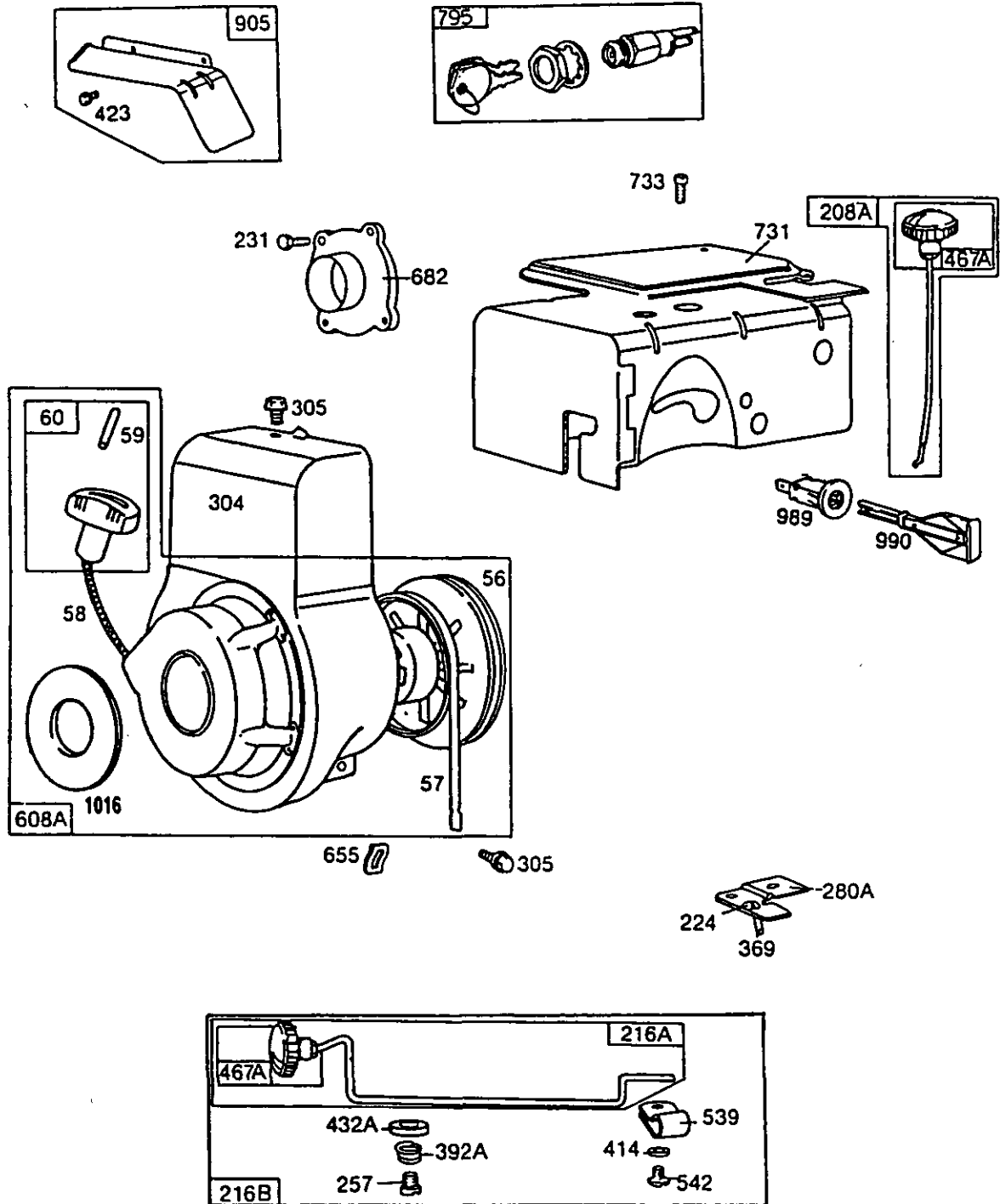




USED ON TYPE NOS. BELOW 0500.

***REQUIRES SPECIAL TOOLS TO INSTALL.
SEE REPAIR INSTRUCTION MANUAL.**

112200 to 112299



112200 to 112299

REF. NO.	PART NO.	DESCRIPTION	REF. NO.	PART NO.	DESCRIPTION	REF. NO.	PART NO.	DESCRIPTION		
1	395970	Cylinder Assembly Used on Type Nos. above 0500. Note: 395971 Cylinder Assy. Used on Type Nos. below 0500.			94111 Cap—Pipe Used On Type No. 0693.			Note: 394879 Cover Assy.— Crankcase Used on Model 112292 Series.		
2	293708	Bushing—Cylinder Note: Requires special tools for installation.	16	261703	Crankshaft (Used After Code Date 82073100). 261414 Crankshaft (Used Before Code Date 82080100).			394909 Cover Assy.— Crankcase Used on Model 112212, 112252 Series. See No. 395466 Cover Assembly for Exceptions		
3	393862	Seal—Oil		Note: 261374 Crankshaft Used on Type Nos. 0036, 0536, 0708.			395259 Cover Assy.— Crankcase Used on Model 112221, 112231, 112232 Series.			
5	211851	Head—Cylinder		261400 Crankshaft Used on Type Nos. 0038, 0152, 0538, 0637, 0647, 0689.			395466 Cover Assy.— Crankcase Used on Type Nos. 0648, 0700.			
6	22963	Washer—Flat		261402 Crankshaft Used on Type No. 0144.			491141 Cover Assy.— Crankcase Used on Type No. 0714.			
7	* 270836	Gasket—Cylinder Head		261405 Crankshaft Used on Type Nos. 0035, 0112, 0139, 0140, 0143, 0145, 0149, 0150, 0153, 0154, 0155, 0157, 0158, 0159, 0161, 0163, 0535, 0563, 0573, 0612, 0630, 0633, 0639, 0640, 0642, 0644, 0646, 0649, 0650, 0652, 0653, 0657, 0658, 0661, 0662, 0663, 0691.			19	293708	Bushing Assembly— Crankcase Cover (Includes 220538 Bushing) Note: Bushings require special tools for installation.	
8	294178	Breaker—Valve Chamber		261406 Crankshaft Used on Type Nos. 0016, 0516.			20	393862	Seal—Oil Note: 391484 Seal—Oil Used on the Auxiliary P.T.O. Shaft on Model 112292 Series. 392838 Oil Seal and Spacer Used on Type Nos. 0523, 0635, 0654, 0655, 0656, 0660, 0668, 0669, 0690, 0705, 0711. 392986 Seal—Oil Used on Type Nos. 0648, 0700.	
9	* 27549	Gasket—Valve Cover		261412 Crankshaft Used on Type Nos. 0049, 0116, 0549, 0616, 0636, 0670, 0704.					393812 Seal—Oil Used on Type Nos. 0035, 0036, 0038, 0112, 0139, 0140, 0143, 0144, 0145,	
10	93394	Screw—Breather Mounting Sem		261603 Crankshaft Used on Type Nos. 0648, 0700.						
11	66578	Grommet—Breather Tube		262030 Crankshaft Used On Type Nos. 0666, 0687, 0714.						
12	* 270833	Gasket—Crankcase— .015" thick (Standard)								
	* 270895	Gasket—Crankcase— .005" thick								
	* 270896	Gasket—Crankcase— .009" thick								
13	93111	Screw—Cylinder Head (1-15/16" long) Note: 93583 Stud—Cylinder Head 231186 Spacer 93772 Stud—Cylinder Head 22963 Washer Used on Type Nos. 0158, 0634, 0639, 0641. 93772 Stud—Cylinder Head 22963 Washer Used on Type Nos. 0116, 0133, 0149, 0151, 0648, 0650, 0665, 0700, 0701. 93772 Stud—Cylinder Head (2) Used on Type No. 0701.	17	99158	Bearing—Ball					
			18	394820	Cover Assembly— Crankcase Used on Model 112202 Series.					
15	91249	Plug—Pipe, 1/4" Std., Square Head Note: 93448 Plug—Oil Drain (Socket Head) 94105 Pipe—Drain								

* Included in Gasket Set—Part No. 397147

112200 to 112299

REF. NO.	PART NO.	DESCRIPTION	REF. NO.	PART NO.	DESCRIPTION	REF. NO.	PART NO.	DESCRIPTION
		0149, 0150, 0152, 0153, 0154, 0155, 0157, 0158, 0159, 0161, 0163, 0535, 0536, 0538, 0563, 0573, 0612, 0630, 0633, 0637, 0639, 0640, 0642, 0644, 0646, 0647, 0649, 0650, 0652, 0653, 0657, 0658, 0661, 0662, 0664, 0689, 0691, 0708.	27	26026	Lock—Piston Pin	66	399671	Clutch Assembly— Rewind Starter
			28	391649	Pin Assembly—Piston— Standard	67	394897	Housing—Starter Clutch
			29	392939	Rod Assy.—Connecting Note: For Connecting Rod with .020" undersize Crankpin Bearing— order No. 393710.	68	63770	Ball—Clutch
			30	220670	Dipper—Connecting Rod	69	66718	Washer—Thrust
			31	222282	Washer—Connecting Rod Screw (One for Each Screw)	70	298799	Ratchet—Rewind Starter
21	66768	Plug—Oil Filler	32	94405	Screw—Connecting Rod	71	394506	Washer—Clutch Retainer (Rubber Coated) Note: 221653 Washer—Clutch Retainer (Non-Coated)
22	93032	Screw—Crankcase Cover Mounting Sem Note: 92747 Screw— Crankcase Mounting Sem Used in two top holes to mount cover Used on Model 112212 and 112252 Series. 93658 Stud 90832 Washer—Lock Used to Mount Crankcase Cover on Type Nos. 0148, 0645, 0666, 0687, 0703, 0707.	33	212004	Valve—Exhaust Note: 261912 Valve—Exhaust Used on Type No. 0647.	73	221661	Screen—Rotating
			34	261233	Valve—Intake	74	93490	Screw—Rotating Screen Mounting Sem Note: 93808 Screw—Rotating Screen Mounting Sem Used on Type Nos. 0651, 0652.
			35	260552	Spring—Intake Valve	75	220865	Washer—Spring
			36	26478	Spring—Exhaust Valve Note: 26826 Spring—Exhaust Valve Used on Type No. 0647.	76	68238	Washer—Ratchet
			37	223087	Guard—Flywheel	79	290779	Case Assembly—Gear
			37A	223104	Guard—Flywheel (For Electric Starter)	80	27667	Gasket—Gear Case
			40	93312	Retainer—Valve Spring Note: 292259 Rotocap— Exhaust Valve 230126 Pin—Rotocap Exhaust Valve Retainer 230127 Retainer— Exhaust Valve Rotocap Used on Type No. 0647.	81	220234	Lock—Gear Case Mounting Screw
23	394413	Flywheel—Magneto	45	261250	Tappet—Valve	82	91541	Screw—Cap Hex. Hd.—5/16-24 x 7/8"
24	222698	Key—Flywheel	46	492550	Gear—Cam Note: 392275 Gear—Cam Used on Model 112292 Series.	82A	92279	Screw—Cap, Hex. Hd.—5/16-24 x 1-1/2"
25	391650	Piston Assembly—Std.	52	394732	Gasket—Intake Elbow Mounting (2 used)	83	211293	Shaft & Gear—Drive
	391651	Piston Assembly— .010" O.S.	53	94523	Screw—Muffler	84	92617	Plug—Breather
	391652	Piston Assembly— .020" O.S.	56	280439	Pulley—Rewind Starter	85	92747	Screw—Gear Case Mounting Sem
	391653	Piston Assembly— .030" O.S.	57	490179	Spring—Rewind Starter	86	291730	Cover Assembly— Gear Case
			58	66734	Rope—Starter—48-5/8"	87	19011	Seal—Oil
			59	396892	Insert—Starter Grip	88	27313	Gasket—Gear Case Cover
			59A	230228	Pin—Starter Grip	89	93448	Plug—Oil Drain
			60	393152	Grip—Starter Rope	90	398124	Carburetor Assembly (For 2 Quart Tank) Note: 398112 Carb. Assy. (For 3 Quart Tank) Used on Type Nos. 0516, 0523, 0535, 0536, 0538, 0549, 0610, 0611, 0612, 0616, 0617, 0634, 0636, 0639, 0641, 0644, 0647, 0648, 0653, 0657, 0659,
			65	94124	Guard—Rewind Starter			
PISTON RING SETS:								
		Note: For Chrome Piston Ring Set—Standard Size—Order Part No. 392330.						
26	391654	Ring Set—Std. Piston						
	391656	Ring Set—.010" O.S. Piston						
	391658	Ring Set—.020" O.S. Piston						
	391660	Ring Set—.030" O.S. Piston						

112200 to 112299

REF. NO.	PART NO.	DESCRIPTION	REF. NO.	PART NO.	DESCRIPTION	REF. NO.	PART NO.	DESCRIPTION
		0610, 0611, 0612, 0616, 0617, 0634, 0636, 0639, 0641, 0644, 0647, 0648, 0653, 0657, 0659, 0664, 0665, 0666, 0667, 0668, 0669, 0687, 0691, 0700, 0701, 0703, 0706, 0707, 0708, 0711, 0714.	117	230590	Nut—Needle Valve			0701, 0703, 0706, 0707, 0711, 0714.
			118	23433	Valve—Needle			398030 Tank Assy.— Fuel (2 Quart) (Used after Code Date 83081300.)
			124	93357	Screw—Hex. Hd.			395622 Tank Assy.— Fuel (Used before Code Date 83081400.)
			127	22831	Plug—Welch			Used on Type Nos. 0132, 0146, 0148, 0563, 0573, 0645.
			147	230591	Seat—Needle Valve			
			148	22235	Washer—Needle Valve			
			149	26336	Spring—Needle Valve			
			152	260575	Spring Throttle Adjustment			
			154	93527	Screw—Machine, Rd. Hd.—5-40 x 5/8"			
90A	394828	Carburetor Assembly (For 2 Quart Tank)	163	271139	Gasket—Air Cleaner Mounting			
	Note:	394878 Carb. Assy. (For 3 Quart Tank) Used on Type Nos. 0016, 0035, 0036, 0038, 0049, 0110, 0111, 0112, 0116, 0117, 0133, 0134, 0143, 0144, 0147, 0150, 0151, 0158, 0159, 0161, 0163, 0516, 0535, 0536, 0538, 0549, 0610, 0611, 0612, 0616, 0617, 0634, 0636, 0639, 0641, 0644, 0647, 0648, 0653, 0657, 0659, 0664, 0665, 0666, 0667. 395584 Carb. Assy. (For 2 Quart Tank) Used on Type Nos. 0160, 0651, 0652.	163A	27660	Gasket—Air Cleaner Mounting			398030 Tank Assy.— Fuel (2 Quart) (Used after Code Date 85050800.)
			165	93856	Nut—Wing			395622 Tank Assy.— Fuel (Used before Code Date 85050900.)
			166	231332	Stud—Air Cleaner (Used with Rotary Choke Carburetor— Ref. 90)			Used on Type Nos. 70630, 0635, 0686.
			166A	231315	Stud—Air Cleaner (1/4" Dia. Stepped Stud Used with Pull Choke Carburetor—Ref. 90A)			
				Note:	231176 Stud—Air Cleaner (3/16" Dia. Stud Used with Pull Choke Carburetor—Ref. 90A)	181	394818	Cap—Fuel Tank
			172	271077	Gasket—Air Cleaner			Note: 297863 Cap—Fuel Used on Type Nos. 0101, 0131, 0154, 0563, 0573, 0601, 0630, 0635, 0649, 0651, 0652, 0660, 0686.
			180	397869	Tank Assy.—Fuel (2 Quart)			397567 Cap—Fuel Used on Type Nos. 0516, 0523, 0535, 0536, 0538, 0549, 0634, 0637, 0641, 0647, 0648, 0649, 0654, 0655, 0656, 0657, 0658, 0659, 0664, 0665, 0667, 0691, 0700, 0701, 0705.
				Note:	398141 Tank Assy.— Fuel (3 Quart) Used on Type Nos. 0016, 0035, 0036, 0038, 0049, 0110, 0111, 0112, 0116, 0117, 0133, 0134, 0143, 0144, 0147, 0150, 0151, 0158, 0159, 0161, 0163, 0516, 0523, 0535, 0536, 0538, 0549, 0610, 0611, 0612, 0616, 0617, 0634, 0636, 0639, 0641, 0644, 0647, 0648, 0653, 0657, 0659, 0664, 0665, 0666, 0667, 0668, 0669, 0687, 0691, 0700,	189	90366	Washer—Lock, 5/16 x 1/8 x 1/16
95	93499	Screw—Throttle Valve Mounting Sem				190	93440	Screw—Sem
96	211203	Valve—Throttle					Note:	94094 Screw—Sem One Used to Mount Heat Shield Ref. 725.
97	297468	Shaft and Lever— Throttle				191	* 271592	Gasket—Fuel Tank Mounting
108	397134	Valve Group—Choke				201	261590	Link—Governor
110	66432	Washer—Choke Lever				202	260678	Link—Throttle
111	94060	Washer—Wave						
112	94164	Screw—Choke Lever (Used after Code Date 86011200.)						
	Note:	93686 Screw— Choke Lever (Used before Code Date 86011300.)						
114	66594	Gasket—Needle Valve Nut						
116	65978	Packing—Needle Valve						

* Included in Gasket Set—Part No. 397147

112200 to 112299

REF. NO.	PART NO.	DESCRIPTION	REF. NO.	PART NO.	DESCRIPTION	REF. NO.	PART NO.	DESCRIPTION		
203	394670	Crank—Bell	227	394541	Lever Assy.—Governor			93873 Screw		
204	222962	Bushing—Governor Control Lever For Specials, See Ref. 223.	230	222450	Washer—Gov. Lever			(Guard to Bracket Mounting)		
205	93838	Screw, Shoulder	231	93064	Screw—Hex. Hd. Sem			Used on Type No. 0640.		
207	26855	Spring—Control Rod	232	260732	Spring—Governor Link	300	394569	Exhaust—Muffler		
208	261597	Rod—Control Note: 262225 Rod—Control Used on Type Nos. 0669, 0670.	256	397709	Crank—Bell (Includes Choke Link)	303	91943	Elbow—Exhaust (90° Street)		
208A	399112	Rod—Control (Used after Code Date 85050800) Note: 261598 Rod—Control (Used before Code Date 85050900)	256A	299859	Crank—Bell (Includes Choke Link)		Note:	92989 Elbow—Exhaust (45° Street)		
208B	261624	Rod—Control	257	90746	Screw—Fil. Hd. Sem			Used on Type No. 0665.		
209	260902	Spring—Governor Note: 261130 Spring—Gov. Used on Type Nos. 0131, 0142, 0147, 0151, 0156, 0157, 0160, 0631, 0642, 0643, 0651, 0652, 0663, 0665.	257A	93543	Screw—Fil. Hd. Sem	304	394451	Housing—Blower (For Rope Starter) Used on Model 112201 and 112231 Series.		
216	397709	Link—Choke (Includes Bell Crank)	265	221535	Clamp—Casing			305	94153	Screw—Sem
216A	399109	Rod—Choke (Used after Code Date 85050800.) Note: 261592 Rod—Choke (Used before Code Date 85050900.)	267	93496	Screw—Sem			306	223086	Shield—Cylinder
216B	394562	Handchoke Assy.	280	223236	Guide—Control Uses: 230944 Guide—Control Rod Used on Type Nos. 0016, 0035, 0036, 0049, 0516, 0523, 0535, 0536, 0549.			307	93490	Screw—Cylinder Shield Mounting Sem
216C	299859	Link—Choke (Includes Bell Crank)	280A	223139	Guide—Control Rod and Hood Mounting			308	223085	Cover—Cylinder Head
217	261951	Spring—Choke Link	298	220859	Locknut—Muffler			319	395488	Armature Assembly (Less Trigger Coil)
217A	260189	Spring—Choke Link	299	492591	Muffler—Exhaust Note: 394898 Guard—Muffler Uses: 93606 Screw (Guard to Muffler Mounting) 62199 Washer (Guard to Bracket Mounting) 93873 Screw (Guard to Bracket Mounting) Used On Type No. 0640.			325	298731	Pulley—Starter (With Screen) (5/8" hole in Pulley)
218	221198	Washer—Choke Link	299A	392811	Muffler—Exhaust (Lo-Tone) Note: 394898 Guard—Muffler Uses: 93606 Screw (Guard to Muffler Mounting) 62199 Washer (Guard to Bracket Mounting)			330	69932	Rope—Starter
219	391737	Gear—Governor						331	220865	Washer—Flywheel (5/8" hole)
220	221551	Washer—Thrust						332	92284	Nut—Flywheel (5/8-18 right hand thread)
223	223097	Lever—Governor Control Note: 231287 Bushing 94034 Rivet 95569 Washer—Spring Used on Type Nos. 0132, 0146, 0148.						333	397316	Armature—Magneto
224	93491	Rivet For Specials, See Ref. 223.						333A	395489	Armature Group (MAGNETRON® Ignition)
								333B	298502	Armature—Magneto (For Points and Condenser)
								334	93381	Screw—Armature Mounting Sem
								337	298809	Plug—Spark (with gasket) (1-1/2" High—37-42 M.M.) Note: 29693 Plug—Spark (With Gasket) 2" High—51 M.M. 293918 Plug—Spark (With Gasket) 1-1/2" High (Resistor type) 492167 Plug—Spark (1-7/8" High—48 M.M.)

112200 to 112299

REF. NO.	PART NO.	DESCRIPTION	REF. NO.	PART NO.	DESCRIPTION	REF. NO.	PART NO.	DESCRIPTION
345	220366	Cover—Breaker Point and Condenser Note: 222168 Cover—Breaker Point Used on Type Nos. 0101, 0131.			65604 Plunger 61760 Key—Flywheel (For Conversion to MAGNETRON [®] Ignition Order Part No. 394970.)			Note: 230634 Tube—Breather (Used with Pull Choke Carburetor—Ref. 90A Before Code Date 84022300).
346	93705	Screw—Sem	383	89838	Wrench—Spark Plug	529	67838	Grommet—Breather Tube (Used After Code Date 84022200).
347	293739	Switch—Stop (For 2" High, 51 mm Spark Plugs) Note: 220197 Switch—Stop Used on Type Nos. 0152, 0563, 0573, 0637, 0647, 0648, 0668, 0669, 0700, 0707.	392	260455	Spring—Fuel Pump Diaphragm			Note: 67608 Grommet—Breather Tube (Used Before Code Date 84022300).
351	93735	Screw—Terminal	392A	260847	Spring—Choke Friction Diaphragm	533	231266	Nut—Control
352	66068	Washer	394	270026	Diaphragm	534	94071	Screw—Air Cleaner (3-3/8" long) Note: 93322 Screw—Air Cleaner (1-15/16" long)
353	92791	Washer—Lock—Shakeproof	414	220982	Washer—Flat	535	27987	Element—Air Cleaner
354	90576	Nut—Hex.—8-32	414A	231325	Spacer—Choke Lever (Used Before Code Date 86011300).	535A	271466	Element—Air Cleaner
355	66554	Washer—Insulating	423	93410	Screw—Sem	536	397703	Cleaner Assy.—Air (Used with Rotary Choke Carburetor—Ref. 90) Note: 297036 Cleaner Assy.—Air (Used with Pull Choke Carburetor—Ref. 90A)
356	398808	Wire—Ground Note: 396585 Wire—Ground Used On Type Nos. 0101, 0131, 0135, 0139, 0140, 0142, 0151, 0153, 0156, 0157, 0158, 0159, 0160, 0601, 0631, 0632, 0639, 0640, 0641, 0642, 0643, 0644, 0645, 0651, 0652, 0653, 0657, 0659, 0662, 0666. 399094 Wire—Ground Used on Type Nos. 0660, 0686, 0693. 399223 Wire—Ground Used on Type No. 0707.	423	93410	Screw—Sem	539	93784	Clamp—Choke Rod
			432	221377	Cap—Spring	541	22398	Washer
			432A	221766	Cap—Choke Spring	542	94025	Screw—Machine
			433	93265	Pin—Diaphragm Cover	549	271118	Washer
			434	210959	Cover—Diaphragm	552	231079	Bushing—Governor Shaft
			435	93141	Screw—Diaphragm Cover	562	92613	Bolt—Governor Lever
			445	396424	Cartridge—Air Cleaner	592	231082	Nut—Hex—10-24
			445A	392308	Cartridge—Air Cleaner	608	394827	Starter Assy.—Rewind (10 o'clock) Note: 395583 Starter Assy.—Rewind (1:30 o'clock) Used on Type Nos. 0156, 0160, 0642, 0643, 0651, 0652, 0703. 395662 Starter Assy.—Rewind (12 o'clock) Used on Type Nos. 0016, 0035, 0036, 0038, 0049, 0136.
			446	222844	Base—Air Cleaner			
			467	212706	Knob—Air Cleaner			
			467A	391908	Knob—Control			
			467B	212293	Knob—Air Cleaner			
			506	90200	Screw—Machine, Fil. Hd.—8-32 x 1/2"			
			507	66895	Insulator			
			516	260374	Spring—Connector			
			520	93722	Terminal—Spade			
			526	93343	Screw—Tank Bracket Mounting Sem			
			527	221514	Clamp—Breather Tube (Used with Rotary Choke Carburetor—Ref. 90)			
			527A	221279	Clamp—Breather Tube (Used with Pull Choke Carburetor—Ref. 90A)			
357	91539	Key—3/16" Square	528	231383	Tube—Breather (Used with Rotary Choke Carburetor—Ref. 90)			
358	397147	Gasket Set	528A	231312	Tube—Breather (Used with Pull Choke Carburetor—Ref. 90A After Code Date 84022200).			
363	19069	Puller—Flywheel (Optional Accessory)						
369	220705	Spring—Friction Control						
372	220477	Clamp—Condenser						
375	294628	Breaker Points and Condenser Set Note: 299061 Ignition Kit Includes: 294628 Point Set						

112200 to 112299

REF. NO.	PART NO.	DESCRIPTION	REF. NO.	PART NO.	DESCRIPTION	REF. NO.	PART NO.	DESCRIPTION
		0140, 0152, 0154, 0158, 0162, 0516, 0523, 0535, 0536, 0538, 0549, 0637, 0639, 0644, 0647, 0648, 0649, 0654, 0655, 0656, 0659, 0662, 0689, 0691, 0700, 0705.	687	390690	Slide—Friction Control	987	398970	Seal—Throttle Shaft (Used After Code Date 85081100).
		399927 Starter Assy.— Rewind (10 o'clock) Used on Type No. 0669.	688	221766	Cap—Friction Spring			
608A	394823	Starter Assy.—Rewind (10 o'clock)	689	260847	Spring—Friction	989	491060	Switch Assembly (Used After Code Date 86123100).
609	260694	Spring—Throttle Link	690	90746	Screw—Machine, Fil. Hd.—10-32 x 1/2"			
611	391813	Fuel Pipe and Clip Assembly	725	223334	Shield—Heat			
612	296811	Pipe—Fuel (1-5/8" long) Plastic	727	223103	Cover—Blower Housing			Note: 399668 Switch Assy. (Used Before Code Date 87010100).
614	93306	Cotter—Hair Pin	729	221907	Clip—Wire (Used to Retain Ground Wire Lead to Cyl. Rib)	990	280596	Key
615	93307	Retainer—E-Ring	731	399182	Hood—Snow (Used After Code Date 85050800).	994	398067	Spark Arrestor
616	231077	Crank—Governor			Note: 394450 Hood—Snow (Used Before Code Date 85050900).	1016	490817	Spacer
621	297472	Switch—Stop	733	93977	Screw	1019	491098	Label Kit
624	222476	Crank—Bell	795	392833	Switch Assy.—Key	7S	Arrest	9100
634	271853	Washer—Throttle Shaft (Used After Code Date 85081100).	851	221798	Terminal—Ignition Cable	1016	490817	Spacer
		Note: 270167 Washer— Throttle Shaft (Used Before Code Date 85081200).	852	396397	Cleaner Group—Air	1019	491098	Decal (Label) Kit
634A	270382	Washer—Choke Shaft	852A	397937	Cleaner Group—Air			
634B	270167	Washer—Throttle Shaft	852B	392368	Cleaner Assy.—Air			
635	66538	Elbow—Spark Plug	854	392884	Bracket Assy.— Stop Switch			
		Note: 392273 Elbow— Shielding (Only Used with Spark Plug 29693) Used on Type Nos. 0161, 0163, 0657.	864	492232	Adapter Assy.— Muffler			
642	223306	Cover—Air Cleaner	869	211172	Seat—Intake Valve (Standard) (Used After Code Date 88073100).			
642A	222626	Cover—Air Cleaner			Note: 210879 Seat—Intake Valve (Used Before Code Date 88080100).			
643	222991	Cup—Air Cleaner	870	211291	Seat—Exhaust Valve (Standard)			
643A	222845	Cup—Air Cleaner	871	262001	Guide—Exhaust Valve			
645	23513	Bushing—Plunger			Note: 63709 Guide—Intake Valve			
		Note: Used on Type Nos. below 0500.	883	272203	Gasket—Muffler			
665	298858	Oil Minder	897	394970	Trigger Coil Assembly— MAGNETRON® Ignition			
676	393760	Deflector—Exhaust	905	394510	Shield—Sno-Gard			
676A	397931	Deflector—Exhaust	916	280321	Gear Rack—Governor			
681	299060	Needle Valve Kit			Note: 280324 Gear Rack— Governor Used on Type Nos. 0651, 0652, 0703, 0714.			
682	211516	Shield—Clutch	949	396579	Guard—Rewind Starter Lever—Choke			
			951	223286	Lever—Choke			