

112200 to 112299

Illustrated Parts List

Model Series

112200 to 112299

TYPE NUMBERS

0801 through 0804,
0810 through 0855,
1516, 1523, 1535,
1538, 1549, 4001,
4002, 4006, 4007,
4016, 4023, 4035,
4036, 4038, 4049

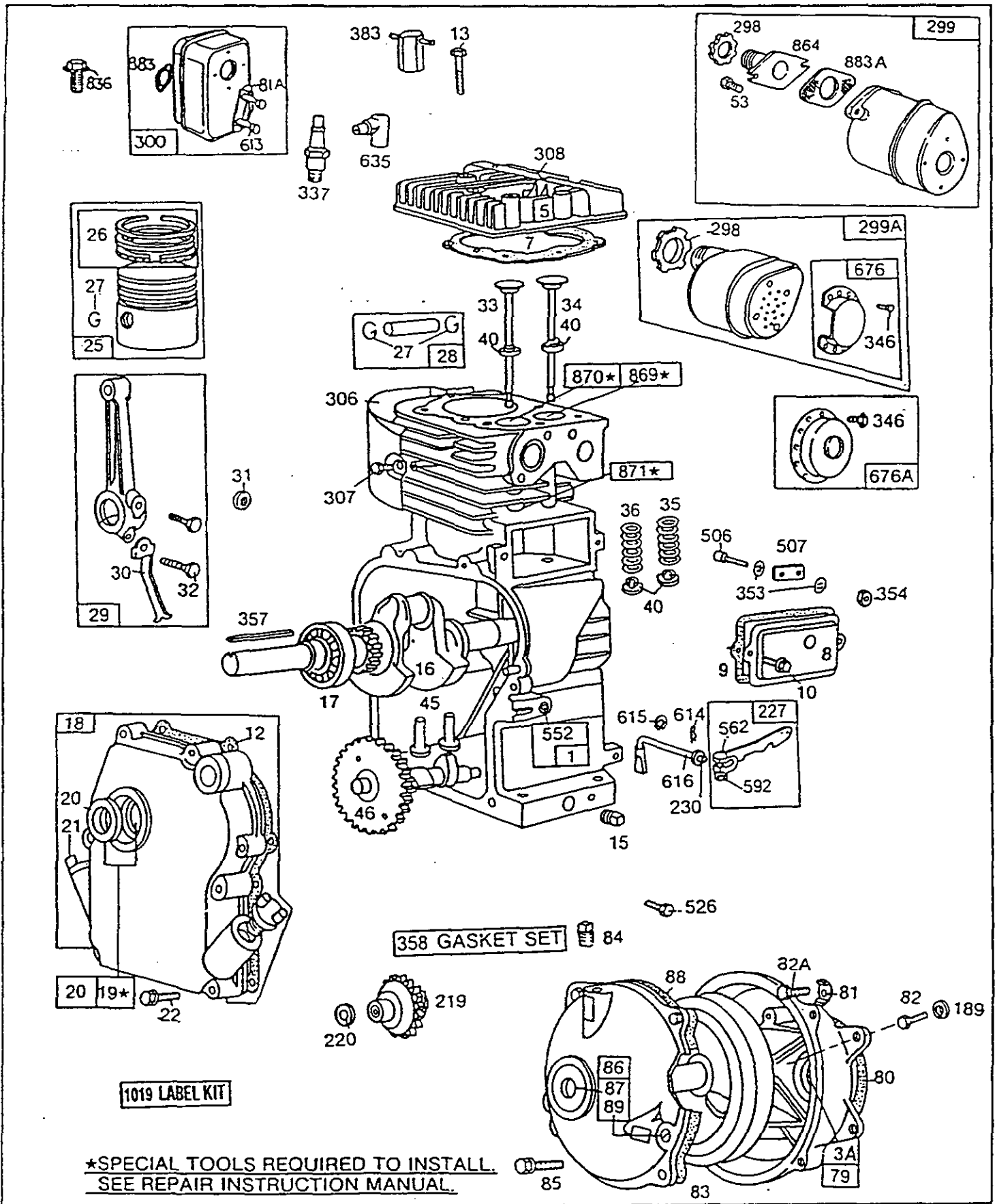
TO FIND THE CORRECT NUMBER OF THE PART YOU NEED: FOLLOW THE INSTRUCTIONS BELOW

- A. Refer to Engine Model, Type and Code Number that is stamped on the blower housing of engine. Engine type numbers such as 012301 are listed herein only as 0123. The two digits (01 or 02, etc.) to the right of the space are not needed for parts identification. Then use the Illustrated Parts List covering the Model Series.
- B. Refer to Illustrated Parts section and compare the old part with illustration. The number on the illustration is the Reference Number. Assemblies include all parts shown in frames. All parts shown in assembly frames on which individual reference numbers are given can be purchased separately.
- C. After the Reference Number has been identified, refer to the Numerical Parts List, where Reference and Master Part Number are listed. **THE MASTER PART IS USED ON ALL TYPE NUMBERS EXCEPT THOSE TYPE NUMBERS UNDER "NOTE."**
- D. If a "Note" appears below the Master Part Number, this means that this part differs from the Master Part for certain types. If the Type number is listed under "Note," order the part referred to.
- E. If the Engine Type Number does not appear after any part number listed under "Note," use the Master Part Number.
- F. For Type Numbers higher than those covered by this book, please refer to the factory if you are unable to identify the part by comparison.

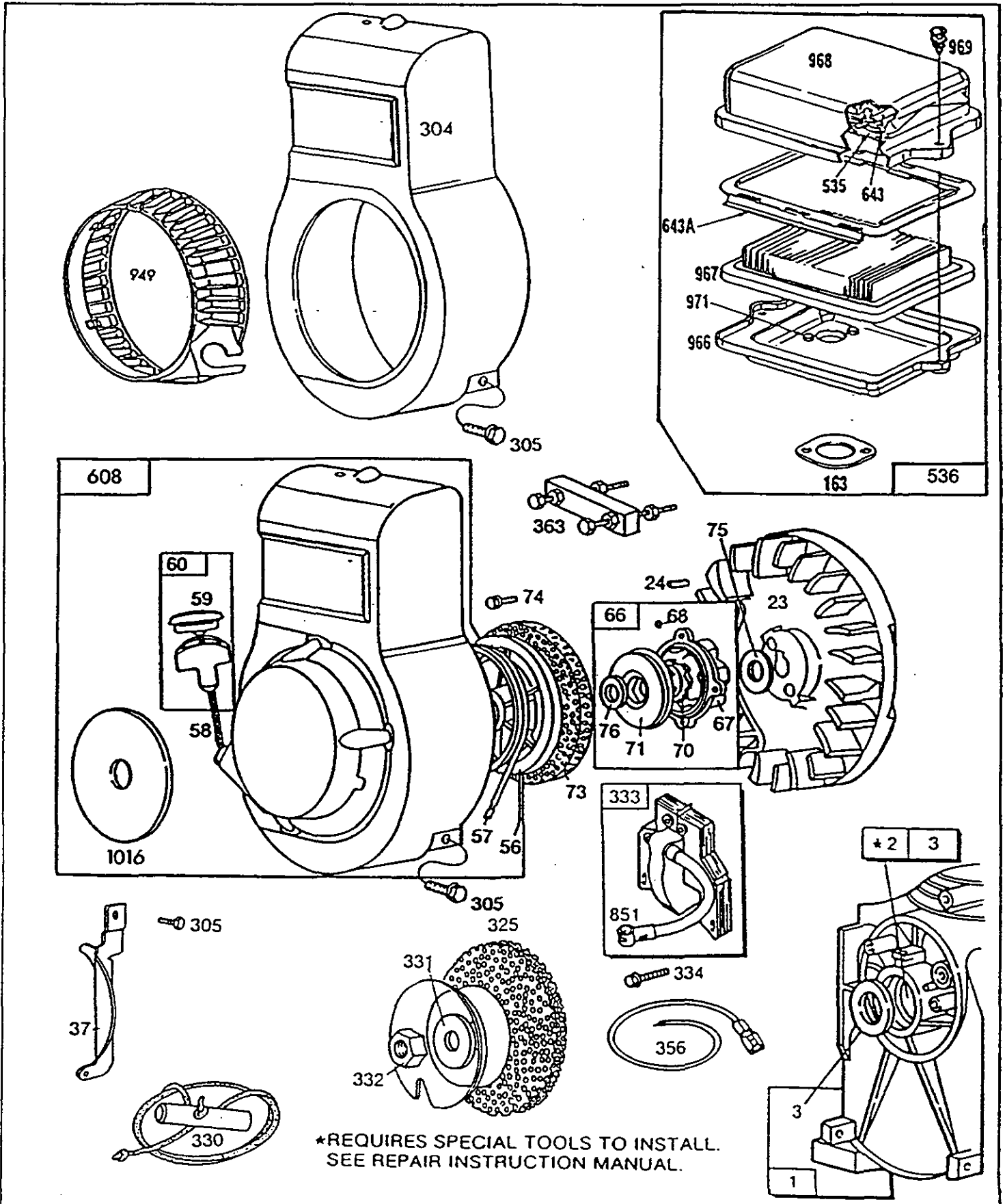


BRIGGS & STRATTON®

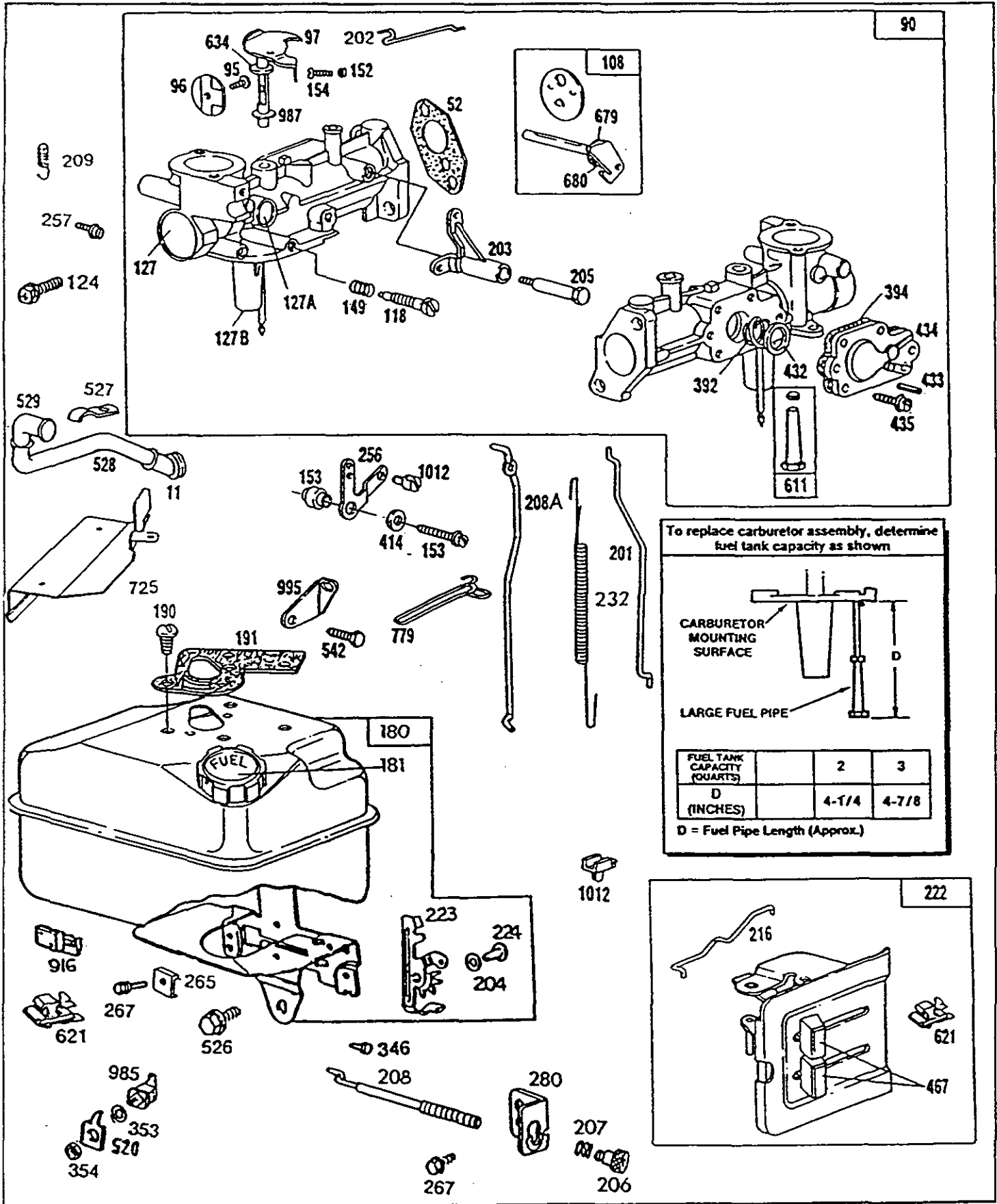
112200 to 112299



***SPECIAL TOOLS REQUIRED TO INSTALL.
SEE REPAIR INSTRUCTION MANUAL.**



112200 to 112299



8993-4

Assemblies include all parts shown in frames.

80

112200 to 112299

REF. NO.	PART NO.	DESCRIPTION	REF. NO.	PART NO.	DESCRIPTION	REF. NO.	PART NO.	DESCRIPTION
1	395970	Cylinder Assembly		261405	Crankshaft		393812	Seal—Oil
2	293708	Bushing—Cylinder			Used on Type Nos.			Used on Type Nos.
	Note:	Requires special tools for installation.			0802, 0816, 0818, 0821, 0823, 0824, 0827, 0828, 0830, 0832, 0835, 0839, 0844, 0851, 0855, 1535, 4002, 4006, 4007, 4035, 4036.			0802, 0811, 0816, 0817, 0818, 0820, 0821, 0823, 0824, 0827, 0828, 0830, 0831, 0832, 0835, 0855, 1535, 1538.
3	393862	Seal—Oil		261406	Crankshaft	21	66768	Plug—Oil Filler
3A	299819	Seal—Oil			Used on Type No.	22	93032	Screw—Crankcase
5	213141	Head—Cylinder			1516.		Note:	92747 Screw—
7	* 270836	Gasket—Cylinder Head		261412	Crankshaft			Crankcase
8	294178	Breather—Valve Chamber			Used on Type Nos.			Mounting Sem
9	* 27549	Gasket—Valve Cover			0803, 0841, 1549.			Used in two top holes to mount cover
10	93394	Screw—Breather Mounting Sem		493553	Crankshaft			Used on Model
11	66578	Grommet—Breather Tube			Used On Type Nos.			112212 and 112252 Series.
12	* 270833	Gasket—Crankcase—.015" thick (Standard)			0833, 0843, 0847.			93656 Stud
	* 270985	Gasket—Crankcase—.005" thick	17	99158	Bearing—Ball			90832 Washer—Lock
	* 270896	Gasket—Crankcase—.009" thick	18	394820	Cover Assembly—Crankcase			Used to mount Crankcase Cover on Type Nos.
13	93111	Screw—Cylinder Head (1-15/16" long)		Note:	394879 Cover Assy.—Crankcase			0810, 0815, 0843, 0847.
	Note:	93583 Stud—Cylinder Head			Used on Model 112202 Series.	23	394413	Flywheel—Magneto
		231186 Spacer			394909 Cover Assy.—Crankcase	24	222698	Key—Flywheel
		93772 Stud—Cylinder Head			Used on Model 112212, 112252 Series.	25	391650	Piston Assembly—Std.
		22963 Washer			395259 Cover Assy.—Crankcase		391651	Piston Assembly—.010" O.S.
		Used on Type Nos. 0816, 0830.			Used on Model 112231, 112232 Series.		391652	Piston Assembly—.020" O.S.
		93772 Stud—Cylinder Head		19	293708		391653	Piston Assembly—.030" O.S.
		22963 Washer			Bushing Assembly—Crankcase Cover (Includes			PISTON RING SETS:
		Used On Type Nos. 0850, 4001, 4016, 4023, 4035, 4036, 4038, 4049.			220538 Bushing)			Note: For Chrome Piston Ring Set—Standard Size—Order Part No. 392330.
15	91249	Plug—Pipe, 1/4" Std., Square Head		Note:	Bushings require special tools for installation.	26	391654	Ring Set—Std. Piston
	Note:	93448 Plug—Pipe (Socket Head)					391656	Ring Set—.010" O.S. Piston
16	261703	Crankshaft	20	393862	Seal—Oil		391658	Ring Set—.020" O.S. Piston
	Note:	261374 Crankshaft		Note:	391484 Seal—Oil		391660	Ring Set—.030" O.S. Piston
		Used on Type No. 0811.			Used on the Auxiliary P.T.O. Shaft on Model 112292 Series.			
		261400 Crankshaft			392838 Oil Seal and Spacer	27	26026	Lock—Piston Pin
		Used on Type Nos. 0817, 0820, 0831, 0836, 0838, 0849, 0850, 1538, 4038.			Used on Type Nos. 0822, 0825, 0837, 1523.	28	391649	Pin Assembly—Piston—Standard

* Included in Gasket Set—Part No. 397147

112200 to 112299

REF. NO.	PART NO.	DESCRIPTION	REF. NO.	PART NO.	DESCRIPTION	REF. NO.	PART NO.	DESCRIPTION
	Note:	For Connection Rod with .020" undersize Crankpin Bearing—order No. 393710.	80	27667	Gasket—Gear Case		Note:	490491 Tank Assy.—Fuel (2 Quart)
30	220670	Dipper—Connecting Rod	81	220234	Lock—Gear Case Mounting Screw			Used on Type Nos. 0810, 0812, 0813, 0814, 0817, 0818, 0819, 0820, 0822, 0825, 0826, 0828, 0833, 0835, 0837, 0838, 0839, 0841, 0842, 0846, 0847, 0848, 0854, 0855, 4001, 4002, 4006, 4007, 4023.
31	222282	Washer—Connecting Rod Screw	81A	223256	Lock—Screw	181	490075	Cap—Fuel Tank
32	94405	Screw—Connecting Rod	82	91541	Screw—Cap, Hex. Hd.—5/16-24 x 7/8"	189	90366	Washer—Lock, 5/16 x 1/8 x 1/16
33	212004	Valve—Exhaust	82A	92279	Screw—Cap, Hex. Hd.—5/16-24 x 1-1/2"	190	94094	Screw—Serr
34	261233	Valve—Intake	83	211293	Shaft & Gear—Drive	191	* 271928	Gasket—Fuel Tank Mounting
35	260552	Spring—Intake Valve	84	92617	Plug—Breather	201	262278	Link—Governor
36	26478	Spring—Exhaust Valve	85	92747	Screw—Gear Case Mounting Sem	202	262270	Link—Throttle
37	223087	Guard—Flywheel	86	291730	Cover Assembly—Gear Case	203	280720	Crank—Bell
40	93312	Retainer—Valve Spring	87	19011	Seal—Oil	204	222962	Bushing—Governor Control Lever
45	261250	Tappet—Valve	88	27313	Gasket—Gear Case Cover	205	231520	Screw—Shoulder
46	492550	Gear—Cam	89	93448	Plug—Oil Drain	206	231266	Nut
	Note:	392275 Gear—Cam Used on Model 112292 Series.	90	490533	Carburetor Assembly (For 3 Quart Tank)	207	26855	Spring—Control Rod
52	271936	Gasket—Intake Elbow Mounting (2 Req'd)		Note:	492612 Carburetor Assy. (For 2 Quart Tank)	208	262323	Rod—Control
53	94523	Screw, Hex Hd.	95	93499	Screw—Throttle Valve Mounting Sem		Note:	262322 Rod—Control (Used on Engines with 2 Quart Fuel Tanks)
56	280439	Pulley—Rewind Starter	96	223793	Valve—Throttle	208A	262277	Rod—Speed Control
57	490179	Spring—Rewind Starter	97	490048	Shaft and Lever—Throttle	209	262285	Spring—Governor
58	280406	Rope—Starter	108	491177	Valve Group—Choke		Note:	262289 Spring—Gov. Used on Type Nos. 0813, 0816, 0818, 0822, 0823, 0830, 0832, 0835, 0837, 0841, 0843, 0846, 0853, 1516, 1523, 1535, 1549, 4006, 4023, 4035, 4049.
	Note:	Order 66734 For 48-5/8" Long Rope.	118	231533	Valve—Needle			262290 Spring—Governor
59	396892	Insert—Starter Grip	124	93357	Screw—Hex. Hd.			Used on Type Nos. 0824, 0825, 4002.
60	393152	Grip—Starter Rope	127	220352	Plug—Welch			262291 Spring—Governor
66	399671	Clutch Assembly—Rewind Starter	127A	223789	Plug—Welch			Used on Type Nos. 0817, 0820, 0831, 0836, 0838, 0849, 0850, 1538, 4038.
67	394897	Housing—Starter Clutch	127B	223472	Plug—Welch (Used after Code Date 87011100.)			
68	63770	Ball—Clutch		Note:	223790 Plug—Welch (Used before Code Date 87011200.)			
70	298799	Ratchet—Rewind Starter	149	26336	Spring—Needle Valve			
71	221653	Washer—Clutch Retainer	152	260575	Spring Throttle Adjustment			
	Note:	394506 Retainer Assy.—Seal Used On Type No. 0854.	153	490589	Screw—Carburetor Cam and Lever			
73	221661	Screen—Rotating	154	93527	Screw—Machine, Rd. Hd.—5-40 x 5/8"			
74	93490	Screw—Rotating Screen Mounting Sem	163	271935	Gasket—Air Cleaner Mounting			
	Note:	93808 Screw—Rotating Screen Mounting Used On Type No. 0854.	180	490527	Tank Assy.—Fuel (3 Quart)			
75	220865	Washer—Spring						
76	68238	Washer—Ratchet						
79	290779	Case Assembly—Gear						

* Included in Gasket Set—Part No. 397147

REF. NO.	PART NO.	DESCRIPTION	REF. NO.	PART NO.	DESCRIPTION	REF. NO.	PART NO.	DESCRIPTION
216	262359	Link—Choke (Used after Code Date 87030100.)	300	395959	Muffler—Exhaust	392	262328	Spring—Fuel Pump Diaphragm
	Note:	262274 Link—Choke (Used before Code Date 87030200.)	304	490174	Housing—Blower (For Rope Starter) Used On Model 112231 Series.	394	270026	Diaphragm
219	391737	Gear—Governor	305	94153	Screw—Sem	414	220982	Washer
220	221551	Washer—Thrust	306	223086	Shield—Cylinder	432	221377	Cap—Spring
222	490648	Plate—Control	307	93490	Screw—Cylinder Shield Mounting Sem	433	93265	Pin—Diaphragm Cover
223	223097	Lever—Governor Control	308	223085	Cover—Cylinder Head	434	210959	Cover—Diaphragm
224	93491	Rivet	325	298731	Pulley—Starter (With Screen) (5/8" hole in Pulley)	435	93141	Screw—Diaphragm Cover
227	490454	Lever Assy.—Governor	330	69932	Rope—Starter	467	280715	Knob—Control Bracket
230	222450	Washer—Gov. Lever	331	220865	Washer—Flywheel (5/8" hole)	506	90200	Screw—Machine, Fil. Hd.—8-32 x 1/2"
232	262310	Spring—Return	332	92284	Nut—Flywheel (5/8-18 right hand thread)	507	66895	Insulator
256	223813	Crank—Bell	333	397316	Armature—Magneto	520	93722	Terminal—Spade
257	93543	Screw—Fil. Hd., 10-32 x 3/8"	334	93381	Screw—Armature Mounting Sem	526	93343	Screw—Tank Bracket Mounting Sem
265	221535	Clamp—Casing	337	298809	Plug—Spark (with gasket) (1-1/2" High, 37-42 mm)	527	223786	Clamp—Breather Tube
267	93496	Screw—Sem		Note:	29693 Plug—Spark (2" High, 51 mm)	528	231527	Tube—Breather
280	223235	Guide—Control Note: 223798 Guide— Control (Used on Engines with 2 Quart Fuel Tanks)			293918 Plug—Spark (With Gasket) 1-1/2" High (Resistor Type)	529	67838	Grommet—Breather Tube
298	220859	Locknut—Muffler			492167 Plug—Spark (1-7/8" High, 48 mm)	535	271933	Element—Air Cleaner
299	492591	Muffler—Exhaust Note: 394898 Guard—Muffler Uses: 94186 Screw (Guard To Muffler Mounting) 62199 Washer (Guard To Bracket) 93873 Screw (Guard To Bracket Mounting) Used On Type Nos. 0835, 0854, 0855, 4006. 493288 Muffler—Exhaust Used On Type Nos. 0853, 0854, 0855.			802592 Plug—Spark (1-7/8" High, 48 mm) (Resistor Type)	536	494279	Air Cleaner Kit
			346	93705	Screw—Sem	542	93572	Screw—Hex Head
			353	92791	Washer—Lock— Shakeproof	552	231079	Bushing—Governor Shaft
			354	90576	Nut—Hex.—8-32	562	92613	Bolt—Governor Lever
299A	392811	Muffler—Exhaust (Lo-Tone) Note: 394898 Guard—Muffler Uses: 94186 Screw (Guard to Muffler Mounting) 62199 Washer (Guard to Bracket) 93873 Screw (Guard to Bracket Mounting) Used on Type Nos. 0835, 0854, 4006.	356	398808	Wire—Ground Note: 490346 Wire—Ground Used on Type Nos. 0815, 0850, 4001, 4002, 4006, 4007, 4016, 4023, 4035, 4036, 4038, 4049.	592	231082	Nut—Hex—10-24
			357	91539	Key—3/16" Square	608	490828	Starter Assy.—Rewind (10 o'clock) Note: 490578 Starter Assy.— Rewind (12 o'clock) Used on Type Nos. 0810, 0819. 491431 Starter Assy.— Rewind (1:30 o'clock) Used on Type No. 0832. 492245 Starter Assy.— Rewind (12 o'clock) Used On Type Nos. 4002, 4007, 4023, 4035, 4036, 4038, 4049.

112200 to 112299

REF. NO.	PART NO.	DESCRIPTION	REF. NO.	PART NO.	DESCRIPTION	REF. NO.	PART NO.	DESCRIPTION
		493604 Starter Assy.— Rewind (1:30 o'clock) Used On Type Nos. 0854, 0855.		Note:	280324 Gear Rack— Governor Used On Type Nos. 0854, 0855.			
611	391813	Fuel Pipe and Clip Assembly	949	280684	Guard—Rewind Starter			
613	94042	Screw—Hex. Hd. Shoulder	966	490074	Base—Air Cleaner			
614	93306	Cotter—Hair Pirf	967	399959	Filter—Air Cleaner			
615	93307	Retainer—E-Ring	968	223765	Cover—Air Cleaner			
616	231077	Crank—Governor	969	490073	Screw—Air Cleaner (Includes Grommet)			
621	396847	Switch—Stop	971	94018	Screw—Hex. Hd.			
634	271853	Washer—Throttle Shaft	985	398525	Insulator Assembly			
635	66538	Elbow—Spark Plug	987	398970	Seal—Throttle Shaft			
	Note:	392273 Elbow—R.F. Shielding Used on Type No. 0824.	995	223887	Bracket—Control Link			
643	280737	Cup—Air Cleaner	1012	490507	Retainer—Link			
643A	280726	Cup—Air Cleaner	1016	490817	Spacer			
676	393760	Deflector—Exhaust	1019	491098	Label Kit			
676A	397931	Deflector—Exhaust						
679	270382	Washer—Foam						
680	221839	Washer—Brass						
725	223867	Shield—Heat						
779	262276	Link—Control						
836	93559	Screw—Muffler Mounting						
851	221798	Terminal—Ignition Cable						
864	492591	Adapter Assy.— Muffler						
	Note:	492232 Adapter Assy.— Muffler Used on Type Nos. 0853, 0854, 0855.						
869	211172	Seat—Intake Valve (Standard) (Used On Code Date 88073100.)						
	Note:	210879 Seat—Intake Valve (Used Before Code Date 88080100.)						
870	211291	Seat—Exhaust Valve (Standard)						
871	262001	Guide—Exhaust Valve						
	Note:	63709 Guide—Intake Valve						
883	270774	Gasket—Muffler						
883A	272203	Gasket—Muffler						
916	280321	Gear Rack—Governor						