

112700 to 112799

Illustrated Parts List

Model Series

112700 to 112799

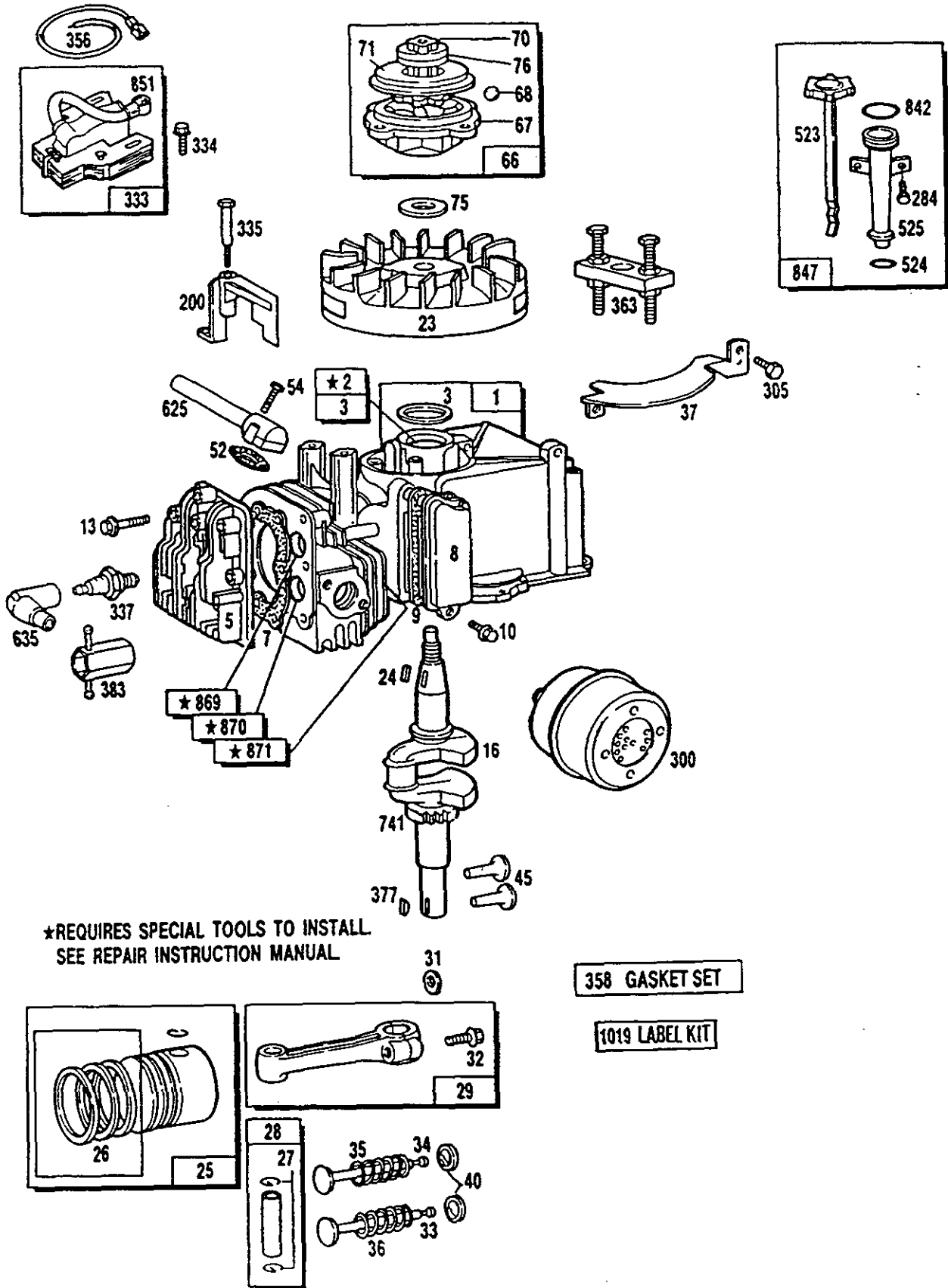
Compliance

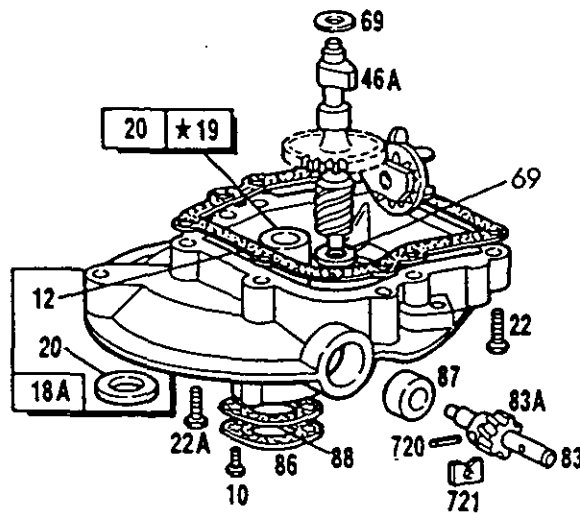
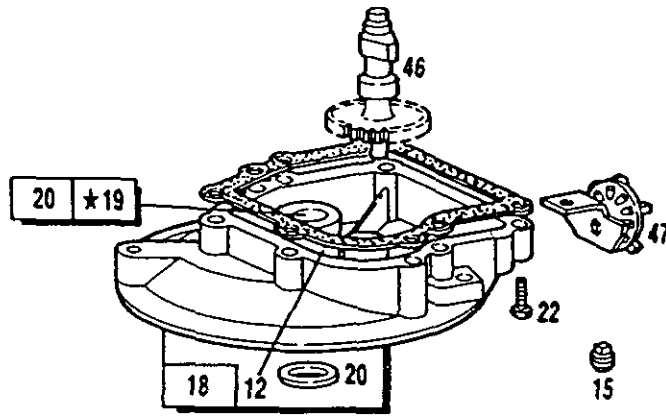
TYPE NUMBERS
3000
3060 through 3065

TO FIND
THE CORRECT NUMBER OF THE PART YOU NEED:
FOLLOW THE INSTRUCTIONS BELOW

- A. Refer to Engine Model, Type and Code Number that is stamped on the blower housing of engine. Engine type numbers such as 012301 are listed herein only as 0123 in most instances. The two digits (01 or 02, etc.) to the right of the space may be needed for more accurate parts identification. Then use the Illustrated Parts List covering the Model Series.
- B. Refer to Illustrated Parts section and compare the old part with illustration. The number on the illustration is the Reference Number. Assemblies include all parts shown in frames. All parts shown in assembly frames on which individual reference numbers are given can be purchased separately.
- C. After the Reference Number has been identified, refer to the Numerical Parts List, where Reference and Master Part Number are listed. **THE MASTER PART IS USED ON ALL TYPE NUMBERS EXCEPT THOSE TYPE NUMBERS UNDER "NOTE."**
- D. If a "Note" appears below the Master Part Number, this means that this part differs from the Master Part for certain types. If the Type number is listed under "Note," order the part referred to.
- E. If the Engine Type Number does not appear after any part number listed under "Note," use the Master Part Number.
- F. For Type Numbers higher than those covered by this book, please refer to the factory if you are unable to identify the part by comparison.

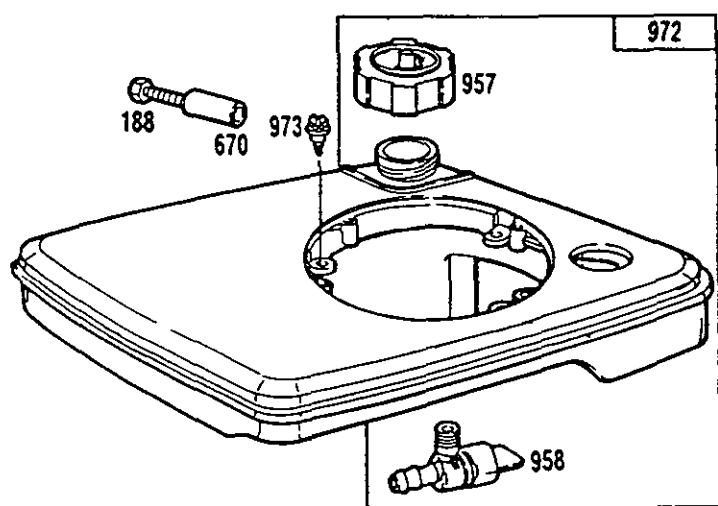
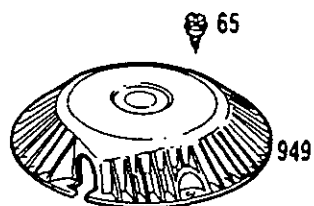
112700 to 112799





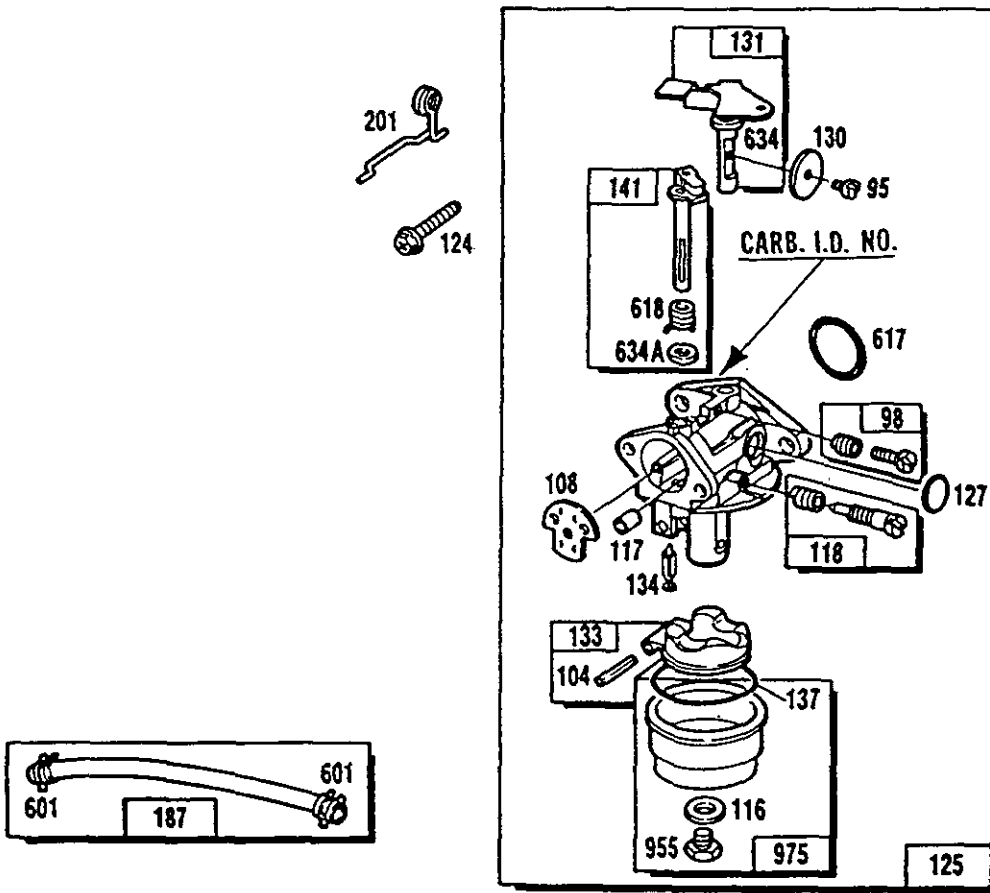
★REQUIRES SPECIAL TOOLS TO INSTALL.
SEE REPAIR INSTRUCTION MANUAL.

112700 to 112799



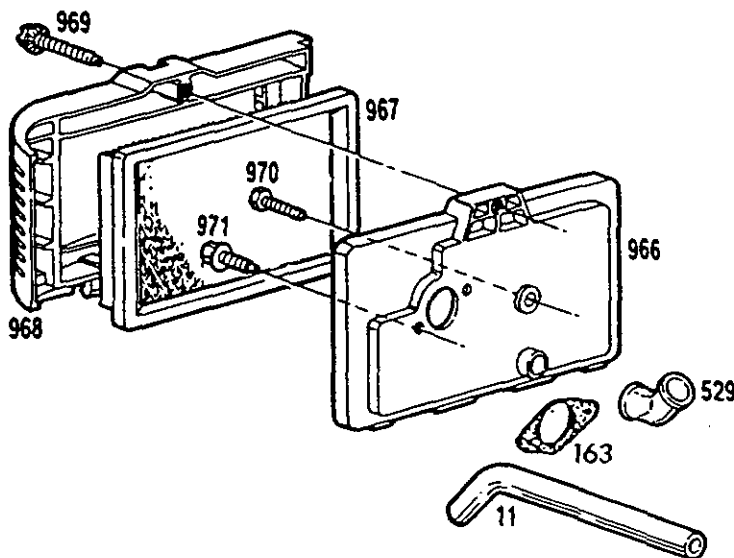
REF. 972
FUEL TANKS FOR ENGINES WITH REWIND START ONLY

Color	Black	Grey	Amer. Red (I/C)	Sun Yellow	Light Fawn
Part No.	490622	490808	490806	490804	491045

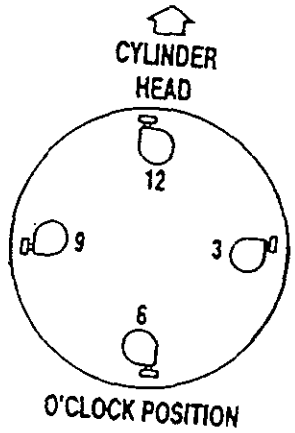
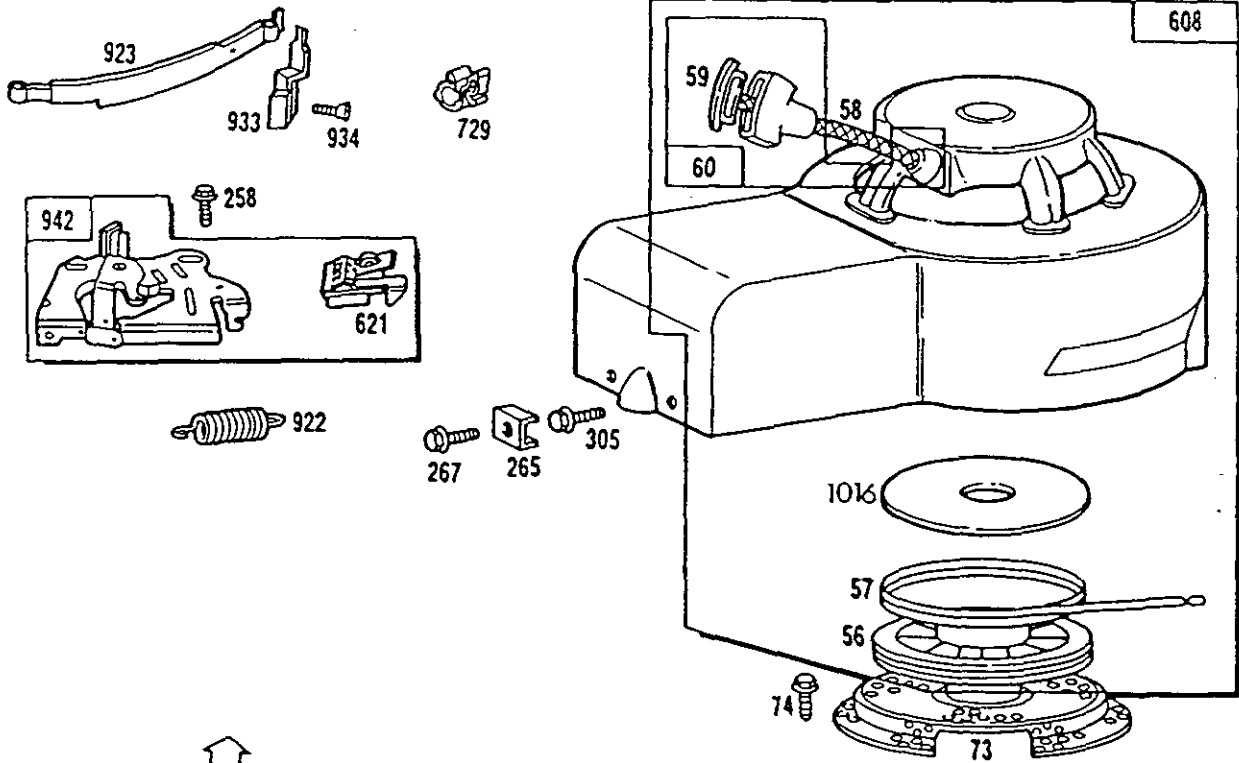


121 CARBURETOR OVERHAUL KIT

977 CARBURETOR GASKET SET



112700 to 112799



	CLOCK POSITIONS			
1:30	4	6	9	12
		398176	398005	398004

112700 to 112799

REF. NO.	PART NO.	DESCRIPTION	REF. NO.	PART NO.	DESCRIPTION	REF. NO.	PART NO.	DESCRIPTION			
1	398477	Cylinder Assembly	25	396455	Piston-Assy.-Standard	52	*270844	Gasket-Intake Elbow			
2	293708	Bushing-Cylinder		396456	Piston Assy.-.010" O.S.	54	93485	Screw-Intake Elbow Mounting			
		Note: Requires Special Tools for Installation.		396457	Piston Assy.-.020" O.S.	56	280469	Pulley-Starter			
3	299819	Seal-Oil		396458	Piston Assy.-.030" O.S.	57	490179	Spring-Rewind Starter			
5	212996	Head-Cylinder	MODEL 112700 SERIES PISTON RING SETS: Note: For Chrome Piston Ring Set-Standard Size-Order Part No. 392330.			58	280406	Rope-Rewind Starter (81" Long)			
7	*270836	Gasket-Cylinder Head								Note: if Longer Rope is Needed, Order No. 280399 and Cut to Required Length. Order 66734 For 48-5/8" Long Rope	
8	298383	Breather-Valve Chamber				26	396459	Ring Set-Standard Piston	59	396892	Insert-Starter Grip
9	*270239	Gasket-Valve Cover					396460	Ring Set-.010" O.S. Piston	60	393152	Grip-Starter Rope
10	93394	Screw-Breather and P.T.O. Gear Cover (Ref. No. 86) Mounting Sem					396461	Ring Set-.020" O.S. Piston	65	94058	Screw-Cover Mounting
11	231392	Tube-Breather					396462	Ring Set-.030" O.S. Piston	66	399671	Clutch Assembly-Rewind Starter
12	*270833	Gasket-Sump .015" Thick (Standard)				27	26026	Lock-Piston Pin	67	394897	Housing-Starter Clutch
	*270895	Gasket-Sump .005" Thick				28	391649	Pin Assembly-Piston-Standard	68	63770	Ball-Clutch
	*270896	Gasket-Sump .009 Thick					394861	Pin Assembly-Piston-.005" O.S.	69	66874	Washer-Thrust (11/16" O.D. x 15/32" I.D.)
13	93111	Screw-Cylinder Head (1-15/16" Long)				29	391640	Rod Assy.-Connecting			Note: 68938 Washer-Thrust (13/16" O.D. x 17/32" I.D.) Used on Auxiliary Drive P.T.O. Camshaft and is Located Next to the Worm Gear.
15	91084	Plug-Oil Drain		Note: For Connecting Rod With .020" Undersize Crankpin Bore-Order No. 393710.	70	298799	Ratchet-Rewind Starter				
16	492093	Crankshaft	31	222282	Washer-Flat (One for Each Screw)	71	394506	Washer-Clutch Retainer			
		Note: To Replace Crankshaft Gear Pin, Order Part No. 230978.	32	94405	Screw-Connecting Rod	73	221661	Screen-Starter Pulley			
		492094 Crankshaft Used on Type Nos. 3060, 3065.	33	212004	Valve-Exhaust	74	93490	Screw-Sem			
18	395384	Sump-Engine	34	261233	Valve-Intake	75	220865	Washer			
18A	395390	Sump-Engine Used on Model 112782 to 112788 Series Engines.	35	260552	Spring-Intake Valve	76	68238	Washer-Ratchet Sealing			
19	293709	Bushing-Engine Sump	36	26478	Spring-Exhaust Valve	83	230831	Shaft-Drive			
		Note: Requires Special Tools for Installation.	37	223150	Guard-Flywheel			Note: 231213 Shaft-Drive Used on Type Nos. 3061, 3062.			
20	391483	Seal-Oil	40	93312	Retainer-Valve Spring Used With Valves With Groove in Stem.	83A	231278	Gear-Drive			
22	93032	Screw-Mtg. Sem	45	261250	Tappet-Valve			Note: 231279 Gear-Drive Used on Type Nos. 3061, 3062.			
22A	93415	Screw-Sem (One Used in Auxiliary Drive Gear Sump) on Model 112782 to 112788 Series Engines.	46	395856	Gear-Cam	86	221780	Cover-Sump			
23	395653	Flywheel-Magneto	46A	395904	Cam Gear, Worm and Oil Slinger Assembly	87	391484	Seal-Oil			
24	222698	Key-Flywheel		Note: 395906 Cam Gear, Worm and Oil Slinger Assembly Used on Type No. 3061.	88	270328	Gasket-Base Cover				
			47	294652	Oil Slinger Gear and Bracket						

* Included in Gasket Set-Part No. 493263.

• Included in Carburetor Overhaul Kit See Ref. 121.

◆ Included in Carburetor Gasket Set-Part No. 490937.

112700 to 112799

REF. NO.	PART NO.	DESCRIPTION	REF. NO.	PART NO.	DESCRIPTION	REF. NO.	PART NO.	DESCRIPTION
95	94098	Screw-Throttle Valve Mounting			Note: 398184 Shaft Assembly-Throttle (Used Before Code Date 87081700).			Note: if Longer Casing is Needed, Specify Length in Inches; if a Shorter Casing is Needed, Order No. 66986 and Cut to Required Length.
98	398185	Screw-Idle Adjustment						
104	•231371	Pin-Float Hinge						
108	223471	Valve-Choke	133	398187	Float Assy.-Carburetor			
116	♦♦	Gasket-Sealing (Available in Kit Only)	134	•398188	Valve-Inlet (Includes Seat)			
117	•	Jet-Main (Available in Kit Only)	137	♦♦	Gasket-Bowl (Available in Kit Only)	269	26099	Wire Control, 54" Long
118	•492500	Valve and Spring-Needle (For LMS-11)	141	398186	Shaft-Choke			Note: if Longer Wire is Needed, Specify Length in Inches; if Shorter Wire is Needed, Order No. 26099 and Cut to Required Length.
	•398670	Valve and Spring-Needle (For LMS-3)	163	271840	Gasket-Air Cleaner			
	•398157	Valve and Spring-Needle (For LMS-1) (See Carburetor Illustration For Location of LMS I.D. Number)	187	393815	Hose-Fuel			
121	492495	Carburetor Overhaul Kit (For LMS-11)	188	398540	Screw-Fuel Tank Mounting (Includes Washer)	270	63426	Locknut-Control Wire Casing
	398669	Carburetor Overhaul Kit (For LMS-3)	200	68388	Blade-Governor	271	290568	Lever Assembly-Control
	398158	Carburetor Overhaul Kit (For LMS-1) (See Carburetor Illustration For Location of LMS I.D. Number)	201	262365	Link-Governor (Used After Code Date 87081600).	284	94073	Screw-Clamp Mounting
124	94119	Screw-Carb. Mtg.			Note: 262043 Link-Governor (Used Before Code Date 87081700).	300	394569	Muffler-Exhaust
125	492545	Carburetor Assembly (For LMS-11)	209	260875	Spring-Governor	305	94153	Screw-Sem
	Note: 491331	Carburetor Assembly (For LMS-1) (Used After Code Date 87081600).			Note: 261060 Spring-Governor Used on Type No. 3065.	333	398593	Armature-Magneto
	492498	Carburetor Assembly (For LMS-3) (Used Before Code Date 87081700).			261105 Spring-Governor Used on Type Nos. 3060, 3061, 3062, 3063.	334	93381	Screw-Armature Mounting Sem
127	•	Plug-Welch (Available in Kit Only)			261320 Spring-Governor Used on Type No. 3064.	335	93435	Screw-Armature and Governor Blade Mounting Sem
130	223470	Valve-Throttle	258	94018	Screw-Hex. Head	337	298809	Plug-Spark (with Gasket) (1-1/2" High, 37 mm)
131	491333	Shaft Assembly-Throttle (Used After Code Date 87081600).	265	22372	Clamp-Casing	356	398808	Wire-Ground
					Note: 221535 Clamp Casing Used on Type No. 3000.	358	391662	Gasket Set
			267	93686	Screw-Clamp Mtg.	363	19069	Puller-Flywheel
			268	66986	Casing-Control Wire-48" Long	377	93065	Key-Woodruff No. 6
						383	89838	Wrench-Spark Plug
						523	398012	Cap With Dipstick-Oil Filler
						524	271485	Seal-Filter Tube
						525	280504	Tube-Oil Filler
						529	280524	Grommet-Breather
						601	93053	Clamp-Hose
						608		Starter Assy.-Rewind See Chart on Illustrated Pages.
						617	♦♦270344	Seal-Fuel Intake Tube
						618	262035	Spring-Choke

* Included in Gasket Set-Part No. 493263.

• Included in Carburetor Overhaul Kit See Ref. 121.

♦ Included in Carburetor Gasket Set-Part No. 490937.

112700 to 112799

REF. NO.	PART NO.	DESCRIPTION	REF. NO.	PART NO.	DESCRIPTION	REF. NO.	PART NO.	DESCRIPTION
620	398181	Plate-Carburetor Control Used on Model 112702 and 112782 Series Engines.	869	211172	Seat-Intake Valve (Standard) (Used After Code Date 88073100). Note: 210879 Seat-Intake Valve (Used Before Code Date 88080100).	934	94037	Screw-Band Brake Pivot
621	396847	Switch-Stop				942	493248	Control Plate-Band Brake
625	397973	Tube-Fuel Intake				949	280502	Cover-Static-Gard (Rewind)
634	♦♦	Washer-Throttle Shaft (Available in Kit Only)	870	211291	Seat-Exhaust Valve (Standard)	955	231373	Screw-Bowl Mounting
634A	♦♦	Seal-Choke Shaft (Available in Kit Only)	871	262001	Guide-Exhaust Valve Note: 63709 Guide-Intake Valve See Repair Instruction Manual	957	397974	Cap Assy.-Fuel Tank
670	280512	Spacer-Fuel Tank				958	399517	Valve-Fuel Shut-Off
674	94117	Screw-Bracket to Cylinder				966	399059	Base-Air Cleaner
720	93474	Pin-Gear to Shaft				967	397795	Filter-Air
721	221779	Stop-Drive Shaft	916	280993	Rack-Gear (Used After Code Date 89033100). Note: 280522 Rack-Gear (Used Before Code Date 89040100).	968	280501	Cover-Air Cleaner
729	280470	Clip-Wire				969	94120	Screw-Cover Mtg.
741	261533	Gear-Timing				970	94118	Screw-Hex. Head
842	270920	Seal-Filler Cap				971	94121	Screw-Air Cleaner
847	398010	Filler Group-Oil				972		Tank Assy.-Fuel See Chart on Illustrated Pages
851	221798	Terminal-Ignition Cable	922	261647	Spring-Band Brake	973	94114	Screw-Hex. Head
			923	394867	Brake Assembly-Band	975	398191	Bowl Assy.-Carburetor
			933	223448	Pivot-Band Brake	977	398183	Gasket Set-Carburetor
						1016	490817	Spacer
						1019	491081	Label Kit

★ Included in Gasket Set-Part No. 493263.

• Included in Carburetor Overhaul Kit
See Ref. 121.

♦ Included in Carburetor Gasket Set-Part No. 490937.



BRIGGS & STRATTON

®