

**112900 to 112999**

## **Illustrated Parts List Model Series**

### **112900 to 112999**

#### **Compliance**

TYPE NUMBERS  
3111, 3130, 3131,  
3133, 3134, 3911,  
3912, 3913.

#### **Non-Compliance**

TYPE NUMBERS  
0111

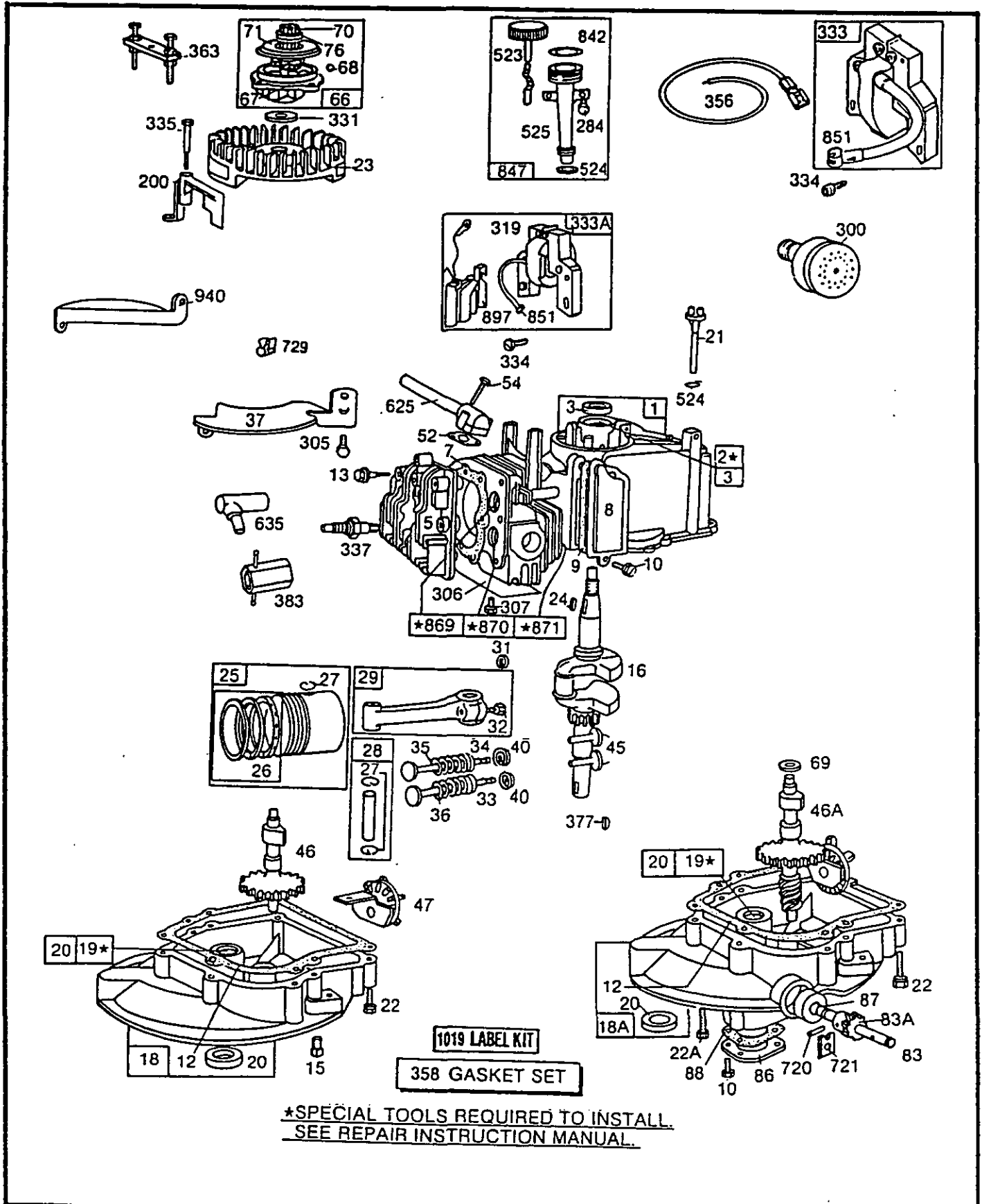
#### **TO FIND THE CORRECT NUMBER OF THE PART YOU NEED: FOLLOW THE INSTRUCTIONS BELOW**

- A. Refer to Engine Model, Type and Code Number that is stamped on the blower housing of engine. Engine type numbers such as 012301 are listed herein only as 0123. The two digits (01 or 02, etc.) to the right of the space are not needed for parts identification. Then use the Illustrated Parts List covering the Model Series.
- B. Refer to Illustrated Parts section and compare the old part with illustration. The number on the illustration is the Reference Number. Assemblies include all parts shown in frames. All parts shown in assembly frames on which individual reference numbers are given can be purchased separately.
- C. After the Reference Number has been identified, refer to the Numerical Parts List, where Reference and Master Part Number are listed. **THE MASTER PART IS USED ON ALL TYPE NUMBERS EXCEPT THOSE TYPE NUMBERS UNDER "NOTE."**
- D. If a "Note" appears below the Master Part Number, this means that this part differs from the Master Part for certain types. If the Type number is listed under "Note," order the part referred to.
- E. If the Engine Type Number does not appear after any part number listed under "Note," use the Master Part Number.
- F. For Type Numbers higher than those covered by this book, please refer to the factory if you are unable to identify the part by comparison.

**BRIGGS & STRATTON**

®

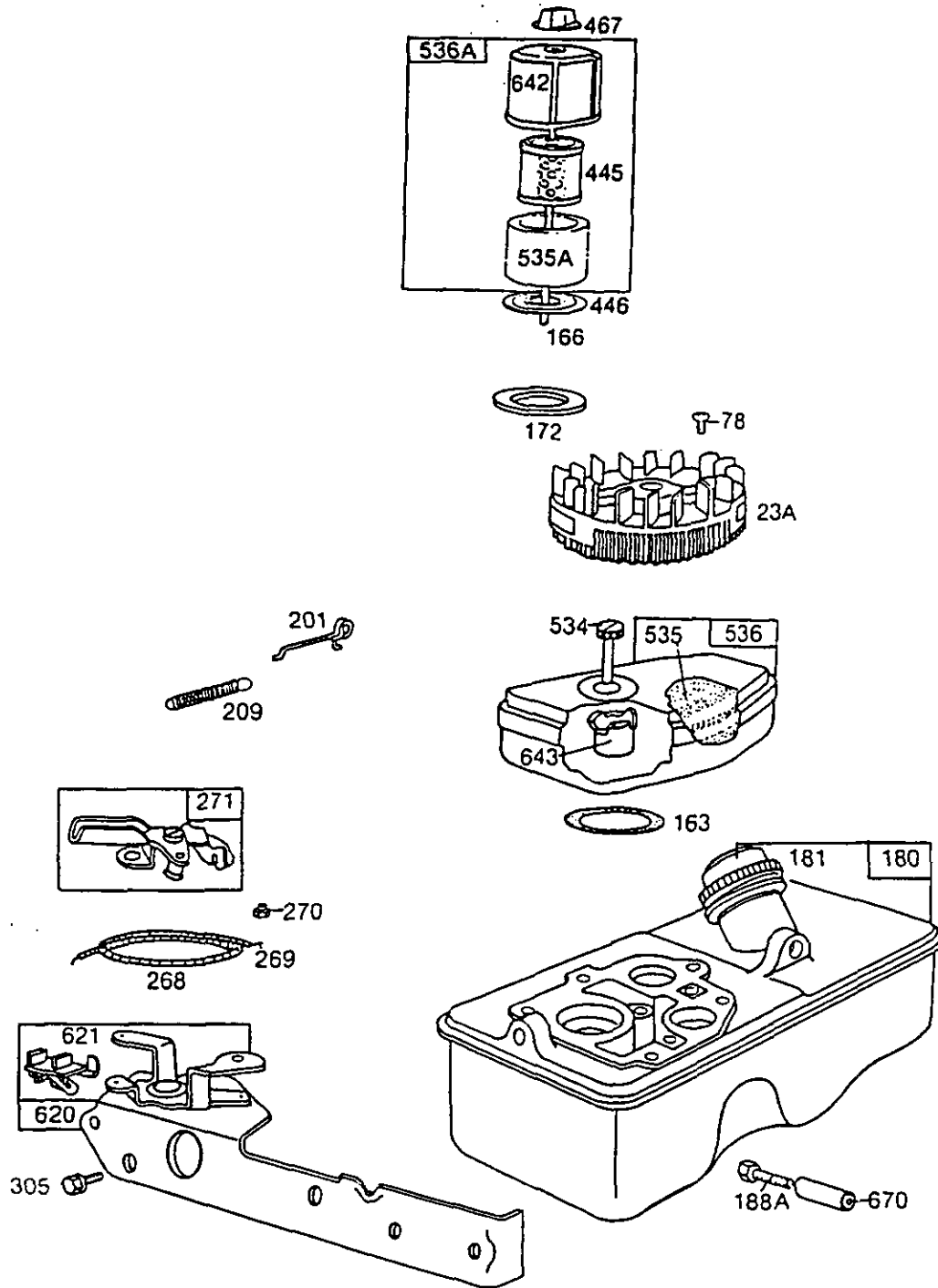
# 112900 to 112999



**\*SPECIAL TOOLS REQUIRED TO INSTALL.  
SEE REPAIR INSTRUCTION MANUAL.**



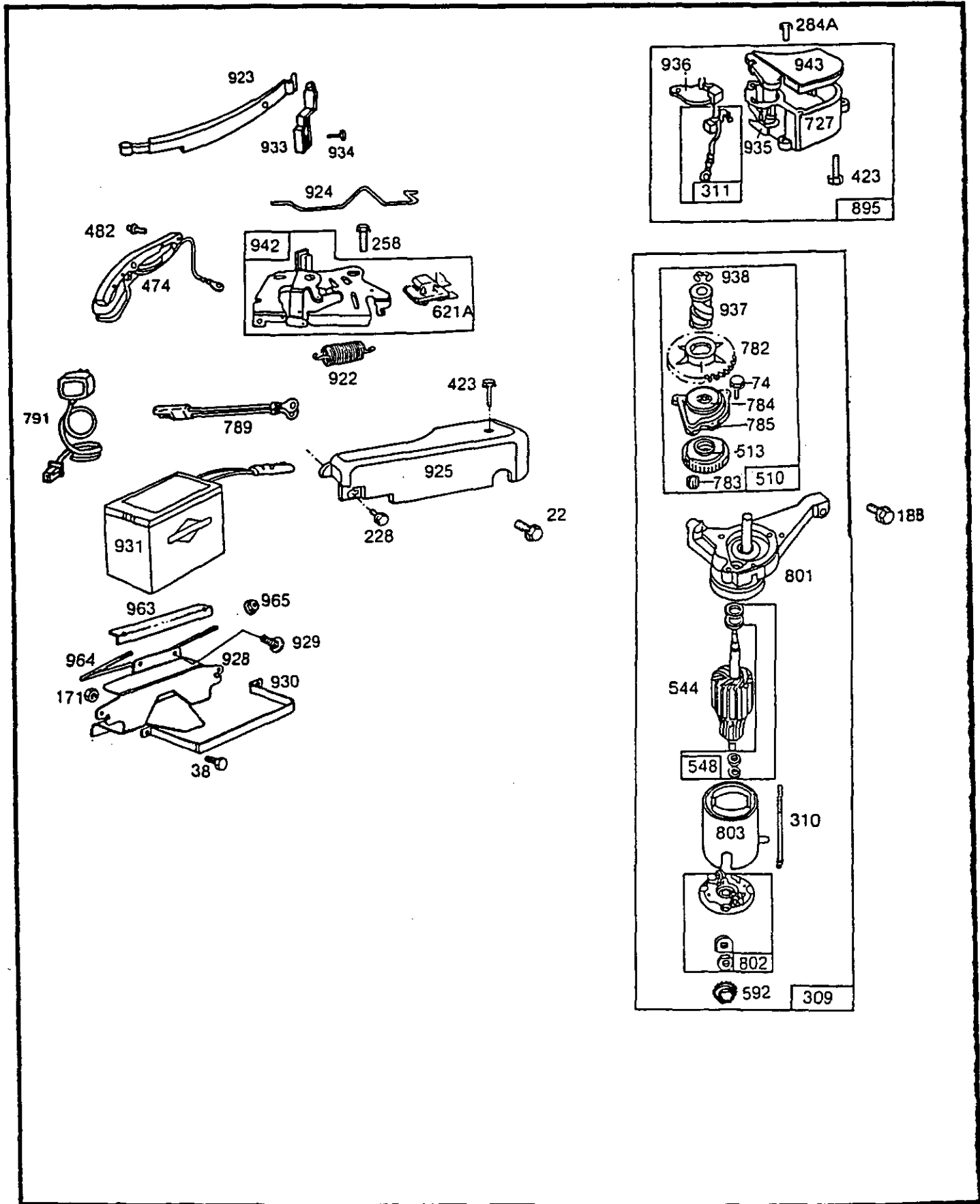
# 112900 to 112999



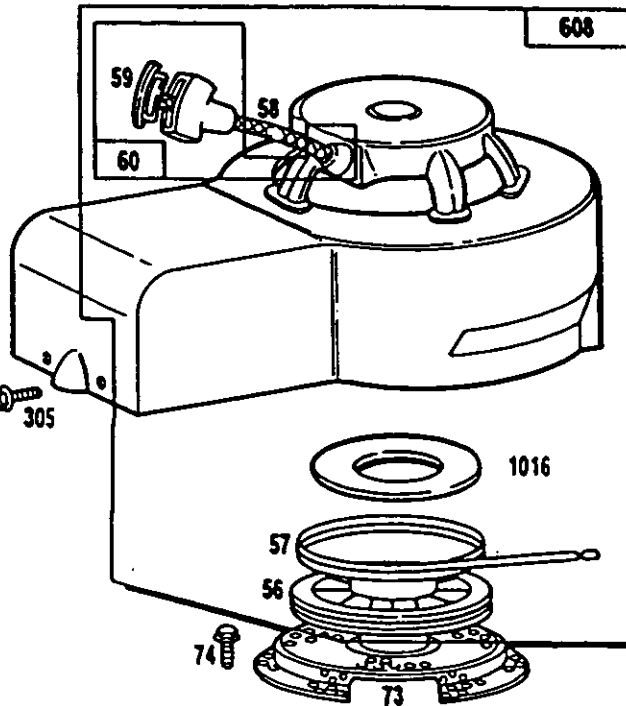
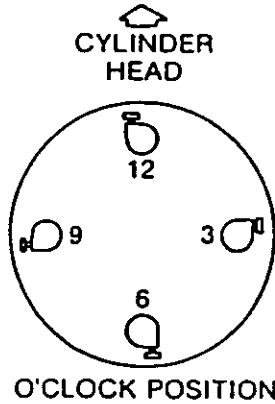
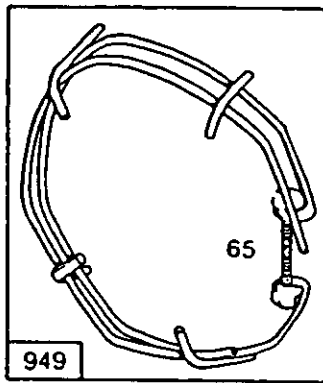
8642-3

Assemblies include all parts shown in frames.

129



# 112900 to 112999



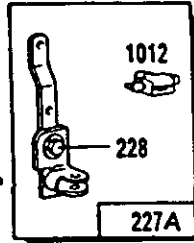
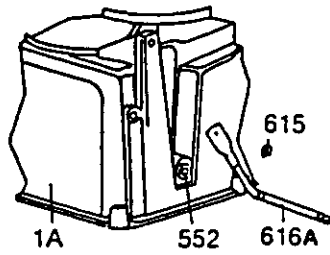
## REWIND STARTER ASSEMBLIES FOR NON-BAND BRAKE ENGINES

CLOCK POSITIONS			
1:30	5	6	12
			396532

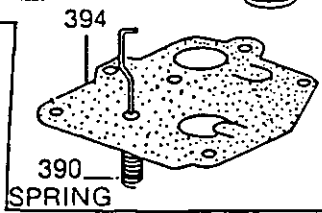
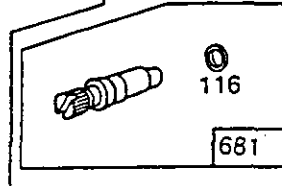
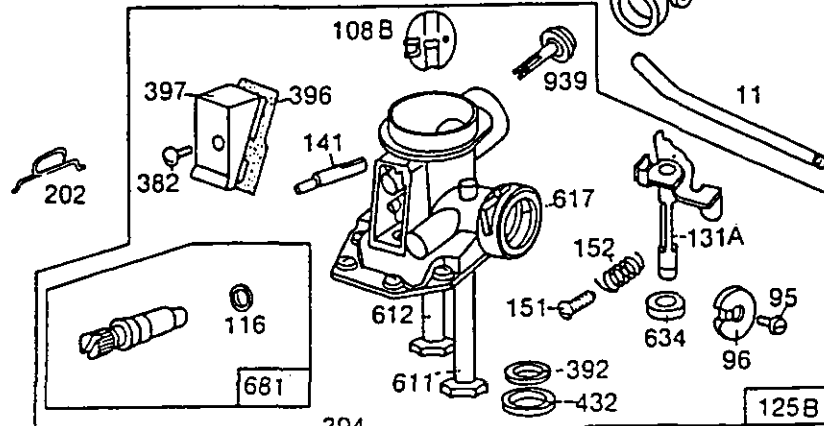
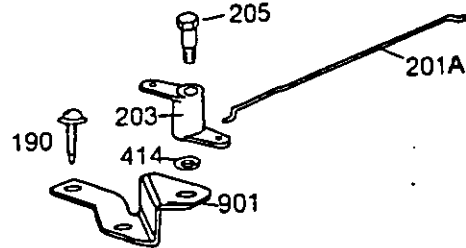
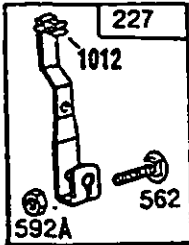
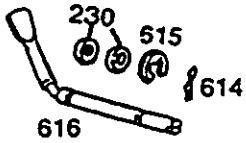
## REWIND STARTER ASSEMBLIES FOR BAND BRAKE

CLOCK POSITIONS			
1:30	5	6	12
	396674	*396413	*396673

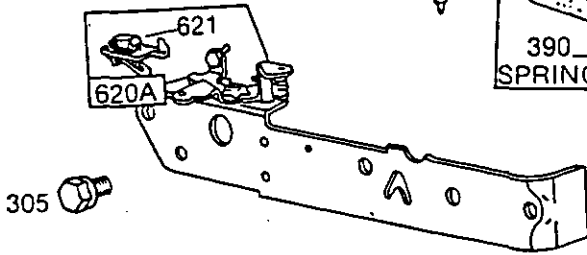
\*See Text for Specials.



SPECIAL PARTS FOR 3900 SERIES.  
(MECHANICAL GOVERNOR)



THERMOSTATICALLY  
CONTROLLED



# 112900 to 112999

REF. NO.	PART NO.	DESCRIPTION	REF. NO.	PART NO.	DESCRIPTION	REF. NO.	PART NO.	DESCRIPTION
1	399165	Cylinder Assembly (Used After Code Date 85073100.) <b>Note:</b> 397611 Cylinder Assy. (Used Before Code Date 85080100.)	21	280485	Gage—Oil Filler Plug (Used After Code Date 85073100.) <b>Note:</b> 280381 Gage—Oil Filler Plug (Used Before Code Date 85080100.)	37	223150	Guard—Flywheel
1A	399162	Cylinder Assembly (Mechanical Governor)	22	93032	Screw—Sump Mtg. Sem	38	93777	Screw—Battery Bracket
2	293708	Bushing—Cylinder <b>Note:</b> Requires special tools for installation.	22A	93415	Screw—Sem One used in Auxiliary Drive Gear Sump on Model 112982 to 112988 Series.	40	93312	Retainer—Valve Spring Used with valves with groove in stem.
3	299819	Seal—Oil	23	395653	Flywheel—Magneto	45	261250	Tappet—Valve
5	211851	Head—Cylinder	23A	394848	Flywheel—Magneto	46	395856	Gear—Cam
7	* 270836	Gasket—Cylinder Hd.	24	222698	Key—Flywheel	46A	396052	Cam Gear, Worm and Oil Slinger Assy. <b>Note:</b> 395906 Cam Gear, Worm and Oil Slinger Assembly (Counterclockwise) Used on Type No. 3134.
8	298383	Breather—Valve Chamber	25	396455	Piston Assy.—Standard	47	294652	Oil Slinger Gear and Bracket <b>Note:</b> 394044 Oil Slinger Assembly Used on Type No. 3911.
9	* 270239	Gasket—Valve Cover		396456	Piston Assy.—.010" O.S.			
10	93394	Screw—Breather and P.T.O. Gear Sump Cover (Ref. No. 86) Mounting Sem		396457	Piston Assy.—.020" O.S.			
11	231292	Tube—Breather		396458	Piston Assy.—.030" O.S.			
11A	231043	Tube—Breather	<b>MODEL 112900 SERIES PISTON RING SETS:</b>			52	* 270844	Gasket—Intake Elbow
12	* 270833	Gasket—Crankcase—.015" thick (Standard)		<b>Note:</b>	For Chrome Piston Ring Set—Standard Size—Order Part No. 392330.	54	93485	Screw—Intake Elbow Mounting
	* 270895	Gasket—Crankcase—.005" thick	26	396459	Ring Set—Std. Piston	56	280117	Pulley—Starter
	* 270896	Gasket—Crankcase—.009" thick		396460	Ring Set—.010" O.S. Piston	57	490179	Spring—Rewind Starter
13	93111	Screw—Cylinder Hd. (1-15/16" long)		396461	Ring Set—.020" O.S. Piston	58	280406	Rope—Rewind Starter—81" long <b>Note:</b> If longer rope is needed, Order No. 280399 and cut to required length. Order 66734 for 48-5/8" long rope.
15	91084	Plug—Oil Drain		396462	Ring Set—.030" O.S. Piston	59	396892	Insert—Starter Grip
16	492093	Crankshaft <b>Note:</b> To Replace Crankshaft Gear Pin, Order Part No. 230978. 261324 Crankshaft Used on Type Nos. 0111, 3111. 492087 Crankshaft Used on Type Nos. 3130, 3133. 492094 Crankshaft Used on Type No. 3131.	27	26026	Lock—Piston Pin	60	393152	Grip—Starter Rope
18	395384	Sump—Engine	28	391649	Pin Assembly—Piston—Standard	65	94124	Screw—Guard Retaining
18A	395390	Sump—Engine Used on Model 112982 to 112988 Series.		394861	Pin Assembly—Piston—.005" O.S.	66	399671	Clutch Assembly—Rewind Starter
19	293709	Bushing—Engine Sump <b>Note:</b> Requires special tools for installation.	29	391640	Rod Assembly—Connecting <b>Note:</b> For Connecting Rod with .020" undersize Crankpin Bearing—Order No. 393710.	67	394897	Housing—Starter Clutch
20	391483	Seal—Oil	31	222282	Washer—Flat (One for Each Screw)	68	63770	Ball—Clutch
			32	94405	Screw—Connecting Rod	69	66874	Washer—Thrust (11/16" O.D. x 15/32" I.D.) <b>Note:</b> 68938 Washer—Thrust (13/16" O.D. x 17/32" I.D.) Used on Auxiliary Drive P.T.O. Camshaft and is Located next to the Worm Gear.
			33	212004	Valve—Exhaust			
			34	261233	Valve—Intake			
			35	260552	Spring—Intake Valve			
			36	26478	Spring—Exhaust Valve			

\* Included in Gasket Set—Part No. 391662



# 112900 to 112999

REF. NO.	PART NO.	DESCRIPTION	REF. NO.	PART NO.	DESCRIPTION	REF. NO.	PART NO.	DESCRIPTION
70	298436	Ratchet—Rewind Starter	131A	394035	Shaft and Lever—Throttle	267	93469	Screw—Clamp Mtg.
71	394506	Washer—Clutch Retainer (Rubber Coated)	141	68908	Shaft—Choke	268	66986	Casing—Control Wire—48" long
	<b>Note:</b>	221653 Washer—Clutch Retainer (Non-Coated)	151	93524	Screw—Rd. Hd.—5-40 x 1/2		<b>Note:</b>	If longer casing is needed, specify length in inches; if a shorter casing is needed, order No. 66986 and cut to required length.
73	221661	Screen—Starter Pulley	152	260746	Spring—Throttle Adj.	269	26099	Wire Control, 54" long
74	† 93490	Screw—Sem	163	271139	Gasket—Air Cleaner Mounting		<b>Note:</b>	If longer wire is needed, specify length in inches; if shorter wire is needed, order No. 26099 and cut to required length.
76	68238	Washer—Ratchet Sealing	166	231332	Stud—Air Cleaner	270	63426	Locknut—Control Wire Casing
78	93490	Screw—Screen Mtg.	171	93203	Nut—5/16-18	271	290568	Lever Assembly—Control
83	230831	Shaft—Drive	172	271077	Gasket—Air Cleaner	284	94073	Screw—Clamp Mounting
	<b>Note:</b>	230870 Shaft—Drive Used on Type Nos. 3912, 3913.	180	396781	Tank Assembly—Fuel	284A	93892	Screw—Cover to Starter Motor
		230948 Shaft—Drive Used on Type No. 3134.	181	391494	Cap—Fuel Tank (Chrome)	300	394569	Muffler—Exhaust
83A	231278	Gear—Drive	188	93585	Screw—Fuel Tank and Starter Mounting	305	94153	Screw—Sem
	<b>Note:</b>	231279 Gear—Drive (Counterclockwise) Used on Type No. 3134.	188A	94102	Screw—Hex. Hd. Sem	306	222394	Shield—Cylinder
86	221780	Cover—Sump	190	93440	Screw—Fuel Tank Mtg.	307	93490	Screw—Sem
87	391484	Seal—Oil	200	68388	Blade—Governor	309	396439	Motor—Starter
88	270328	Gasket—Sump Cover	201	261027	Link—Governor	310	94051	Bolt—Starter Motor
95	93499	Screw—Throttle Valve Mounting Sem	201A	261918	Link—Governor	311	395728	Brush Kit—Starter Motor
96	211237	Valve—Throttle	202	261897	Link—Throttle	319	298502	Armature Assy. (Less Trigger Coil)
108	280370	Valve—Choke	203	280272	Crank—Bell	331	220865	Washer—Flywheel
	<b>Note:</b>	280429 Valve—Choke Used on Type Nos. 3130, 3131, 3133, 3134.	205	231520	Screw—Shoulder (Used after Code Date 86112300.)	332	92284	Nut—Flywheel
108A	280178	Valve—Choke		<b>Note:</b>	93838 Screw—Shoulder (Used before Code Date 86112400.)	333	398593	Armature—Magneto
108B	280429	Valve—Choke	209	260875	Spring—Governor	333A	398593	Armature—Magneto
116	280203	O-Ring		<b>Note:</b>	261060 Spring—Governor Used on Type Nos. 3130, 3134.	334	93381	Screw—Armature Mounting Sem
125	395957	Carburetor Assembly			261105 Spring—Governor Used on Type No. 3131, 3133.	335	93435	Screw—Armature and Governor Blade
	<b>Note:</b>	397178 Carburetor Assembly Used on Type Nos. 3130, 3131, 3133, 3134.			261935 Spring—Governor Used on Type Nos. 3911, 3912, 3913.	337	298809	Plug—Spark (with Gasket) (1-1/2" high, 37-42 mm.)
125A	395957	Carburetor Assembly	227	491482	Lever Assy.—Governor (Used After Code Date 88011000.)		<b>Note:</b>	293918 Plug—Spark (with Gasket) 1-1/2" high (Resistor Type)
125B	396336	Carburetor Assembly	227A	491481	Lever Assy.—Governor (Used Before Code Date 88011100.)	356	398808	Wire—Ground
	<b>Note:</b>	397180 Carburetor Assembly Used on Type No. 3911.	228	93490	Screw—Hex Head	358	391662	Gasket Set
131	299977	Shaft and Lever—Throttle	228A	93758	Screw—Hex Head			
			230	220680	Washer			
			258	94018	Screw—Hex Head			
			265	22372	Clamp—Casing			

† Included in Starter Drive Kit—Part No. 395727

# 112900 to 112999

REF. NO.	PART NO.	DESCRIPTION	REF. NO.	PART NO.	DESCRIPTION	REF. NO.	PART NO.	DESCRIPTION
363	19069	Puller—Flywheel (Optional Accessory)	562	92613	Bolt—Carriage (Governor Lever)			<b>Note:</b> 94047 Spacer—Fuel Tank (13/16" long) Used on Type Nos. 1000 and below.
377	93065	Key—Woodruff No. 6	592	93991	Nut—Hex.—10-24	681	395508	Needle Valve Kit
382	93545	Screw—Choke Link Cover	592A	231082	Nut, Hex.	681A	393451	Needle Valve Kit
383	89838	Wrench—Spark Plug	608		Starter Assy.—Rewind See Chart on Illustrated Pages.	720	93474	Pin—Gear to Shaft
390	261249	Spring—Diaphragm			<b>Note:</b> 396017 Starter Assy.— Rewind (12 o'clock) Used on Type No. 3911.	721	221779	Stop—Drive Shaft
392	260455	Spring—Fuel Pump Diaphragm			397697 Starter Assy.— Rewind (Electric) (6 o'clock) Used on Type No. 3912.	727	280336	Base—Electric Starter Cover
394	391643	Diaphragm Carburetor	611	297219	Pipe—Fuel (long)	729	280470	Clip—Wire
396	270571	Gasket—Choke Link Cover	612	296811	Pipe—Fuel (short)	741	261533	Gear—Timing
397	211678	Cover—Choke Link	614	93306	Pin, Cotter	782	† 280038	Gear—Electric Starter Spur
414	223932	Washer (Used After Code Date 86112300.)	615	93307	Retainer—E-Ring	783	† 261606	Gear—Electric Starter Pinion
	<b>Note:</b>	220982 Washer (Used Before Code Date 86112400.)	616	491405	Crank—Governor (Used After Code Date 88011000.)	784	† 223123	Cover—Electric Starter Clutch Gear
423	94026	Screw—Hex Head	616A	394075	Crank—Governor (Used Before Code Date 88011100.)	785	† 271457	Gasket—Electric Starter Clutch Gear Cover
432	221377	Cap—Spring	617	270344	Seal—Fuel Intake Tube	789	396392	Harness Assembly— Wiring
445	396424	Cartridge—Air Cleaner	620	391442	Plate—Carburetor Control	791	395569	Charger—Battery (120 Volt)
446	222844	Base—Air Cleaner	620A	394642	Plate—Carburetor Control (Mechanical Governor)		<b>Note:</b>	395585 Charger— Battery (240 Volt) 493357 Adapter— Charger (For Use With 493359 Battery)
467	212706	Knob—Air Cleaner	621	396847	Switch—Stop (Used After Code Date 85032700.)	801	395851	Bracket Group— Drive End
474	397880	Stator Assy.— Alternator			<b>Note:</b> 297472 Switch—Stop (Used Before Code Date 85032700.)	802	396061	Cap Assembly—End
482	94016	Screw—Alternator Mounting	621A	396847	Switch—Stop	803	396051	Housing—Starter
482A	93621	Screw—Sem	625	391377	Tube—Fuel Intake	842	270920	Seal—Filler Cap
510	395727	Drive Kit—Starter	634	270167	Washer—Throttle Shaft (Felt)	847	399030	Filler Group—Oil (Used After Code Date 85073100.)
513	† 394815	Clutch Assembly	635	66538	Elbow—Spark Plug		<b>Note:</b>	395869 Filler Group—Oil (Used Before Code Date 85080100.)
523	396372	Cap with Dipstick— Oil Filler	642	223306	Cover—Air Cleaner	851	221798	Terminal—Ignition Cable
524	271485	Seal—Filler Tube	643	280374	Cup—Air Cleaner	869	211172	Seat—Intake Valve (Basic) (Used After Code Date 88073100.)
525	280578	Tube—Oil Filler (Used After Code Date 85073100.)	670	94038	Spacer—Fuel Tank (23/32" long) Used on Type Nos. 3000 and up.			
	<b>Note:</b>	280382 Tube—Oil Filler (Used Before Code Date 85080100.)						
529	280368	Grommet—Breather						
529A	67838	Grommet—Breather						
534	93374	Screw—Air Cleaner						
535	270848	Element—Air Cleaner						
535A	271466	Element—Air Cleaner						
536	391641	Cleaner Assy.—Air						
536A	396397	Cleaner Assy.—Air						
544	396058	Armature—Starter						
548	396067	Washer Set—Starter Motor						
552	230732	Bushing—Governor Shaft						

† Included in Starter Drive Kit—Part No. 395727

# 112900 to 112999

REF. NO.	PART NO.	DESCRIPTION	REF. NO.	PART NO.	DESCRIPTION	REF. NO.	PART NO.	DESCRIPTION
	<b>Note:</b>	<b>210879</b> Seat—Intake Valve (Used Before Code Date 8808100.)						
870	211291	Seat—Exhaust Valve (Basic)						
871	262001	Guide—Exhaust Valve						
	<b>Note:</b>	<b>63709</b> Guide—Intake Valve <b>See Repair Manual.</b>						
895	394767	Base and Cover Assy.—Starter						
897	394970	Trigger Coil Assy.						
901	480818	Bracket—Bell Crank						
922	261647	Spring—Band Brake						
923	394867	Brake Assembly—Band						
924	261881	Link—Starter Switch						
925	280363	Cover—Linkage						
928	223162	Bracket—Battery						
929	93980	Screw—Sem						
930	223161	Bracket Support—Battery						
931	395559	Battery—6 Volt						
933	223448	Pivot—Band Brake						
934	94037	Screw—Band Brake Pivot						
935	223128	Terminal—Switch						
936	280338	Actuator—Switch						
937	† 280366	Spline—Starter						
938	† 93941	Ring—Retaining						
939	395665	Shaft Assembly—Choke						
940	222403	Guard—Flywheel						
941	280395	Cover—Linkage						
942	493248	Control Plate—Band Brake						
943	280322	Top—Electric Starter Cover						
946	396526	Rope Guide Kit						
949	396579	Guard—Rewind Starter						
963	223502	Strap						
964	94107	Bolt—U						
965	94108	Nut						
1012	280414	Retainer—Link						
1016	490817	Spacer						
1019	491082	Label Kit						

† Included in Starter Drive Kit—Part No. 395727